



US00D361036S

United States Patent [19]

[11] Patent Number: **Des. 361,036**

Krupa

[45] Date of Patent: **** Aug. 8, 1995**

[54] **BERRY BOX**

[75] Inventor: **Calvin S. Krupa, Medina, Minn.**

[73] Assignee: **Ultra Pac, Inc., Rogers, Minn.**

[*] Notice: The portion of the term of this patent subsequent to Jan. 25, 2011 has been disclaimed.

[**] Term: **14 Years**

[21] Appl. No.: **14,482**

[22] Filed: **Oct. 25, 1993**

[52] U.S. Cl. **D9/424; D9/423; D9/425**

[58] Field of Search **D9/424, 423, 425, 432, D9/420, 430; 220/669, 670, 671, 674, 675, DIG. 27, 623, 4.22, 4.23, 339, 307, 326, 324, 334; 229/120, DIG. 14, 2.5 R**

D. 278,412 4/1985 Yeung .
 D. 282,245 1/1986 Yeung .
 D. 305,409 1/1992 Michaud et al. .
 D. 329,198 9/1992 Krupa .
 D. 332,917 2/1993 McDevitt et al. .
 D. 343,576 1/1994 Krupa D9/425 X
 3,005,572 10/1961 Gustafson et al. 220/671
 3,253,762 5/1966 Gaunt .
 3,326,408 6/1967 Ringlen .
 3,344,974 10/1967 Bostrom 206/518 X
 3,680,735 8/1972 Lucas 220/675 X
 3,987,829 10/1976 Leone 220/675 X
 4,113,095 9/1978 Dietz et al. 220/669 X
 4,664,281 5/1987 Falk et al. 220/669 X
 5,046,659 9/1991 Warburton .
 5,092,479 3/1992 Wells .

Primary Examiner—Prabhakar G. Deshmukh
Attorney, Agent, or Firm—Haugen and Nikolai

[56] **References Cited**
U.S. PATENT DOCUMENTS

D. 186,291 10/1959 Robinson .
 D. 194,560 2/1963 Ringlen .
 D. 195,375 6/1963 Bostrom .
 D. 200,178 1/1965 Barnes et al. .
 D. 224,587 8/1972 Jewell .
 D. 234,456 3/1975 Dearth et al. .
 D. 237,687 11/1975 Bernhardt .
 D. 262,866 2/1982 Commisso .
 D. 276,025 10/1984 Hexamer .
 d. 276,216 11/1984 Michaud .

[57] **CLAIM**

The ornamental design for the berry box, as shown and described.

DESCRIPTION

FIG. 1 is a perspective view of a berry box showing my new design;
 FIG. 2 is a front elevational view thereof; the rear elevational view being a mirror image thereof;
 FIG. 3 is a right side elevational view thereof;
 FIG. 4 is a left side elevational view thereof;
 FIG. 5 is a top plan view thereof; and,
 FIG. 6 is a bottom plan view thereof.

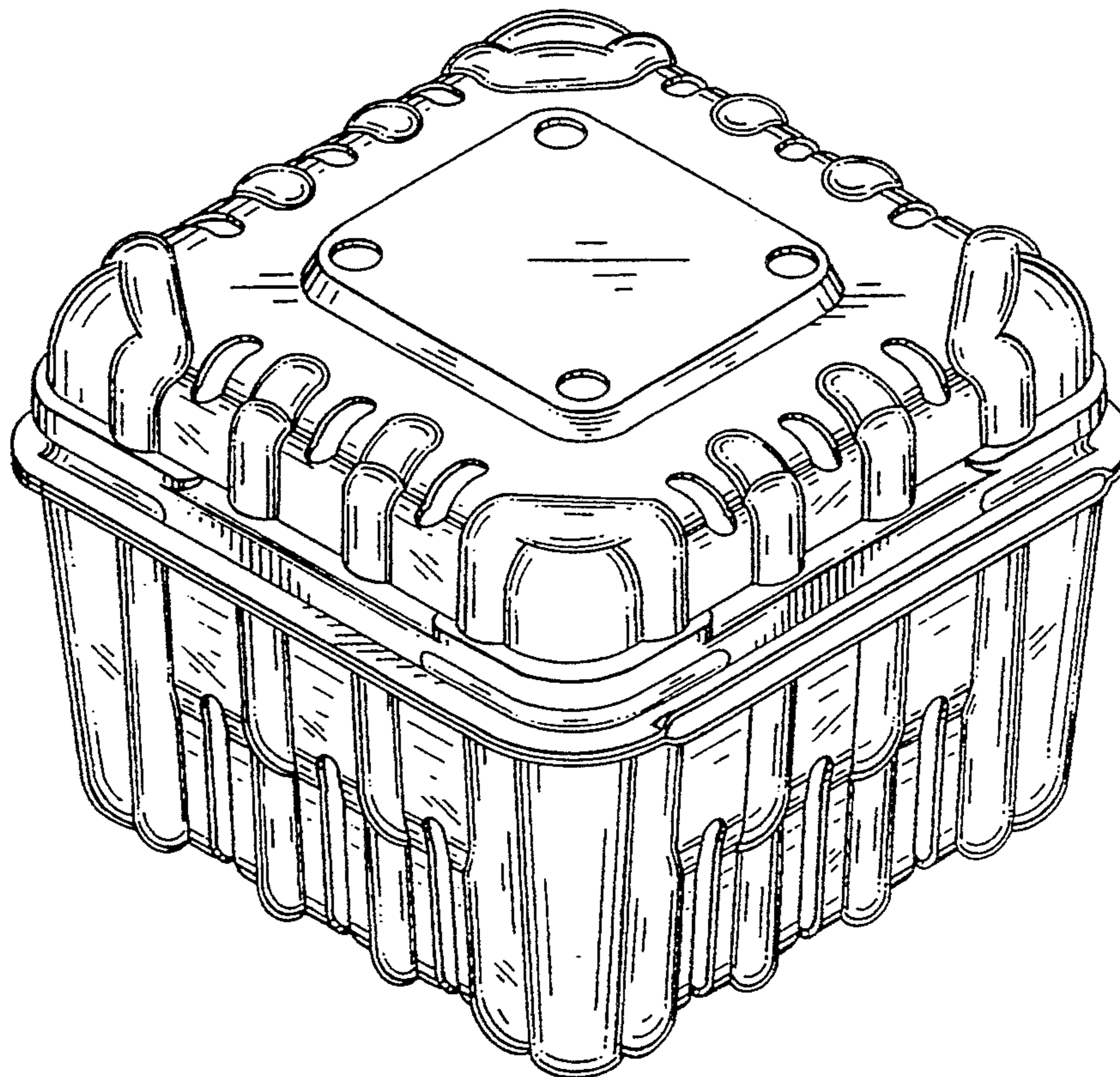


Fig.-1

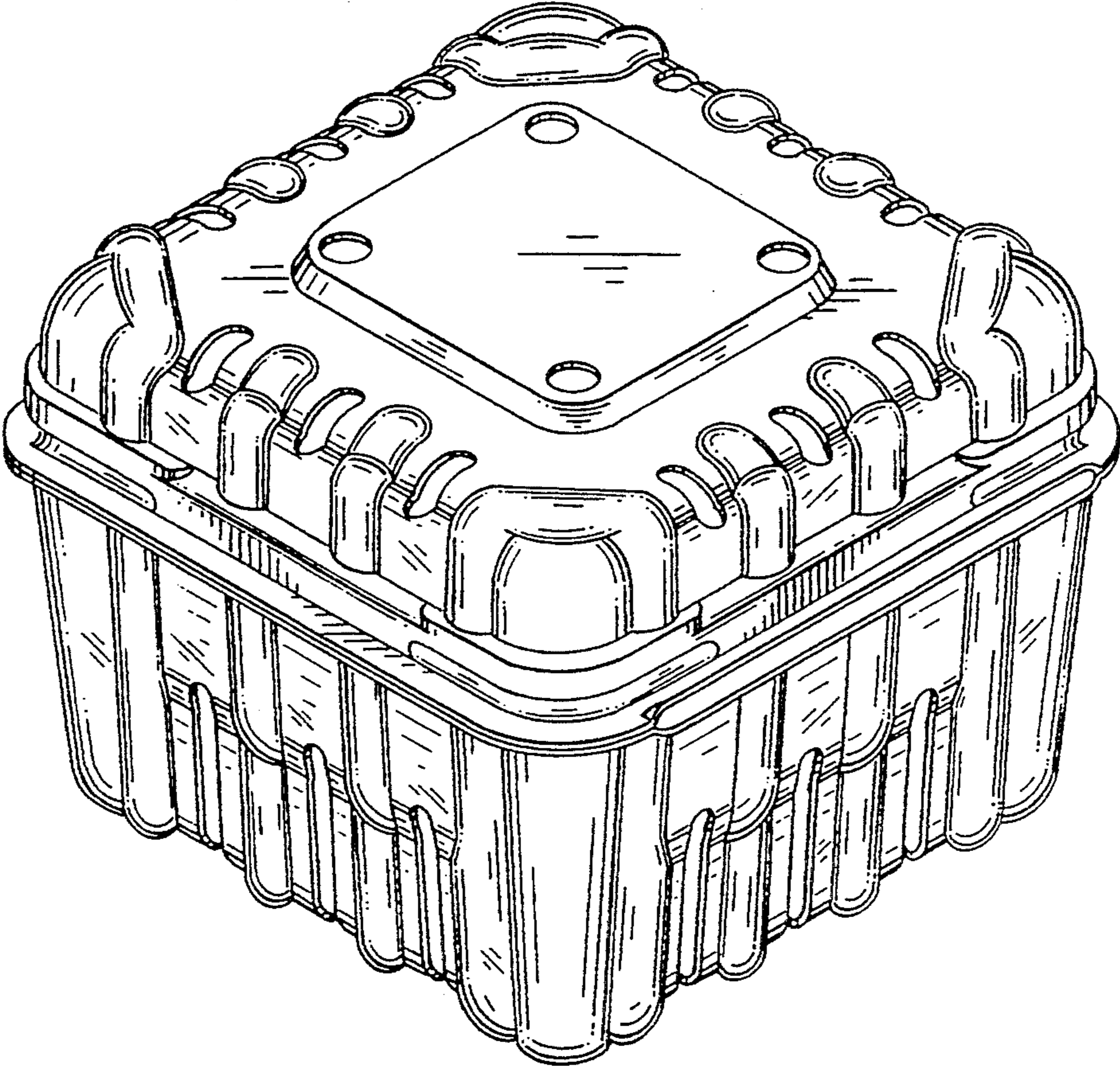


Fig.-2

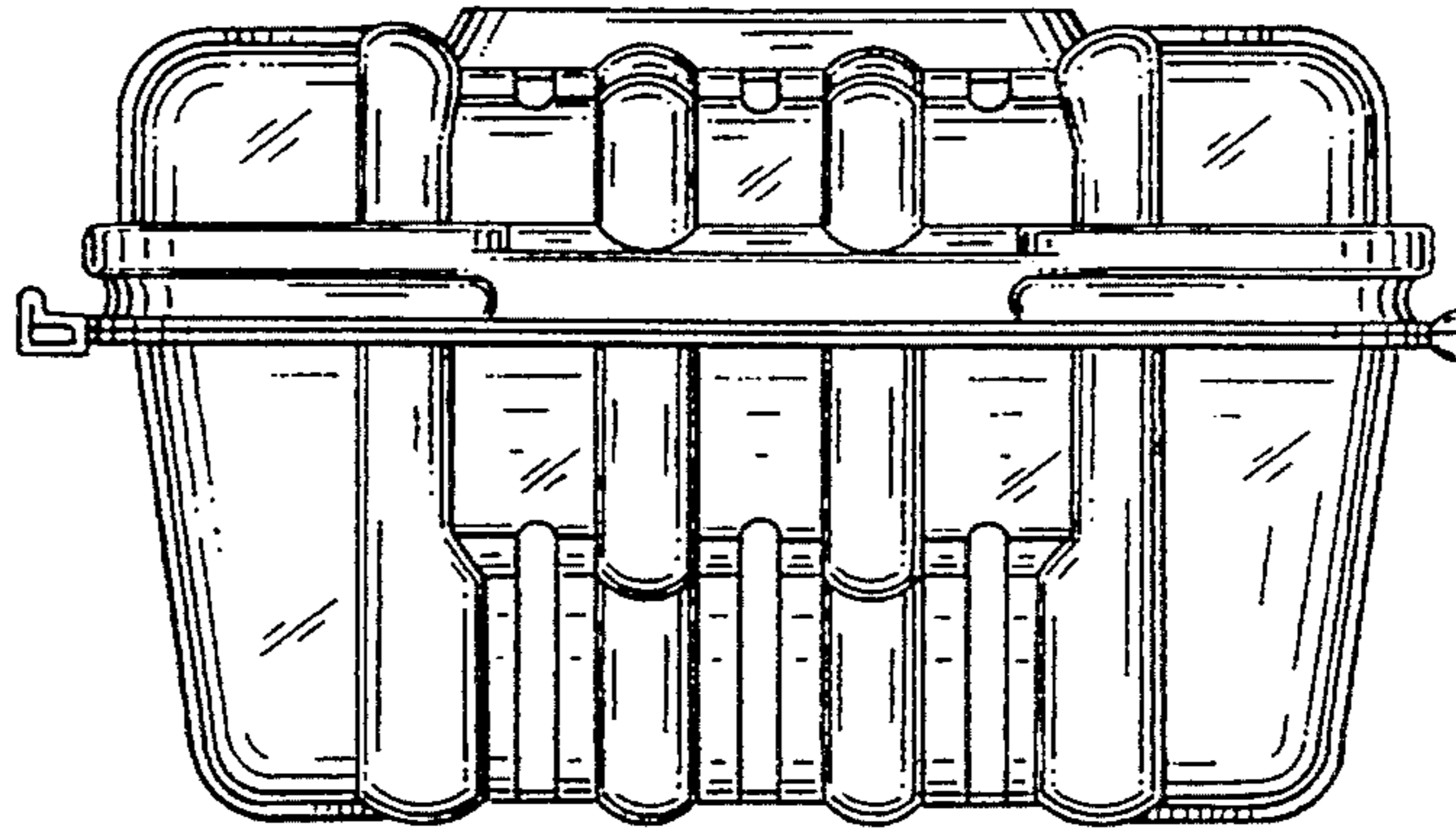


Fig.-3

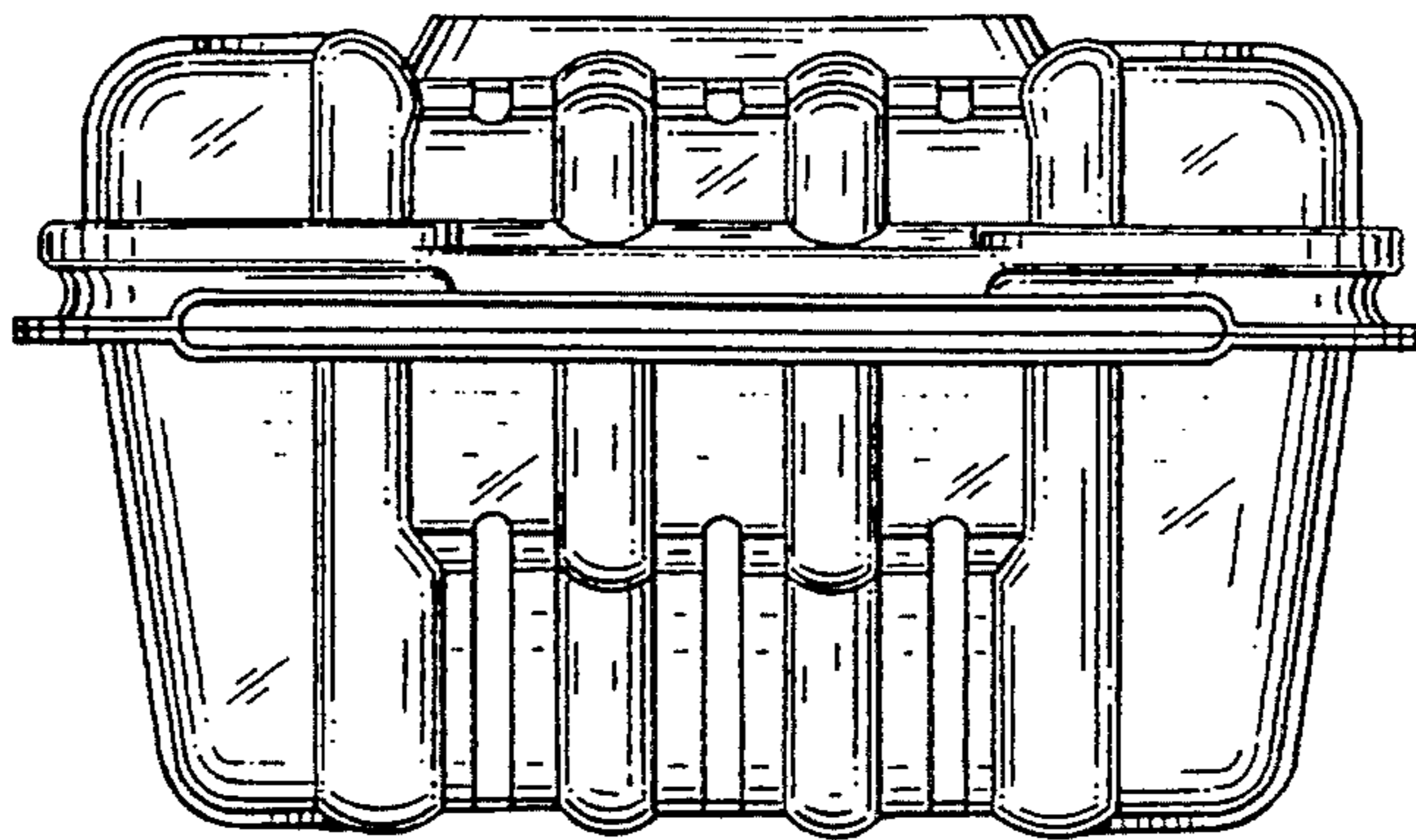


Fig.-4

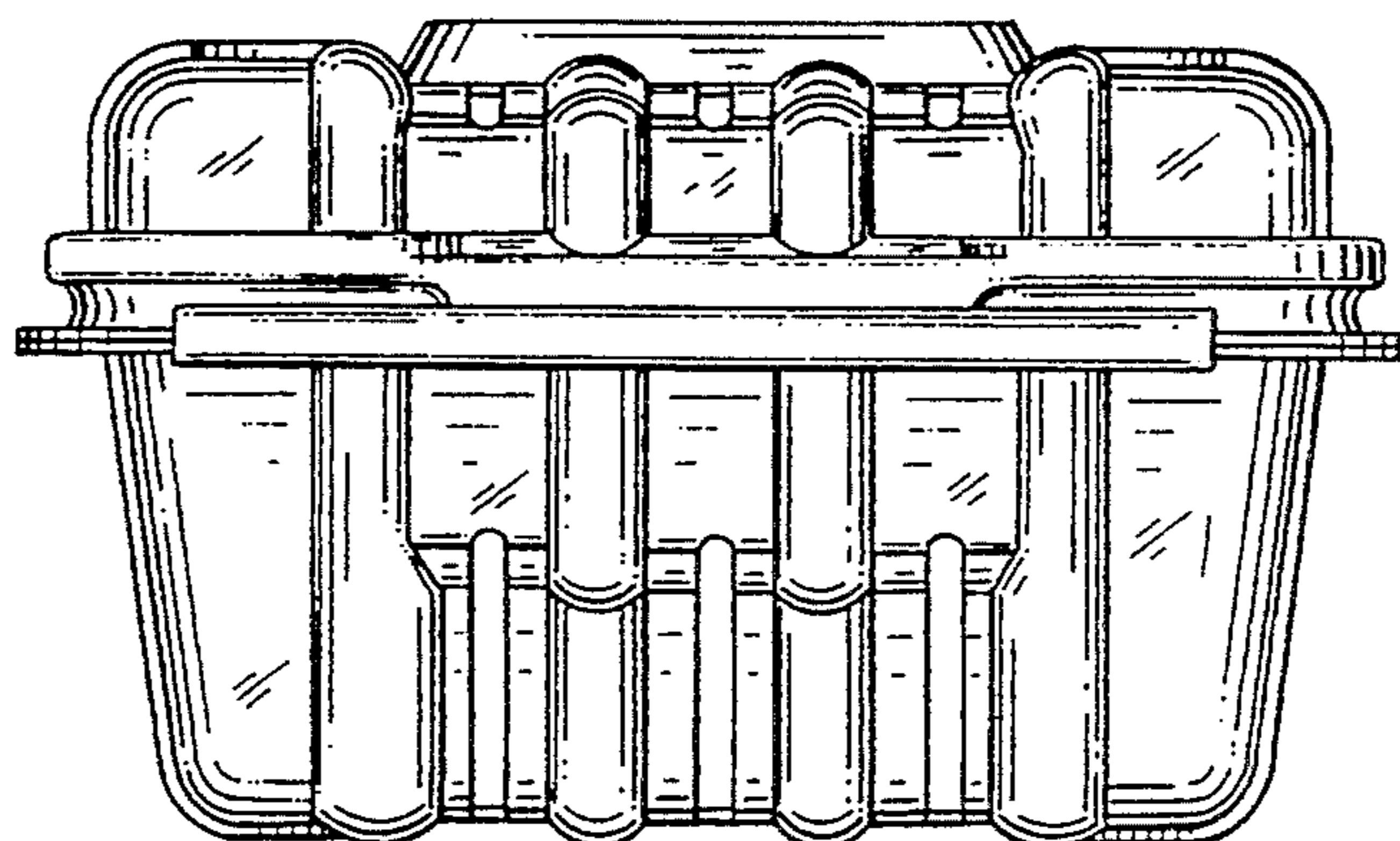


Fig.-5

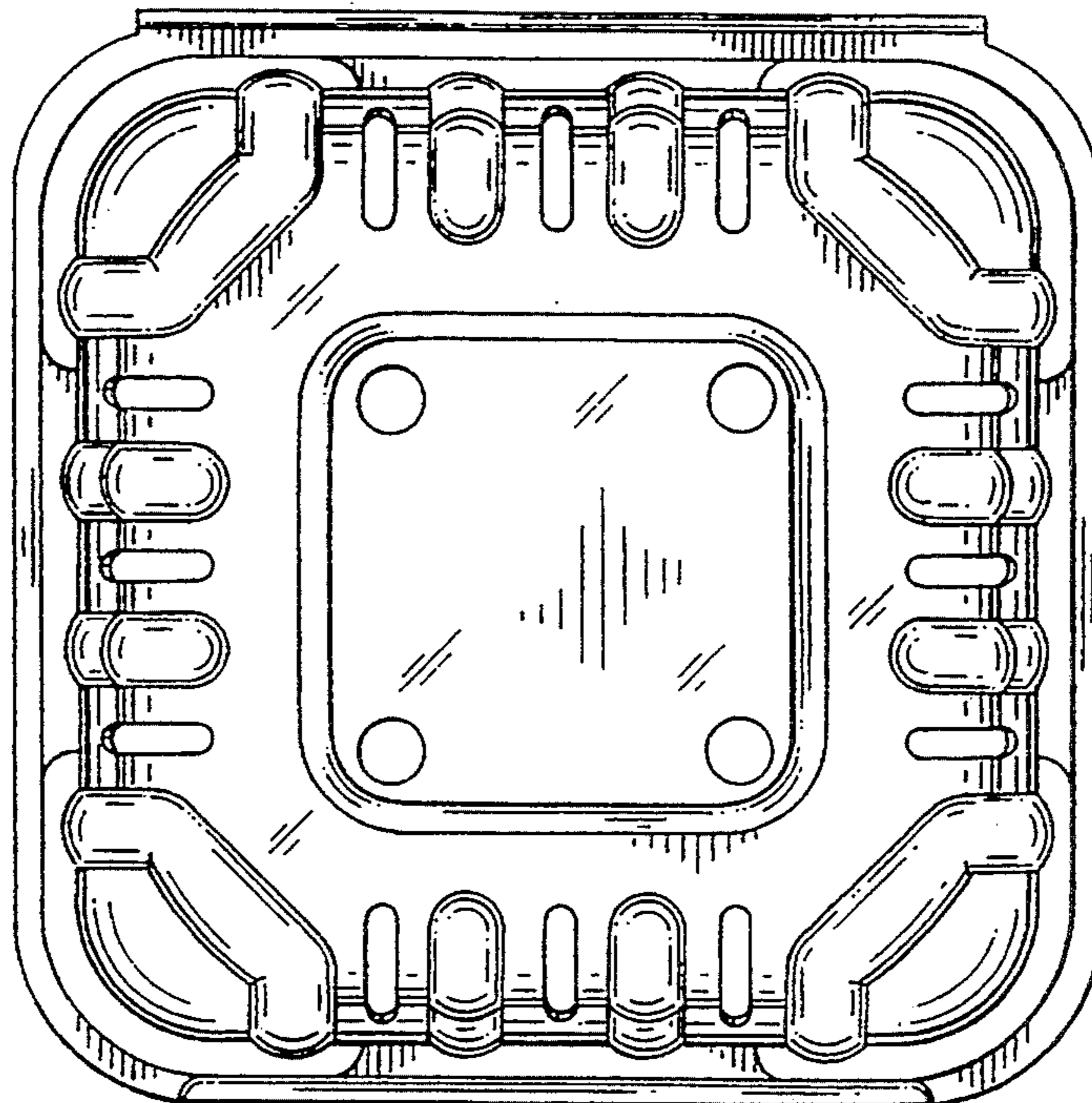
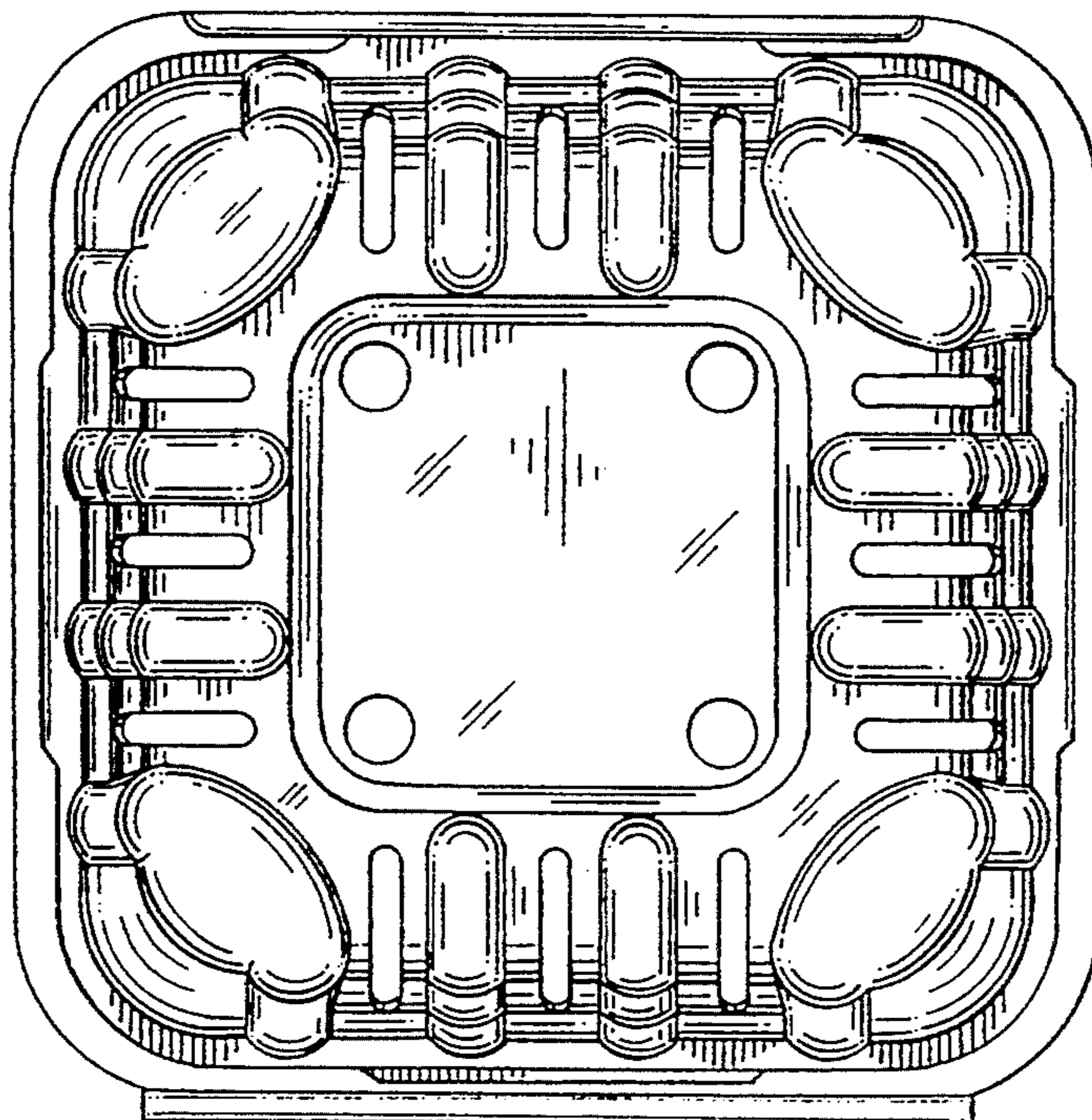


Fig.-6





US008361036B1

REEXAMINATION CERTIFICATE (4083rd)

United States Patent [19]

[11] **B1 Des. 361,036**

Krupa

[45] Certificate Issued ***May 9, 2000**

[54] **BERRY BOX**

[75] Inventor: **Calvin S. Krupa, Medina, Minn.**

[73] Assignee: **Ultra Pac, Inc., Rogers, Minn.**

Reexamination Request:

No. 90/004,264, Jun. 5, 1996

Reexamination Certificate for:

Patent No.: **Des. 361,036**

Issued: **Aug. 8, 1995**

Appl. No.: **29/014,482**

Filed: **Oct. 25, 1993**

[*] Notice: This patent is subject to a terminal disclaimer. **09-07**

[51] LOC (7) Cl. **09-07**

[52] U.S. Cl. **D9/424; D9/425; D9/423**

[58] Field of Search **D9/424, 425, 432, D9/420, 423, 430; 229/120, 929, 120.1; 220/4.21-4.25, 307, 324, 337, 339, 669-675, DIG. 27; 206/710, 711, 508, 521**

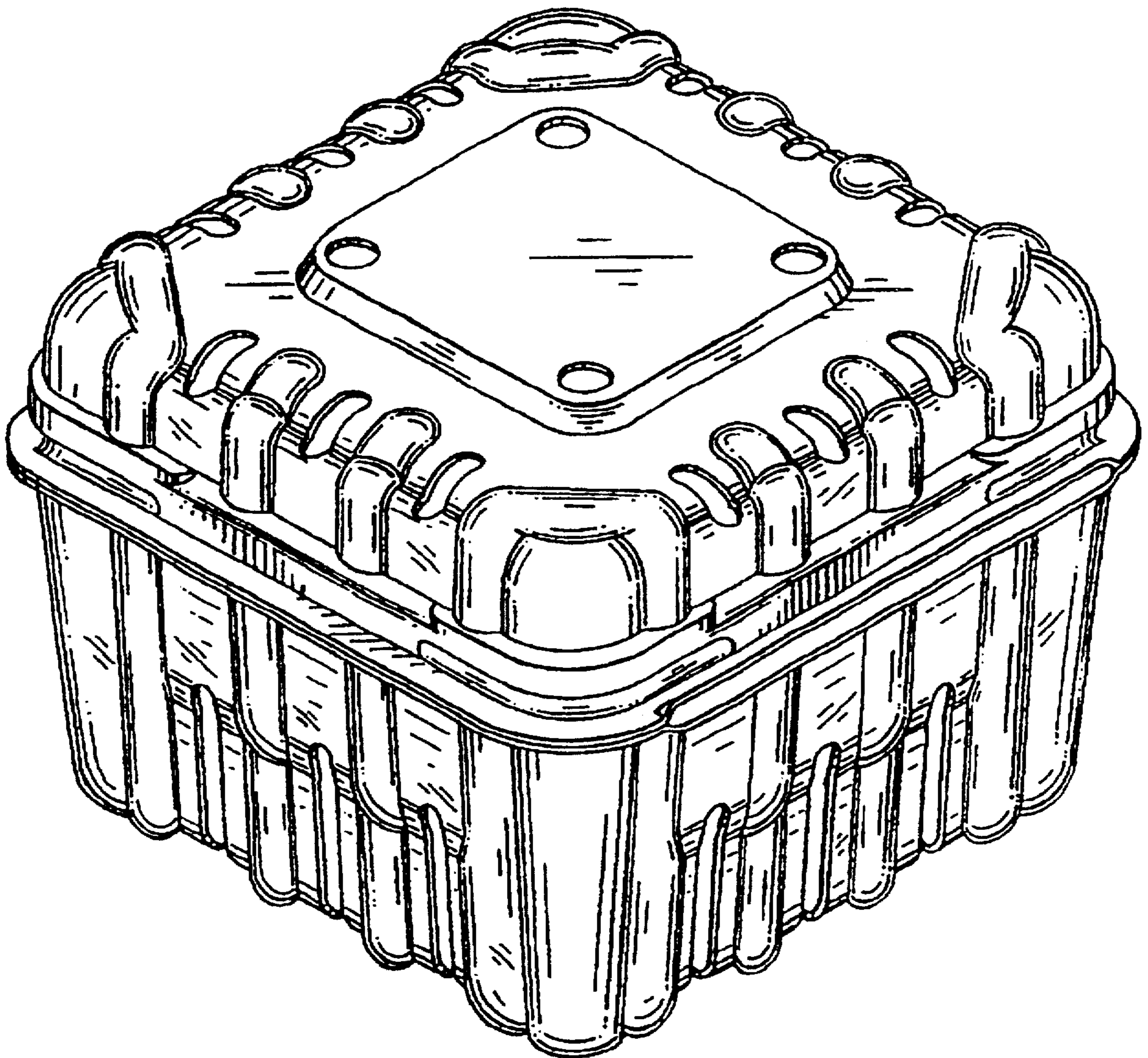
[56] **References Cited**

PUBLICATIONS

Ultra Pac sell sheet for Ultra Clam™ Berry Clamshells, Ultra Pac, Inc., Rogers, Minnesota, Aug. 1992.

Ultra Pac advertisement for Ultra Clam™ Berry Clamshells appearing in *California Strawberries*, Apr. 4, 1992.

Primary Examiner—Prabhakar Deshmukh



1

**REEXAMINATION CERTIFICATE
ISSUED UNDER 35 U.S.C. 307**

NO AMENDMENTS HAVE BEEN MADE TO
THE PATENT

2

AS A RESULT OF REEXAMINATION, IT HAS BEEN
DETERMINED THAT:

The patentability of one single design claim is confirmed.

* * * * *