



US00D361034S

United States Patent [19]

[11] Patent Number: **Des. 361,034**

Strässle

[45] Date of Patent: **** Aug. 8, 1995**

[54] **SLEEVE HEAD OF A CONNECTING ELEMENT FOR A SCAFFOLDING FRAMEWORK ROD**

5,271,685 12/1993 Stark 403/171

[75] Inventor: **Marcel Strässle, Kirchberg, Switzerland**

OTHER PUBLICATIONS

Arden Fasteners Catalog, 1986, p. 9, Palnut Fasteners Advertisement.

[73] Assignee: **Syma Intercontinental AB, Kirchberg, Switzerland**

Machine Design, The Fasteners Book Issue, 1960, p. 120, Crest Nut.

[**] Term: **14 Years**

Primary Examiner—Theodore M. Shooman

[21] Appl. No.: **16,823**

Assistant Examiner—Philip Hyder

[22] Filed: **Dec. 27, 1993**

Attorney, Agent, or Firm—Sughrue, Mion, Zinn,

Macpeak & Seas

[30] Foreign Application Priority Data

[57] CLAIM

Jun. 25, 1993 [XH] Hague Agreement ... DMA/002'200

The ornamental design for a sleeve head of a connecting element for a scaffolding framework rod, as shown and described.

[52] U.S. Cl. **D8/397**

DESCRIPTION

[58] Field of Search D8/387, 397, 499; 403/171, 172, 176, 174

FIG. 1 is a perspective view of a sleeve head of a connecting element for a scaffolding framework rod showing my new design;

[56] References Cited

U.S. PATENT DOCUMENTS

D. 243,582	3/1977	Shirey	D8/387
4,692,054	9/1987	Kirby	403/171
4,763,459	8/1988	Wesselski	403/171
4,907,907	3/1990	Kreusel	403/171
4,998,842	3/1991	Sheridan	403/171
5,007,762	4/1991	Duran	403/171
5,051,019	9/1991	Kohl	403/171
5,054,950	10/1991	Zillgen et al.	403/171
5,088,852	2/1992	Davister	403/171
5,116,193	5/1992	Takizawa et al.	403/171

FIG. 2 is a elevational view taken 60 degrees from FIG. 4;

FIG. 3 is a front elevational view thereof;

FIG. 4 is a side elevational view thereof, the opposite side being a mirror image thereof;

FIG. 5 is a top plan view thereof; and,

FIG. 6 is a rear elevational view thereof.

The broken line portions of the drawing are for illustrative purposes only and form no part of the claimed design.

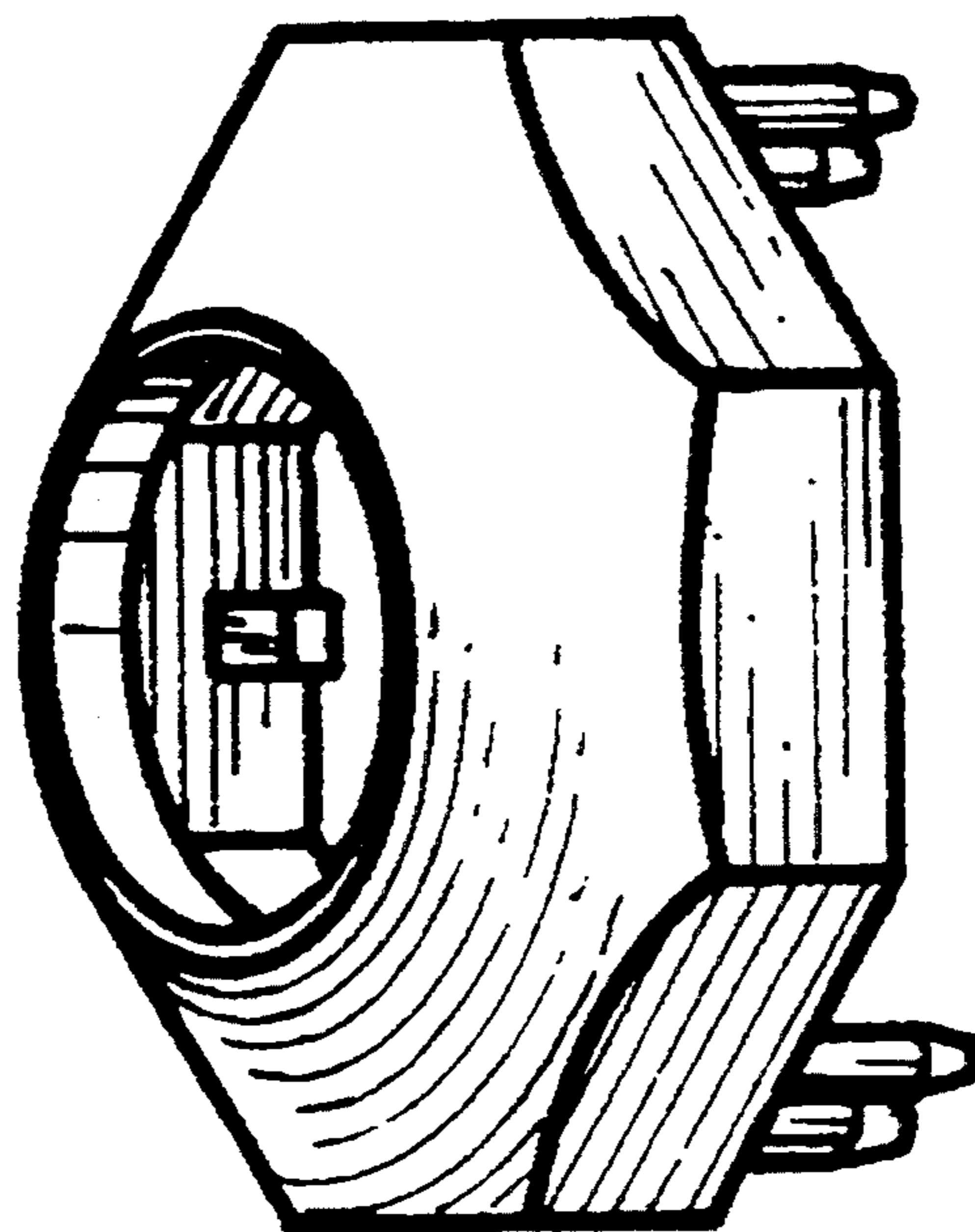


FIG. 3

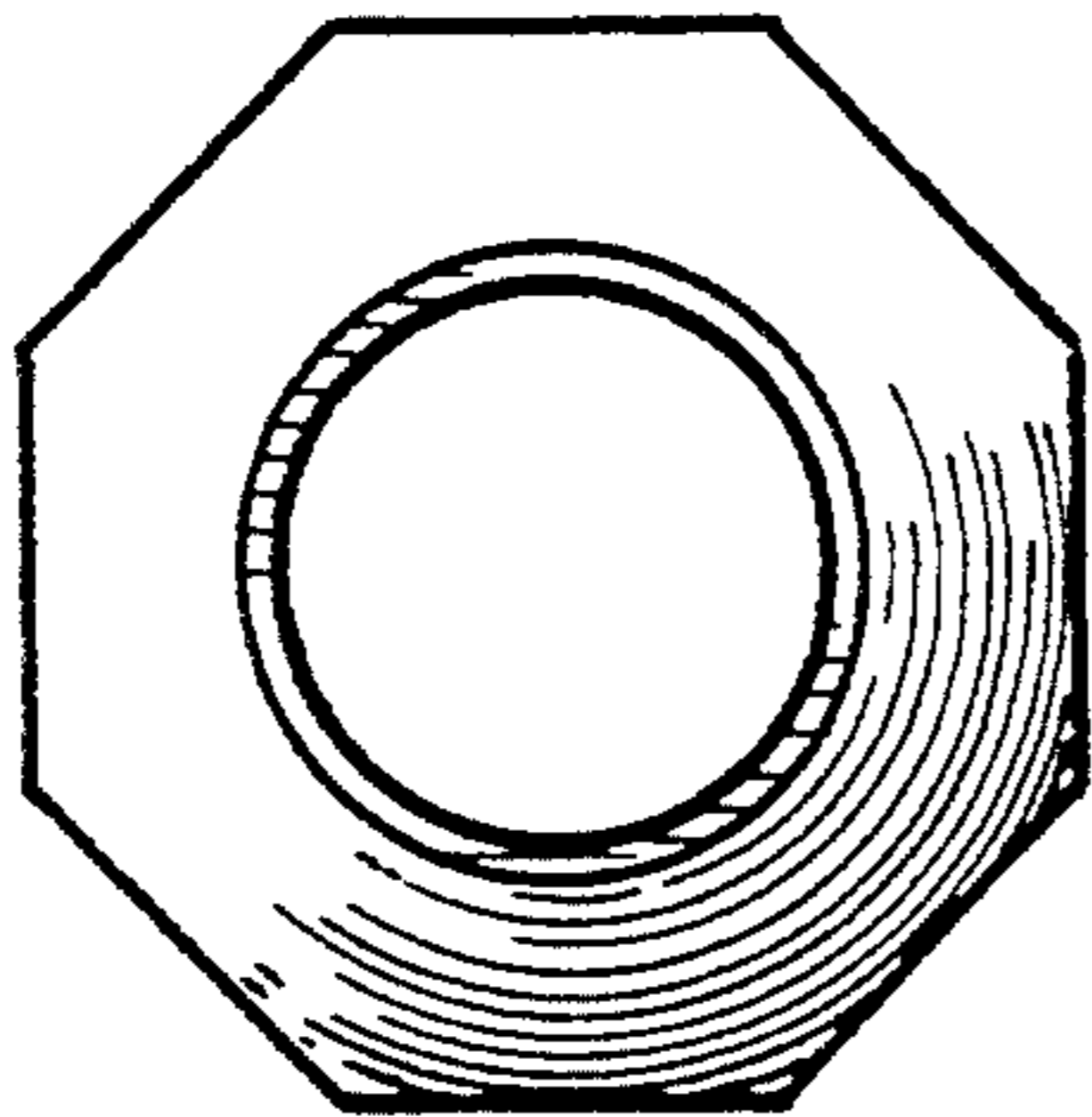


FIG. 6

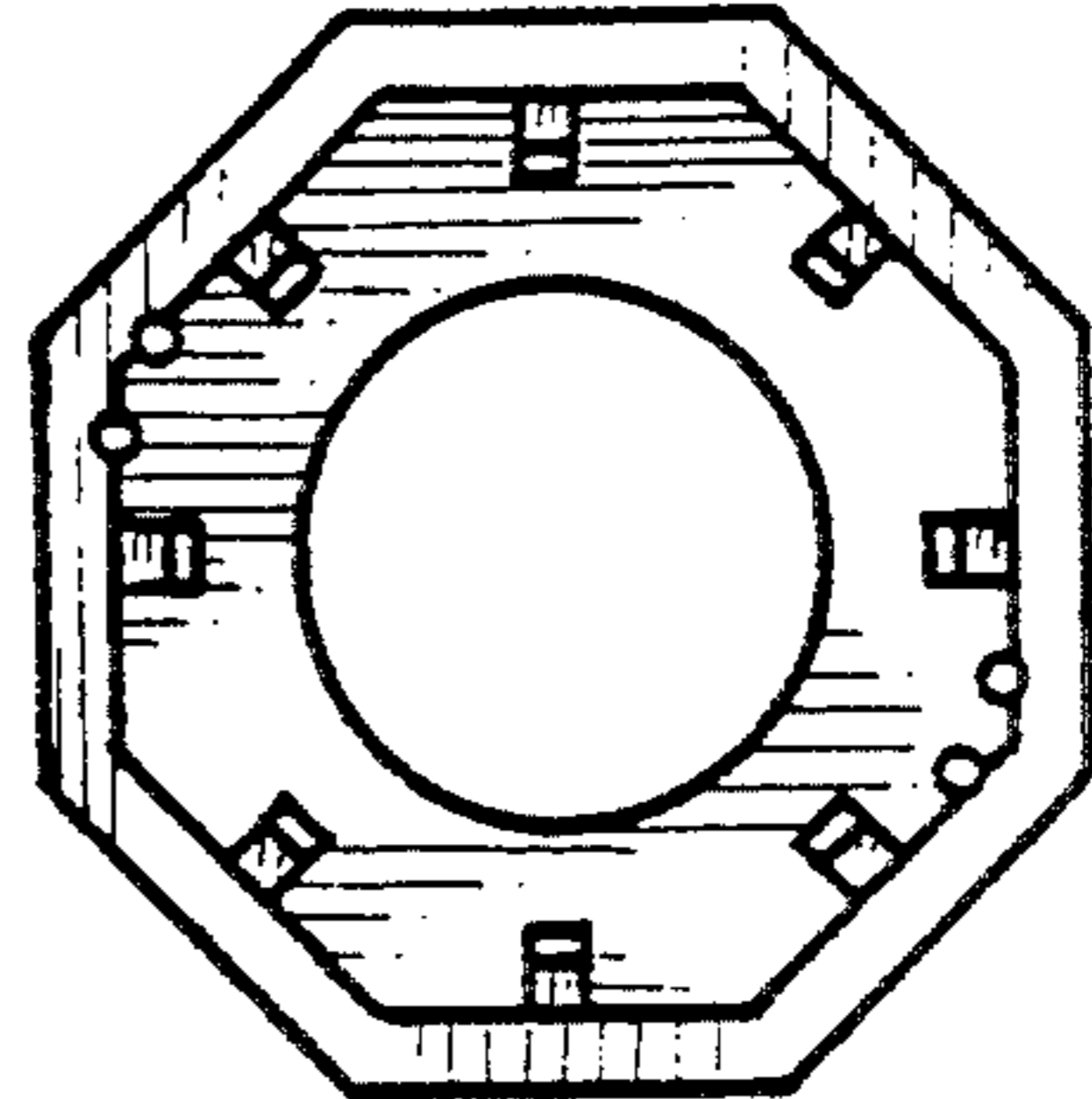


FIG. 4

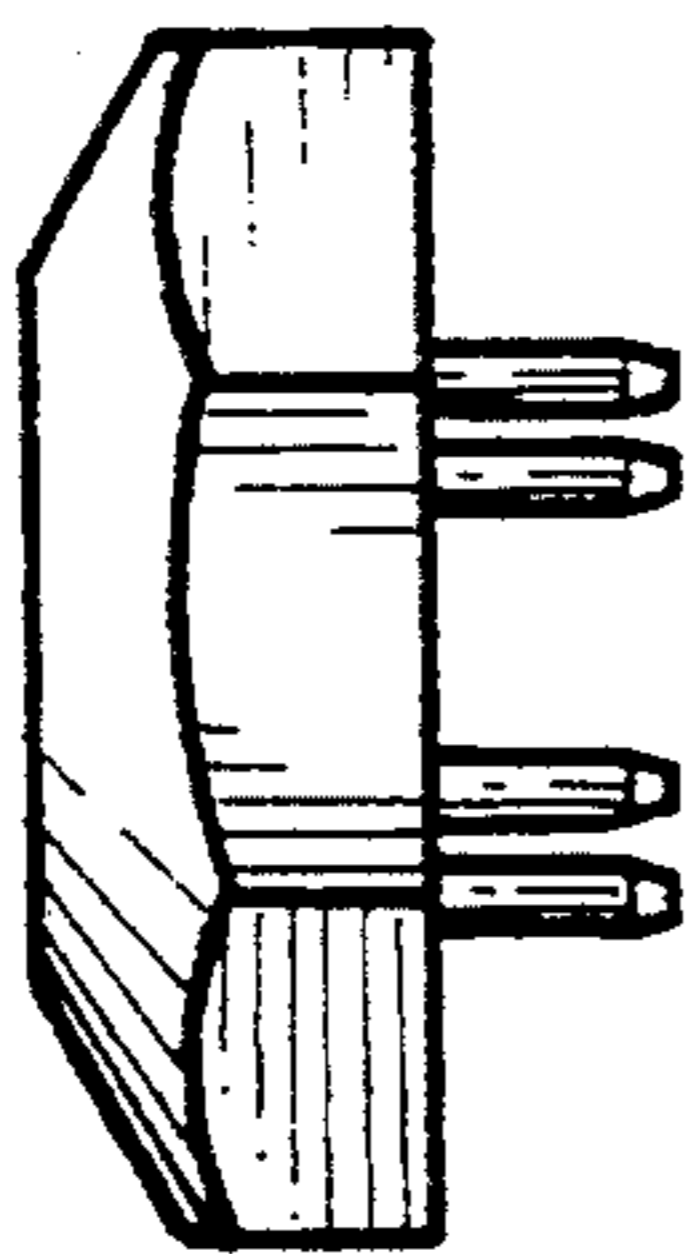


FIG. 5

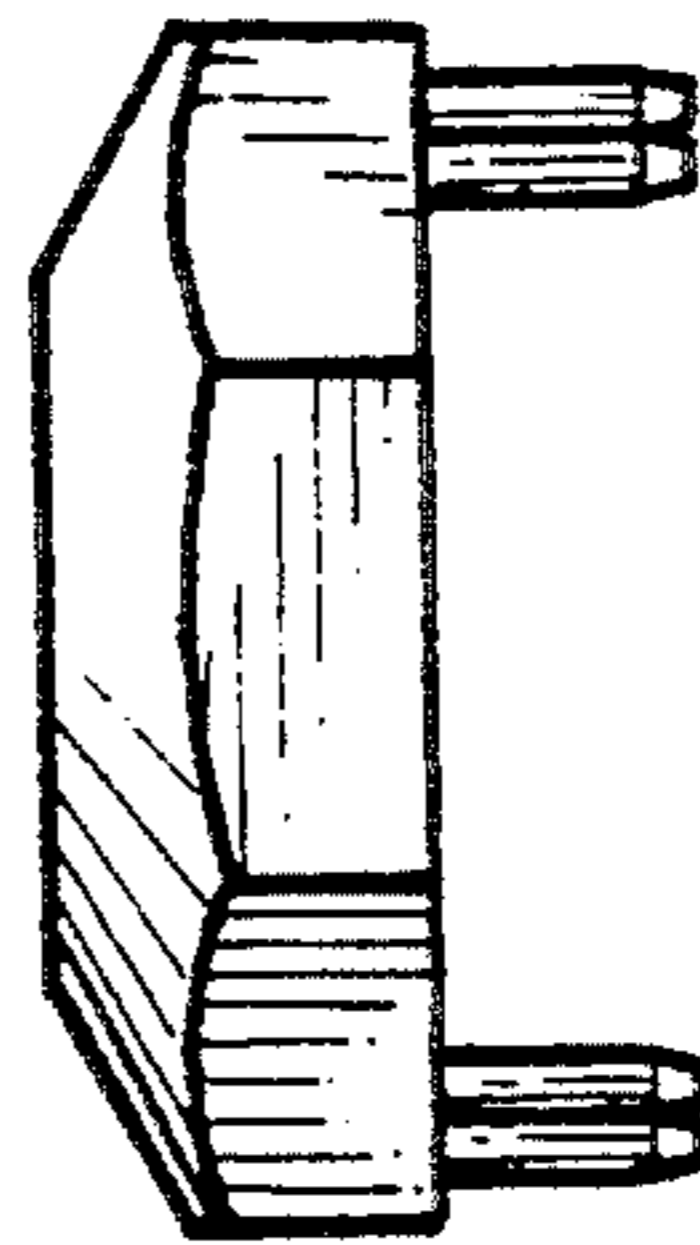


FIG. 2

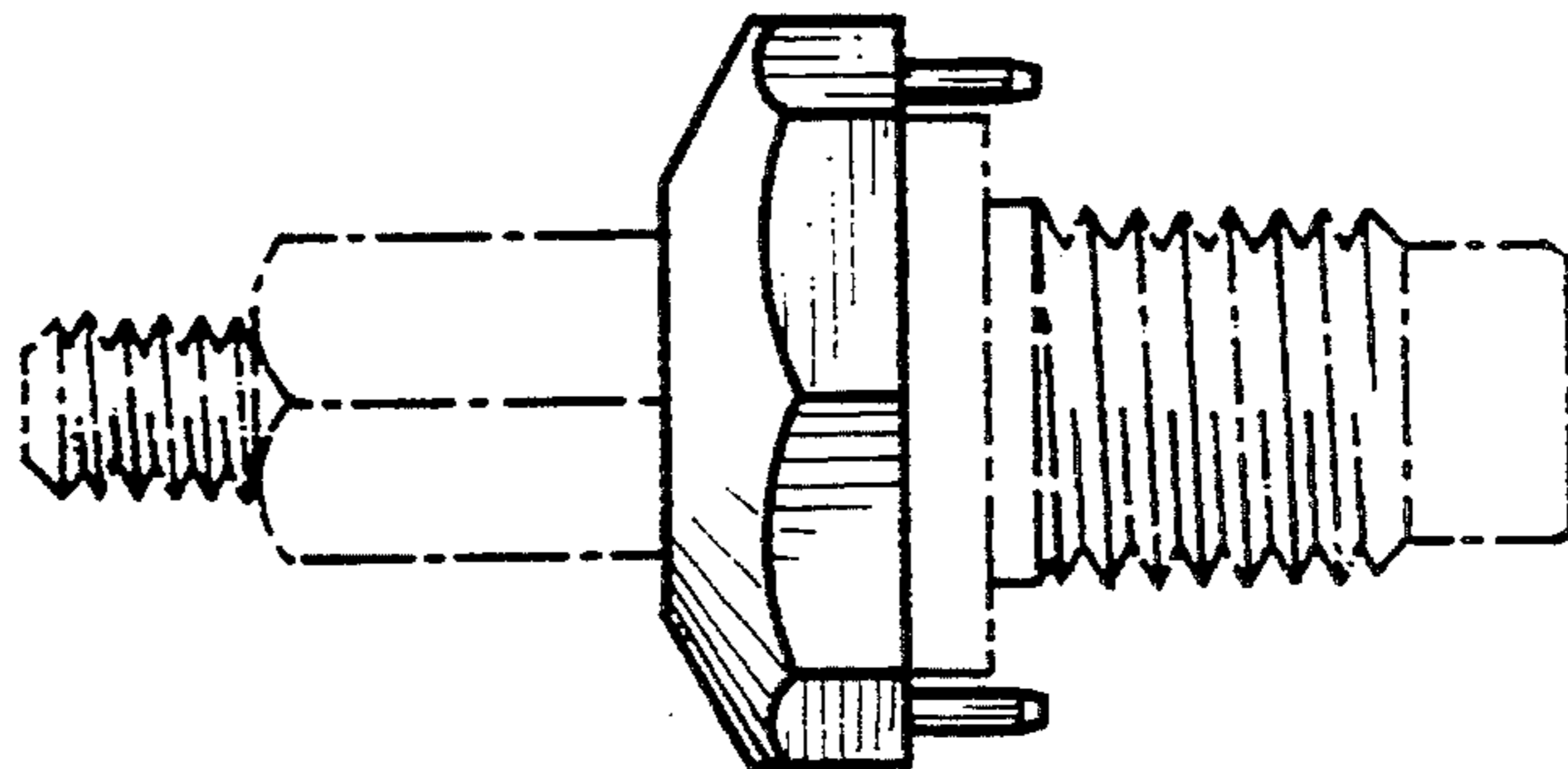


FIG. 1

