



US00D361033S

United States Patent [19]

[11] Patent Number: **Des. 361,033**

Van Beveren et al.

[45] Date of Patent: **** Aug. 8, 1995**

[54] CLAMP

[76] Inventors: **Maurits J. Van Beveren**, 33 Brich Tree Rd., Plainville, Conn. 06062;
Maximillian J. Van Beveren, 291 Park St., Bristol, Conn. 06811

[**] Term: **14 Years**

[21] Appl. No.: **8,072**

[22] Filed: **May 7, 1993**

[52] U.S. Cl. **D8/396**

[58] Field of Search D8/394, 396; 160/22;
248/229, 540, 541; 403/385

[56] **References Cited**

U.S. PATENT DOCUMENTS

1,918,843	7/1933	Holmes	403/385
2,057,329	10/1936	Duff	403/385
2,107,407	2/1938	Burton	403/385
4,632,221	12/1986	Stanford	403/385 X

FOREIGN PATENT DOCUMENTS

28140 of 1897 United Kingdom 403/385

Primary Examiner—Terry A. Wallace
Assistant Examiner—Nanda Bondade
Attorney, Agent, or Firm—Robert A. Seemann

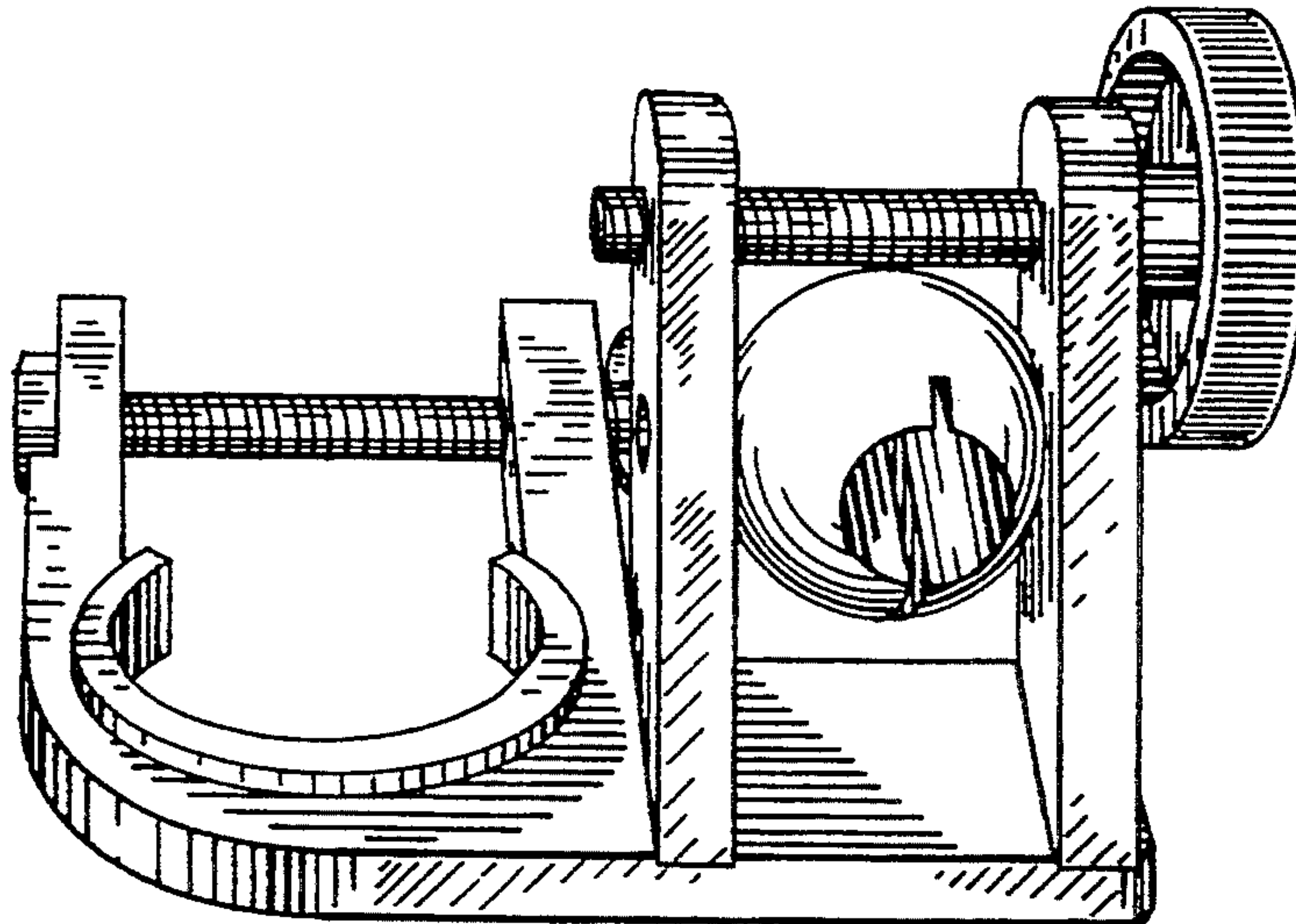
[57] **CLAIM**

The ornamental design for a clamp, as shown and described.

DESCRIPTION

FIG. 1 is a front perspective view of a clamp showing my new design;
FIG. 2 is a top plan view thereof;
FIG. 3 is a left side elevational view thereof;
FIG. 4 is a bottom plan view thereof;
FIG. 5 is a rear elevational view thereof; and,
FIG. 6 is a reduced top, front and right side perspective view thereof.

The broken line showing of awning post and the boat rail and grill are for illustrative purposes only and forms no part of the claimed design.



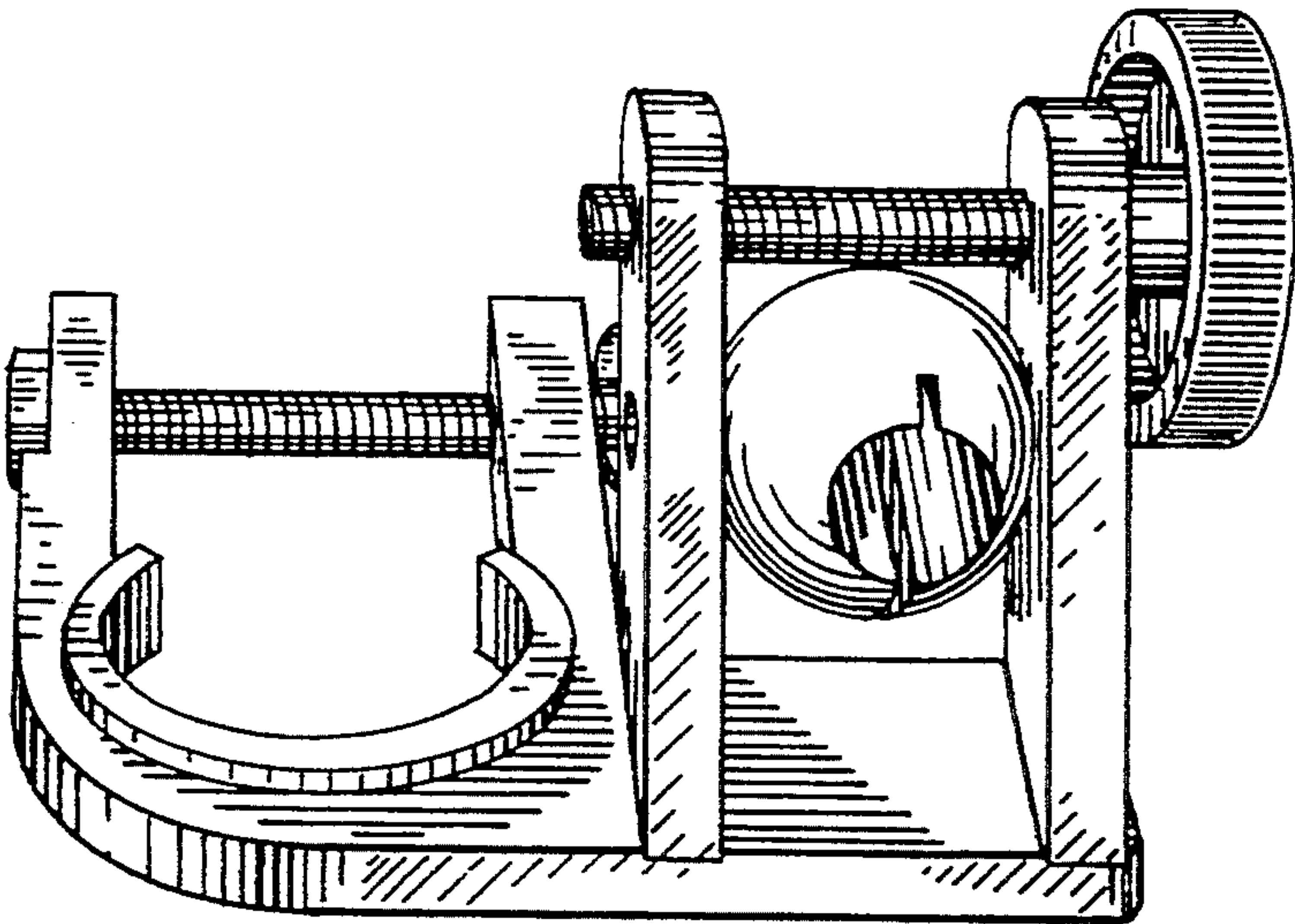


FIG. 1

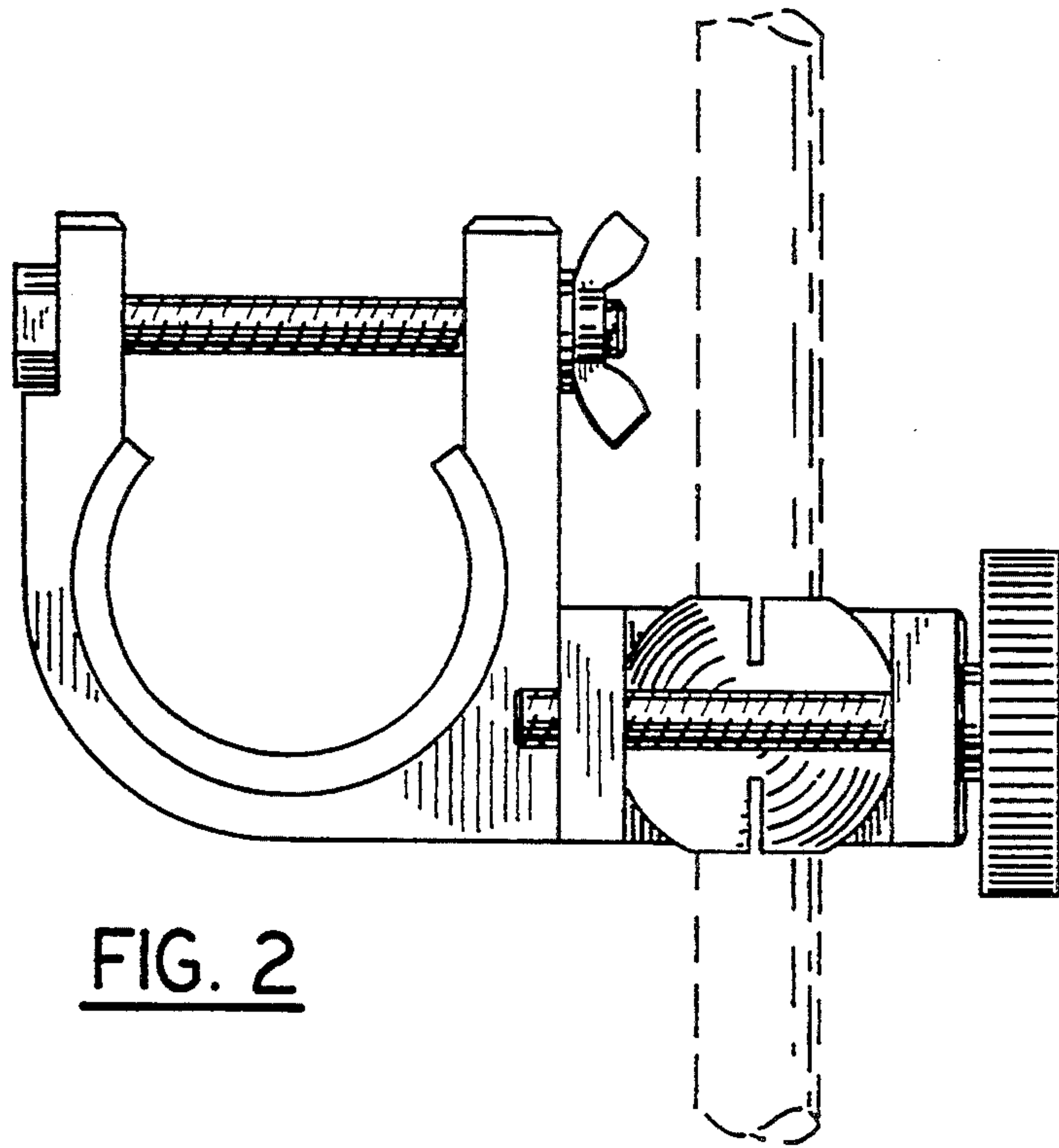


FIG. 2

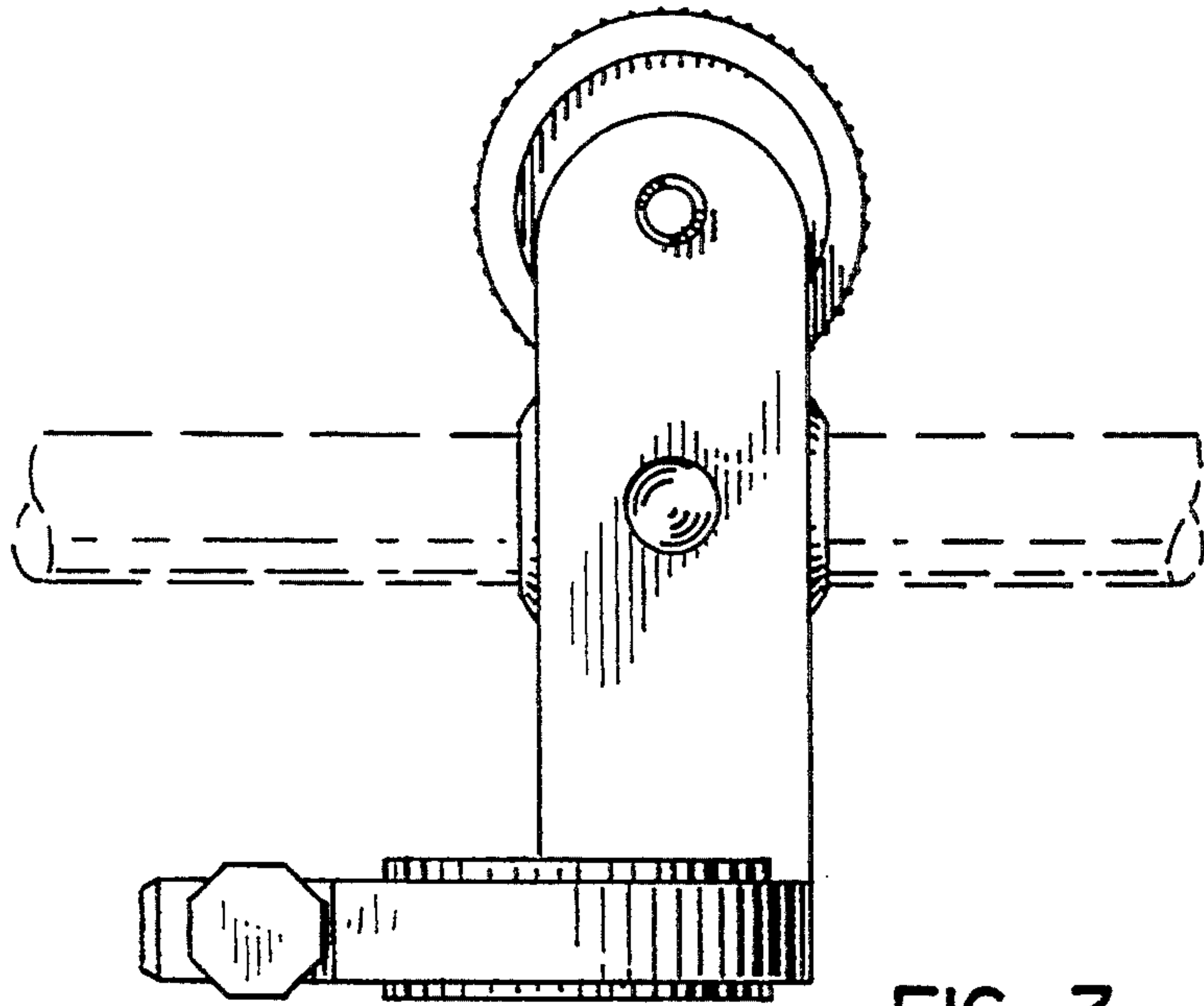


FIG. 3

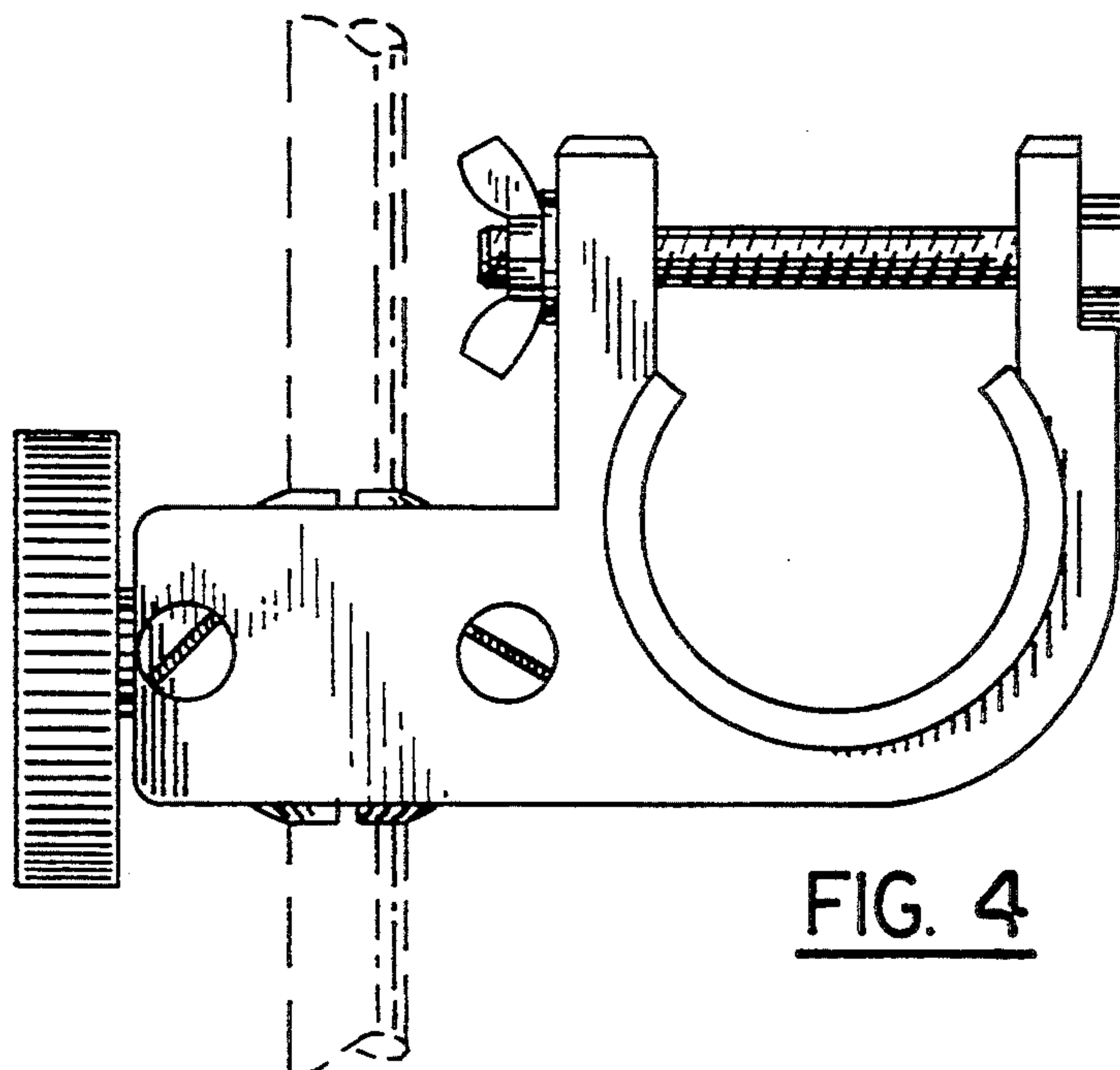


FIG. 4

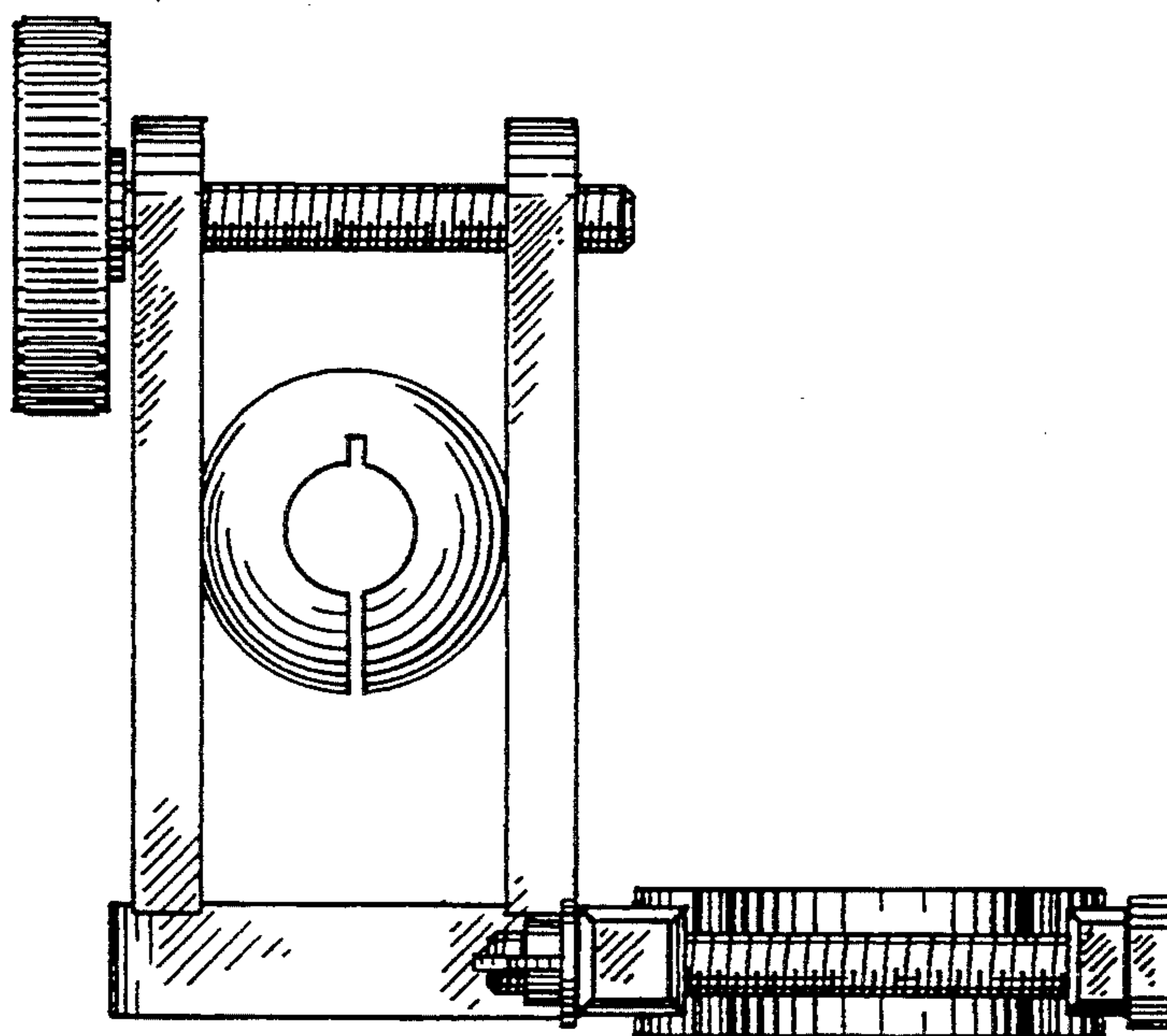


FIG. 5

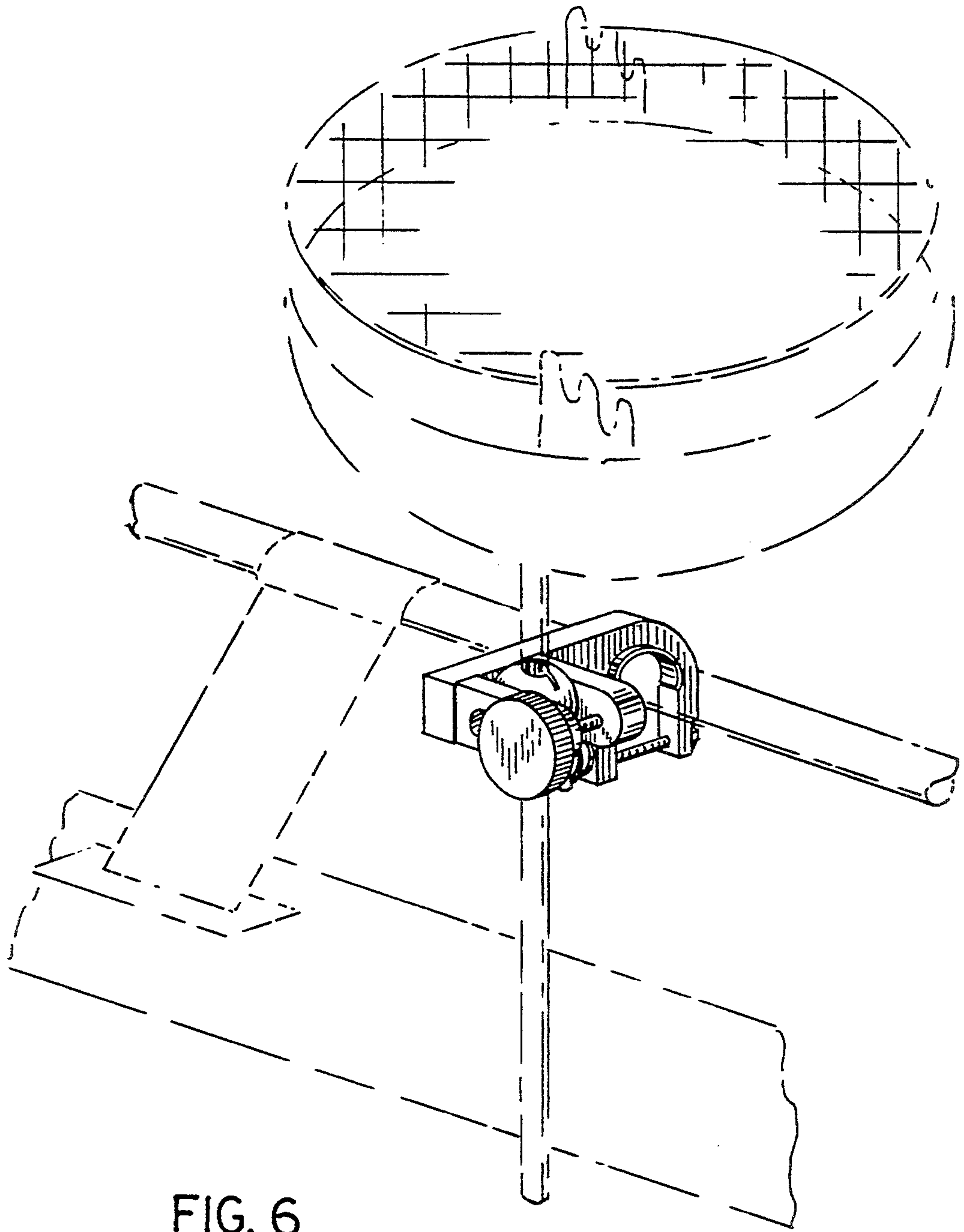


FIG. 6