



US00D361032S

# United States Patent [19]

[11] Patent Number: **Des. 361,032**

Dougan et al.

[45] Date of Patent: **\*\* Aug. 8, 1995**

[54] **CLIP FOR HANGING CHRISTMAS LIGHTS**

3,599,916	8/1971	Szabo	248/73
3,599,918	8/1971	Patchett	248/215
4,260,122	4/1981	Fiala	248/71

[76] Inventors: **William B. Dougan**, 48 Brown Crescent NW; **Murray R. Nesbitt**, 164 Deerpath Road SE, both of Calgary, Alberta, Canada

### FOREIGN PATENT DOCUMENTS

955225 9/1974 Canada ..... 248/46

[\*\*] Term: **14 Years**

*Primary Examiner*—Terry A. Wallace  
*Assistant Examiner*—Nanda Bondade  
*Attorney, Agent, or Firm*—Anthony R. Lambert

[21] Appl. No.: **9,324**

[22] Filed: **Jun. 11, 1993**

### [57] CLAIM

### [30] Foreign Application Priority Data

Dec. 14, 1992 [CA] Canada ..... 14-12-92-1

The ornamental design for clip for hanging Christmas lights, as shown and described.

[52] U.S. Cl. .... **D8/395**

### DESCRIPTION

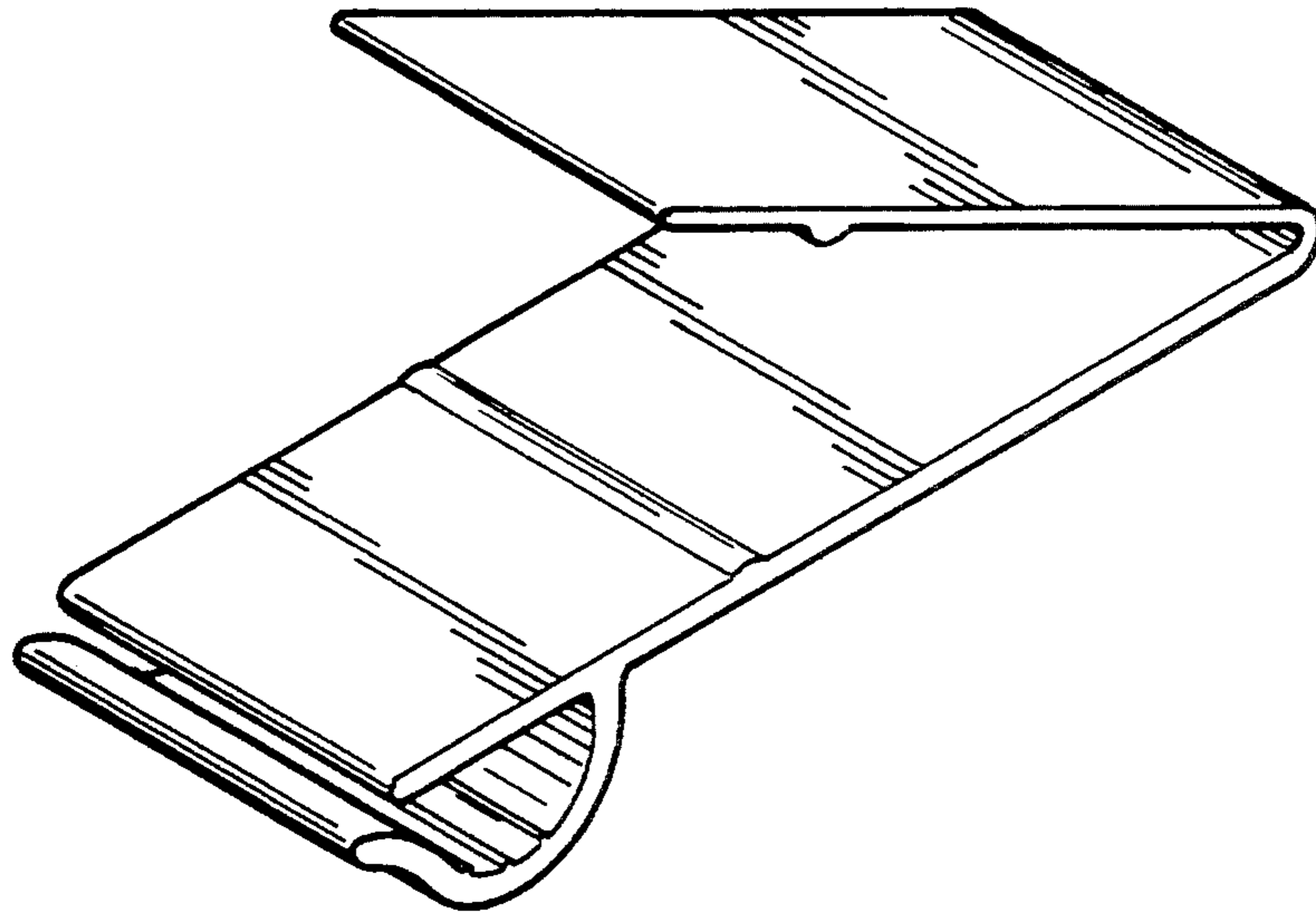
[58] Field of Search ..... D8/395, 396; 24/326, 24/343; 248/74.2, 225.31, 229, 231.8

FIG. 1 is a perspective view of a clip for hanging Christmas lights showing my new design;  
FIG. 2 is a right side elevational view thereof, the left side being a mirror image;  
FIG. 3 is a front elevational view thereof;  
FIG. 4 is a top plan view thereof;  
FIG. 5 is a bottom plan view thereof; and,  
FIG. 6 is a rear elevational view thereof.

### [56] References Cited

#### U.S. PATENT DOCUMENTS

D. 31,086	6/1899	Caldwell	D8/395
2,471,584	5/1949	Richards	248/71
3,437,298	4/1969	Seckerson	248/71



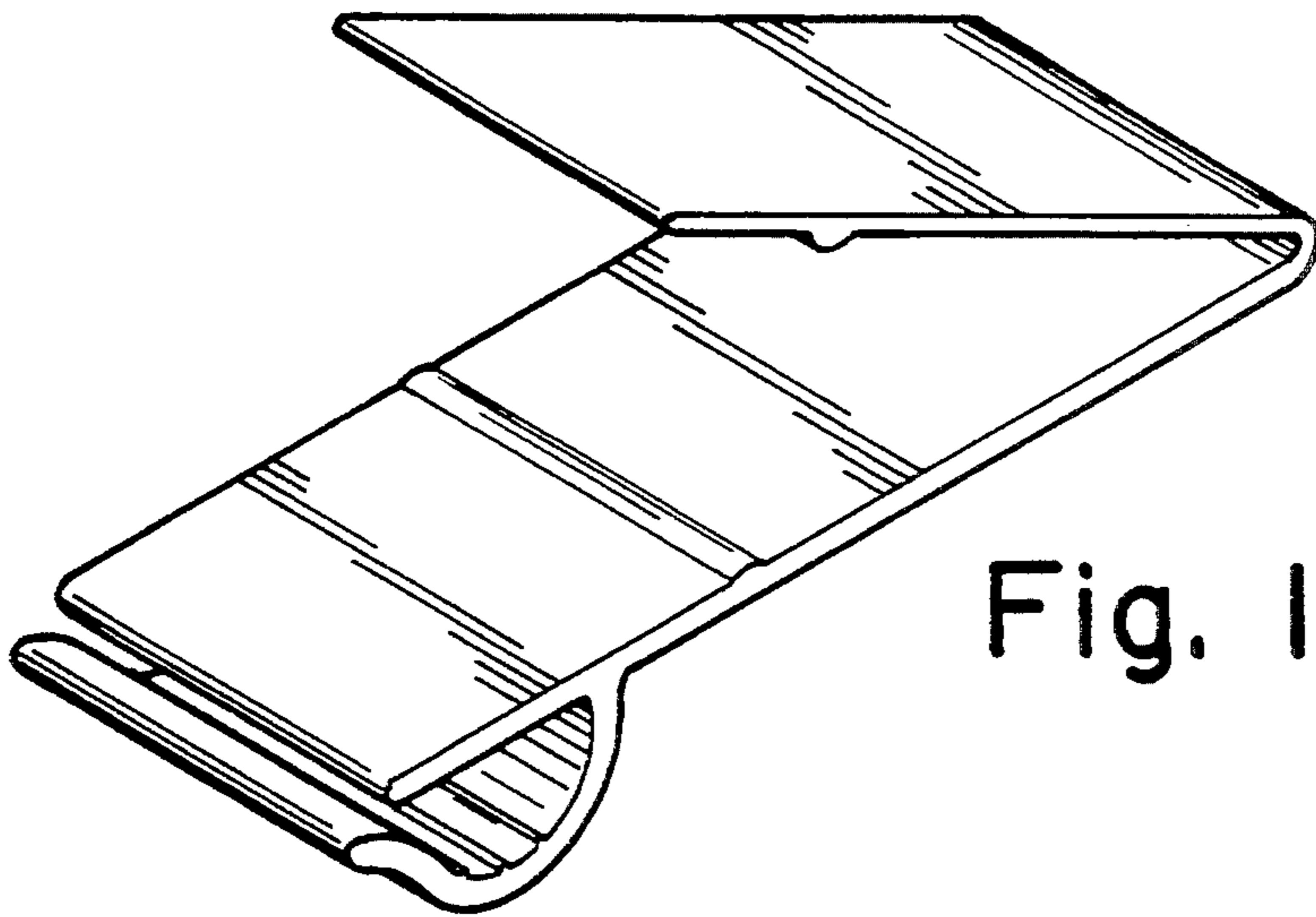


Fig. 1.

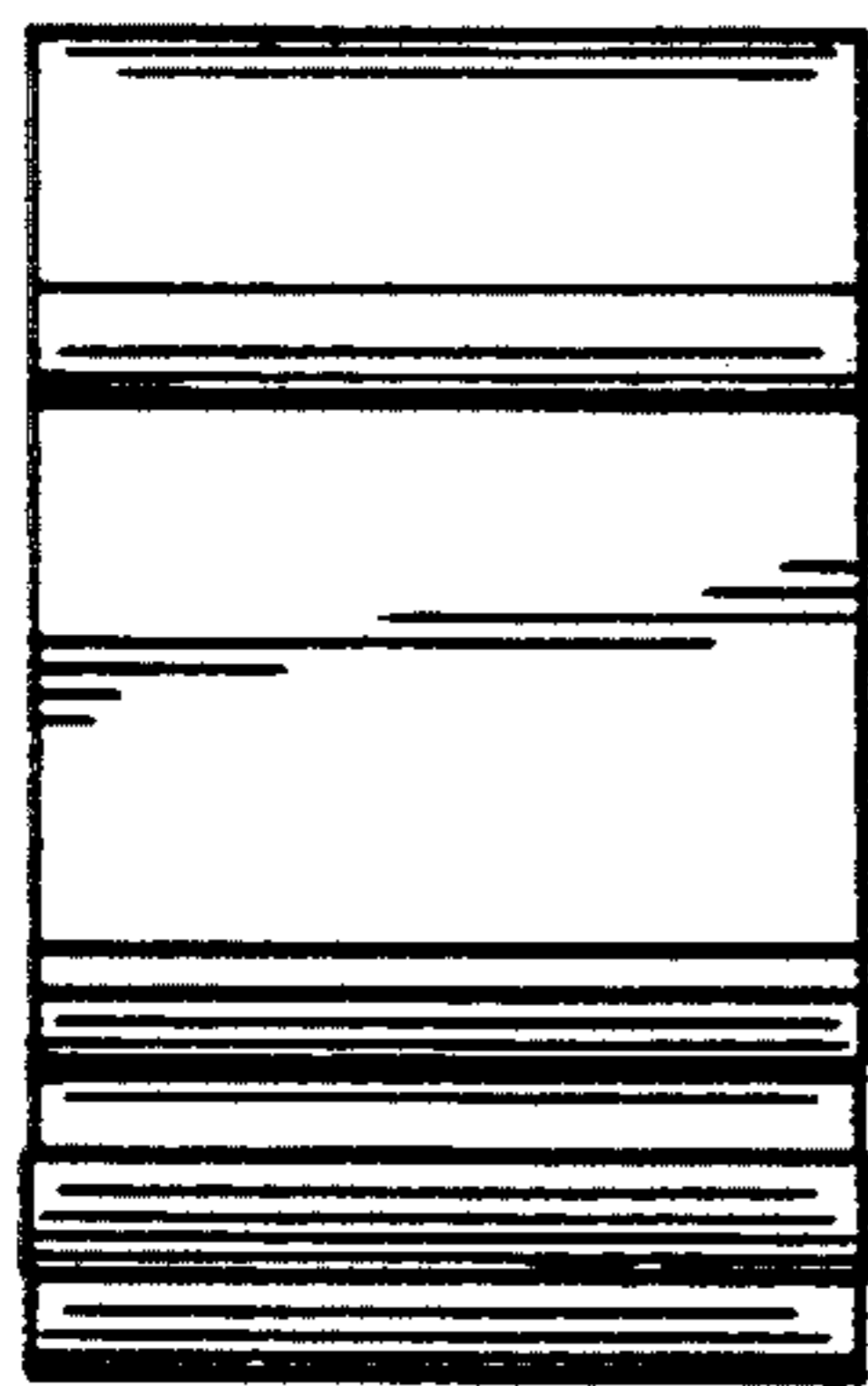


Fig. 3.

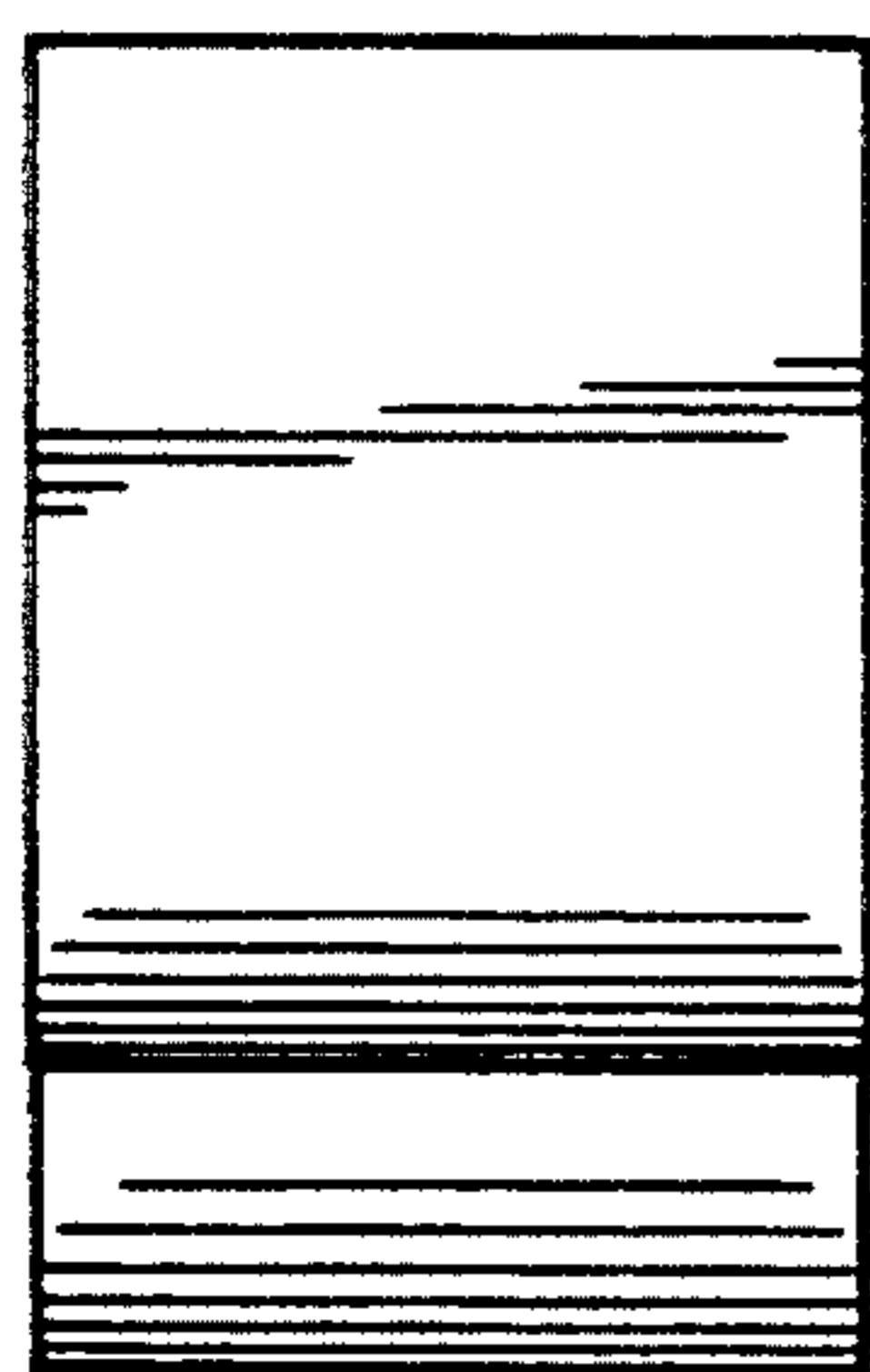


Fig. 6.

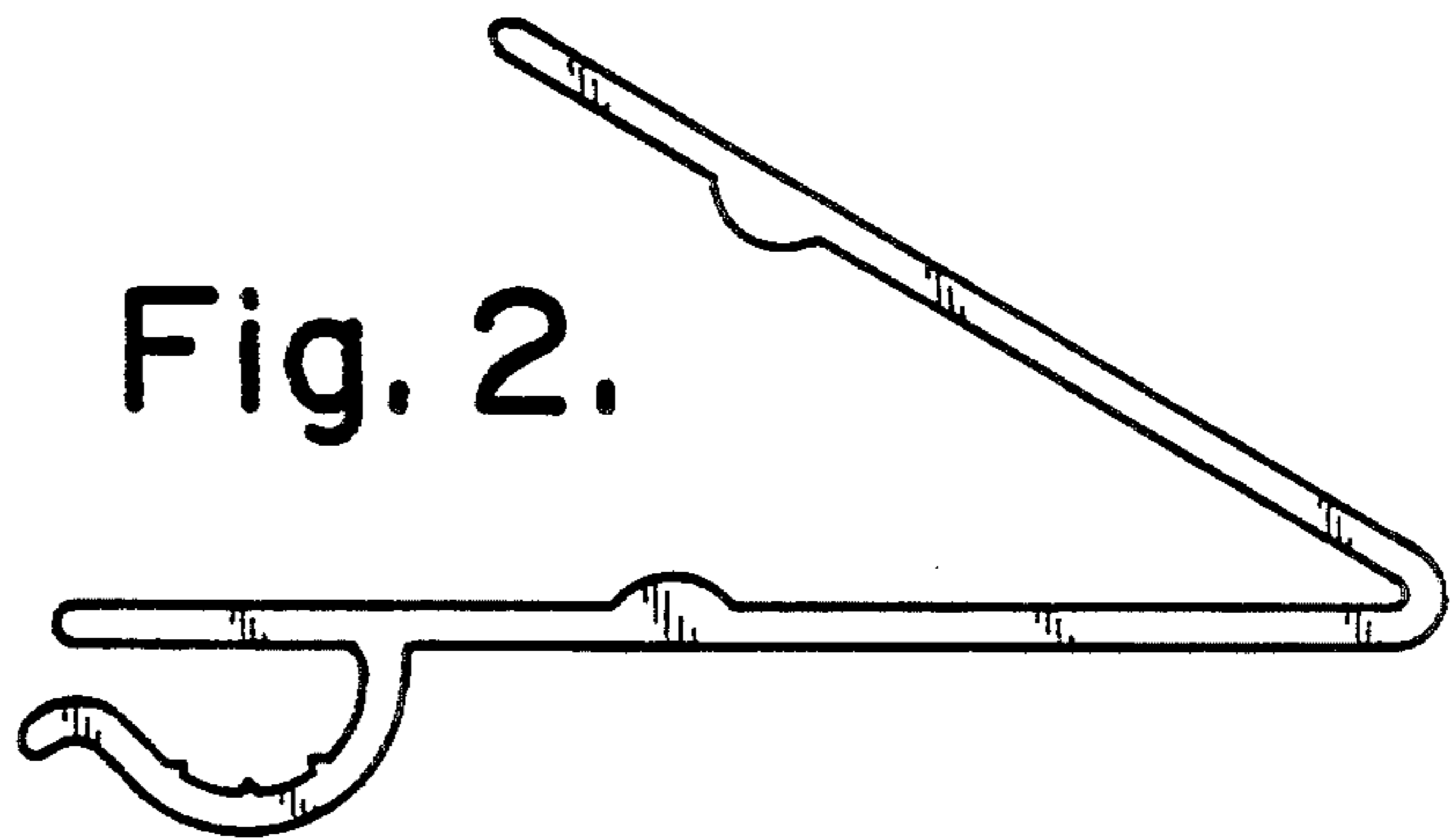


Fig. 2.

Fig. 4.

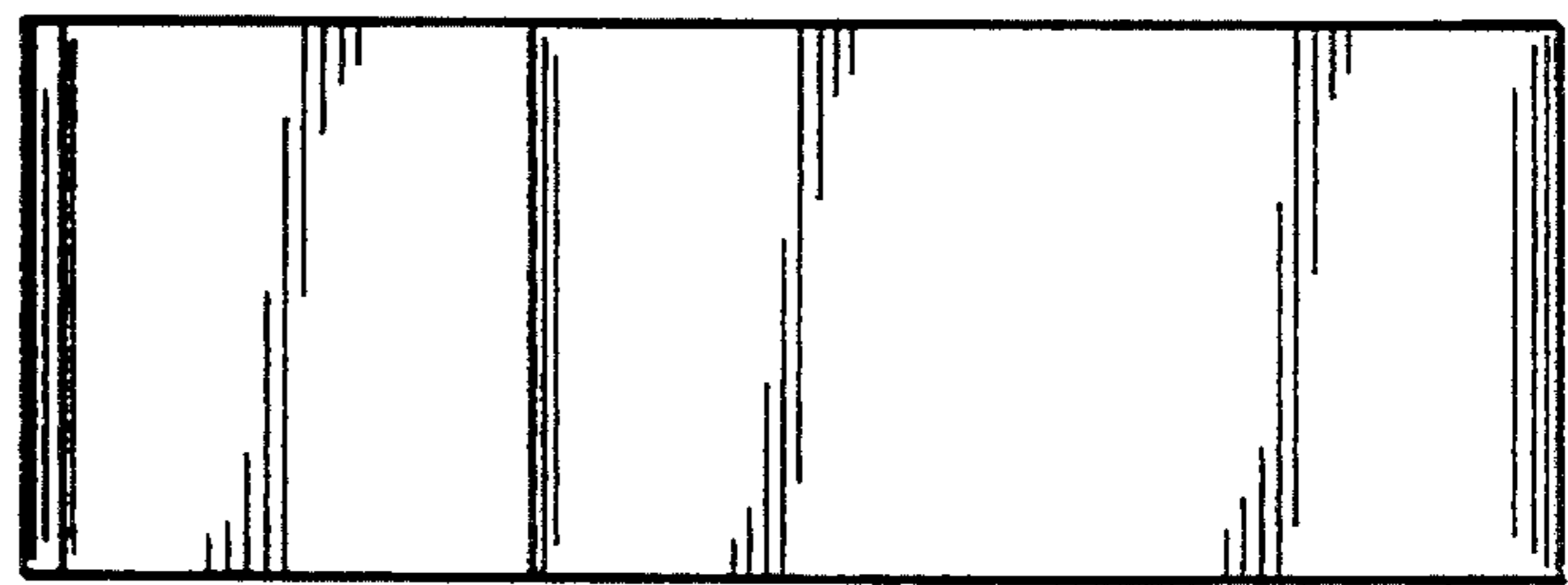


Fig. 5.

