



US00D361031S

United States Patent [19]
Marthaler

[11] **Patent Number: Des. 361,031**

[45] **Date of Patent: ** Aug. 8, 1995**

[54] **KEY WITH REMOVABLE COVER**

[75] Inventor: **Eduard Marthaler**, Adetswil,
Switzerland

[73] Assignee: **Bauer Kaba AG**, Wetzikon,
Switzerland

[**] Term: **14 Years**

[21] Appl. No.: **22,597**

[22] Filed: **May 9, 1994**

[30] **Foreign Application Priority Data**

Nov. 9, 1993 [WO] WIPO DM/027820

[52] **U.S. Cl.** **D8/347**

[58] **Field of Search** **D8/347-348;**
70/393, 395, 397-398, 402, 405-406, 408

[56] **References Cited**

U.S. PATENT DOCUMENTS

D. 307,704 5/1990 Vonlanthen D8/347

D. 343,783 1/1994 Zaugg et al. D8/347

3,349,589	10/1967	Fricke	70/395
3,526,112	9/1970	Herrington	70/395
3,797,291	3/1974	Simorghy	70/395
4,901,548	2/1990	Deslandes	70/408
5,076,081	12/1991	Boris, Jr.	70/398

Primary Examiner—Brian N. Vinson
Attorney, Agent, or Firm—Tarolli, Sundheim & Covell

[57] **CLAIM**

The ornamental design for the key with removable cover, as shown.

DESCRIPTION

FIG. 1 is a top, rear, and right side perspective view of a key with removable cover showing my new design; FIG. 2 is a bottom, front, and right side perspective view thereof;

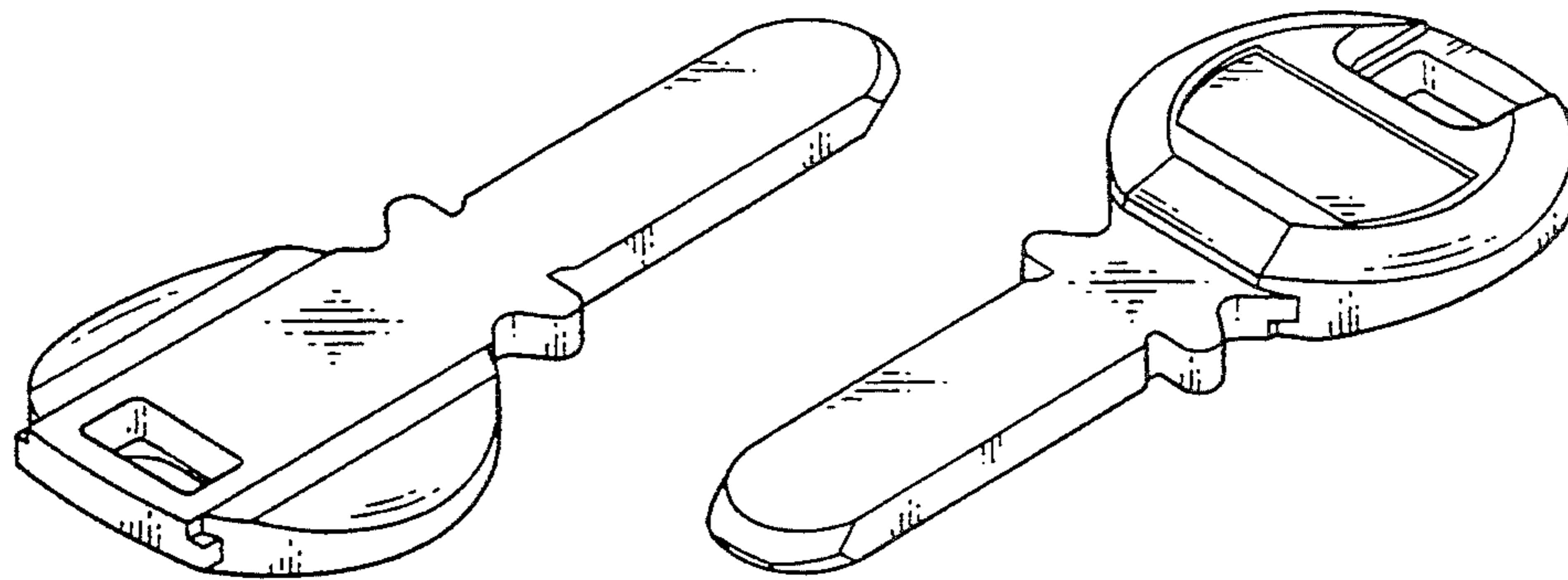
FIG. 3 is a front elevational view thereof;

FIG. 4 is a left side elevational view thereof;

FIG. 5 is a rear elevational view thereof;

FIG. 6 is a top plan view thereof; and,

FIG. 7 is a bottom plan view thereof.



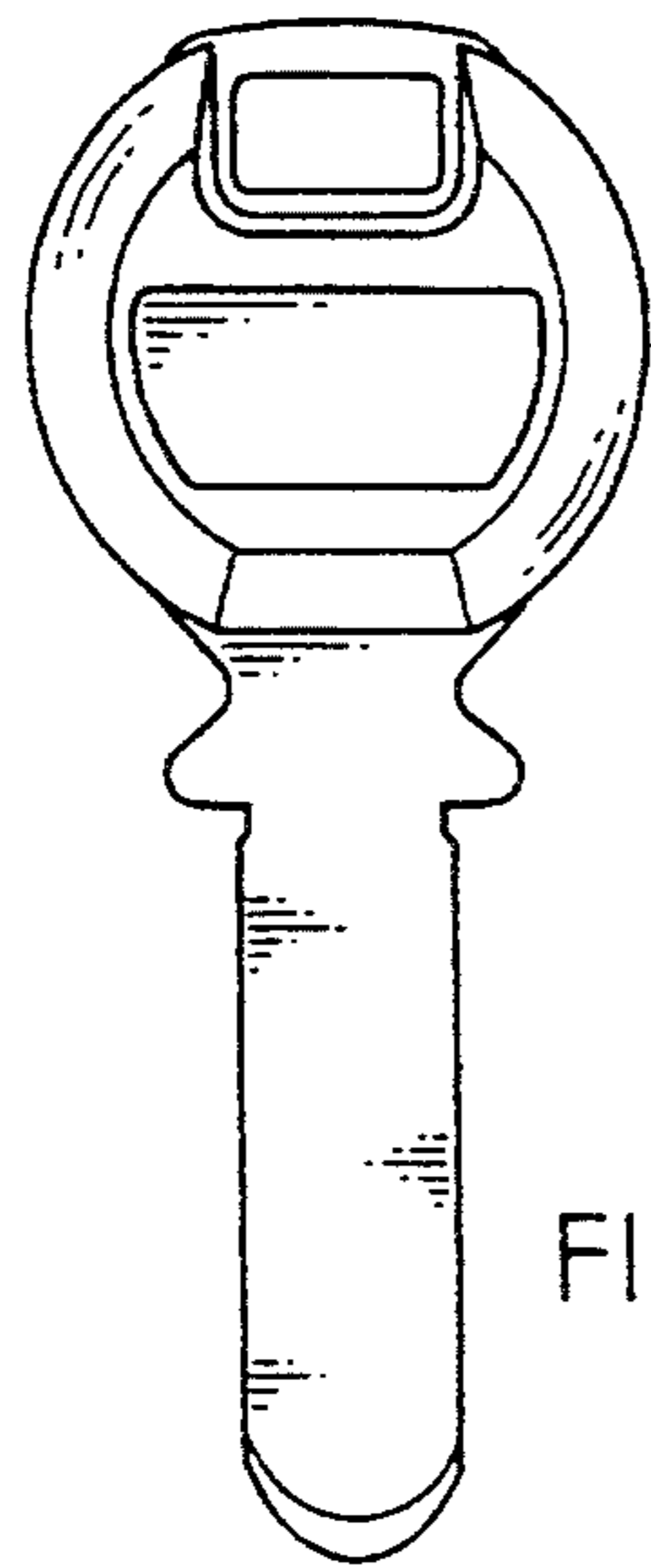
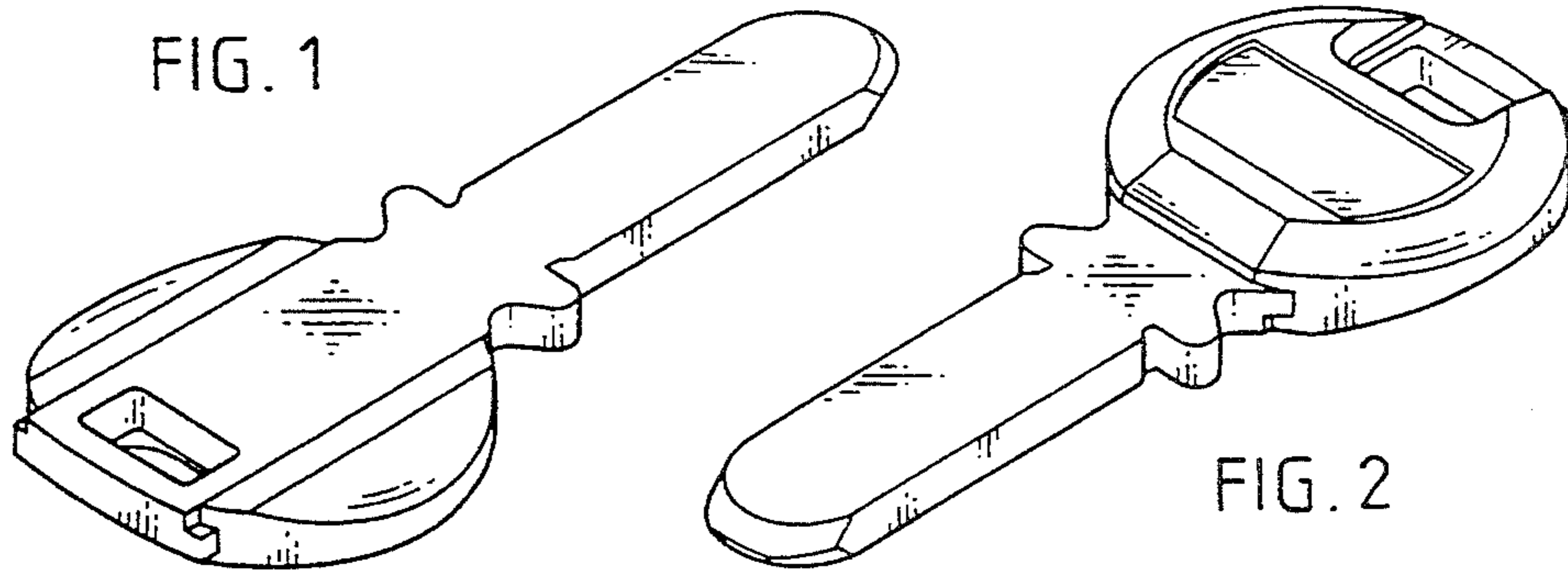


FIG. 3

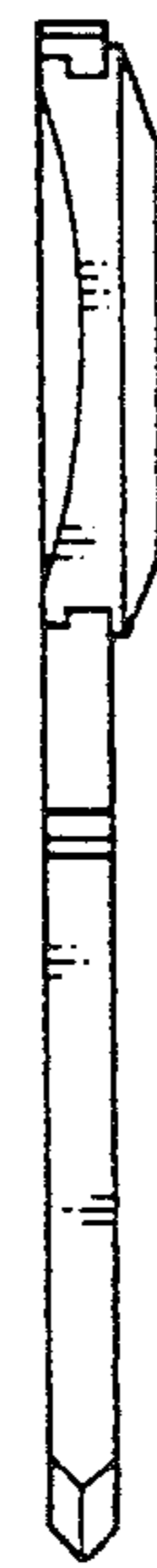


FIG. 4

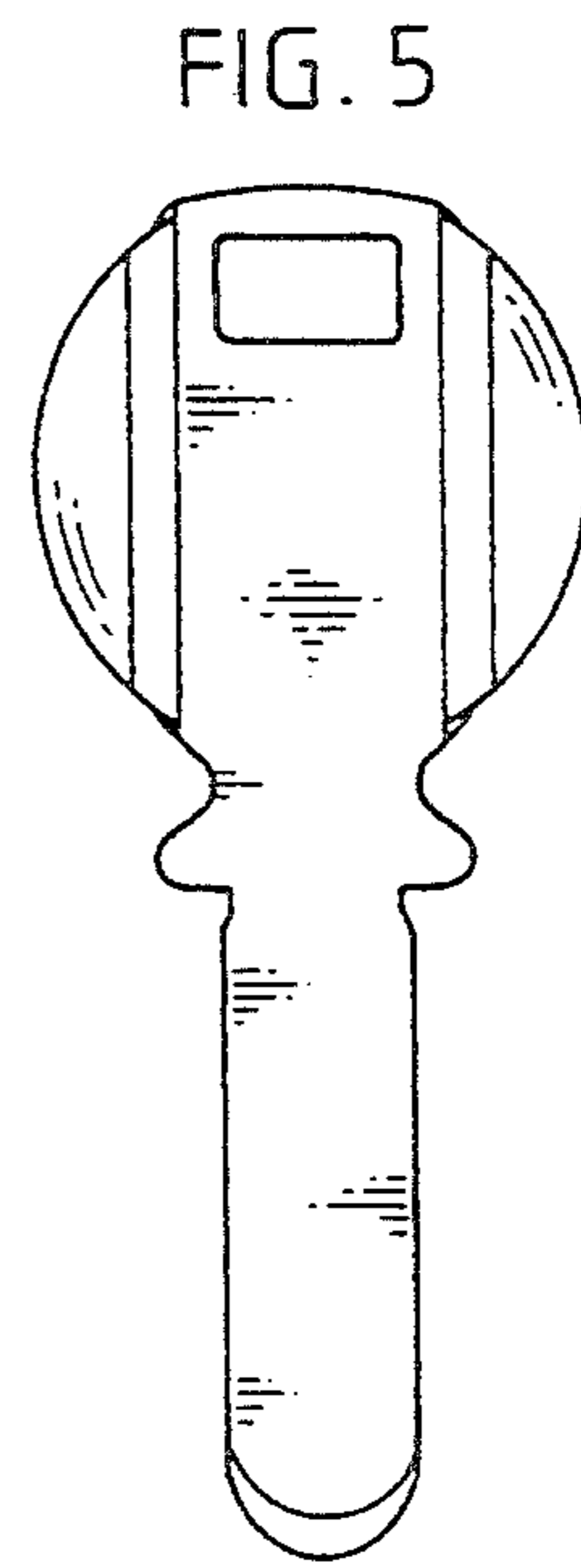


FIG. 5



FIG. 7