



US00D361028S

United States Patent [19]

[11] Patent Number: **Des. 361,028**

Izumisawa

[45] Date of Patent: **** Aug. 8, 1995**

[54] **ANGLE HEAD DIE GRINDER**

[76] Inventor: **Osamu Izumisawa**, 352-2, Mure, Kamiminochi, Nagano Pref. 389-12, Japan

- D. 320,541 10/1991 Staubitz et al. D8/61
- D. 327,620 7/1992 Fisher D8/68
- D. 329,580 9/1992 Sasaki et al. D8/68
- D. 333,246 2/1993 Fushiya et al. D8/68

[*] Notice: The portion of the term of this patent subsequent to May 2, 2009 has been disclaimed.

[**] Term: **14 Years**

[21] Appl. No.: **20,802**

[22] Filed: **Mar. 31, 1994**

OTHER PUBLICATIONS

Shinano Pneumatic Industries Inc., SP Pneumatic Tools, p. 17 Mar. 31, 1994.

Primary Examiner—Alan P. Douglas
Assistant Examiner—Jeffry H. Musgrove
Attorney, Agent, or Firm—Senniger, Powers, Leavitt & Roedel

Related U.S. Application Data

- [63] Continuation-in-part of Ser. No. 18,621, Feb. 10, 1994.
- [52] U.S. Cl. **D8/68**
- [58] Field of Search D8/61, 62, 68; 173/170, 173/216, 217, 218; 81/57, 57.11, 57.13

[57] **CLAIM**

The ornamental design for angle head die grinder, as shown and described.

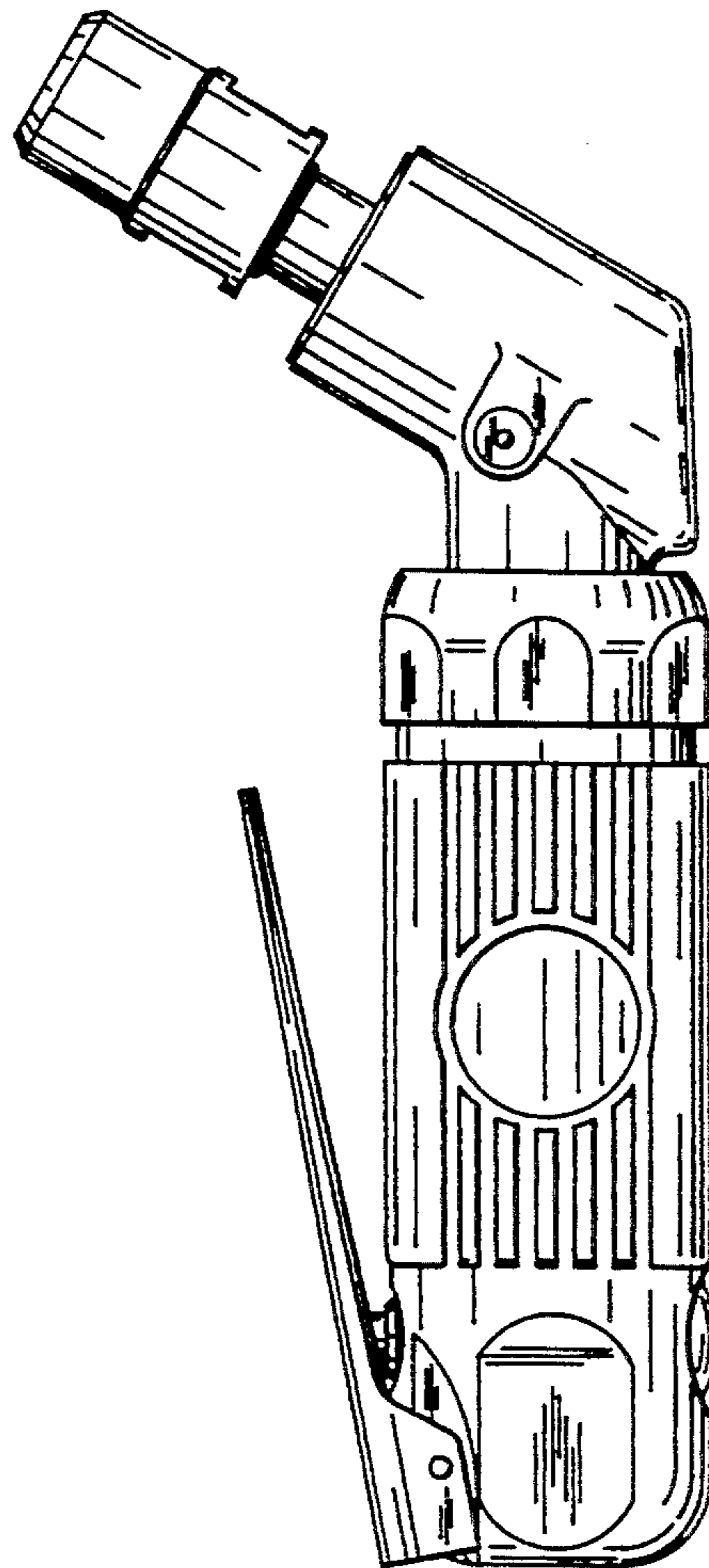
[56] **References Cited**

U.S. PATENT DOCUMENTS

- D. 320,540 10/1991 Staubitz et al. D8/61

DESCRIPTION

FIG. 1 is a right side elevational view of an angle head die grinder showing my new design; FIG. 2 is a left side elevational view thereof; FIG. 3 is a top plan view thereof; FIG. 4 is a bottom plan view thereof; FIG. 5 is a rear elevational view thereof; and, FIG. 6 is a front elevational view thereof.



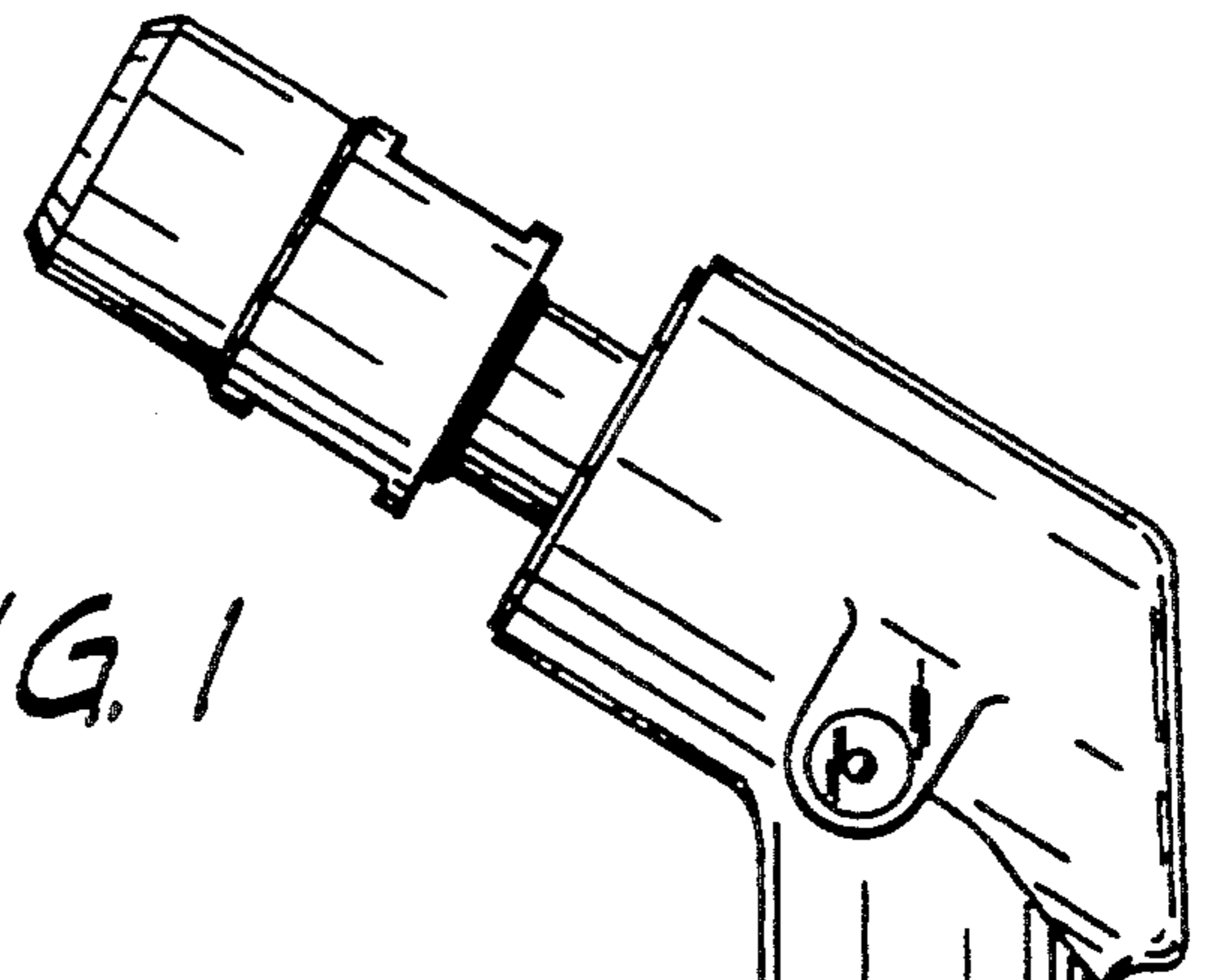


FIG. 1

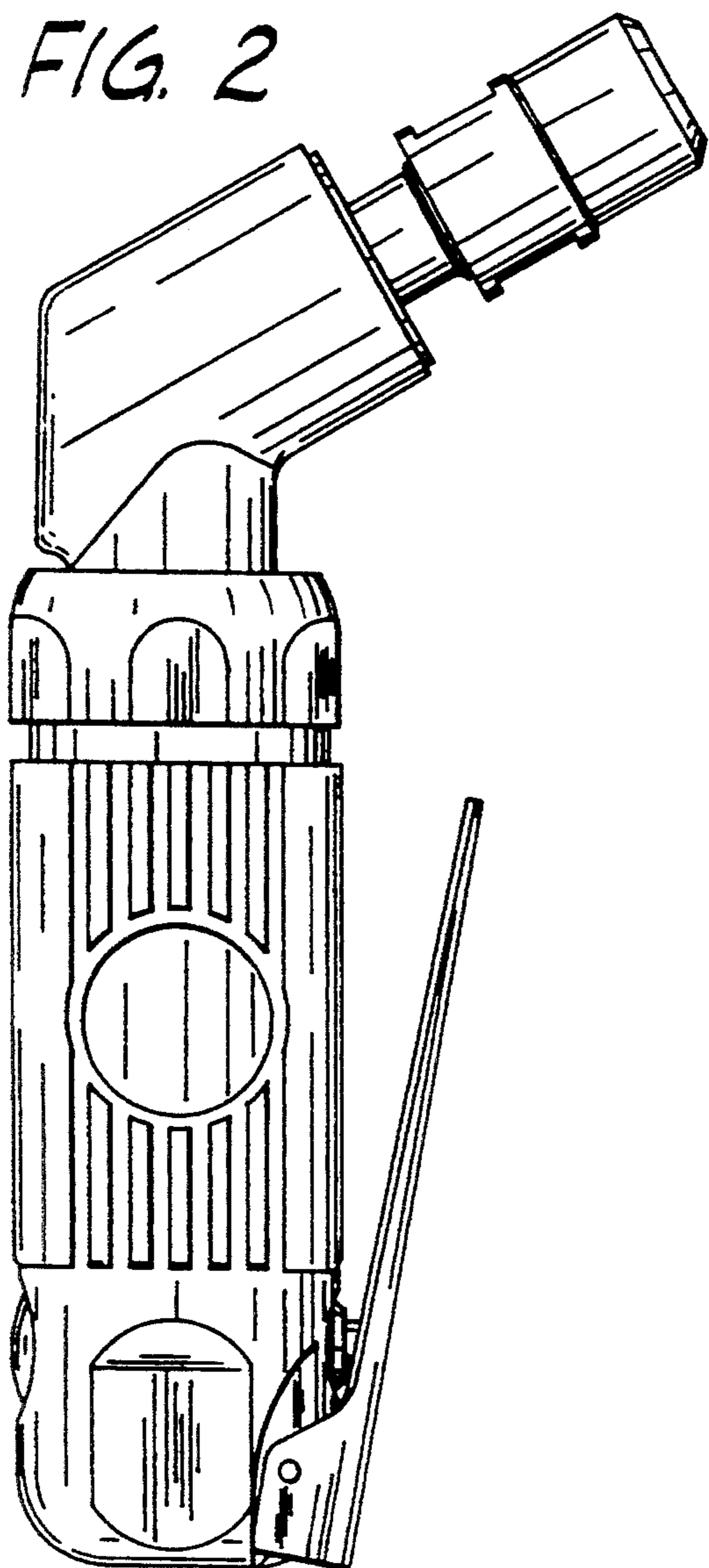


FIG. 2

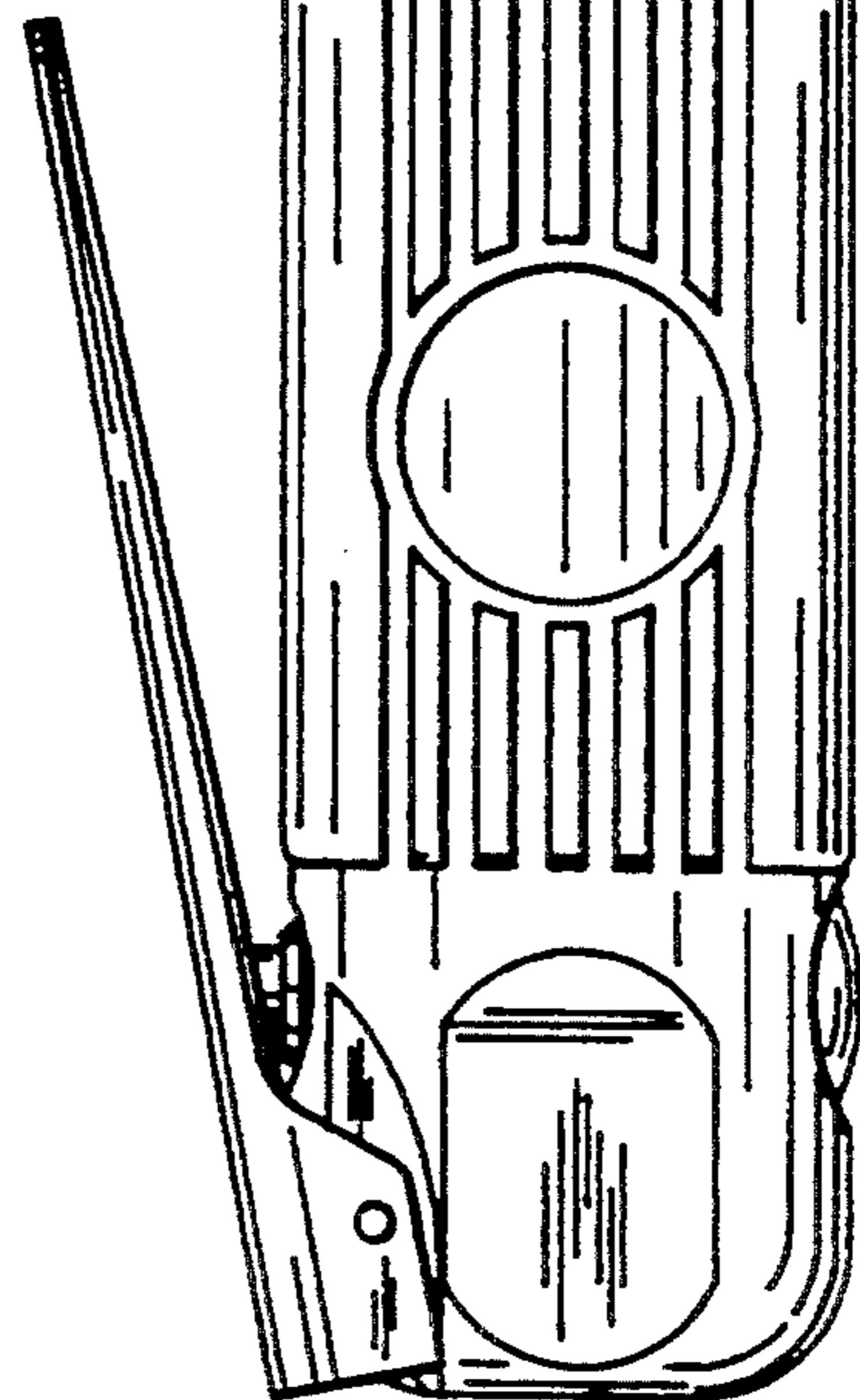


FIG. 3

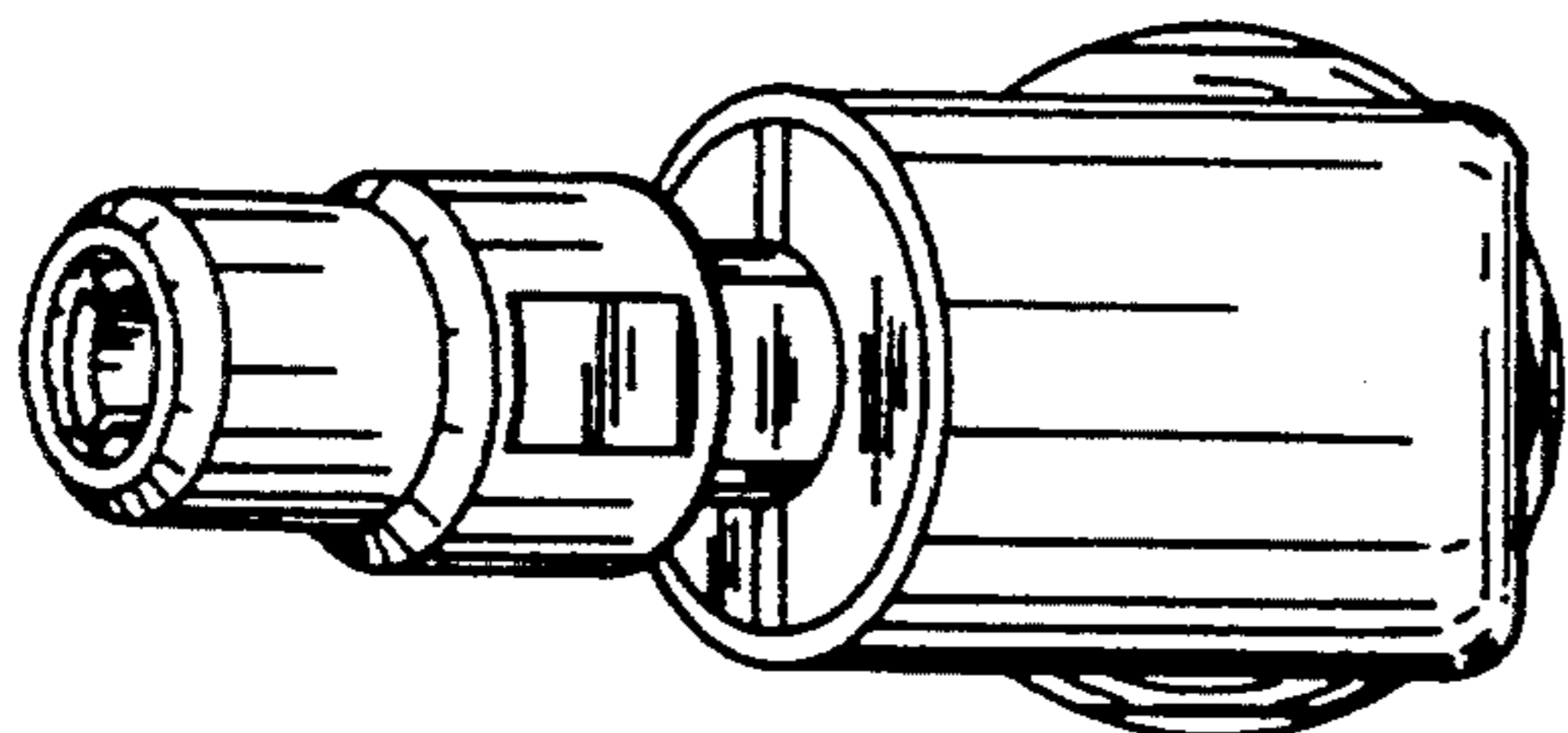


FIG. 4

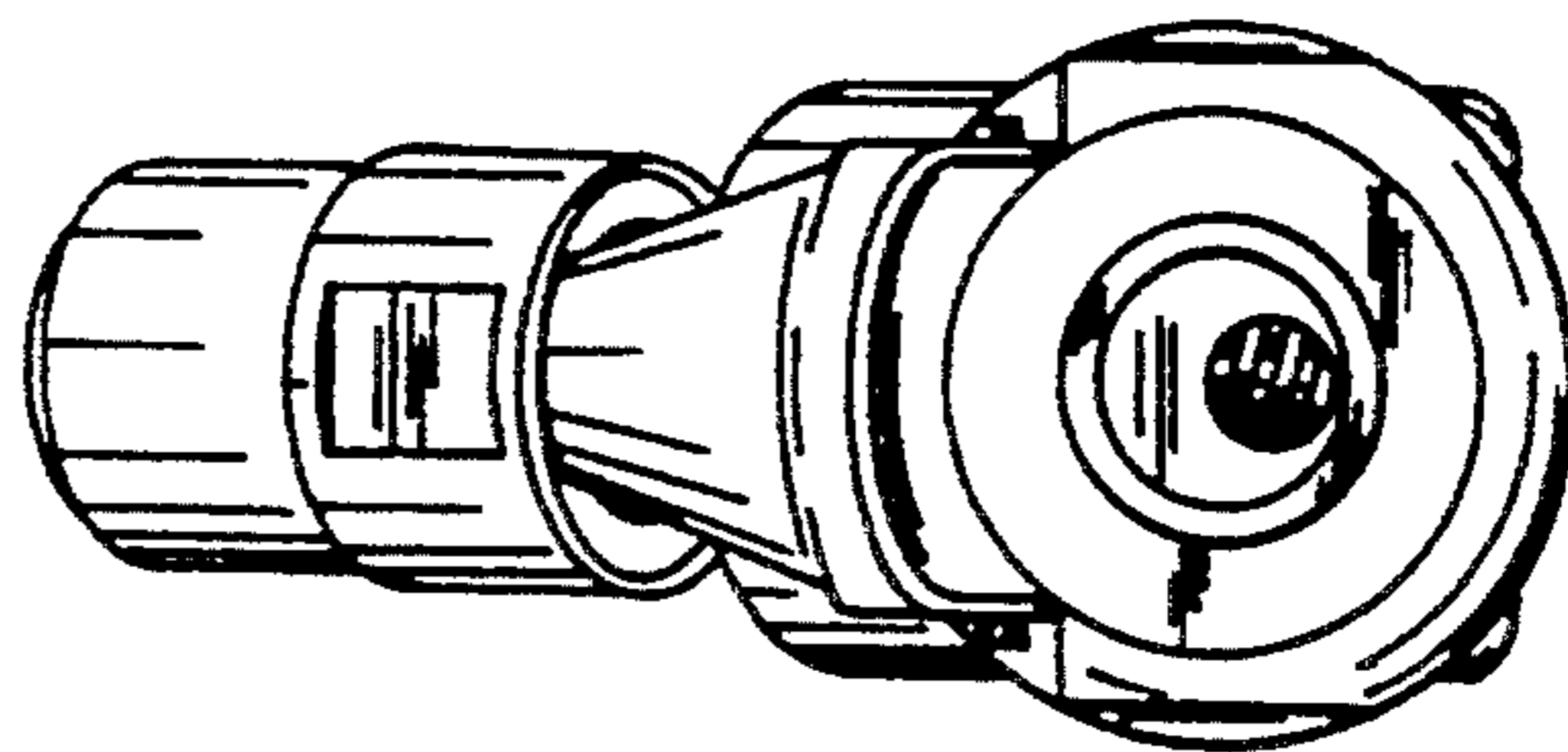


FIG. 5

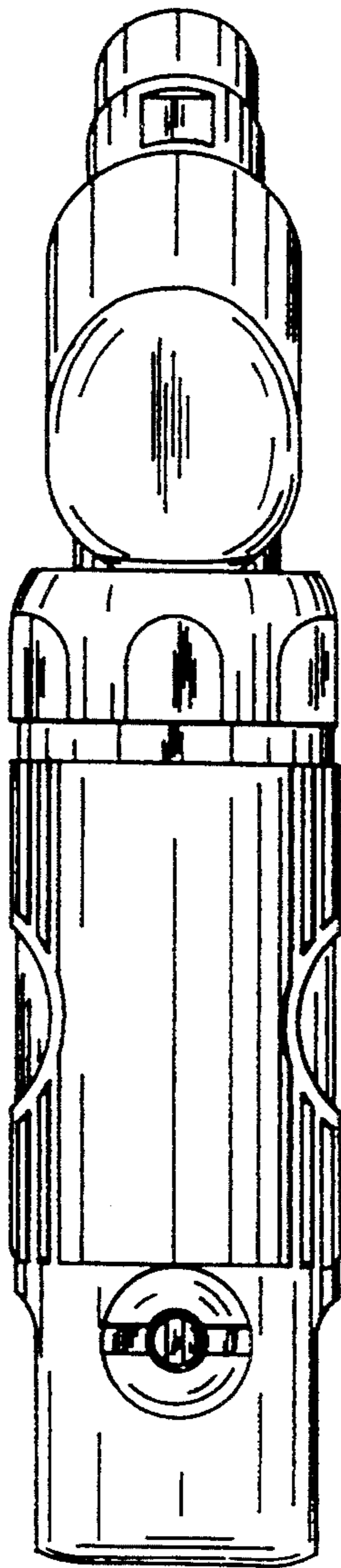


FIG. 6

