



US00D361027S

# United States Patent [19]

[11] Patent Number: Des. 361,027

Striffler

[45] Date of Patent: \*\* Aug. 8, 1995

- [54] HYDRAULIC CUTTER FOR A GRATING
- [76] Inventor: Gerald Striffler, Box 20, Kent, Minn. 56553
- [\*\*] Term: 14 Years
- [21] Appl. No.: 27,449
- [22] Filed: Aug. 22, 1994
- [52] U.S. Cl. .... D8/61; 30/228
- [58] Field of Search ..... D8/61, 98; 30/228, 188, 30/245

4,807,340 2/1989 Fuller et al. .... 29/157 R  
 4,897,921 2/1990 Ramun ..... 30/228

*Primary Examiner*—Alan P. Douglas  
*Assistant Examiner*—Jeffry H. Musgrove  
*Attorney, Agent, or Firm*—Kevin A. Sembrat

### [57] CLAIM

The ornamental design for a hydraulic cutter for a grating, as shown and described.

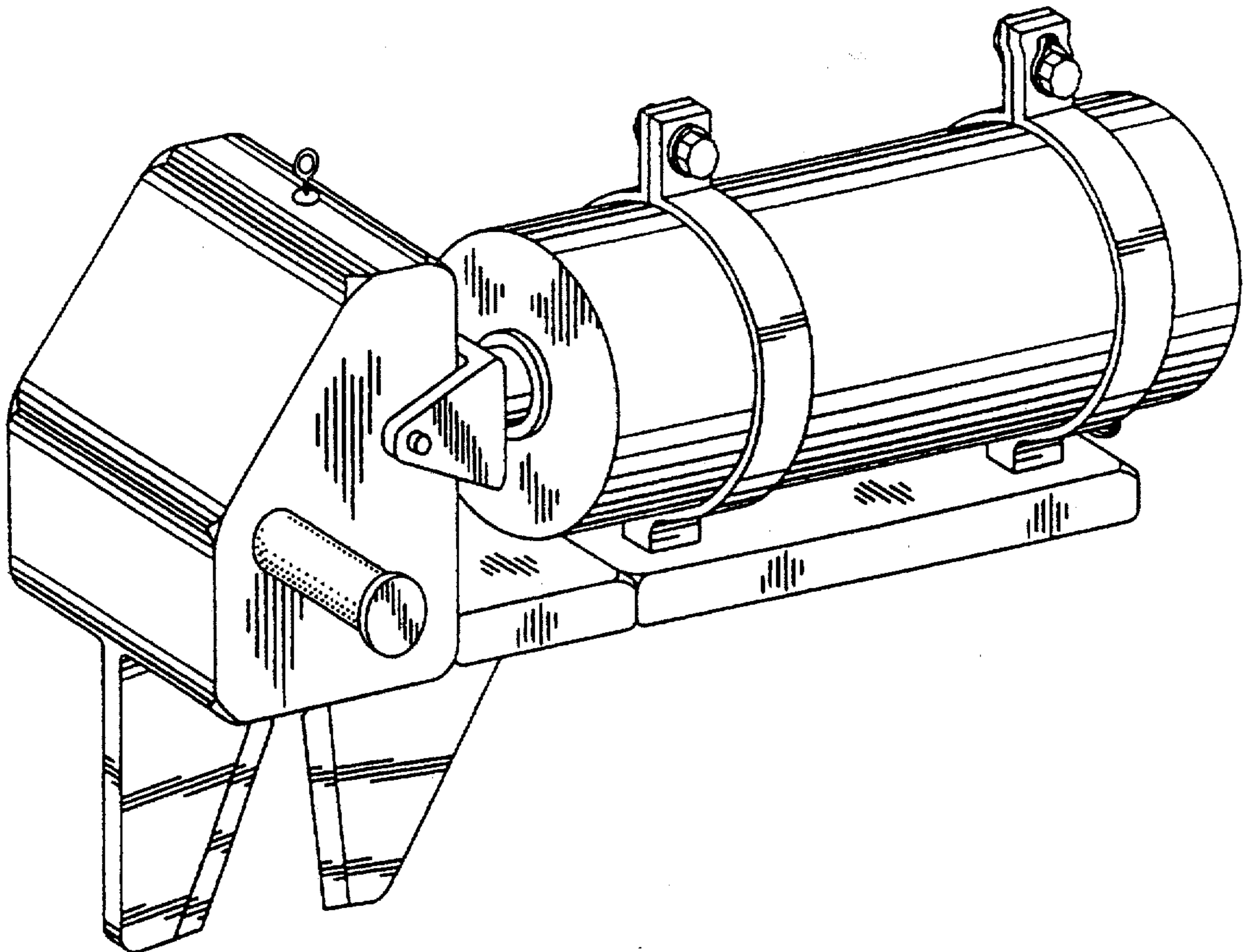
### DESCRIPTION

FIG. 1 is a top, front and right side perspective view of a hydraulic cutter for a grating showing my new design; FIG. 2 is a right side, elevational view thereof, with cutting blades in an open position; FIG. 3 is a right side, elevational view thereof, with cutting blades in a closed position; FIG. 4 is a left side, elevational view thereof, with cutting blades in an open position; FIG. 5 is a front elevational view thereof; FIG. 6 is a rear elevational view thereof; FIG. 7 is a top plan view thereof; and, FIG. 8 is a bottom plan view thereof.

### [56] References Cited

#### U.S. PATENT DOCUMENTS

D. 308,809	6/1990	Kawabata	.....	D8/61
3,772,780	11/1973	Bahre	.....	30/90.2
3,848,334	11/1974	Mattela	.....	30/180
4,057,897	11/1977	Seymour	.....	30/272 R
4,382,331	5/1983	Kimura	.....	30/180
4,627,167	12/1986	Karubian et al.	.....	30/228
4,686,767	8/1987	Ramun et al.	.....	30/228
4,734,983	4/1988	Brick	.....	30/228
4,760,644	8/1988	Yirmiyahu et al.	.....	30/180



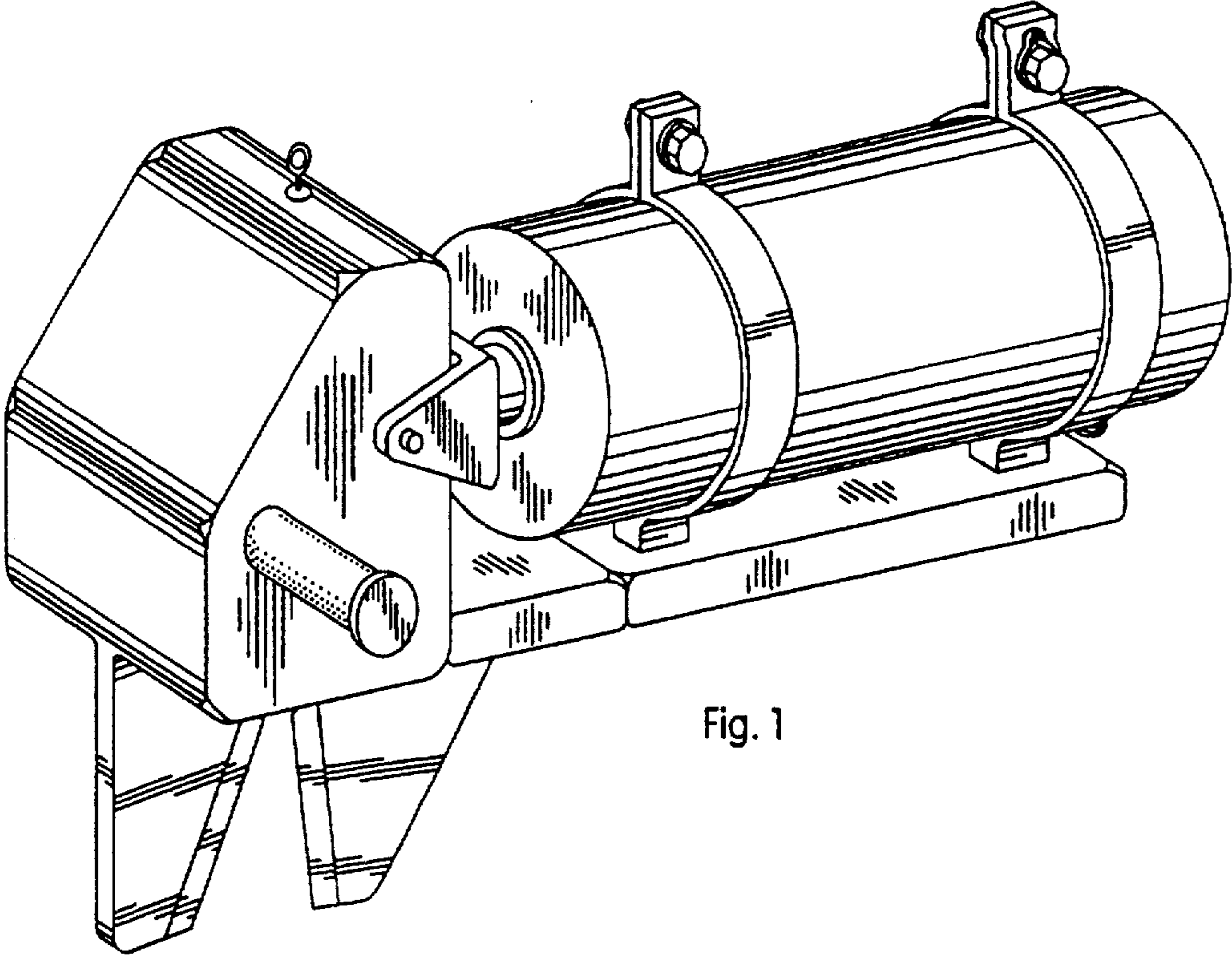


Fig. 1

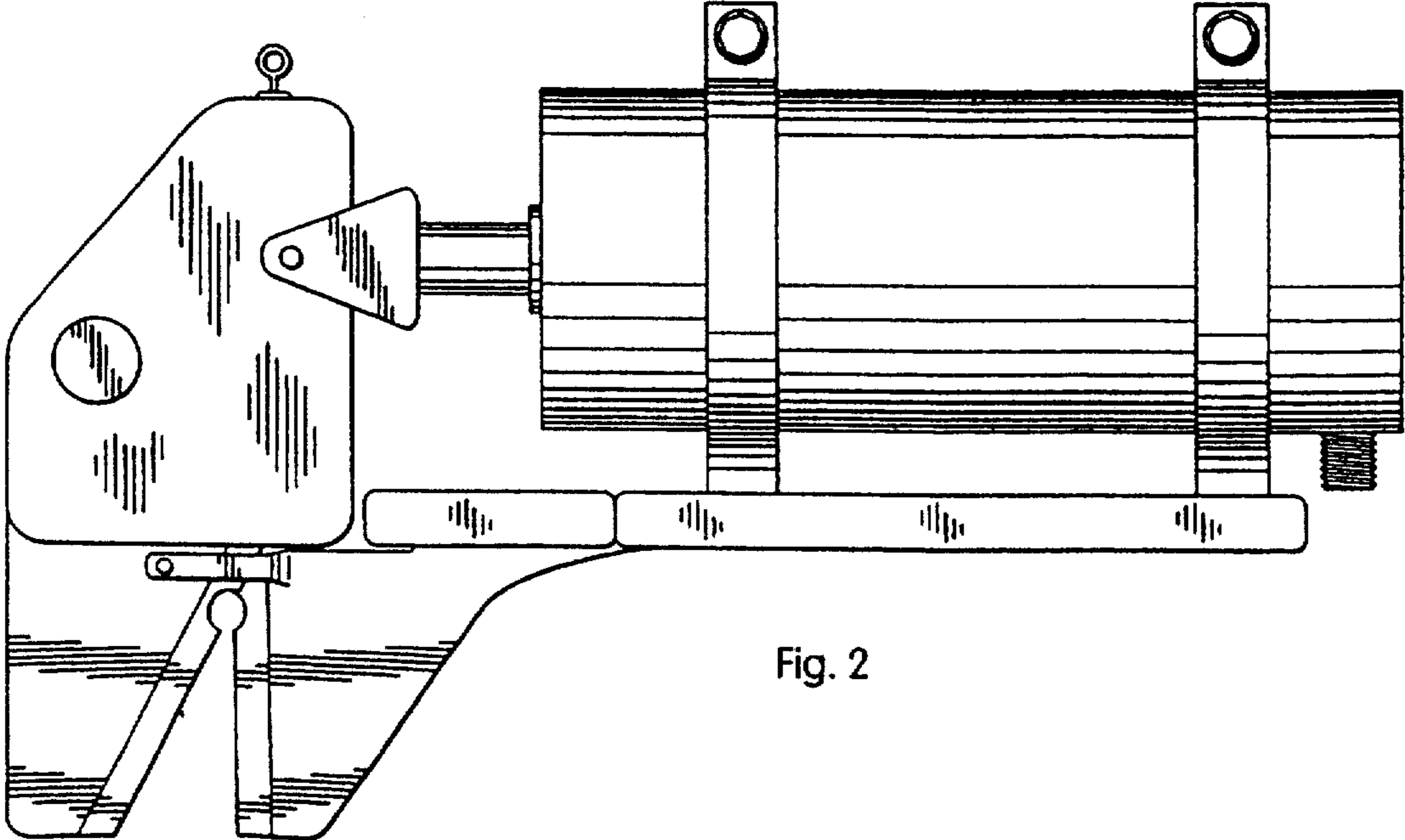


Fig. 2

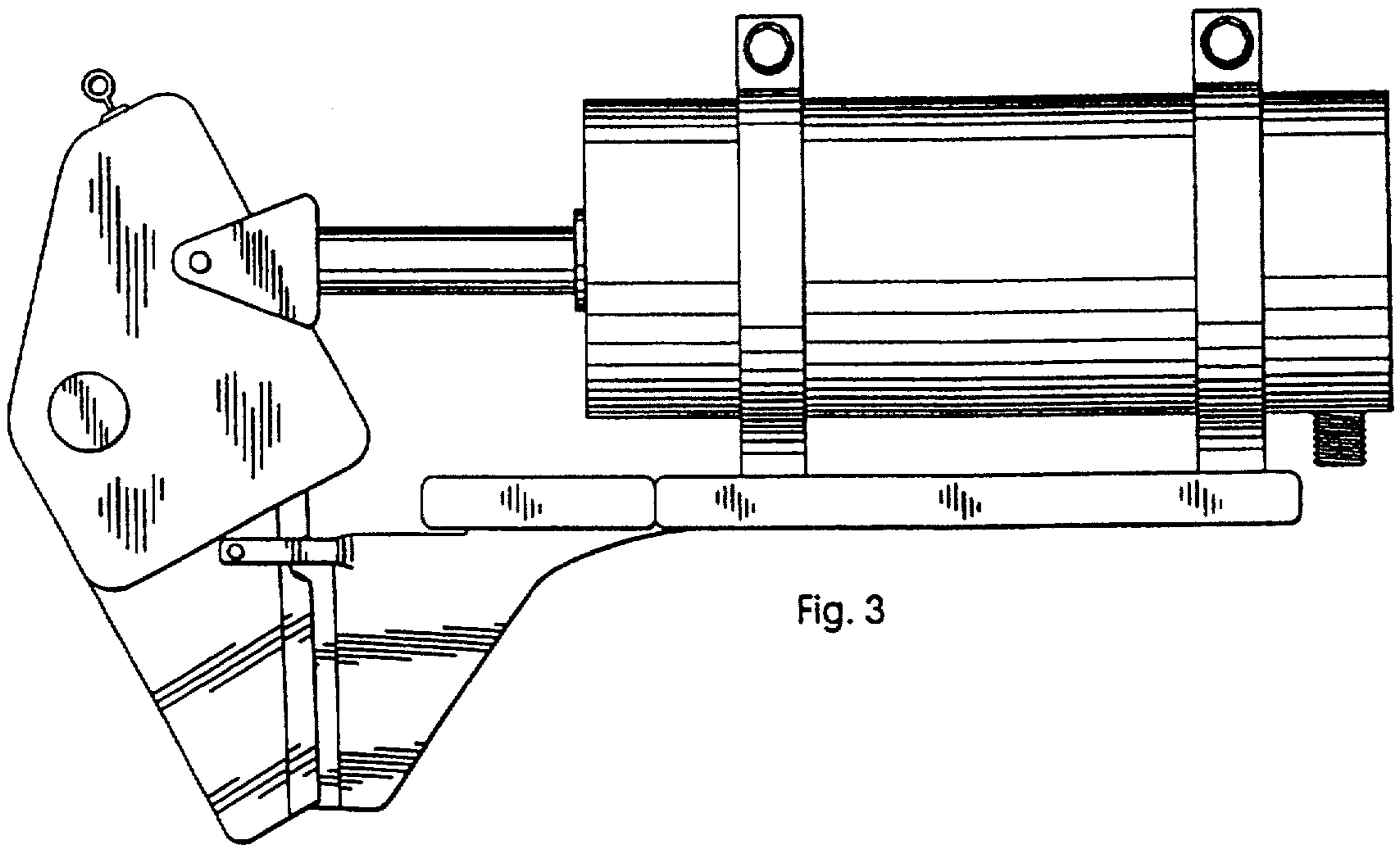


Fig. 3

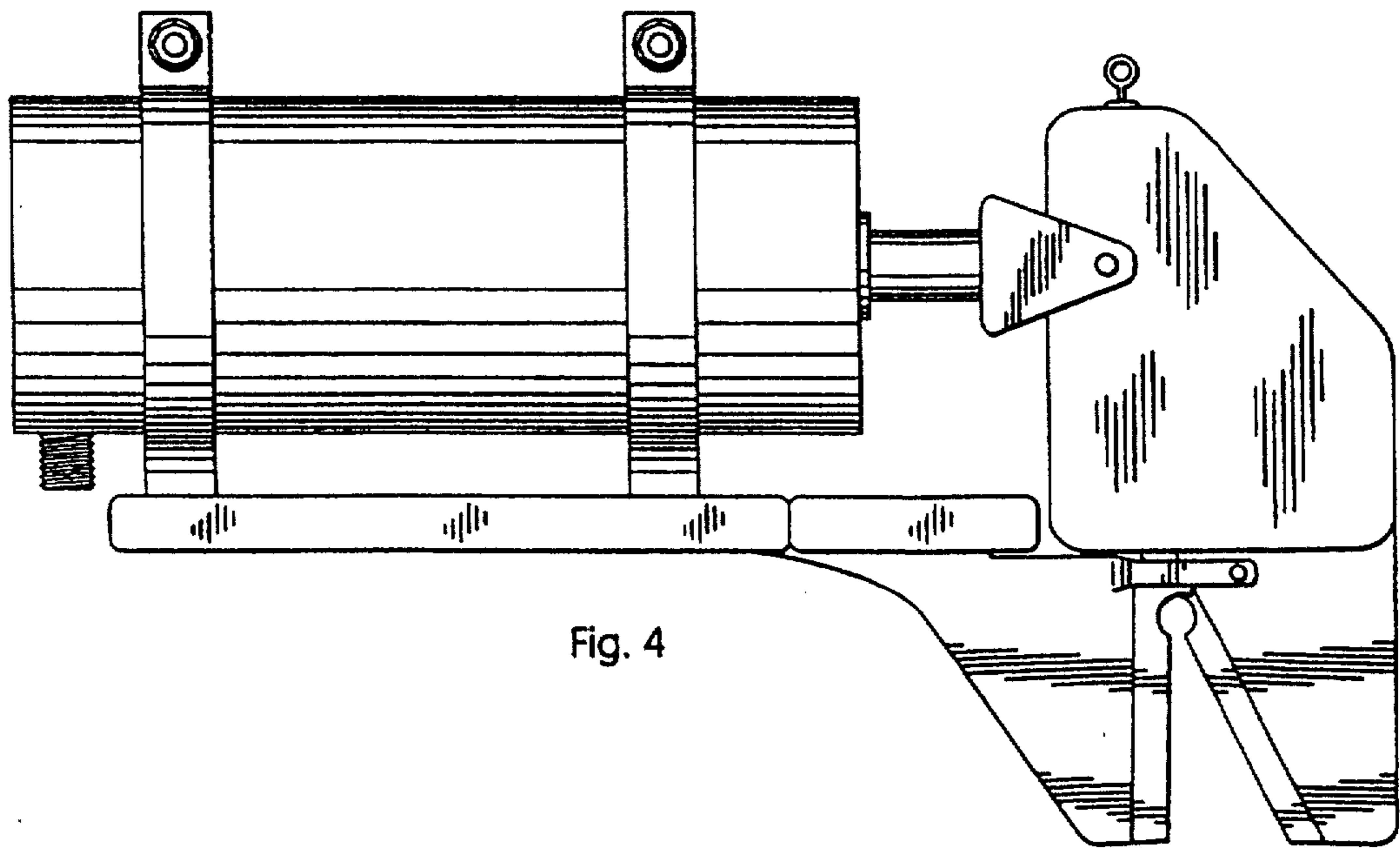


Fig. 4

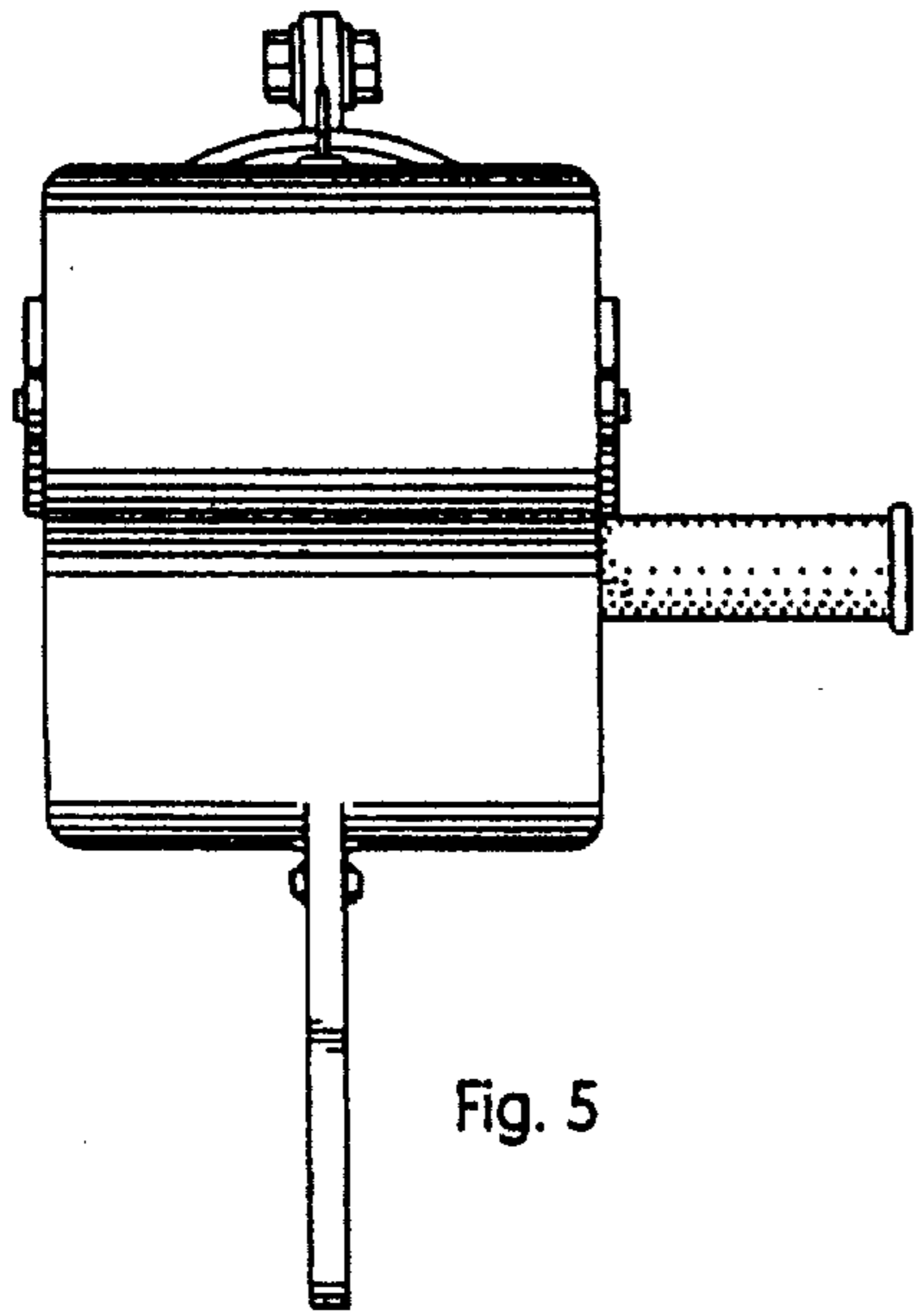


Fig. 5

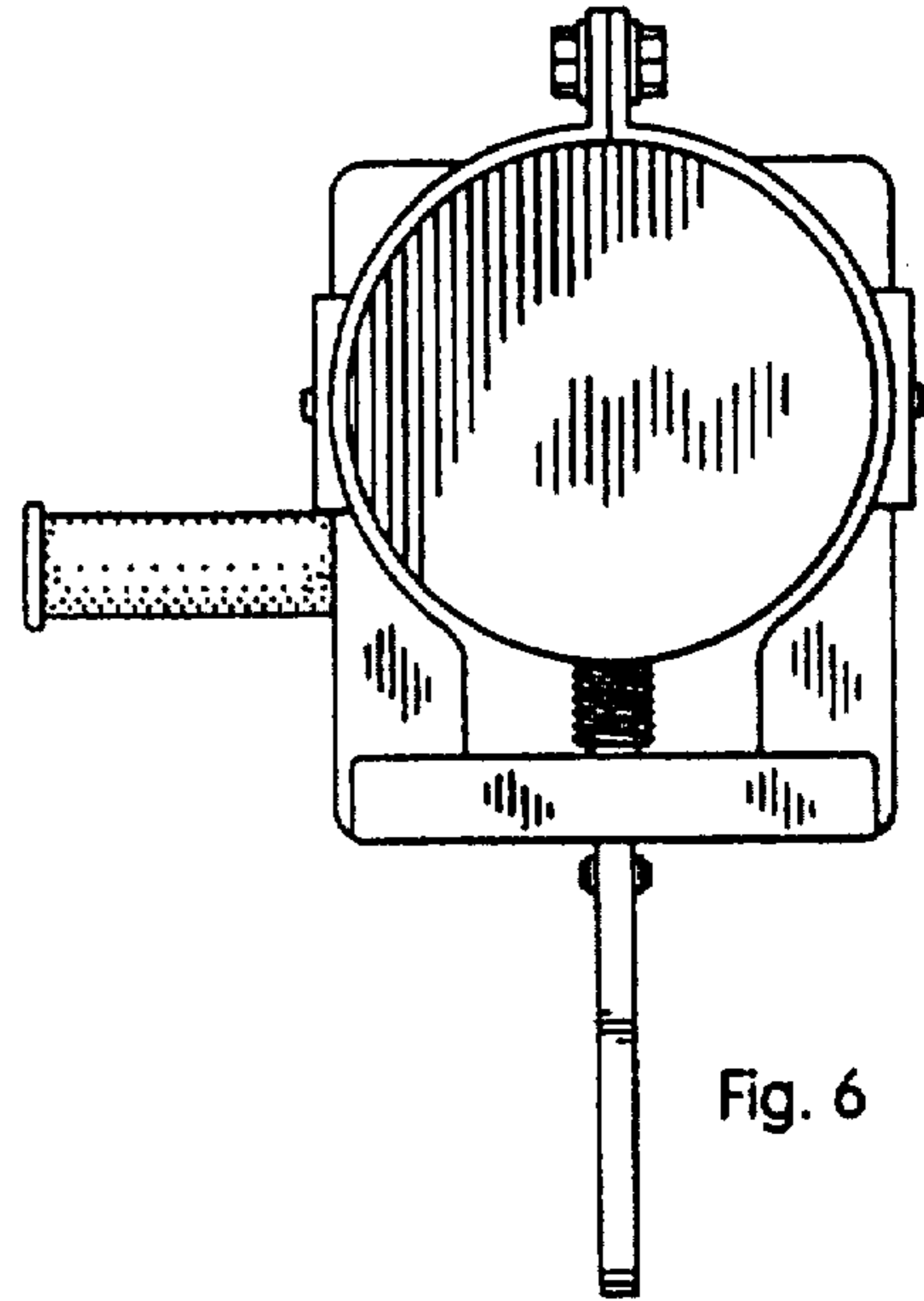


Fig. 6

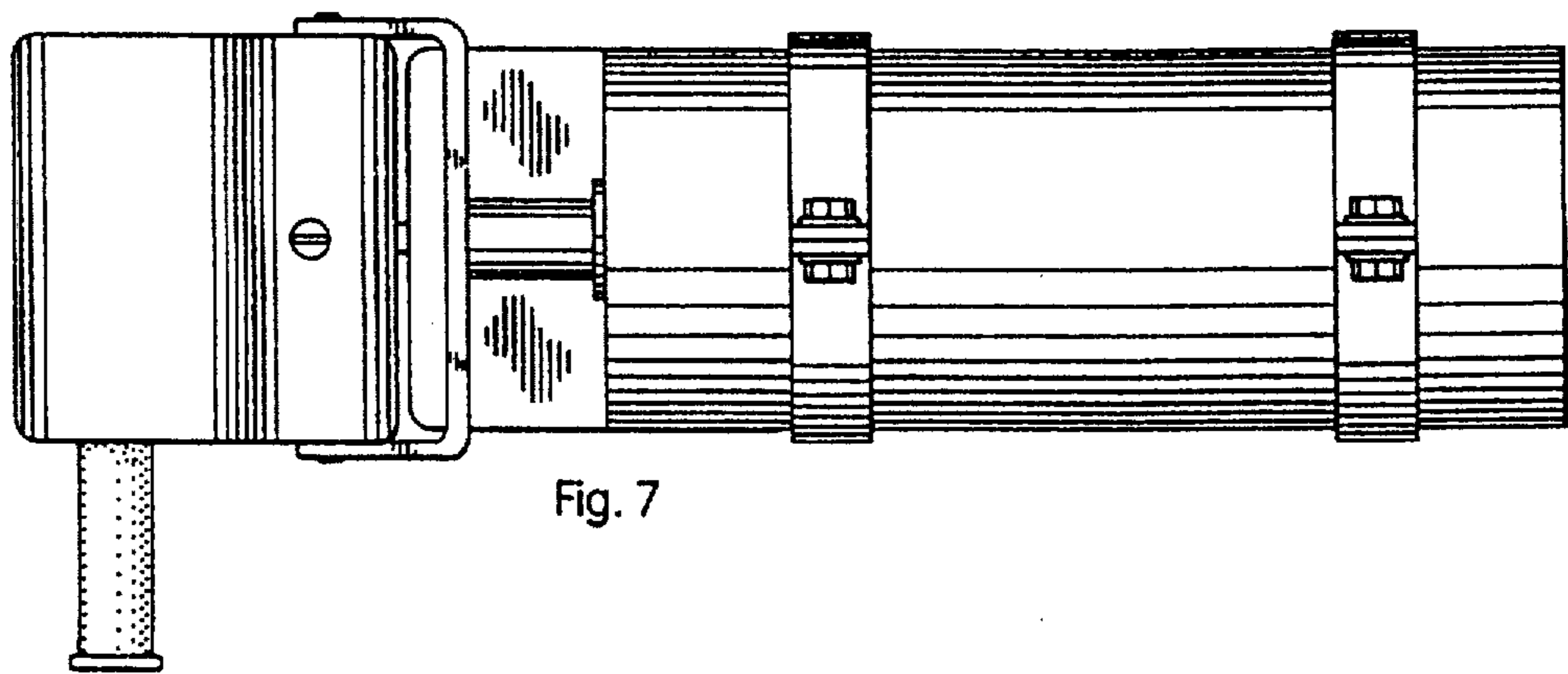


Fig. 7

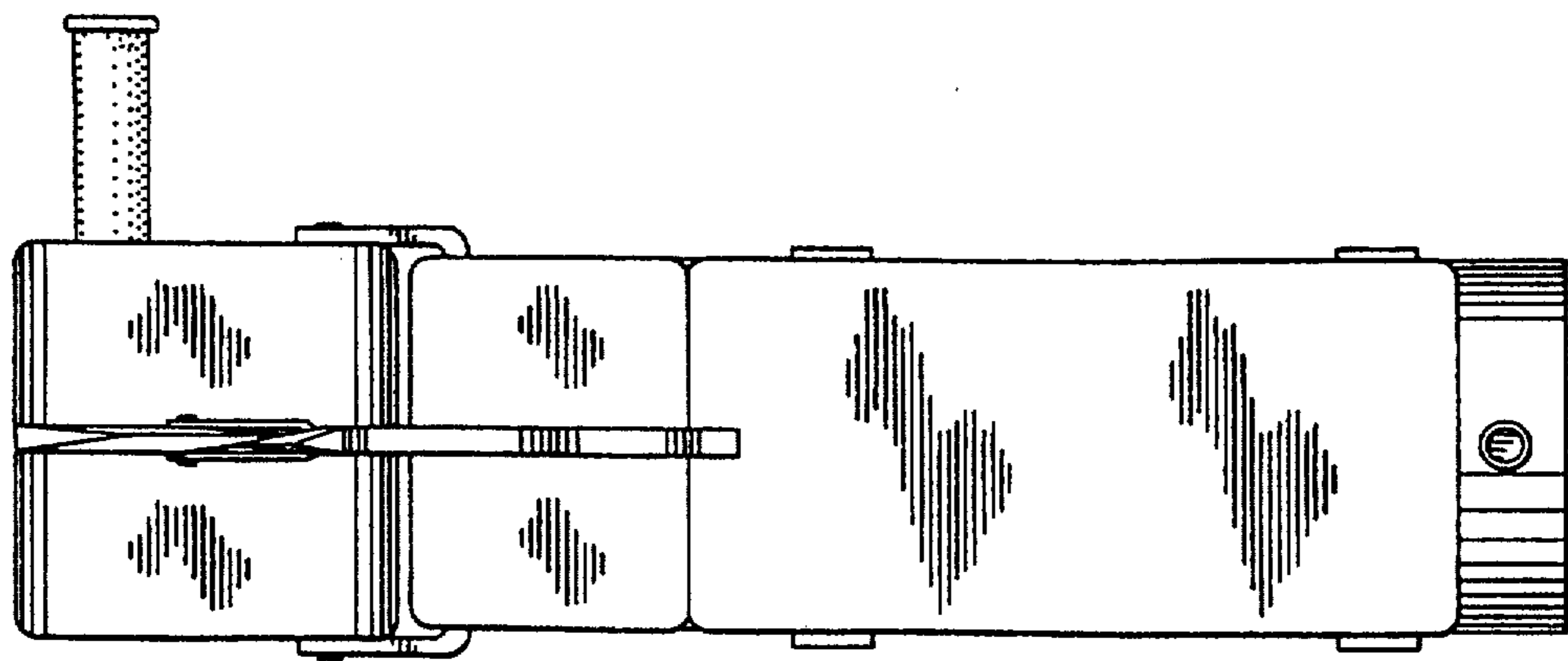


Fig. 8