



US00D361019S

# United States Patent [19]

[11] Patent Number: **Des. 361,019**

Voglis

[45] Date of Patent: **\*\* Aug. 8, 1995**

[54] **TRIANGULAR SHAPED  
NAPKIN/SERViette HOLDER**

3,013,668 12/1961 Mennen ..... 211/40  
4,438,852 3/1984 Evans ..... D19/90 X

[76] Inventor: **Christopher Voglis, P.O. Box 300,  
Fairfield 3078 Victoria, Australia**

### OTHER PUBLICATIONS

The plastic Showcase, Magazine Rack, top left corner.

[\*\*] Term: **14 Years**

*Primary Examiner*—Terry A. Wallace

[21] Appl. No.: **331**

*Attorney, Agent, or Firm*—Davis, Bujold & Streck

[22] Filed: **Oct. 7, 1992**

### [57] CLAIM

The ornamental design for a triangular shaped napkin/-  
serviette holder, as shown and described.

### [30] Foreign Application Priority Data

Apr. 8, 1992 [AU] Australia ..... 878/92

### DESCRIPTION

[52] U.S. Cl. .... **D7/633**

[58] Field of Search ..... D7/631-634;  
D6/407; D19/86, 90-91, 95; 211/40-41, 50

FIG. 1 is a top plan view of a triangular shaped napkin/-  
serviette holder showing my new design;

FIG. 2 is a perspective view thereof in a folded position;

FIG. 3 is a top plan view of FIG. 2;

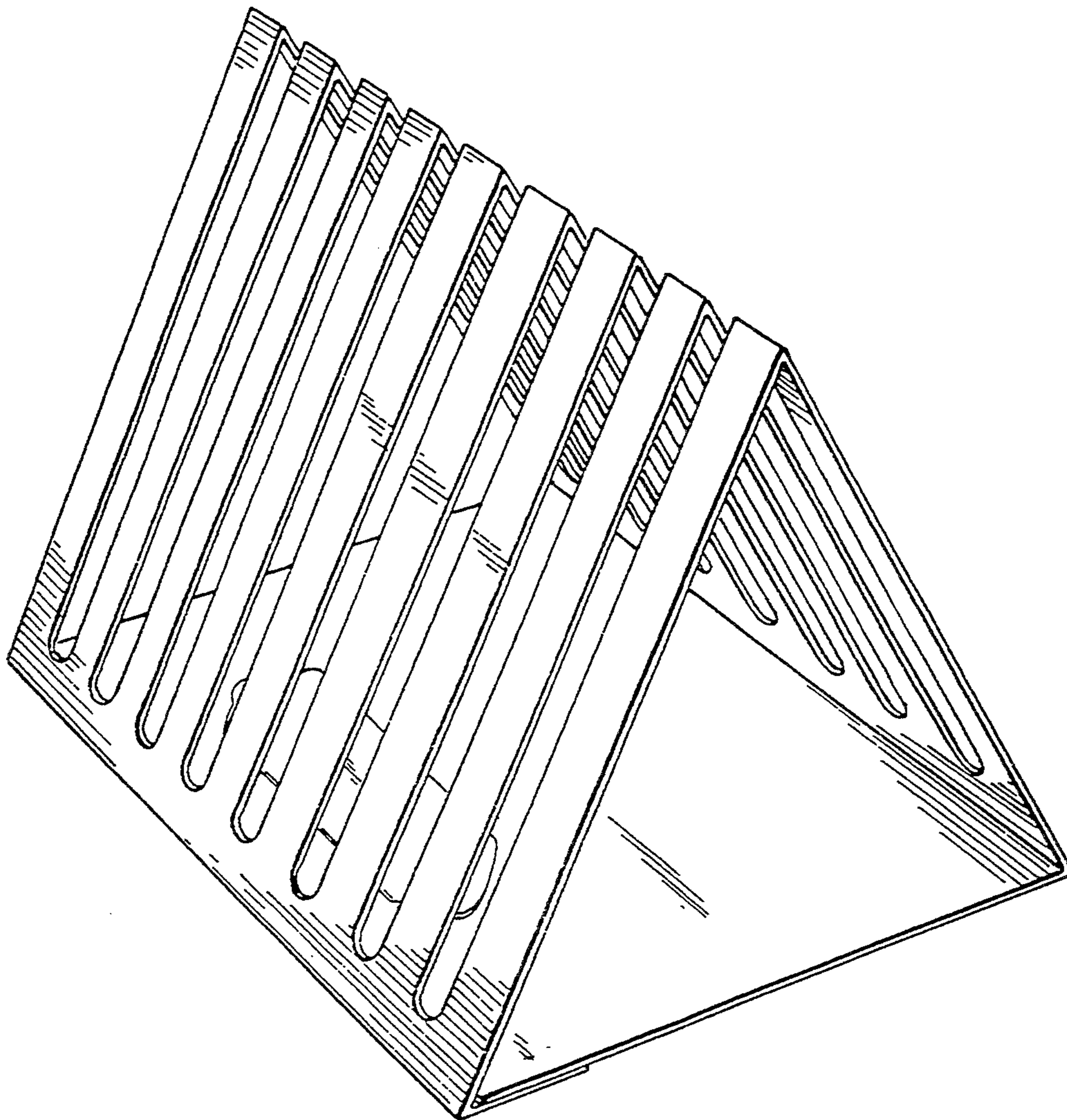
FIG. 4 is a right side elevational view of FIG. 2, the  
opposite side being a mirror image; and,

FIG. 5 is a front elevational view of FIG. 2, the oppo-  
site side being substantially a mirror image.

### [56] References Cited

#### U.S. PATENT DOCUMENTS

D. 132,201 4/1942 Slough ..... D6/407  
D. 209,455 12/1967 Clark ..... D6/407



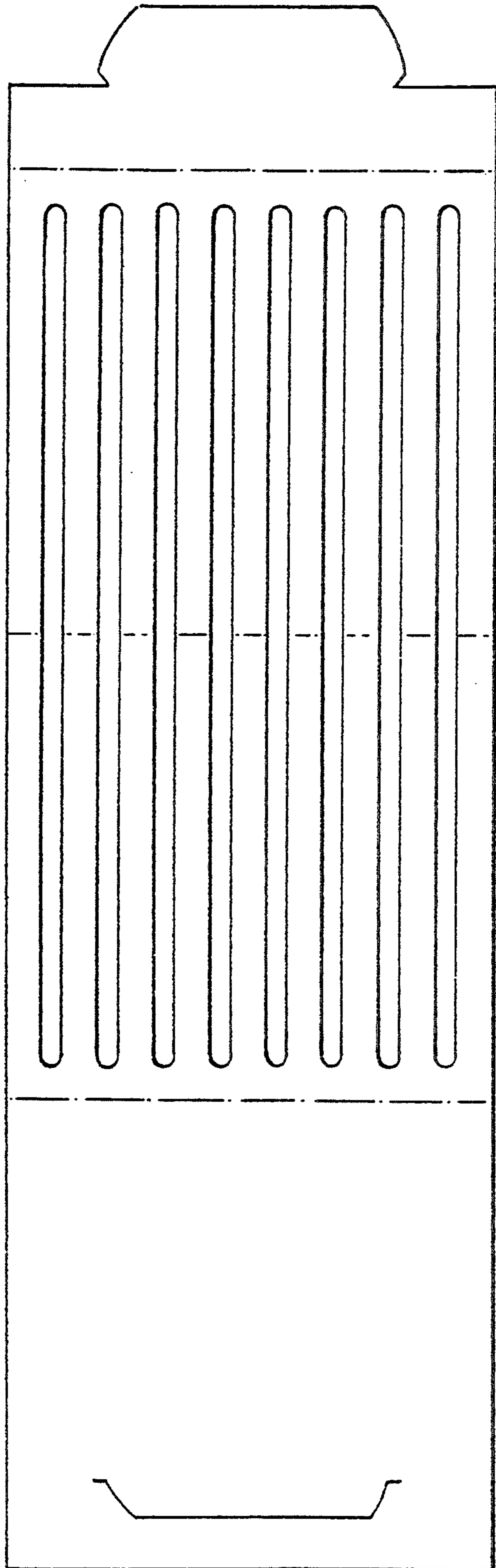


FIG. 1.

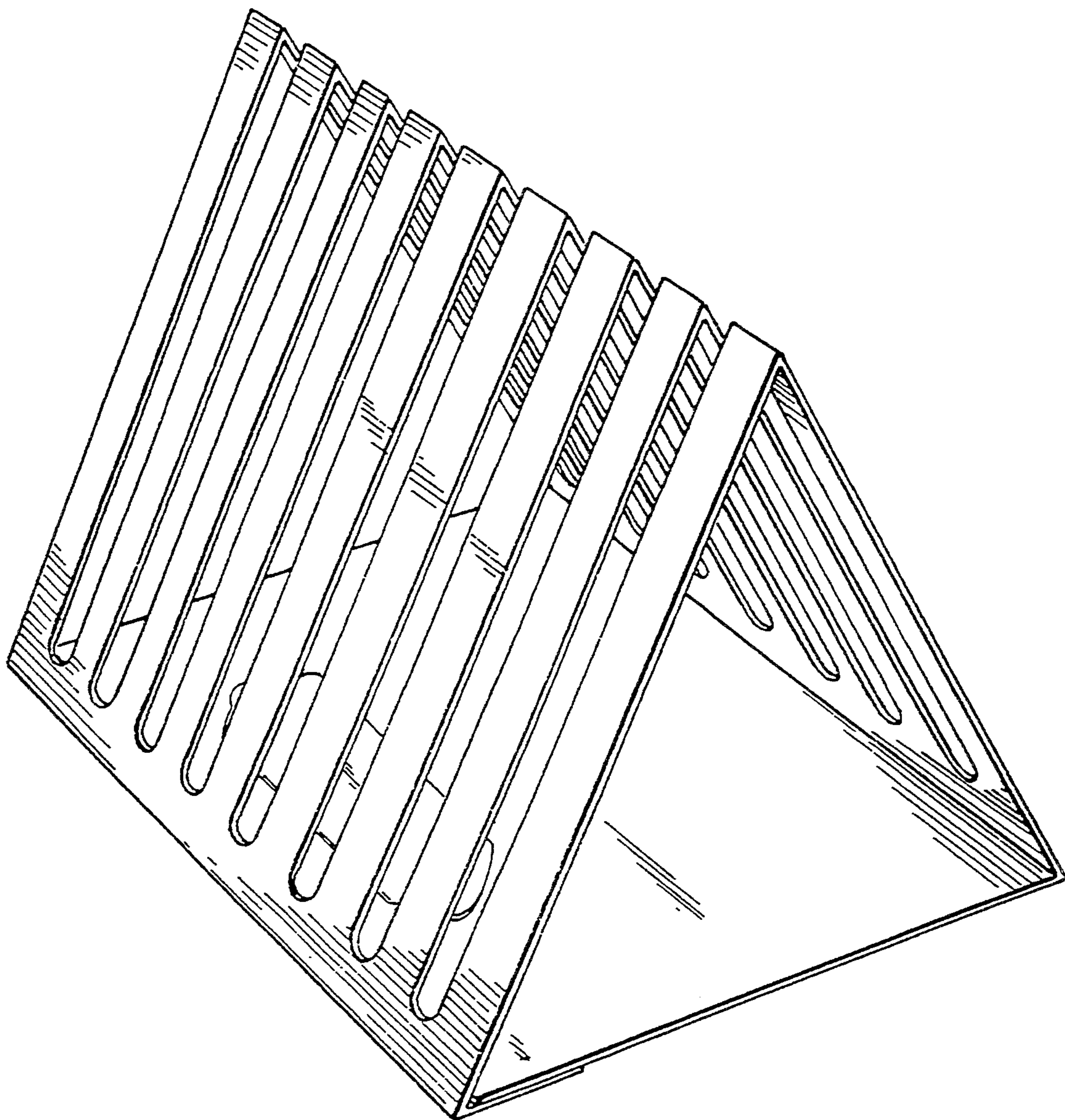


FIG. 2.

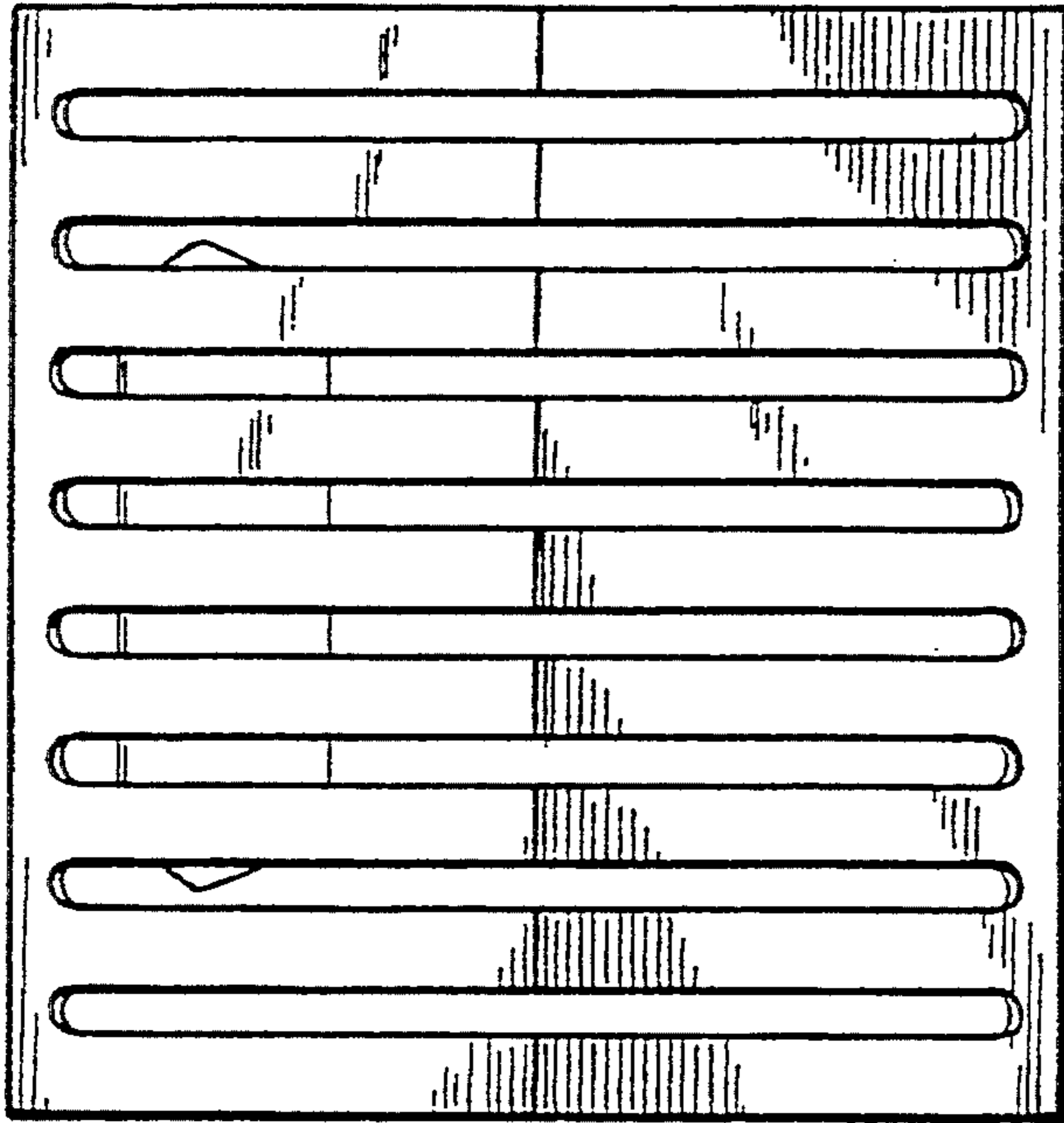


FIG. 3.

FIG. 4.

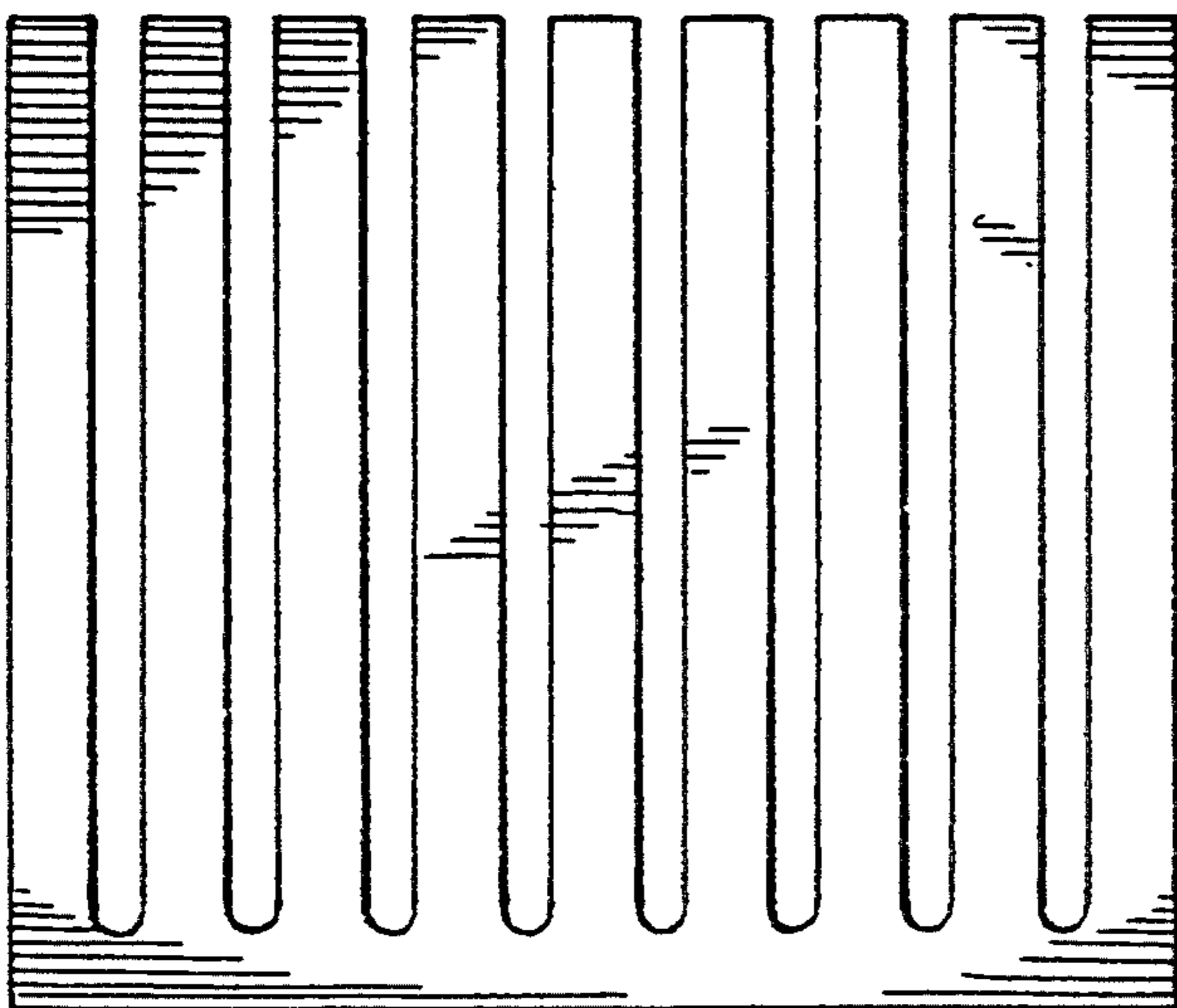
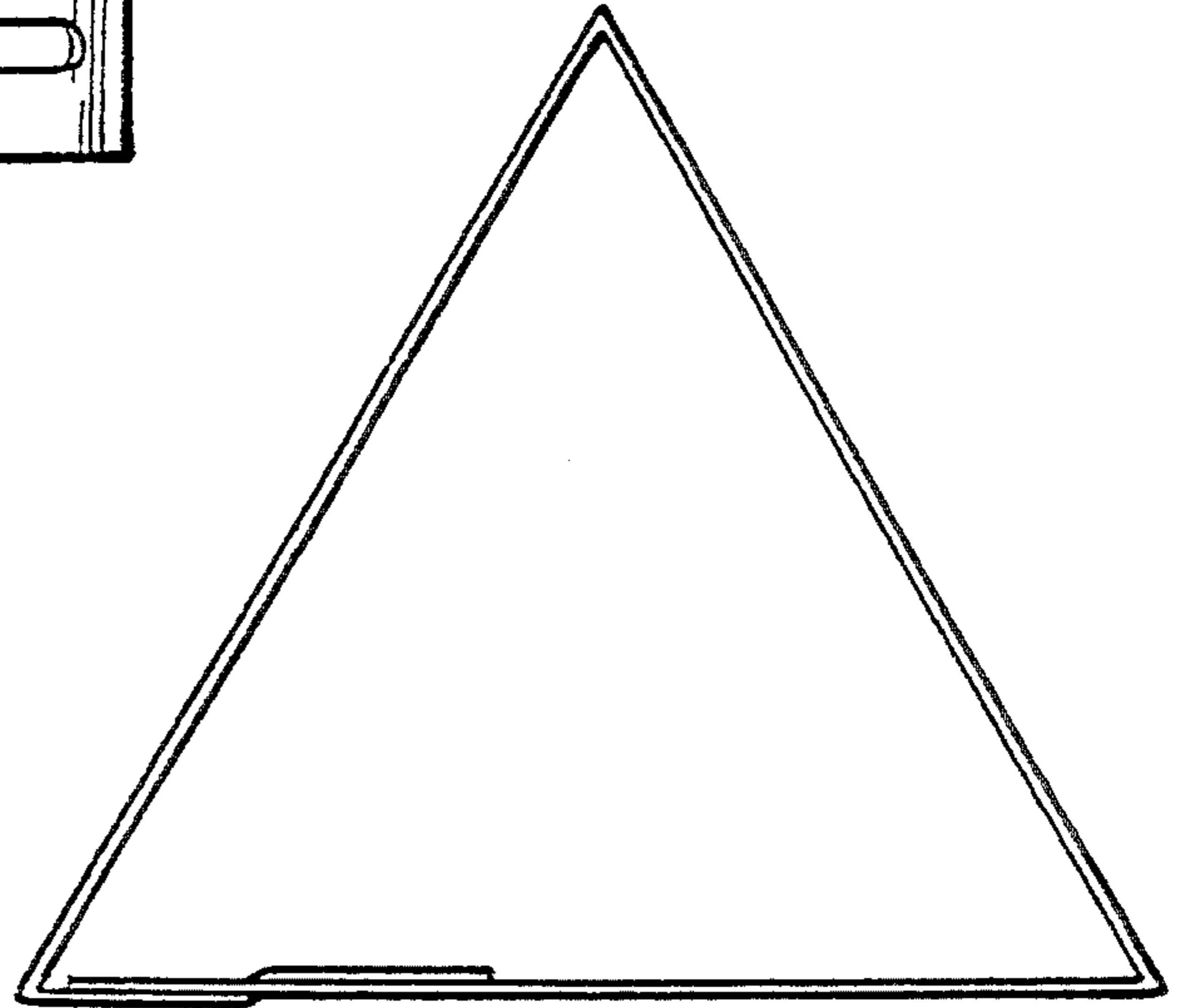


FIG. 5.