



US00D361010S

United States Patent [19]
Hebsgaard

[11] **Patent Number: Des. 361,010**
[45] **Date of Patent: ** Aug. 8, 1995**

[54] **HEAD RAIL FOR BLINDS**

[56] **References Cited**

[76] **Inventor: Jens Ove Hebsgaard, Hestehøjvej**
130, Odense S, Denmark, 5260

U.S. PATENT DOCUMENTS

2,696,879 12/1954 Walker 160/168.1 R
4,828,002 5/1989 Ashby 160/38
5,109,909 5/1992 Hong 160/168.1 R

[**] **Term: 14 Years**

OTHER PUBLICATIONS

Staff, Jan. 1977, p. 47, "Form", center of page.

[21] **Appl. No.: 3,521**

Primary Examiner—Wallace R. Burke
Assistant Examiner—Monica A. Hannon
Attorney, Agent, or Firm—Jacobson, Price, Holman & Stern

[22] **Filed: Jan. 13, 1993**

[57] **CLAIM**

The ornamental design for a head rail for blinds, as shown and described.

[30] **Foreign Application Priority Data**

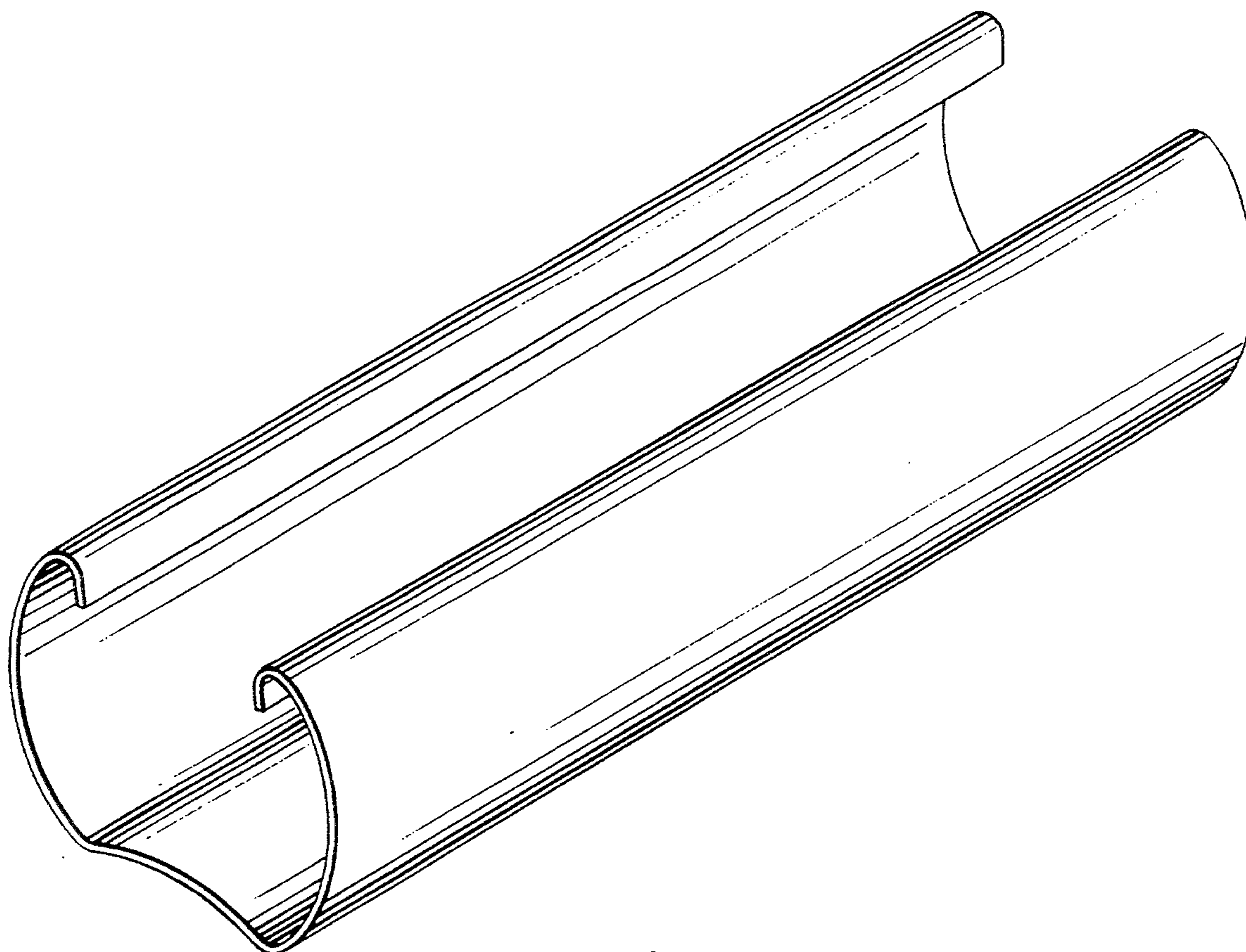
Jul. 14, 1992 [DK] Denmark 675/92

[52] **U.S. Cl. D6/580; D6/575**

[58] **Field of Search D6/577, 580; D25/119,**
D25/121; 160/38, 168 R, 173 R

DESCRIPTION

FIG. 1 is a top perspective view showing my new design for a head rail for blinds; and, FIG. 2 is a bottom perspective view thereof.



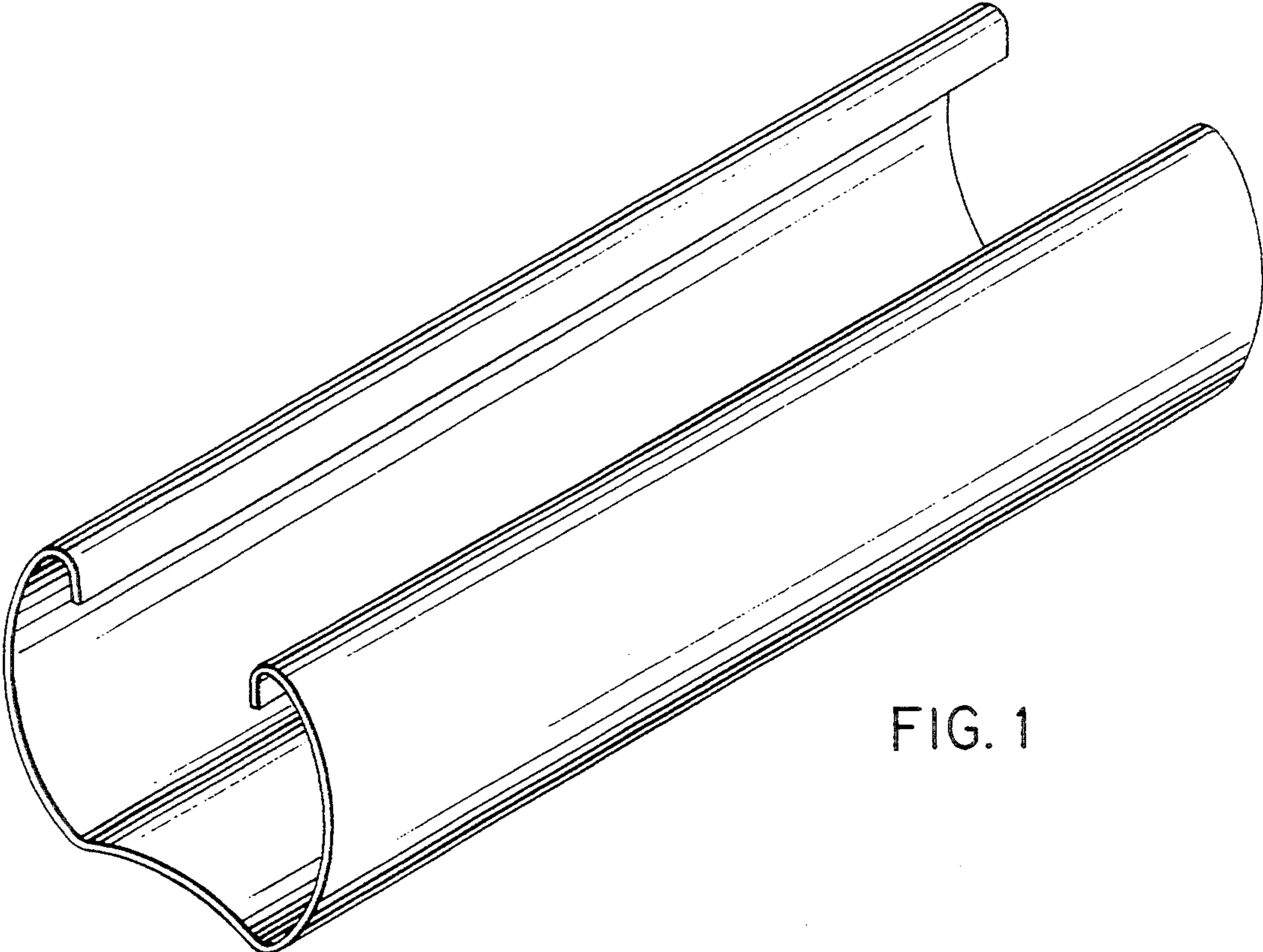


FIG. 1

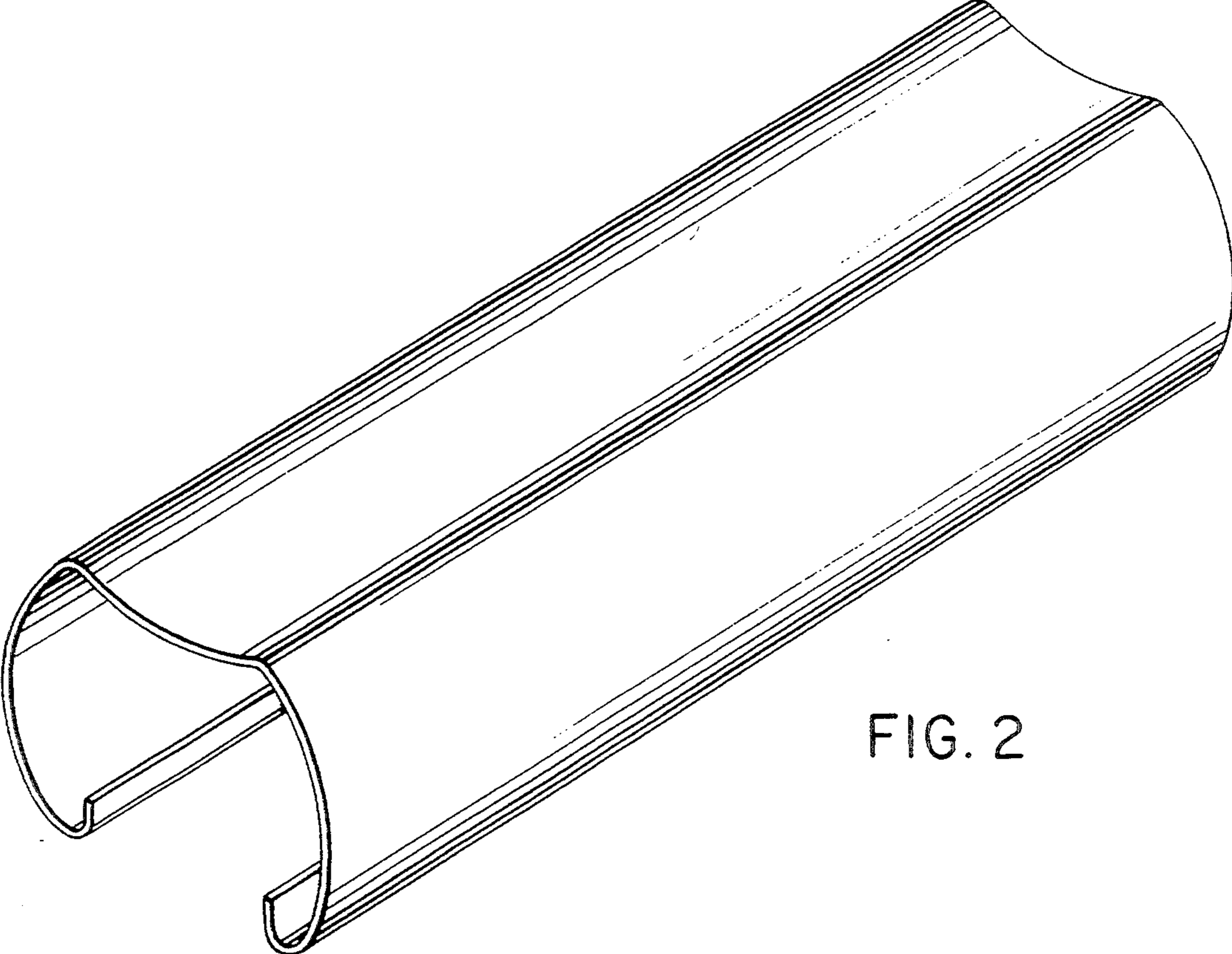


FIG. 2