



US00D361007S

# United States Patent [19]

[11] Patent Number: **Des. 361,007**

**McGlothlin**

[45] Date of Patent: **\*\* Aug. 8, 1995**

[54] **MULTI-PURPOSE DUAL AFFIXING DEVICE AND ORNAMENT HOLDER**

*Primary Examiner*—Brian N. Vinson  
*Attorney, Agent, or Firm*—David L. Baker; Rhodes & Ascolillo

[76] Inventor: **Willie E. McGlothlin**, 6669 Batesville Blvd., Pleasant Plains, Ark. 72568

[57] **CLAIM**

[\*\*] Term: **14 Years**

The ornamental design for a multi-purpose support, as shown and described.

[21] Appl. No.: **14,486**

**DESCRIPTION**

[22] Filed: **Oct. 25, 1993**

[52] U.S. Cl. .... **D6/567**

[58] Field of Search ..... **D6/552-553, D6/567, 572; 211/13, 60.1, 69.5, 86, 87; 248/511, 534, 535, 540, 49, 314; D11/182**

FIG. 1 is a top, front, and left side perspective view of a multi-purpose support showing my new design, the broken-line disclosed of a portion of a flag pole being for illustrative purpose only and forming no part of the claimed design;

[56] **References Cited**

**U.S. PATENT DOCUMENTS**

D. 246,726	12/1977	Fox	.....	D6/572 X
D. 276,212	11/1984	Villanueva	.....	D8/373
D. 316,647	5/1991	Mentzer	.....	D8/363
2,591,349	4/1952	Goebel	.....	211/69.5
3,722,841	3/1973	Ciolfi	.....	248/43
5,269,488	12/1993	Lach	.....	248/535

FIG. 2 is a right side elevational view thereof, showing a portion of the adhesive affixing means revealed;

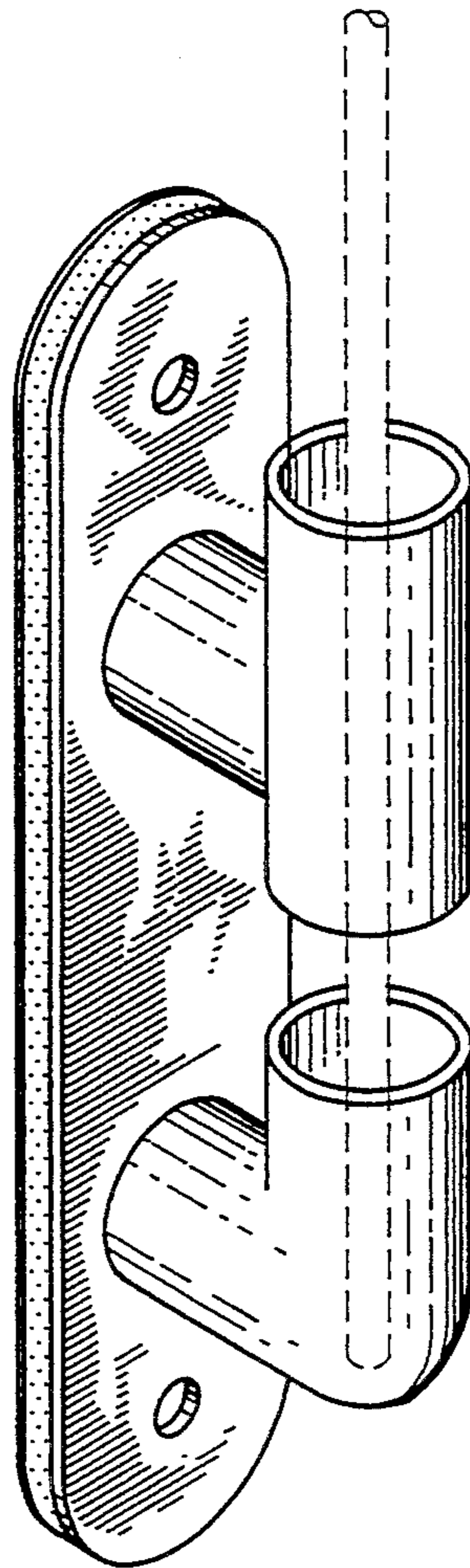
FIG. 3 is a rear elevational view thereof, showing a portion of the adhesive affixing means revealed;

FIG. 4 is a horizontal cross-sectional view thereof, taken along line 4—4 of FIG. 2;

FIG. 5 is a bottom plan view thereof;

FIG. 6 is a left side elevational view thereof; and,

FIG. 7 is a front elevational view thereof.



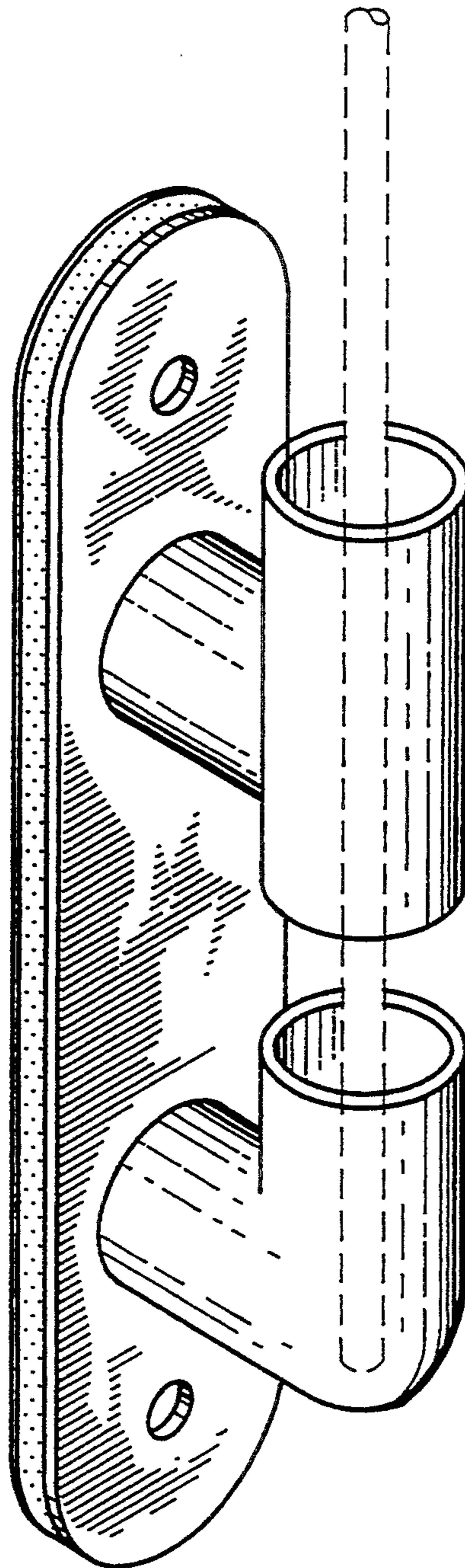


FIGURE 1

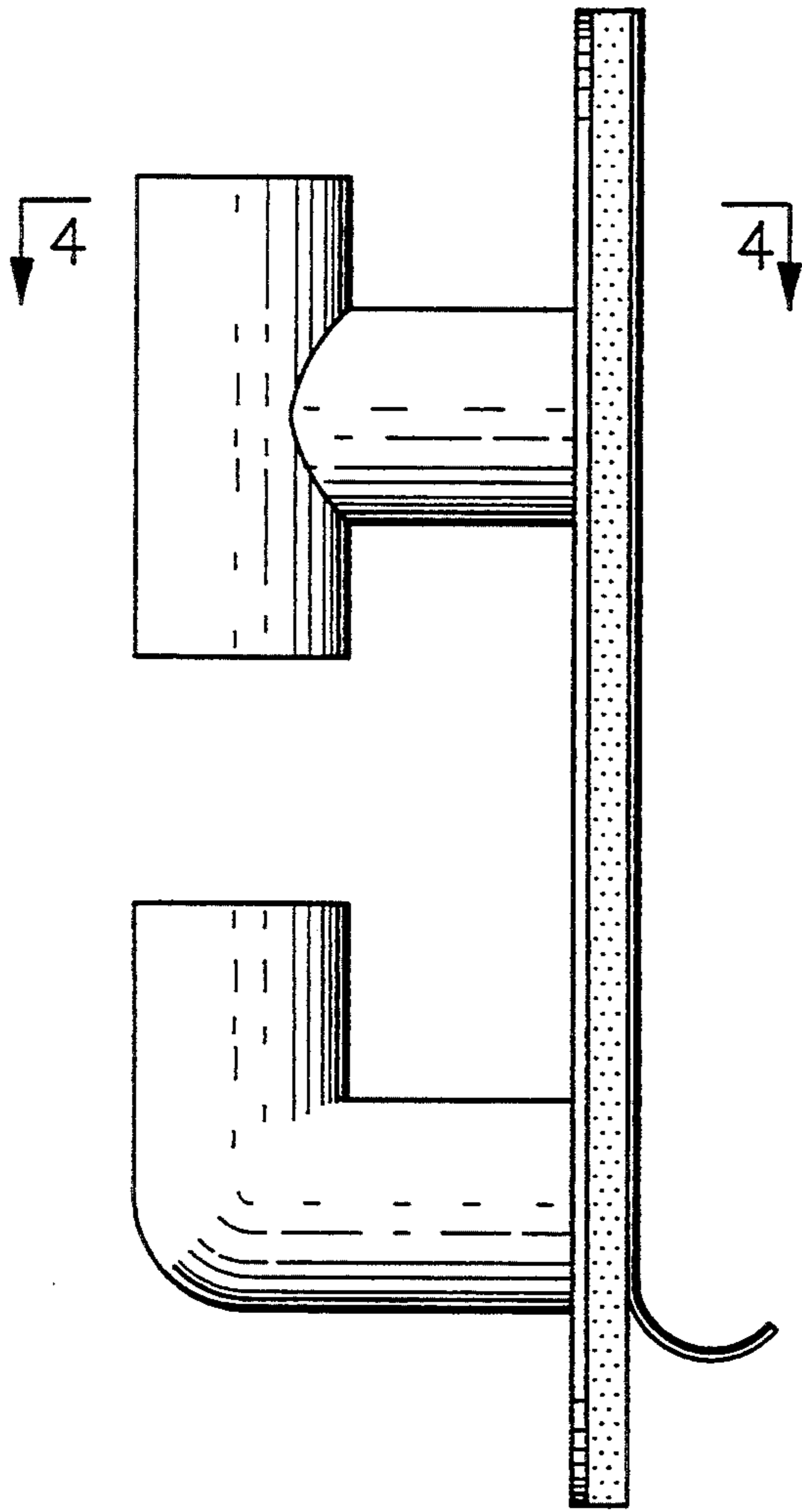


FIGURE 2

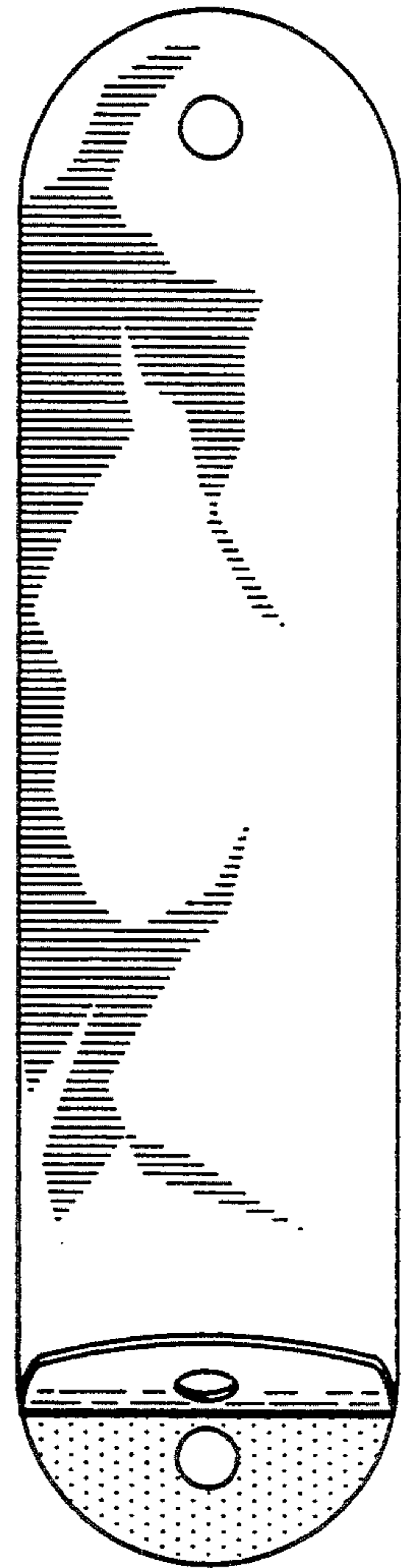


FIGURE 3

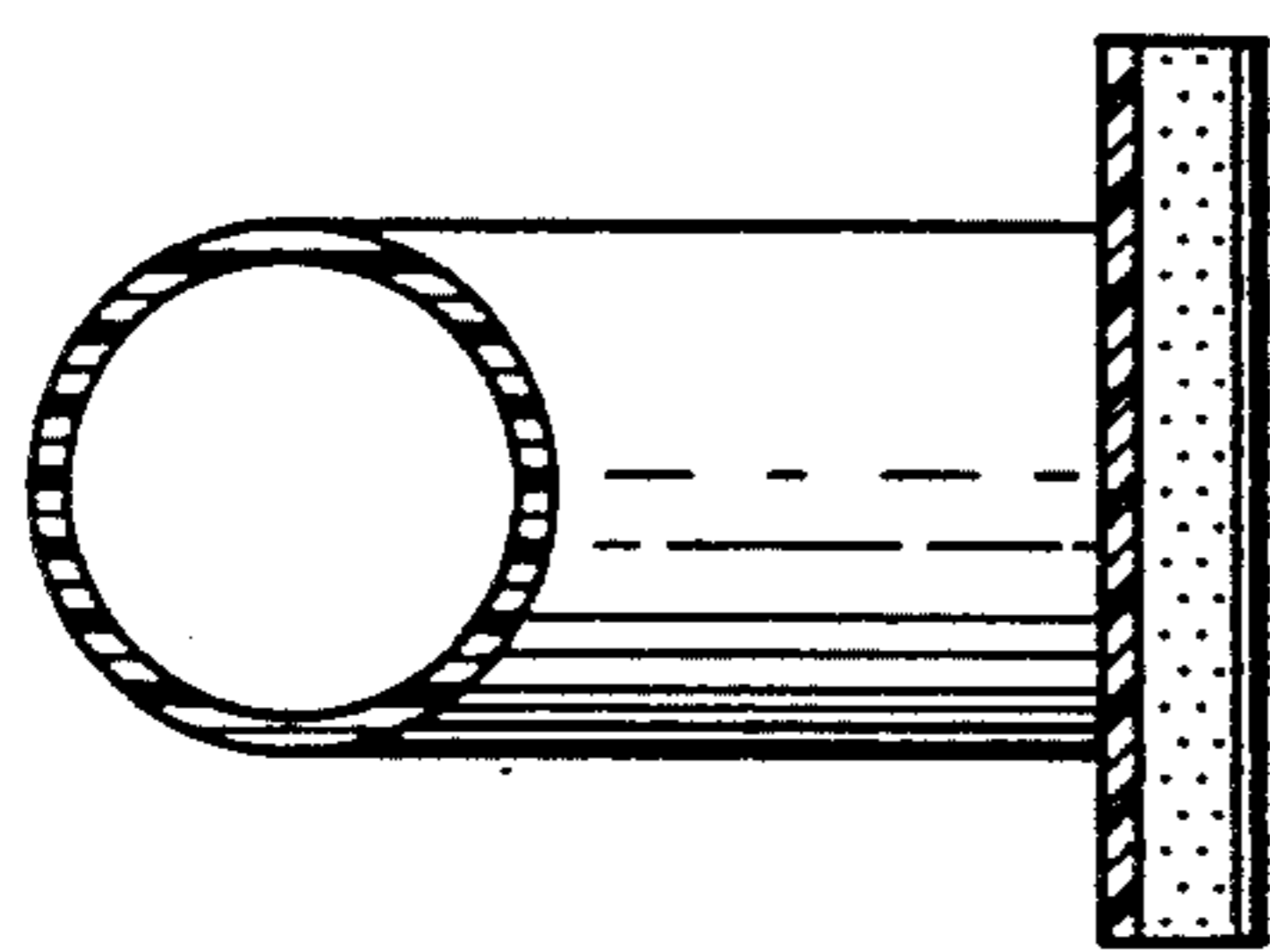


FIGURE 4

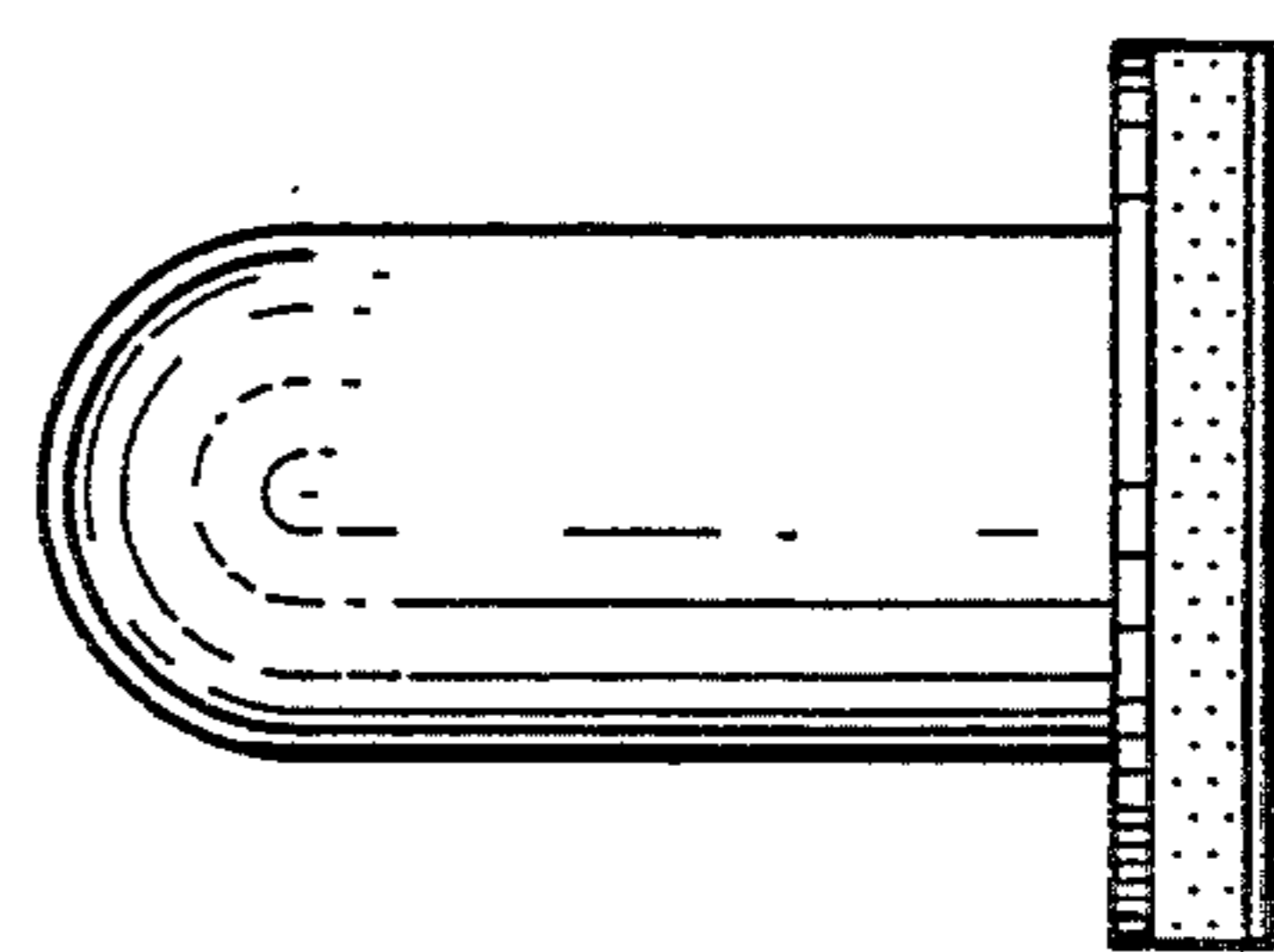


FIGURE 5

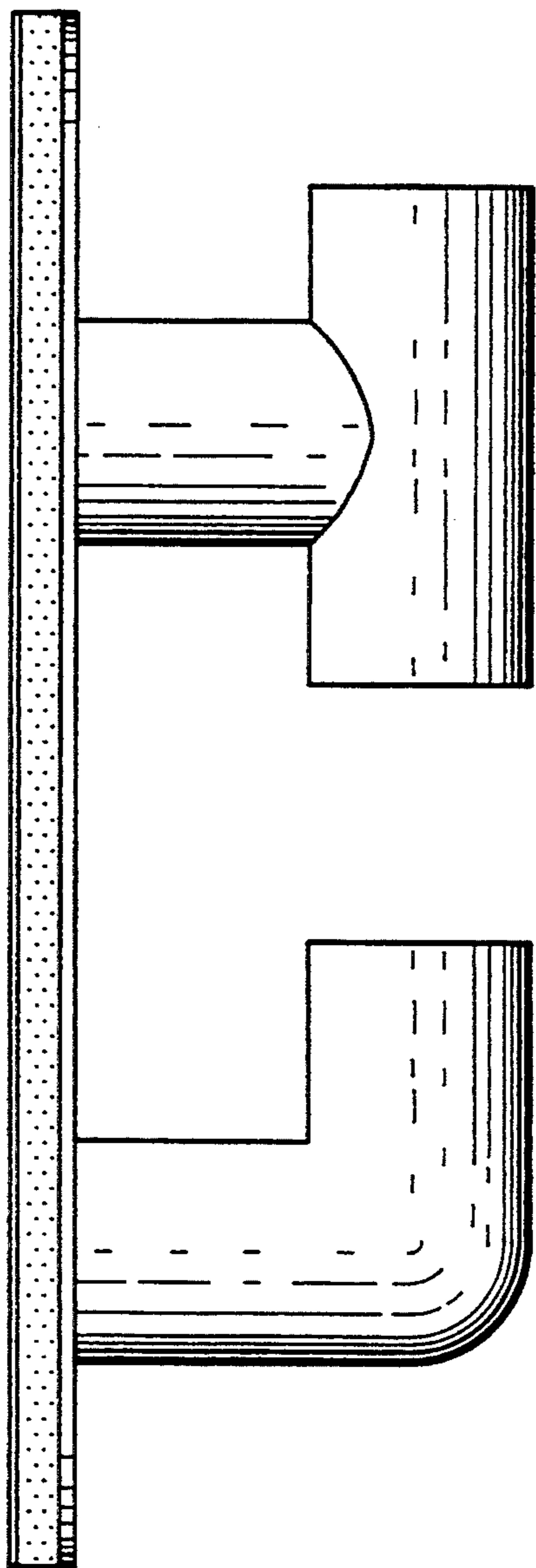


FIGURE 6

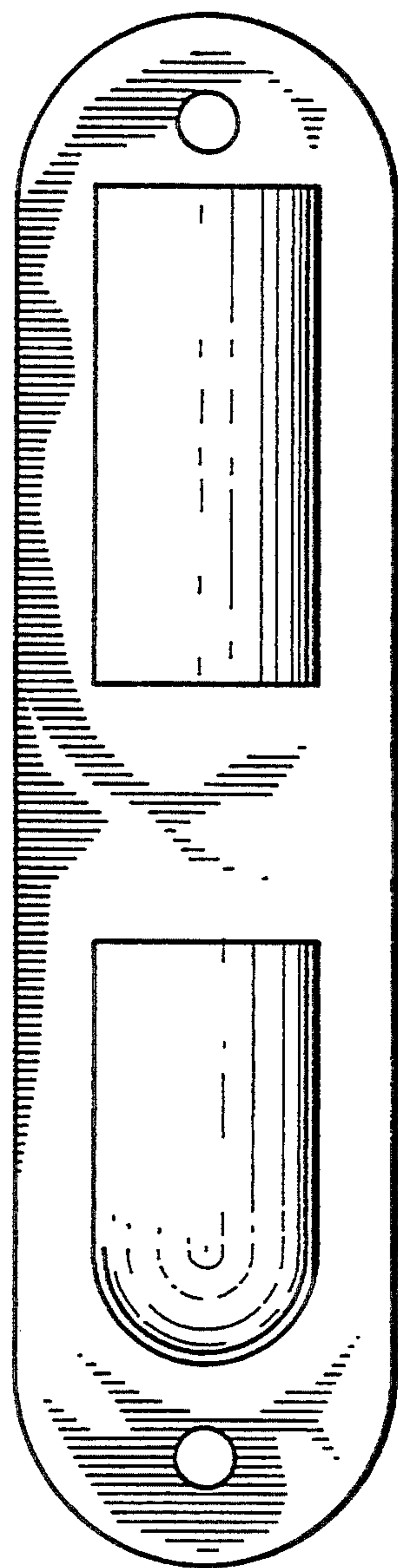


FIGURE 7