



US00D361006S

United States Patent [19]

[11] Patent Number: Des. 361,006

Sharpe

[45] Date of Patent: ** Aug. 8, 1995

[54] BATHROOM ACCESSORY FIXTURE

[75] Inventor: Norton Sharpe, Los Angeles, Calif.

[73] Assignee: Franklin Brass Manufacturing Company, Los Angeles, Calif.

[**] Term: 14 Years

[21] Appl. No.: 12,129

[22] Filed: Aug. 23, 1993

[52] U.S. Cl. D6/524; D6/523; D6/549

[58] Field of Search D6/546-550, D6/518, 522-523; 211/16, 86-87, 123; 242/570, 590, 598

[56] References Cited

U.S. PATENT DOCUMENTS

- D. 286,963 12/1986 Waghorn D6/549
- D. 296,175 6/1988 Fayerman ..
- D. 296,637 7/1988 Fayerman .
- D. 299,096 12/1988 Fayerman .
- D. 299,097 12/1988 Fayerman .
- D. 299,098 12/1988 Fayerman .
- D. 299,099 12/1988 Gresens et al. D6/550
- D. 303,333 9/1989 Fayerman .
- D. 329,559 9/1992 Paul D6/546
- D. 349,208 8/1994 Bollenbacher D6/550

OTHER PUBLICATIONS

Catalogue of Baldwin Hardware Corporation. Publication date believed to be Jan., 1992. Pages entitled "Lexington," Georgetown and Chesapeake.

Catalogue entitled "Baltic" by Farnet. Believed published prior to Jul., 1992.

Catalogue entitled "Chantal" by Farnet. Believed published prior to Jul., 1992.

Catalogue entitled "Harrington Traditional," believed published prior to Jul., 1992.

Catalogue entitled "Displays" by Ginger. Believed published prior to Jul., 1992.

Baldwin Bath "Epic Accessories" Catalogue, Georgetown Style fixtures, p. 3.

Primary Examiner—Brian N. Vinson

Attorney, Agent, or Firm—Spensley Horn Jubas & Lubitz

[57] CLAIM

The ornamental design for a bathroom accessory fixture, as shown and described.

DESCRIPTION

FIG. 1 is a top, front, and right side perspective view of a bathroom accessory fixture showing my new design as embodied in a towel bar;

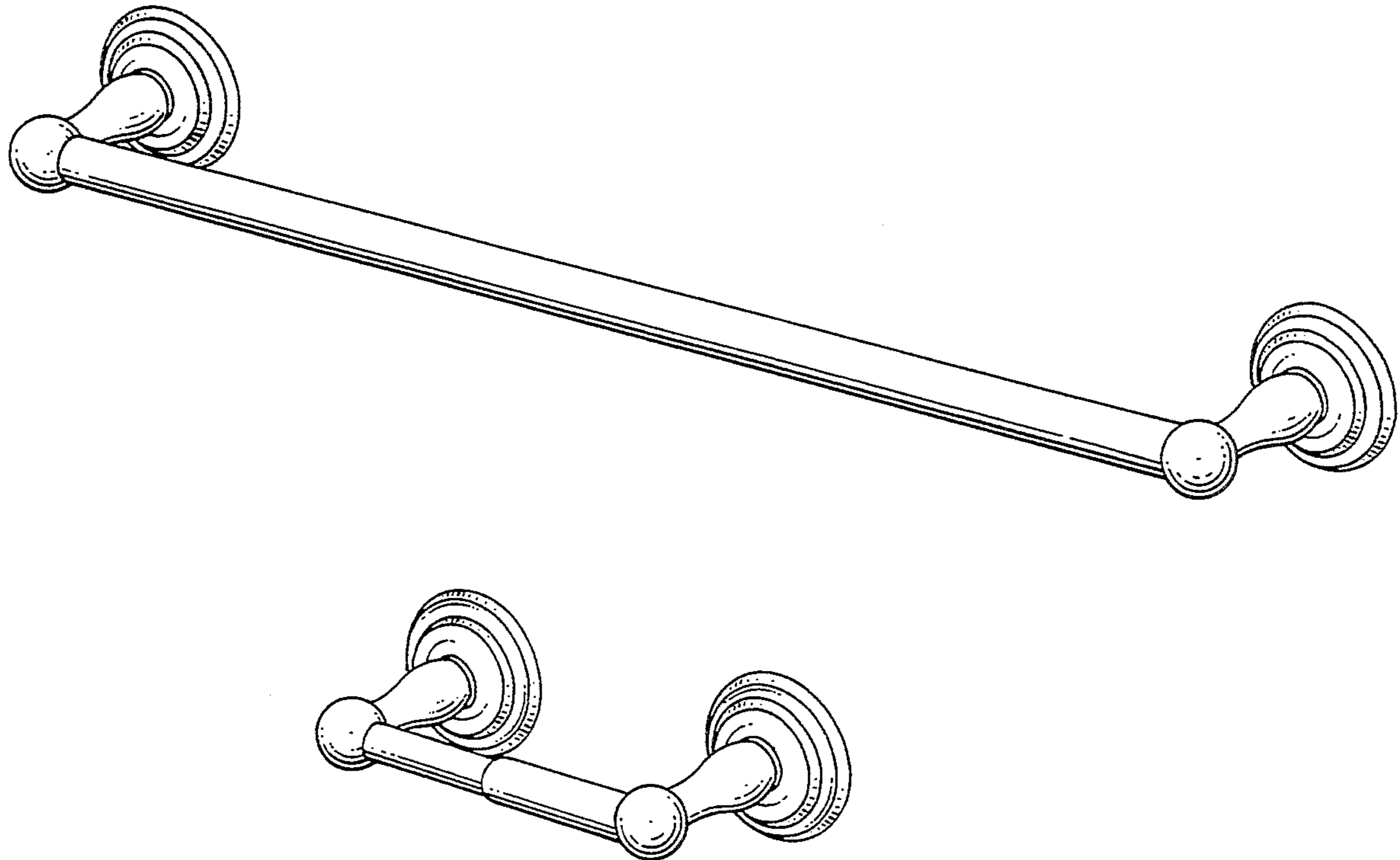
FIG. 2 is a top plan view thereof;

FIG. 3 is a left side elevational view thereof, the right side being a mirror image of that shown;

FIG. 4 is a front elevational view thereof;

FIG. 5 is a rear elevational view thereof; and,

FIG. 6 is a top, front, and right side perspective view of a bathroom accessory fixture showing my new design as embodied in a toilet paper roll holder; the only difference residing in the horizontal bar element. The towel bar element is shown broken-away in some views to indicate indeterminate length.



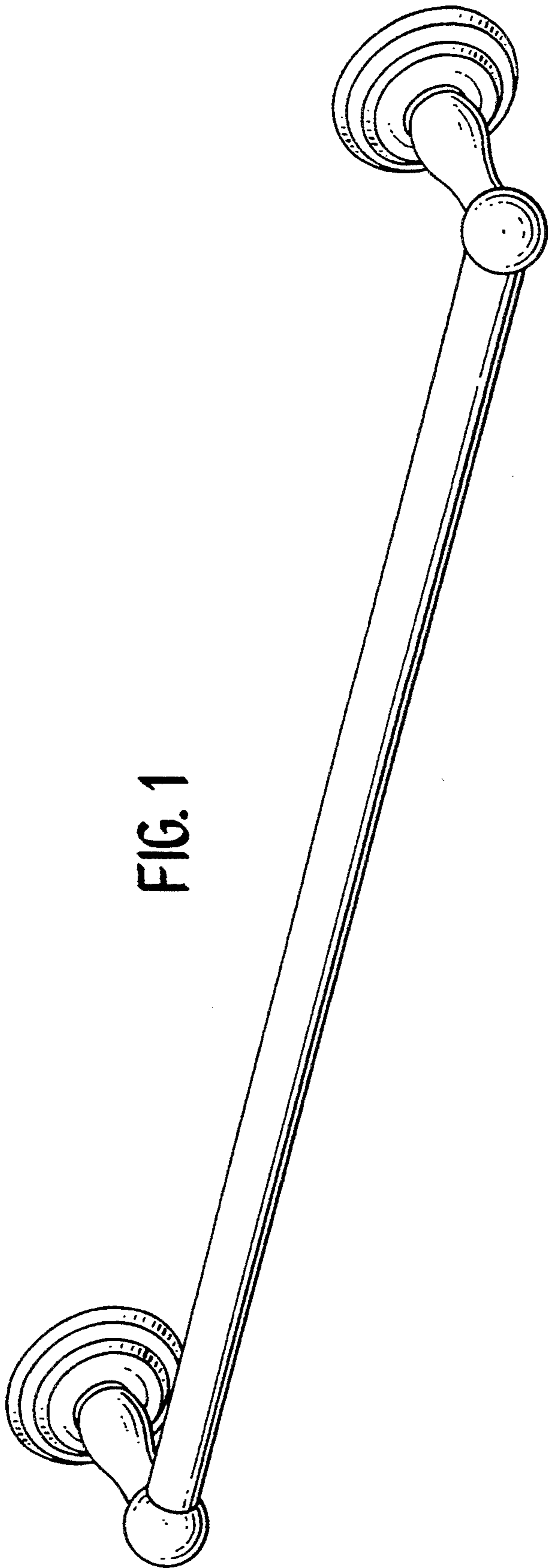


FIG. 1

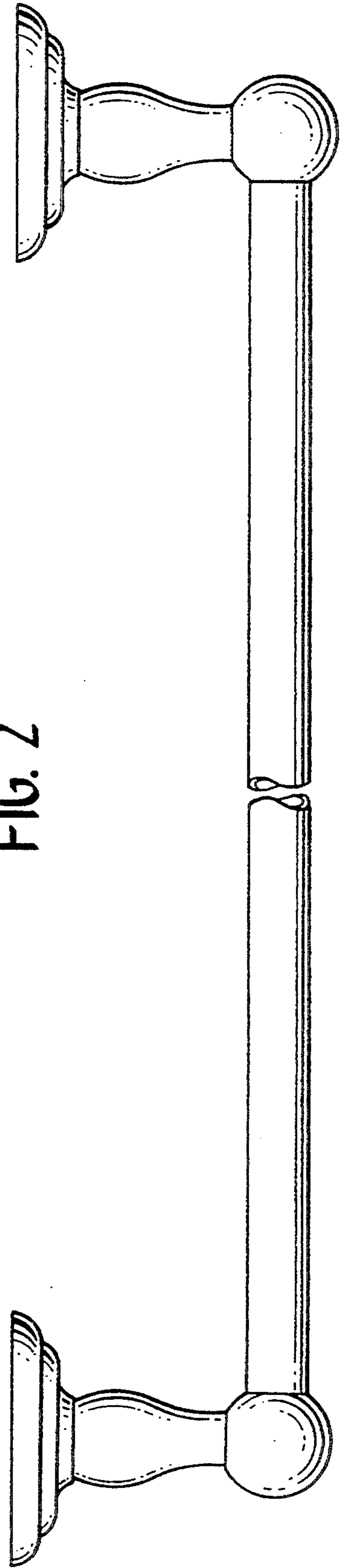


FIG. 2

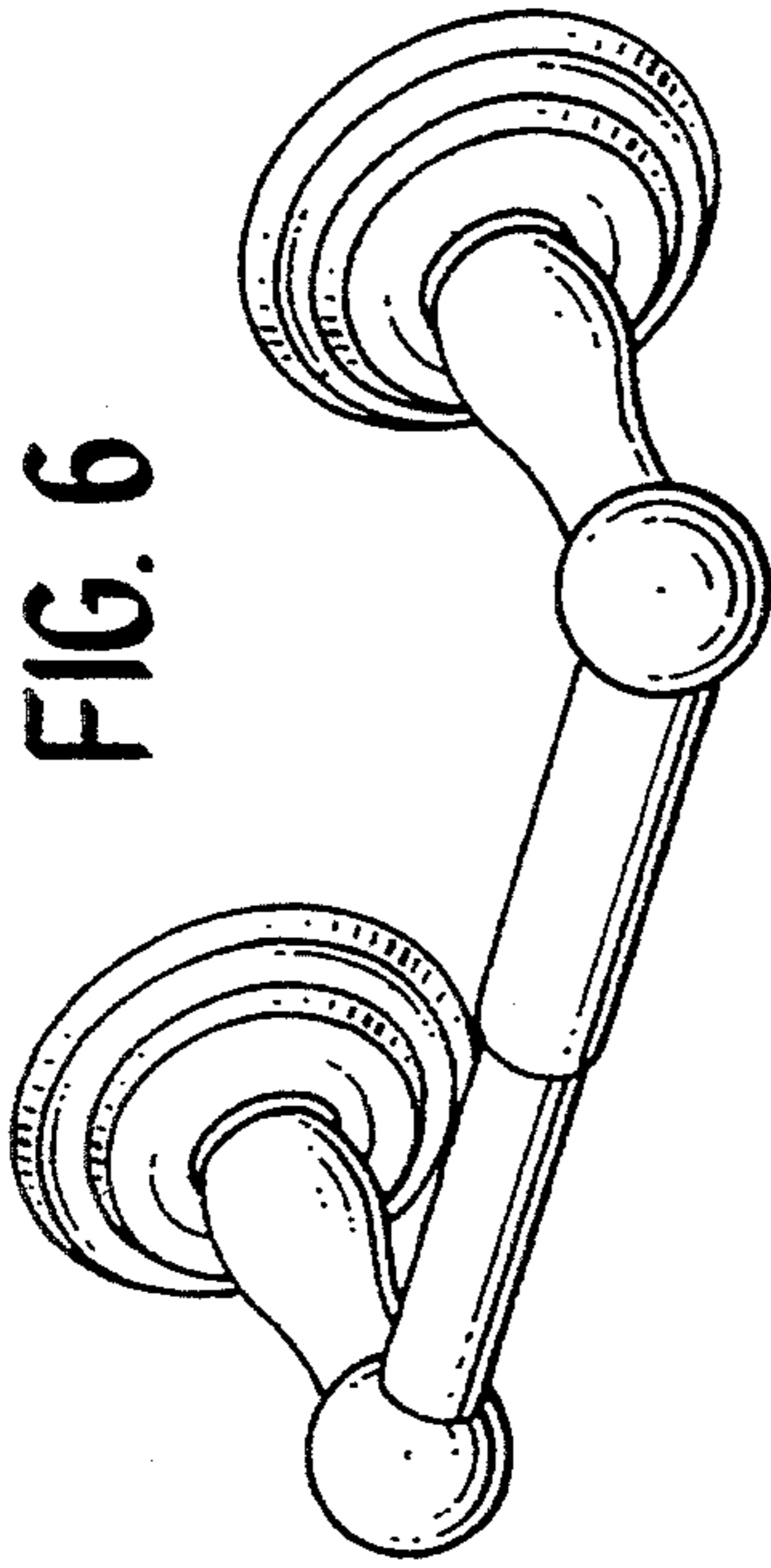


FIG. 6

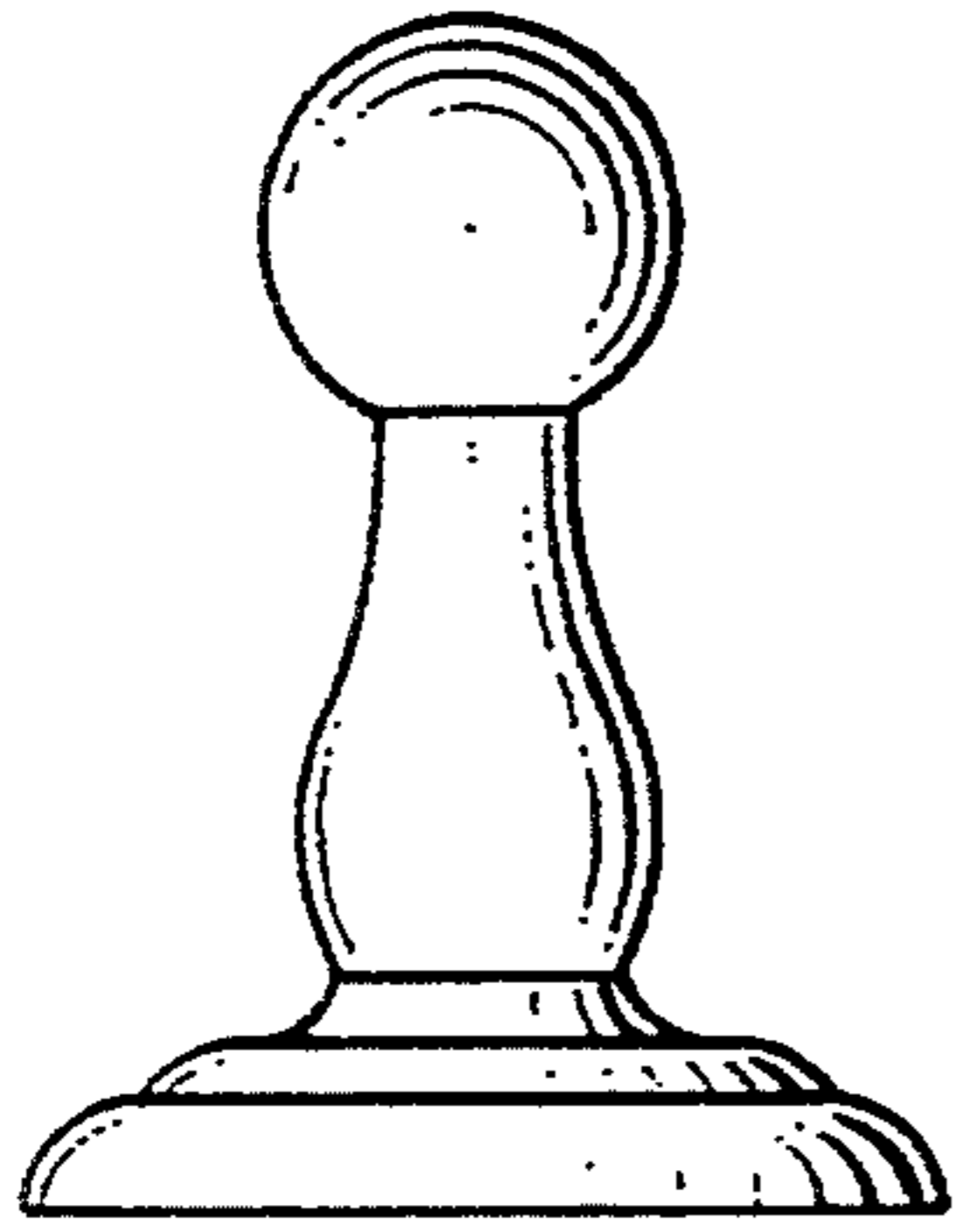


FIG. 3

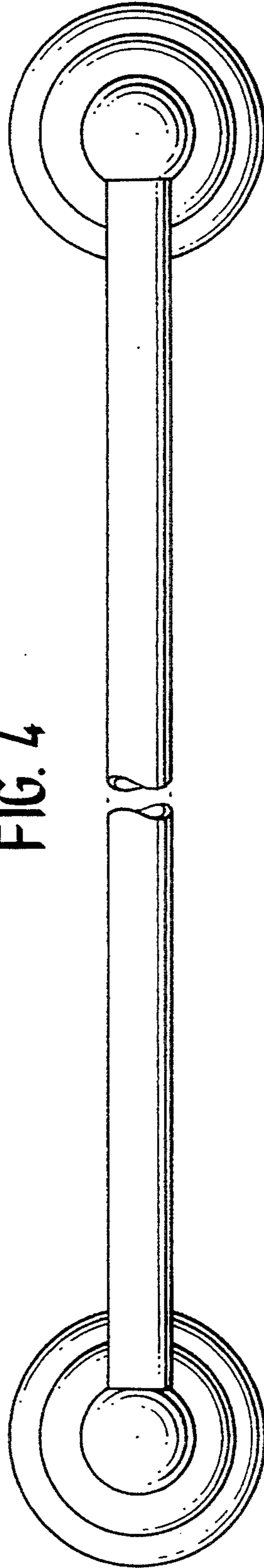


FIG. 4

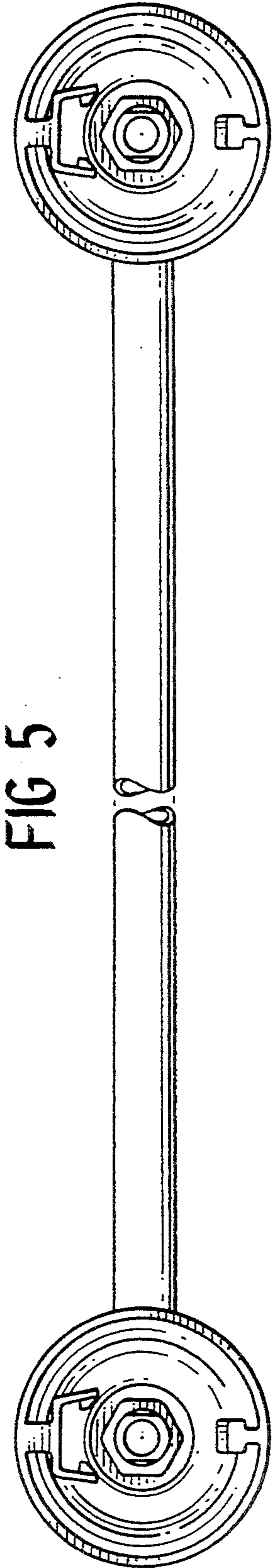


FIG 5