



US00D361004S

United States Patent [19]

[11] Patent Number: **Des. 361,004**

Paus

[45] Date of Patent: **** Aug. 8, 1995**

[54] TABLE

[75] Inventor: **Michael J. Paus**, High Point, N.C.

[73] Assignee: **Universal Furniture Industries, Inc.**, High Point, N.C.

[**] Term: **14 Years**

[21] Appl. No.: **20,399**

[22] Filed: **Mar. 24, 1994**

[52] U.S. Cl. **D6/477**

[58] Field of Search **D6/396, 405, 407, 628, D6/449, 451, 455, 477-479, 480, 484, 485, 490, 461, 511; 108/59, 161**

[56] **References Cited**

U.S. PATENT DOCUMENTS

- D. 279,632 7/1985 Marks D6/477
- D. 344,421 2/1994 Keller D6/511 X

OTHER PUBLICATIONS

- Buckstaff Catalog, 1949, p. 19.
- Thomasville Catalog, 1985, "prestige" sofa table No. 1953-721.
- Interiors Magazine, Apr. 1974, p. 117, photo No. 8.

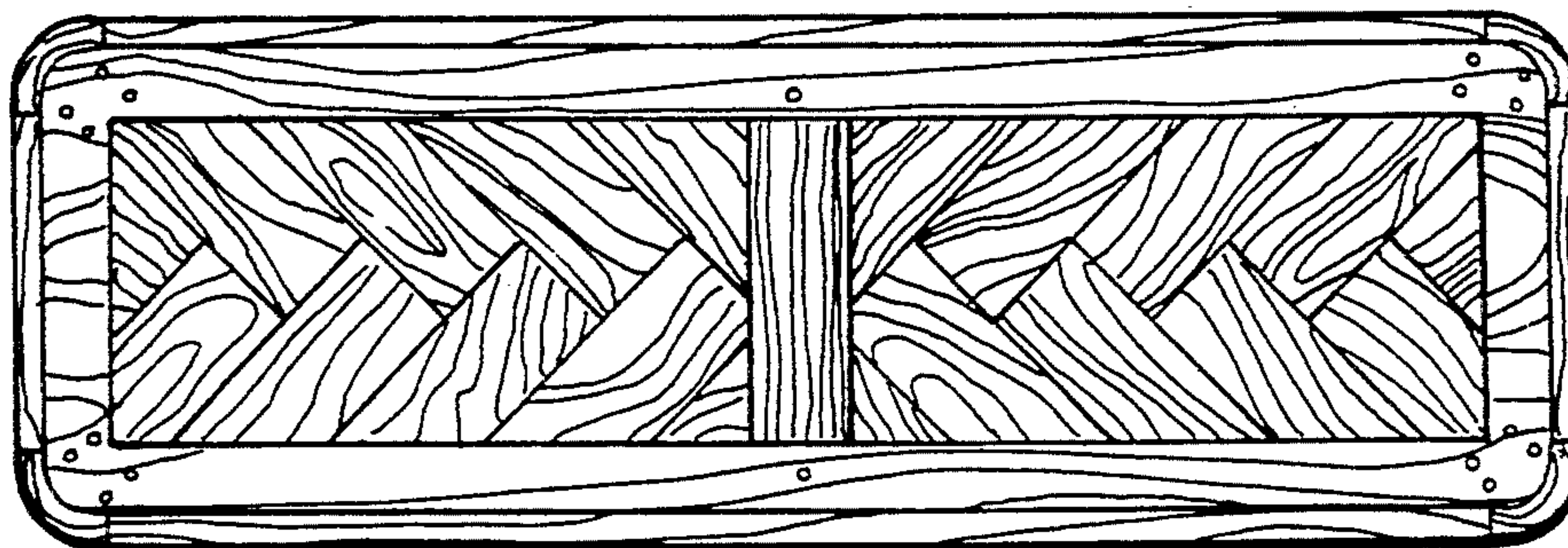
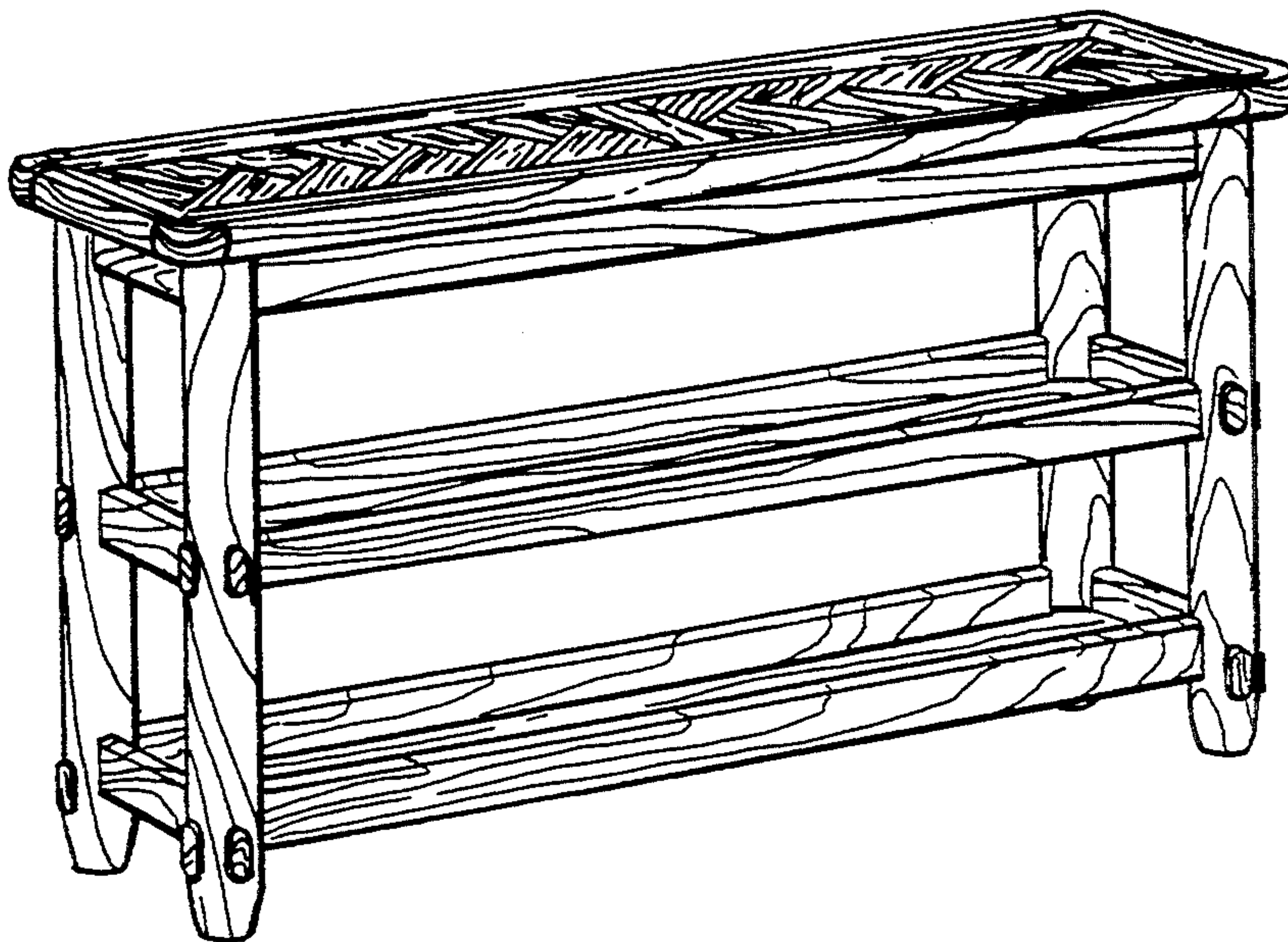
Primary Examiner—Alan P. Douglas
Assistant Examiner—Cathron B. Matta
Attorney, Agent, or Firm—Edgar A. Zarins; Malcolm L. Sutherland

[57] **CLAIM**

The ornamental design for a table, as shown and described.

DESCRIPTION

FIG. 1 is a perspective view of a table, showing my new design;
 FIG. 2 is a top plan view thereof;
 FIG. 3 is a front elevational view thereof; and,
 FIG. 4 is an end view thereof, the opposite end being a mirror image of the end shown.



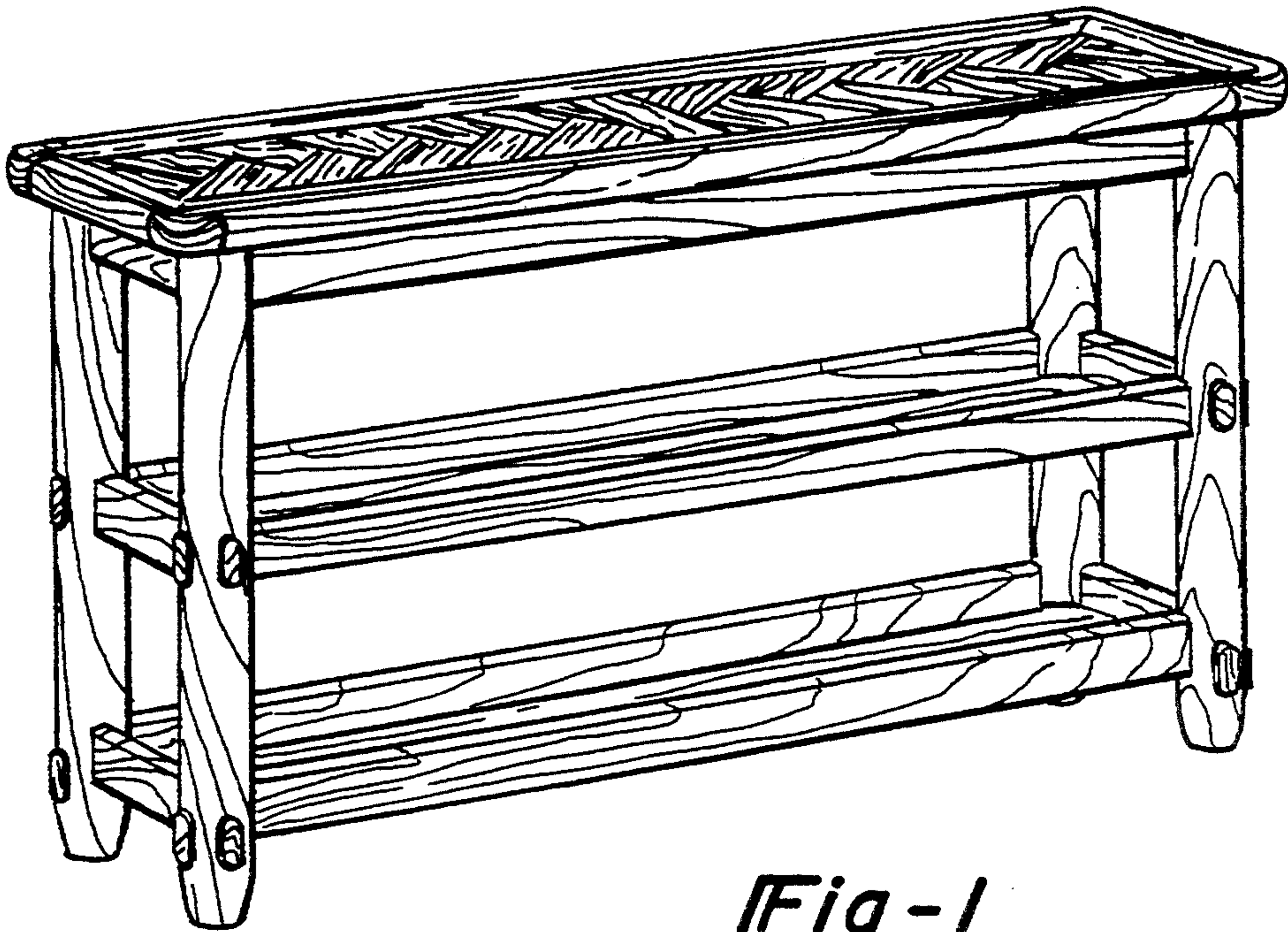


Fig-1

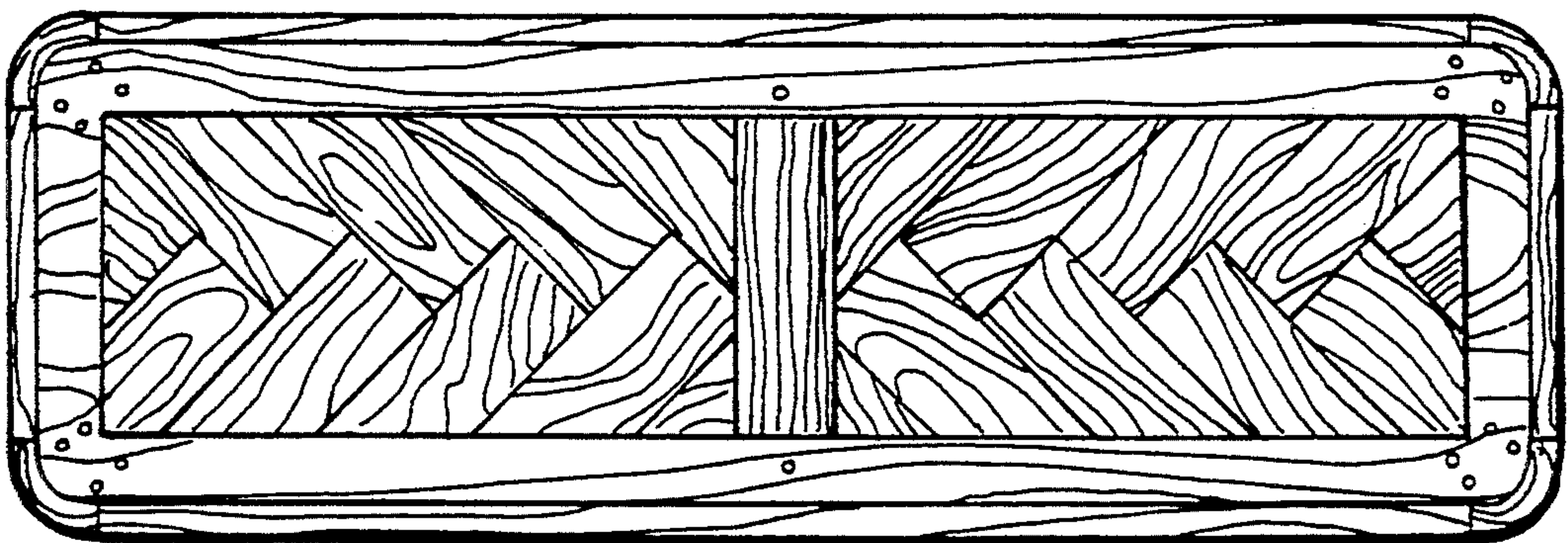


Fig-2

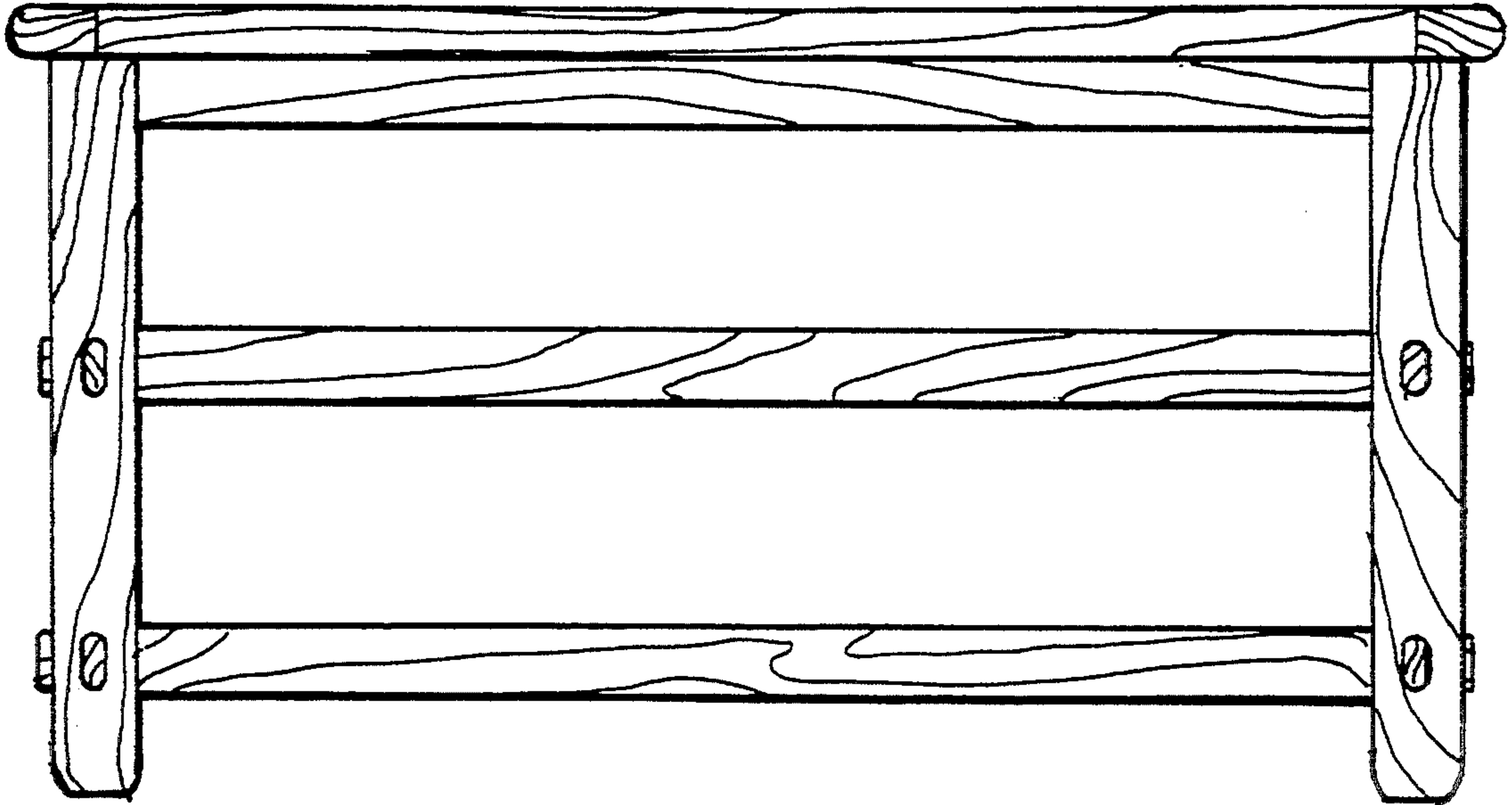


Fig - 3

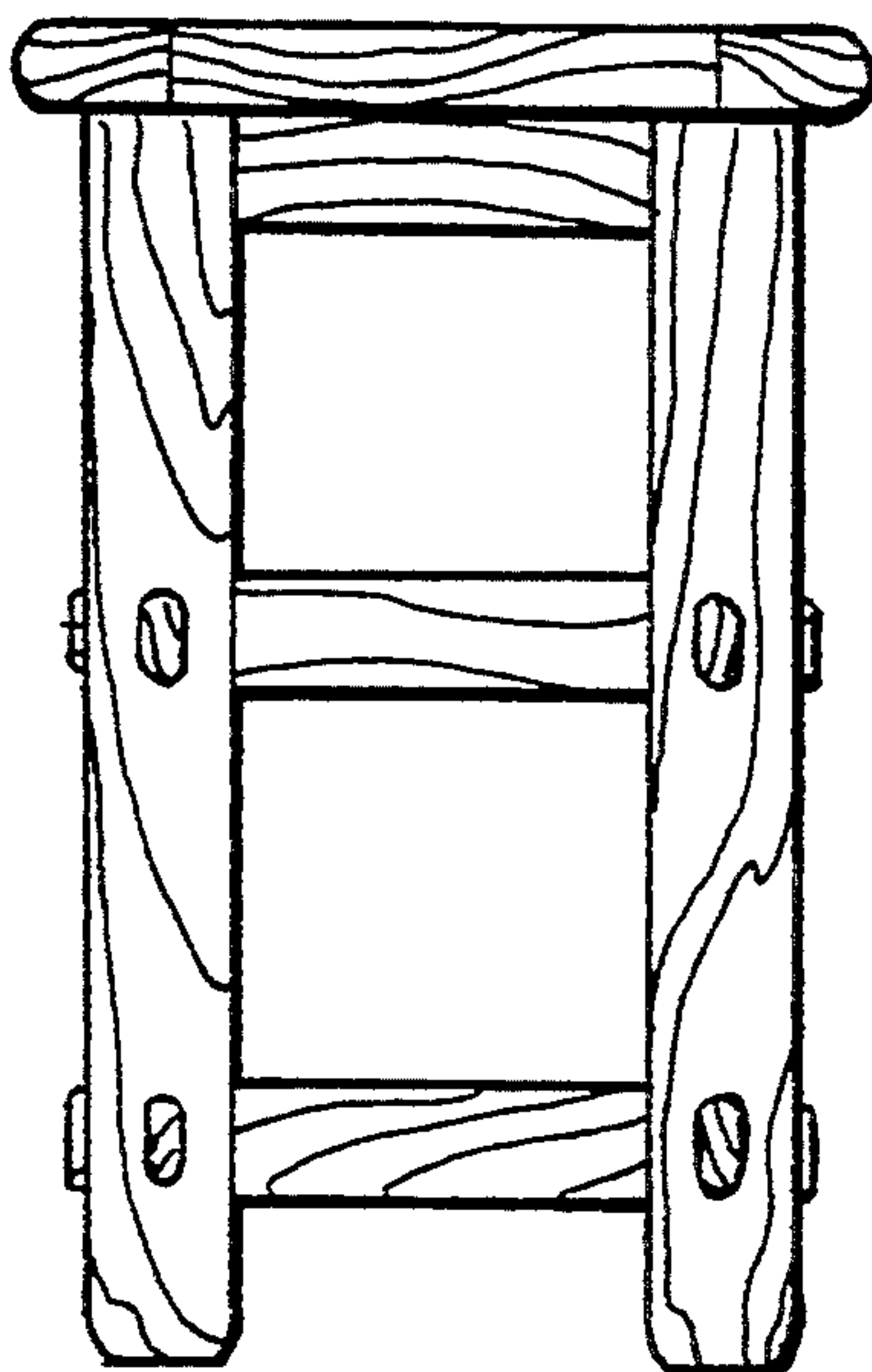


Fig - 4