



US00D360985S

United States Patent [19] Geigle

[11] Patent Number: **Des. 360,985**

[45] Date of Patent: **** Aug. 8, 1995**

[54] **WASHABLE PAINTBRUSH**

4,676,685 6/1987 Murphy 401/285

[76] Inventor: **John Geigle**, 3200 NE. 44th St.,
Vancouver, Wash. 98663

Primary Examiner—Susan J. Lucas
Assistant Examiner—Lavone D. Tabor
Attorney, Agent, or Firm—Terry M. Gernstein

[**] Term: **14 Years**

[57] **CLAIM**

[21] Appl. No.: **16,230**

The ornamental design for a washable paintbrush, as shown and described.

[22] Filed: **Dec. 10, 1993**

[52] U.S. Cl. **D4/132; D4/115**

[58] Field of Search **D4/114-115,**
D4/132, 135, 138; 15/143.1, 159.1, 160, 191.1,
191 A, 192-193, 205.2; 401/268, 285-289, 291

DESCRIPTION

FIG. 1 is a front, top and side perspective view of the washable paintbrush embodying the design of the present invention;

FIG. 2 is a front elevational view thereof, the rear being a mirror image of the front shown in FIG. 2;

FIG. 3 is a side elevational view thereof;

FIG. 4 is a side elevational view thereof;

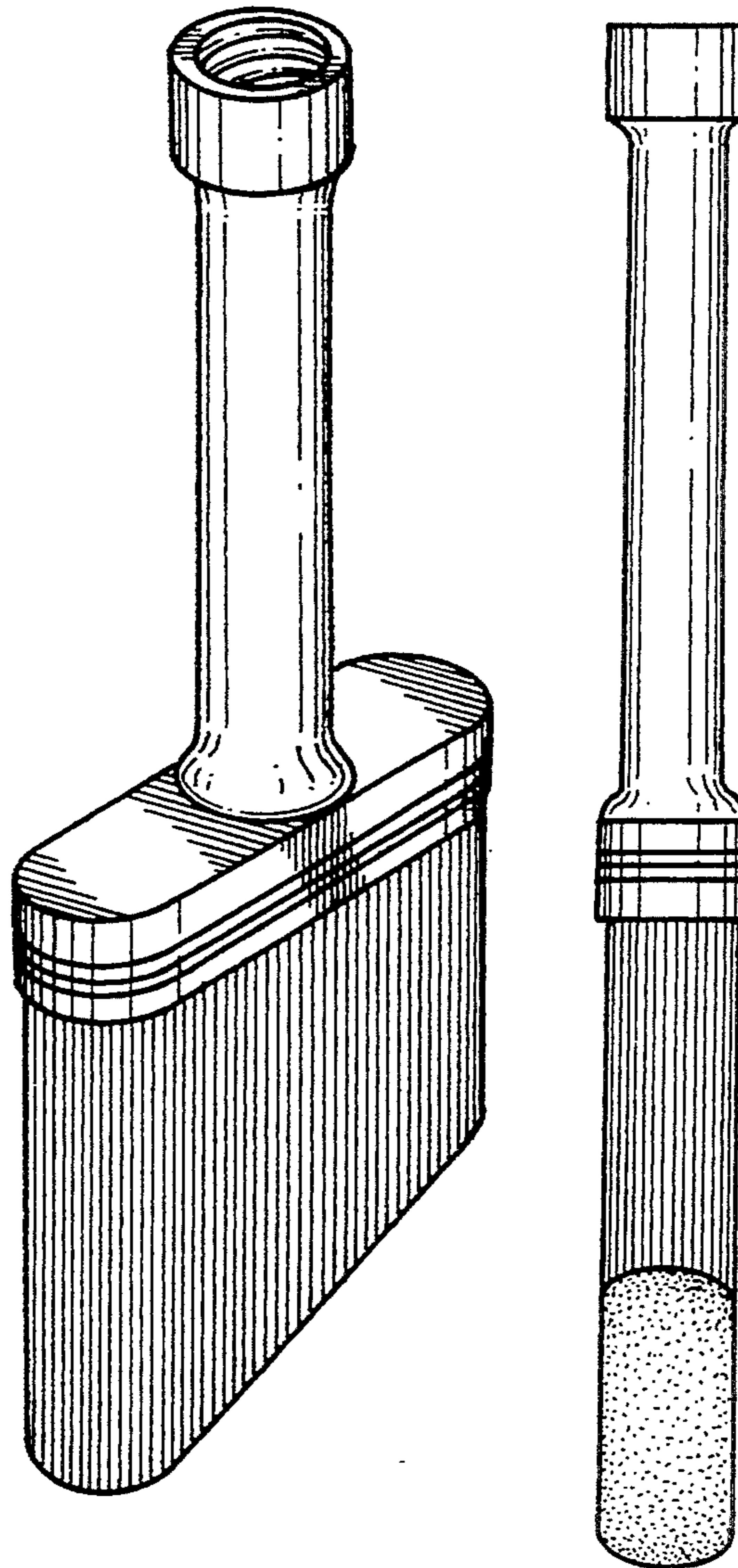
FIG. 5 is a top plan view thereof; and,

FIG. 6 is a bottom plan view thereof.

[56] **References Cited**

U.S. PATENT DOCUMENTS

D. 308,920 7/1990 Murphy D4/114
1,577,192 3/1926 Rapisardi 401/288 X
1,928,929 10/1933 Craig 401/289 X



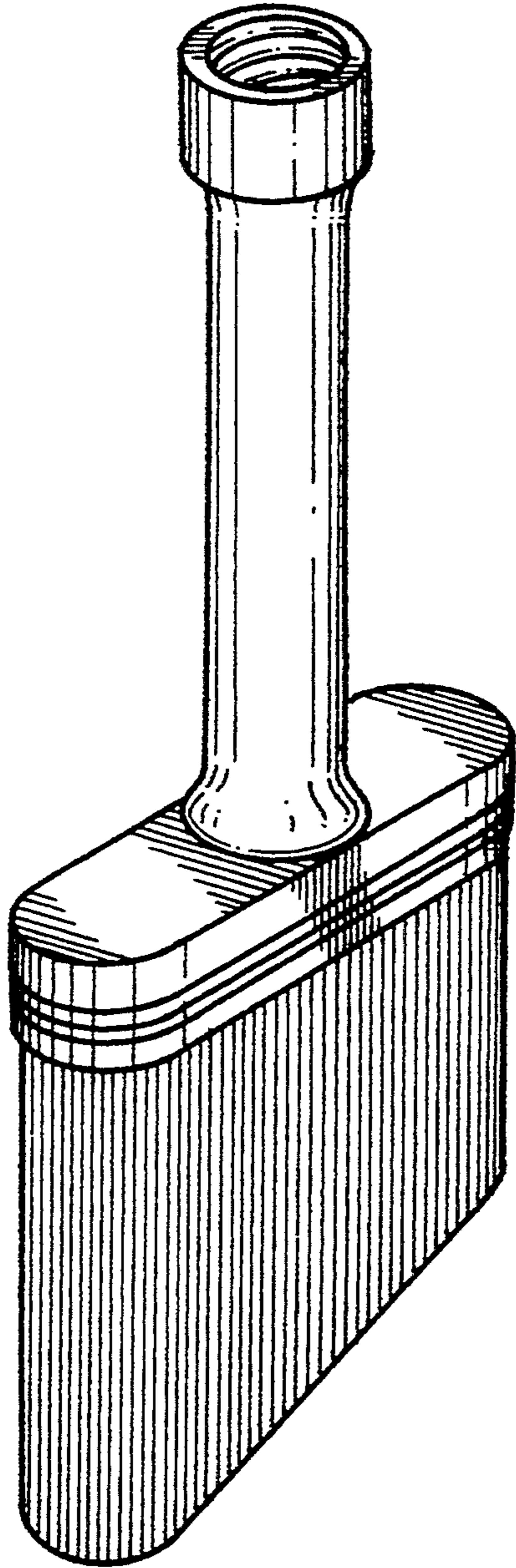


FIG.1.

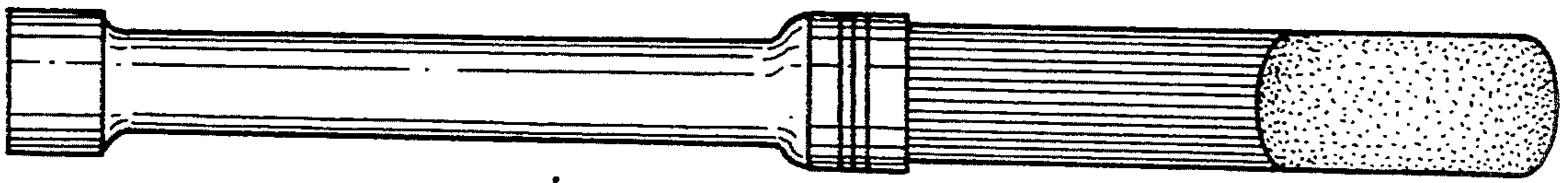


FIG. 4.

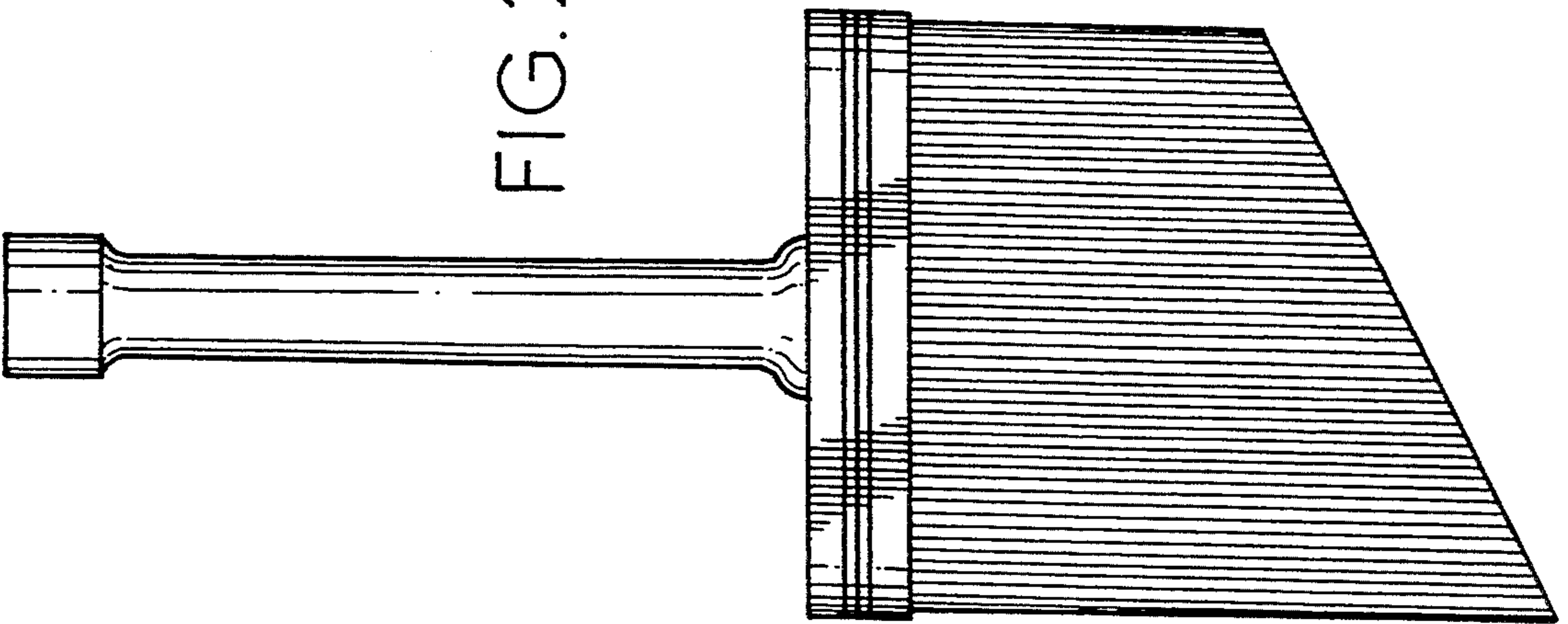


FIG. 2.

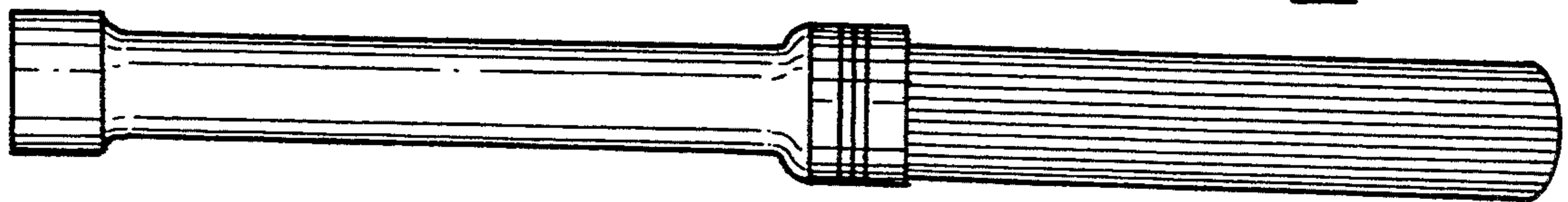


FIG. 3.

FIG. 6.

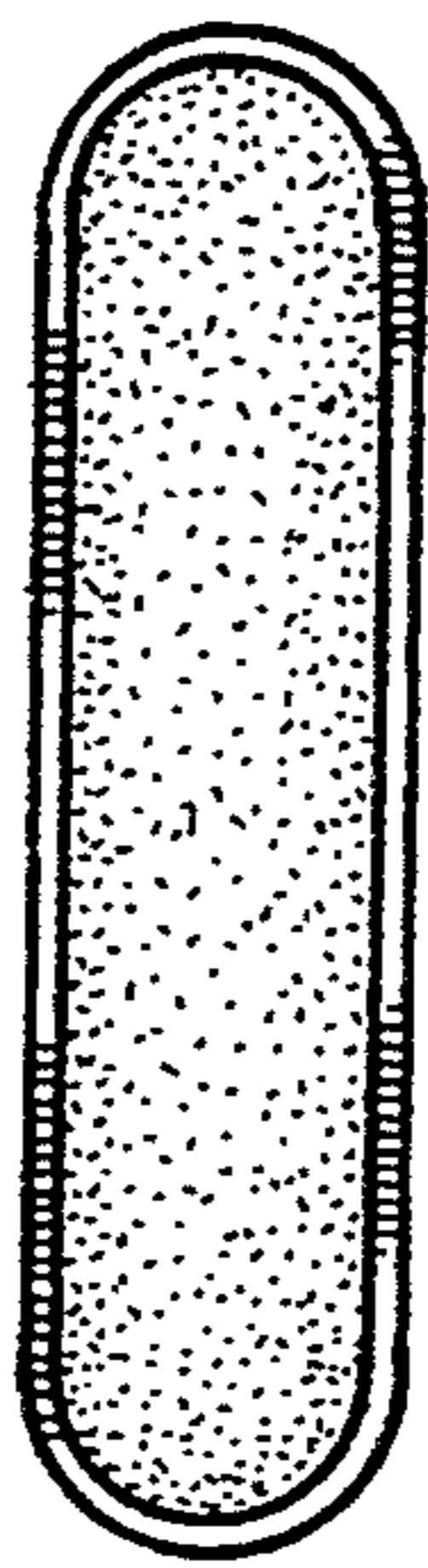


FIG. 5.

