



US00D360975S

# United States Patent [19]

[11] Patent Number: **Des. 360,975**

Smith

[45] Date of Patent: **\*\* Aug. 8, 1995**

[54] PURSE

[76] Inventor: **Abram W. Smith**, 40825 Avenida Calafia, Palm Desert, Calif. 92260

[\*\*] Term: **14 Years**

[21] Appl. No.: **10,290**

[22] Filed: **Jul. 6, 1993**

[52] U.S. Cl. .... **D3/226**

[58] Field of Search ..... **D3/226, 206, 215, 218, D3/219, 224, 230, 232, 242, 243, 252, 287, 222; 224/163, 173, 192, 198, 199, 226, 228, 236, 238, 240, 243, 250, 253, 255, 904, 908, 911, 914, 208, 202**

3,949,916 4/1976 Yount ..... D3/230 X  
 4,815,641 3/1989 Bianchi ..... 224/192 X

*Primary Examiner*—A. Hugo Word  
*Assistant Examiner*—Catherine R. Oliver  
*Attorney, Agent, or Firm*—Robert J. Schaap

### [57] CLAIM

The ornamental design for a purse, as shown.

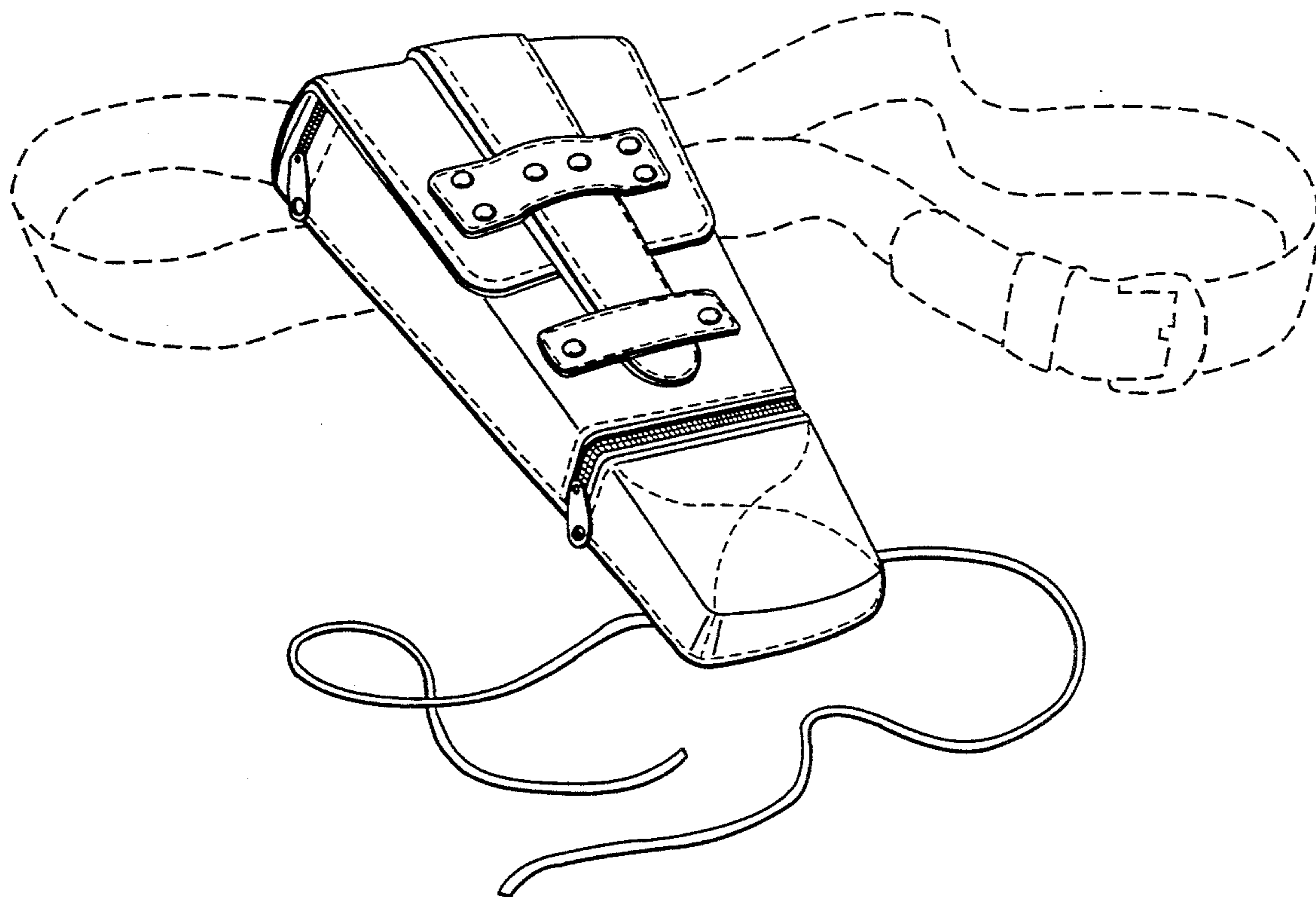
### DESCRIPTION

FIG. 1 is a perspective view of a purse showing my new design;  
 FIG. 2 is a left-side elevational view thereof;  
 FIG. 3 is a front elevational view thereof, the string being broken away in the center for convenience of illustration;  
 FIG. 4 is a right-side elevational view thereof;  
 FIG. 5 is a top plan view thereof;  
 FIG. 6 is a rear elevational view; and,  
 FIG. 7 is a bottom plan view thereof, the string being broken away in the center for convenience of illustration.

The broken line showing a portion of a belt in FIG. 1 is for illustrative purposes only and forms no part of the claimed design.

[56] **References Cited**  
**U.S. PATENT DOCUMENTS**

45,469	12/1864	Blakeslee	.....	224/236 X
D. 134,542	12/1942	Wax	.....	D3/230
D. 137,184	2/1944	Weyenberg	.....	D3/226 X
D. 148,690	2/1948	Gordon et al.	.....	D3/243 X
D. 187,533	3/1960	Castaneda	.....	D3/222
D. 238,629	2/1976	Tibbetts	.....	D3/226
D. 240,090	5/1976	Siegel	.....	D3/243
1,844,603	2/1932	Sarson	.....	224/238



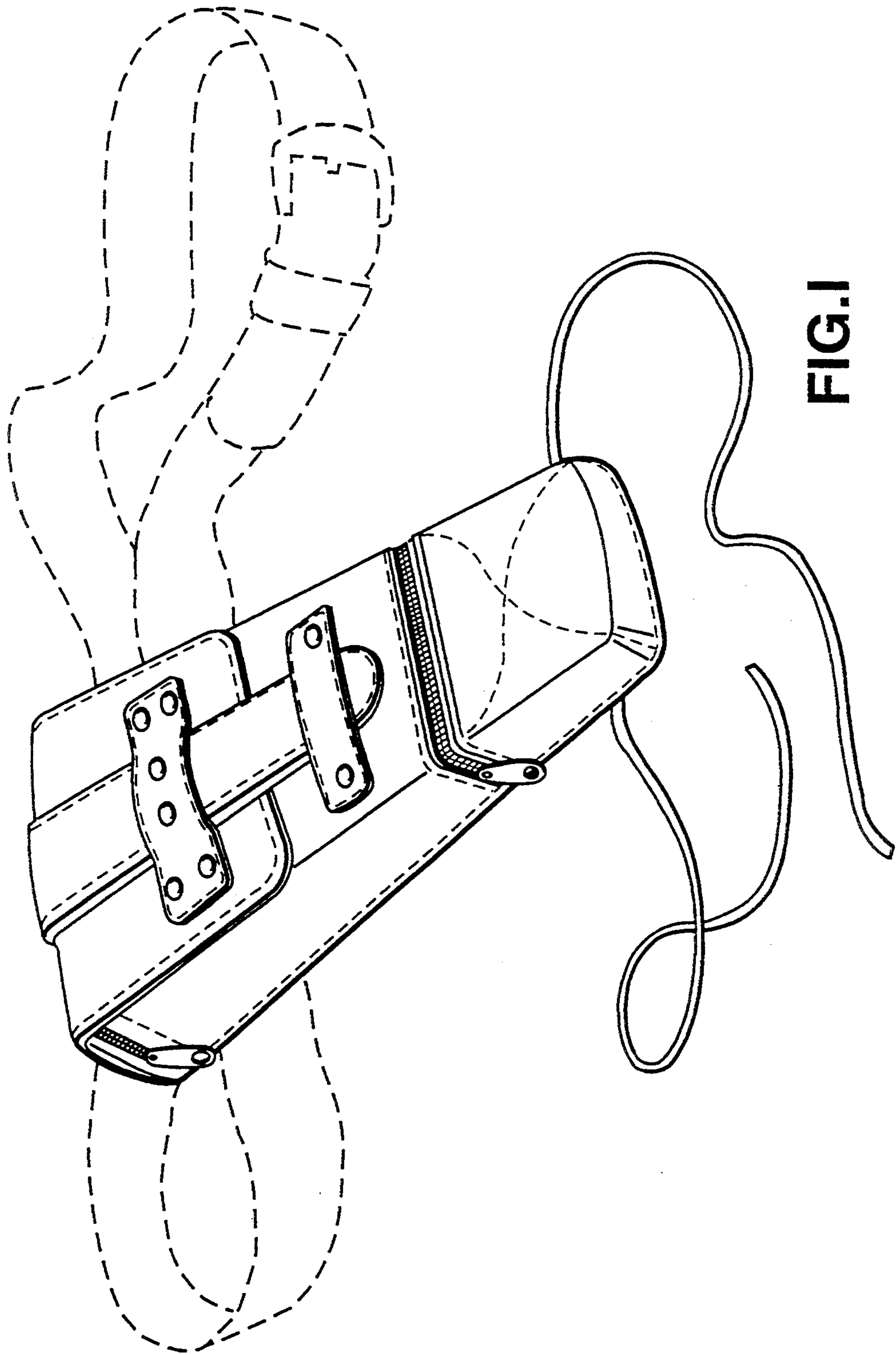


FIG. I

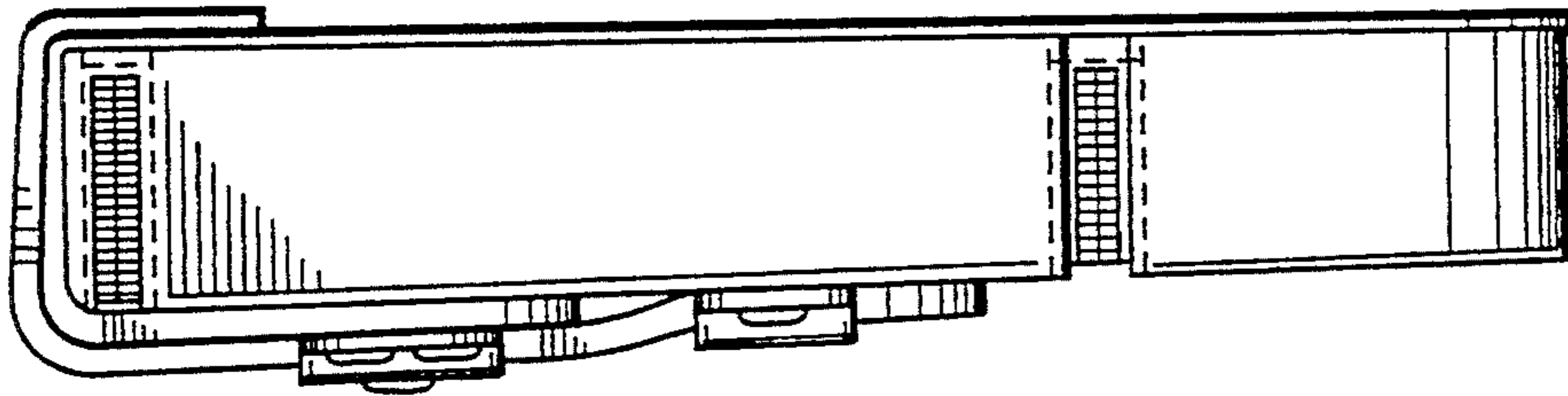


FIG. 4

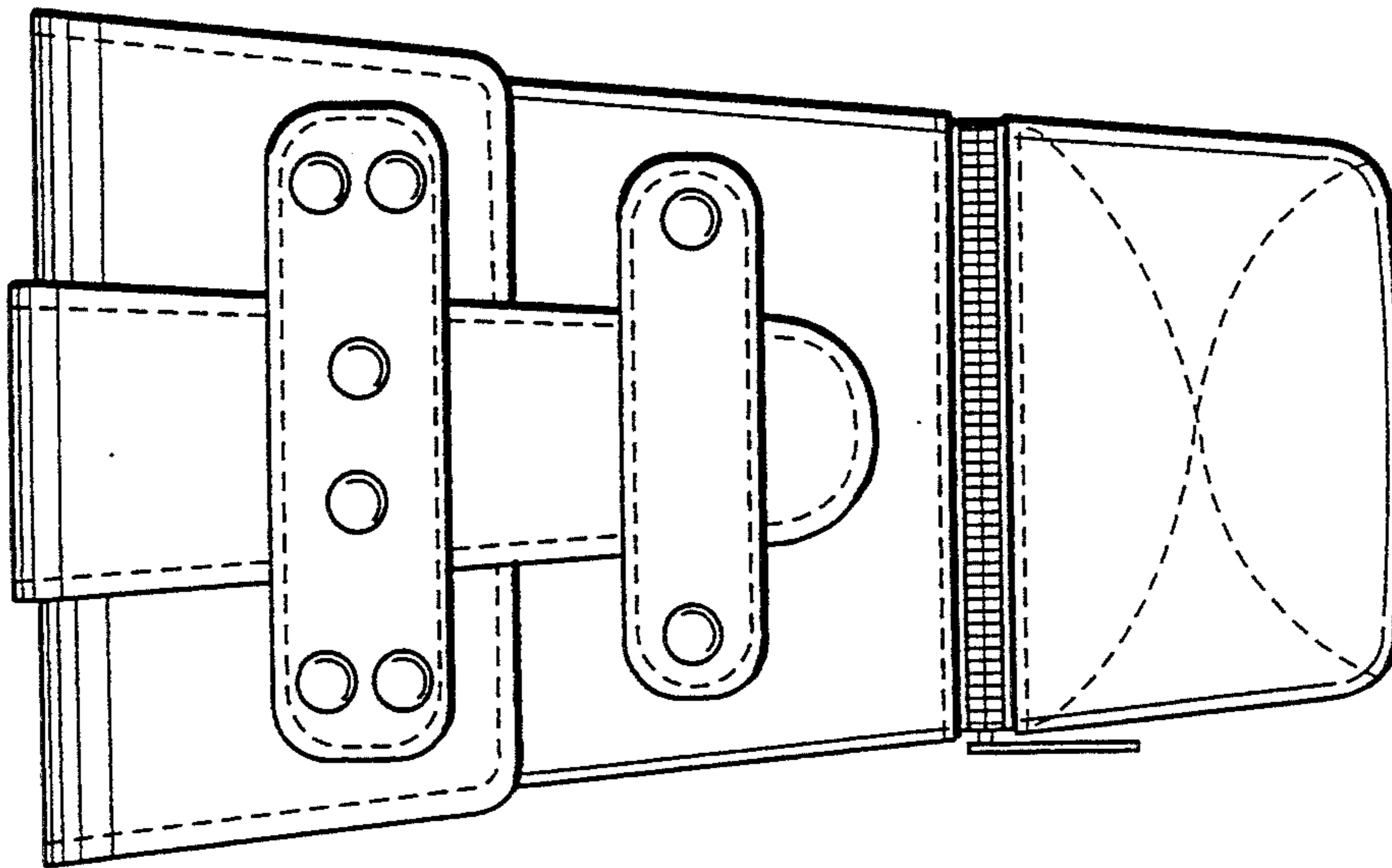


FIG. 3

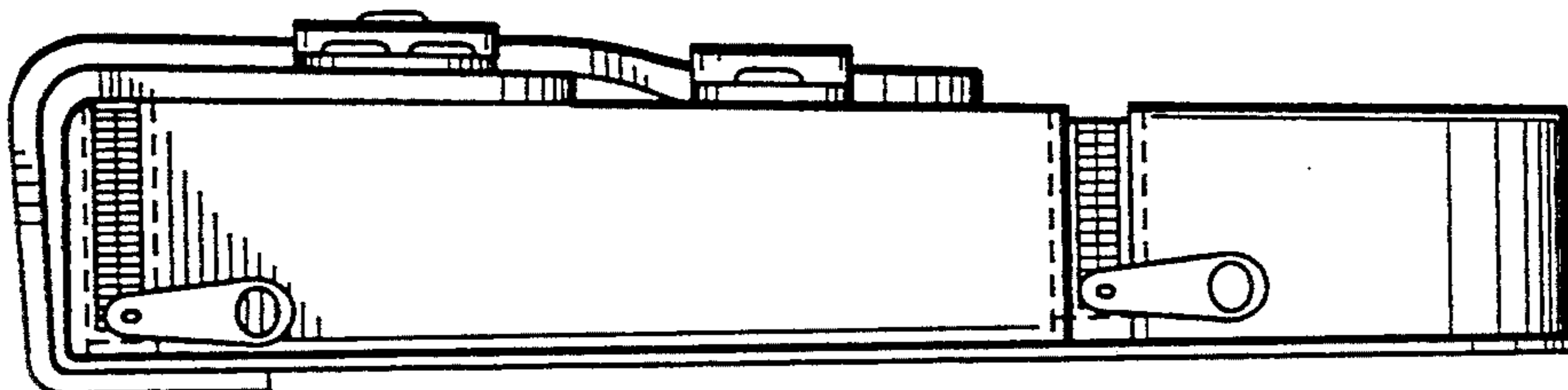
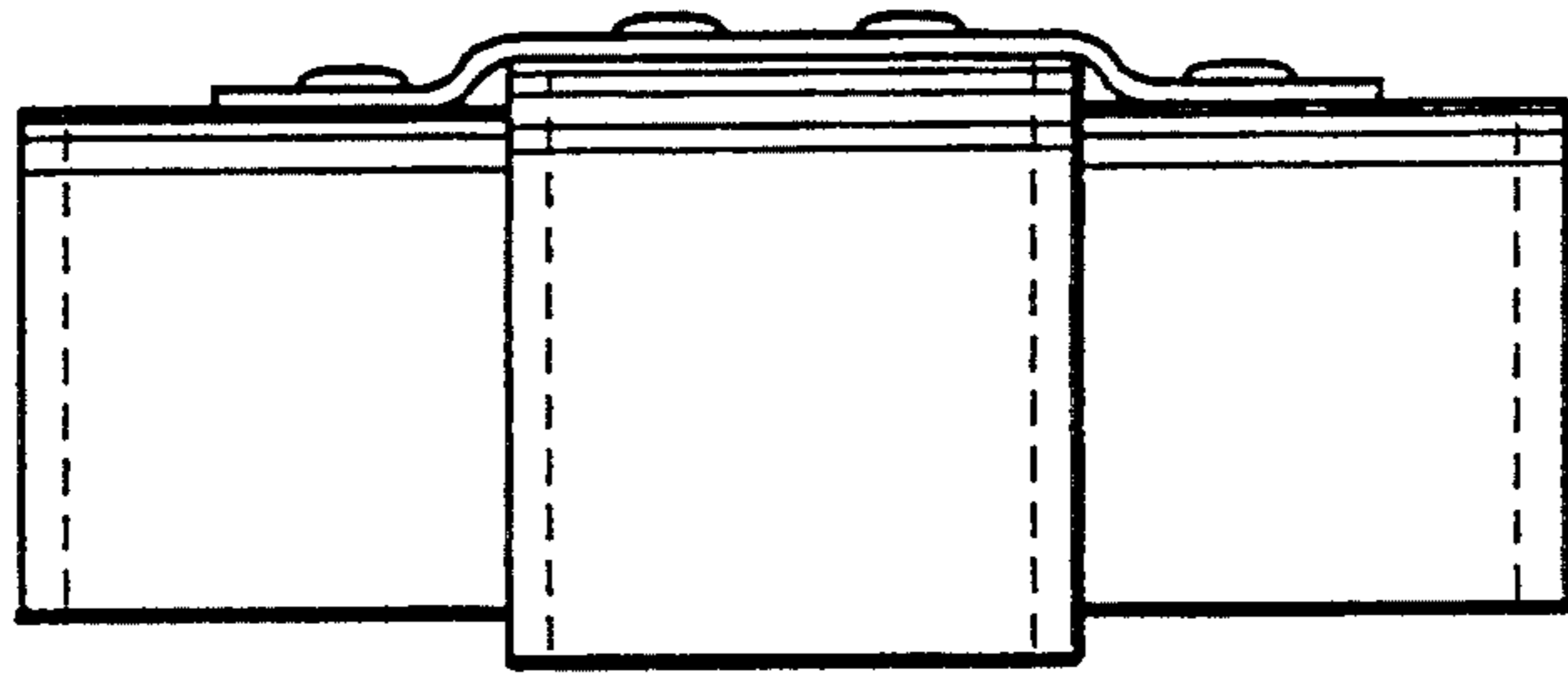
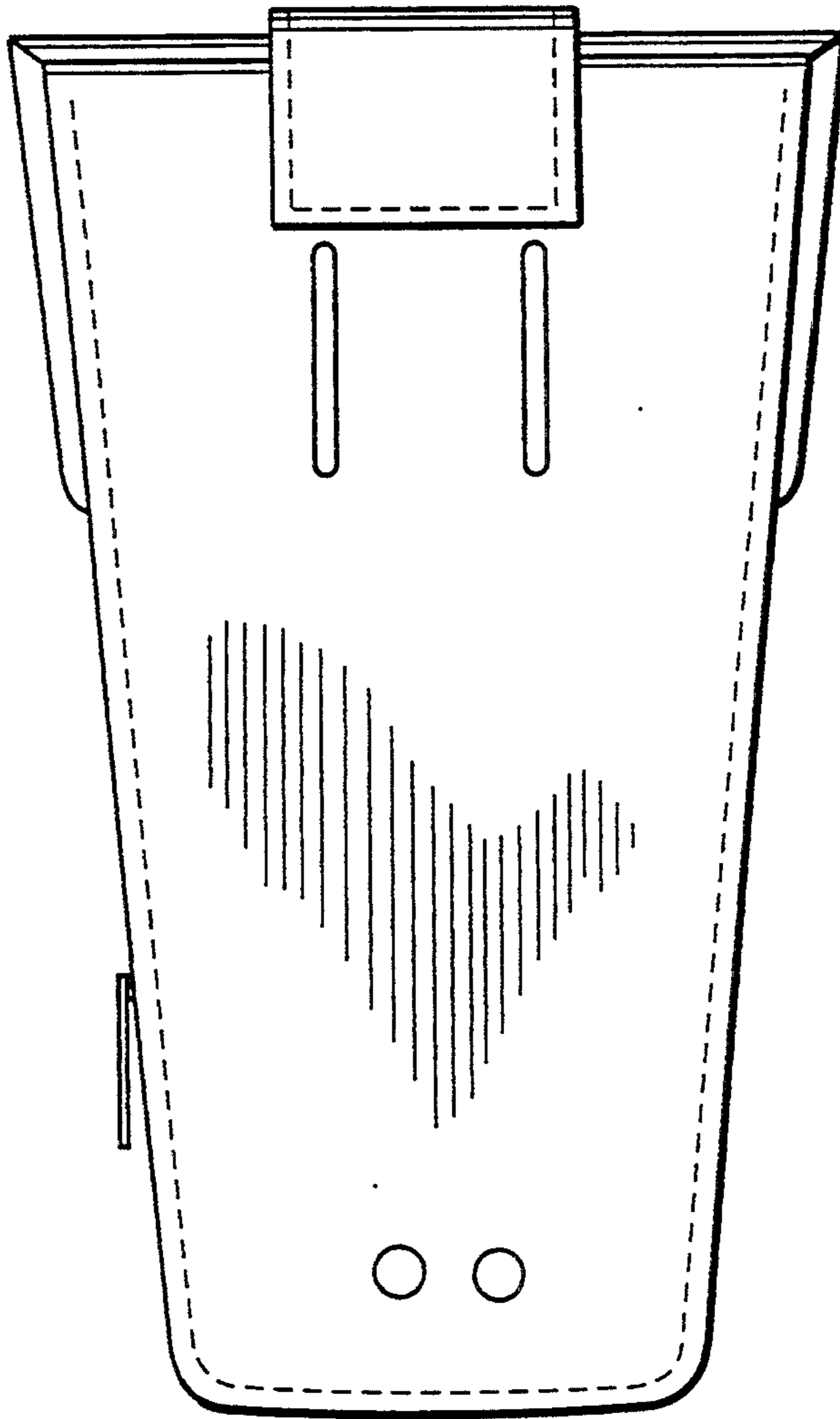


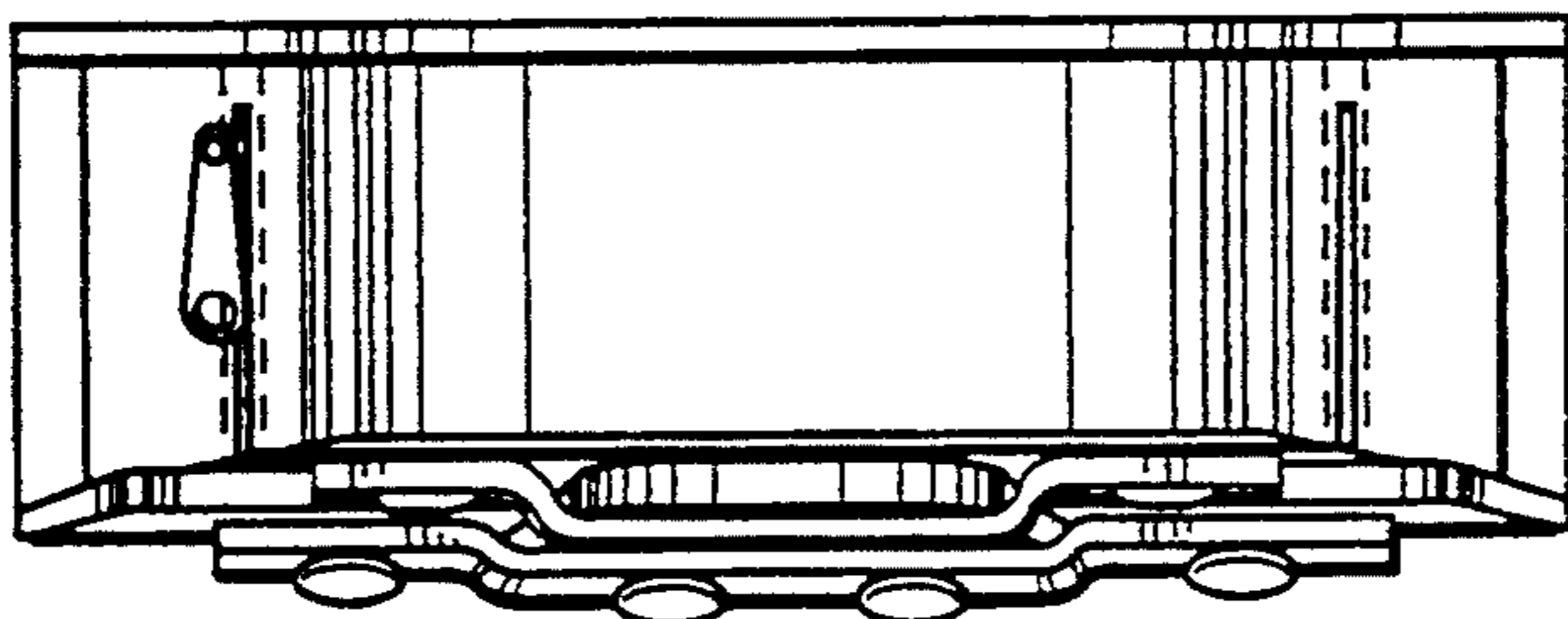
FIG. 2



**FIG.5**



**FIG.6**



**FIG.7**