



US00D360970S

United States Patent [19]

[11] Patent Number: **Des. 360,970**

Gates et al.

[45] Date of Patent: **** Aug. 8, 1995**

[54] **BUCKLE FOR A SHOULDER STRAP AND LAP BELT**

4,473,926	10/1984	Ono	24/196
4,706,992	11/1987	Downing et al.	280/801.1
4,903,378	2/1990	Kasai	24/196
5,311,653	5/1994	Merrick	24/196

[76] Inventors: **Roger A. Gates; Margaret D. Gates**, both of Rte. 1 Box 730-U, Webster, Fla. 33597

Primary Examiner—Terry A. Wallace
Assistant Examiner—Paula Mortimer

[**] Term: **14 Years**

[57] **CLAIM**

[21] Appl. No.: **16,710**

The ornamental design for a buckle for a shoulder strap and lap belt, as shown and described.

[22] Filed: **Dec. 23, 1993**

DESCRIPTION

[52] U.S. Cl. **D2/639**

[58] **Field of Search** D2/639, 627; 297/473, 297/464, 468, 485, 468, 482; 280/801.1; 24/163 K, 196, 297, 200; D11/86, 93, 94, 200, 213, 216, 218

FIG. 1 is a front elevational view of the a buckle for a shoulder strap and lap belt showing my new design; FIG. 2 is a rear elevational view thereof; FIG. 3 is a left side elevational view thereof; FIG. 4 is a right side elevational view thereof; FIG. 5 is a top plan view thereof; and, FIG. 6 is a bottom plan view thereof; and, FIG. 7 is an isometric view thereof, the broken line showing of the seat belt is for illustrative purposes only and form no part of the claimed design.

[56] **References Cited**

U.S. PATENT DOCUMENTS

D. 56,944 1/1921 Press D11/218
4,222,610 9/1980 Takada 297/468 X

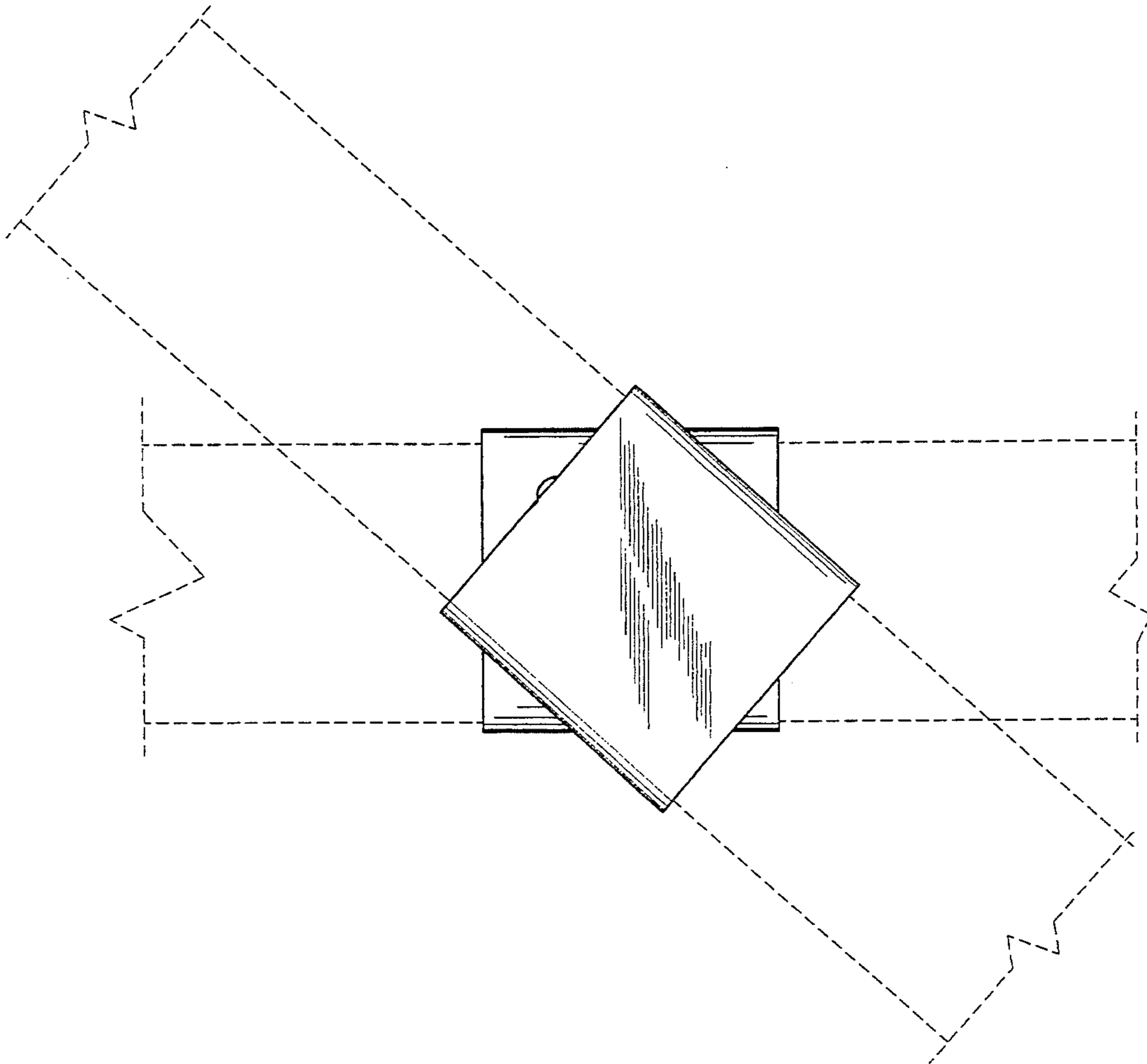


FIG. 1

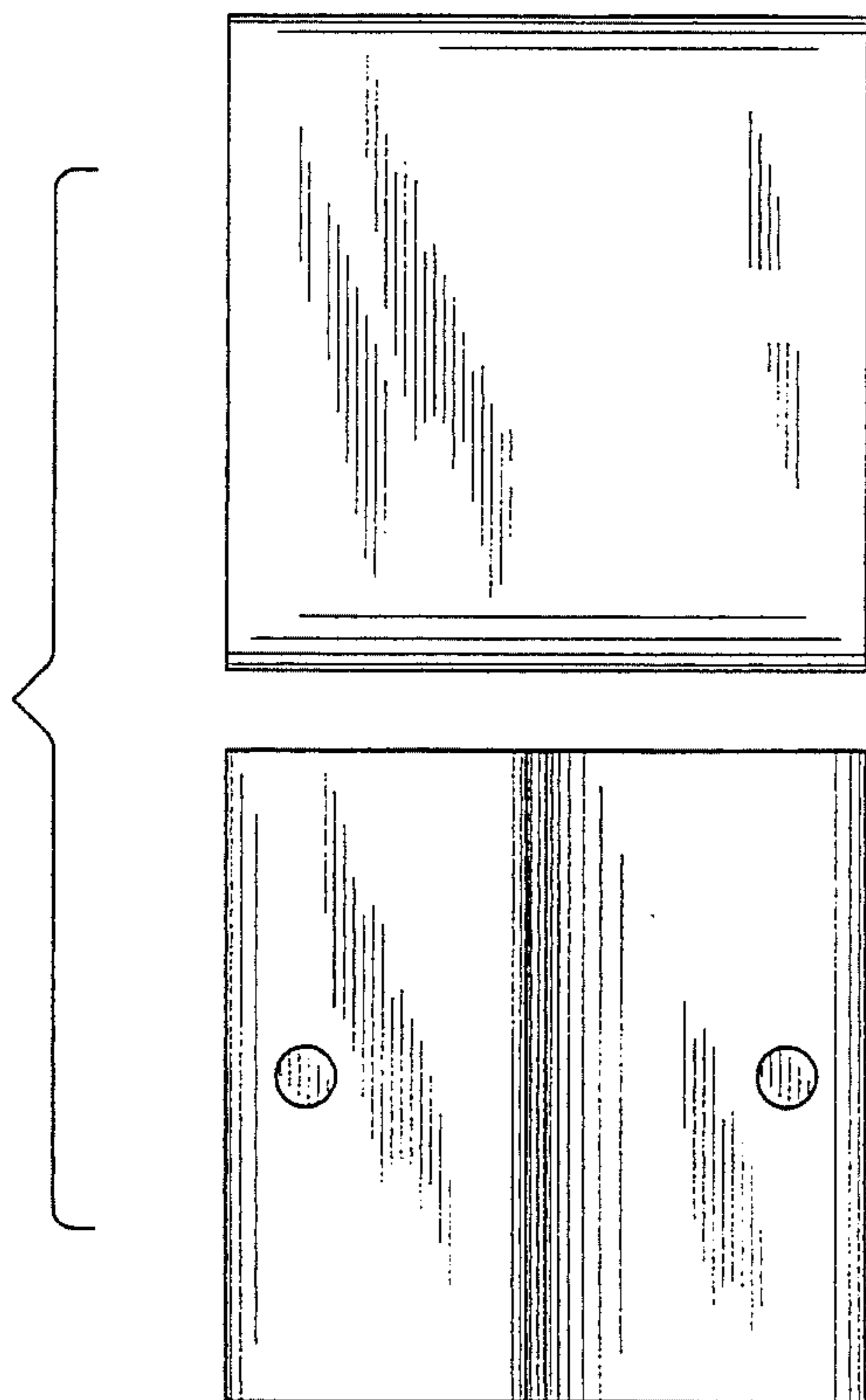


FIG. 2

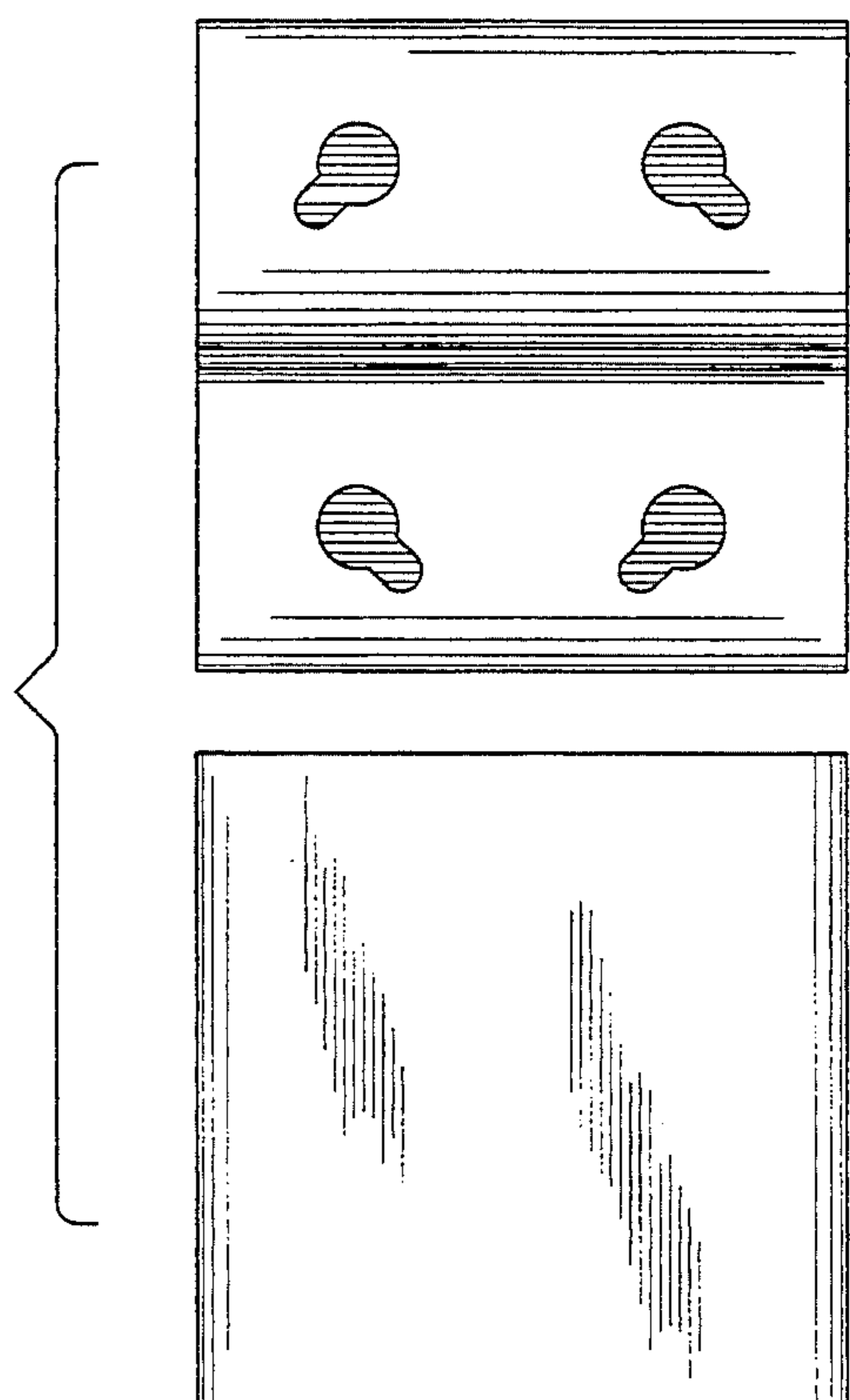


FIG. 3

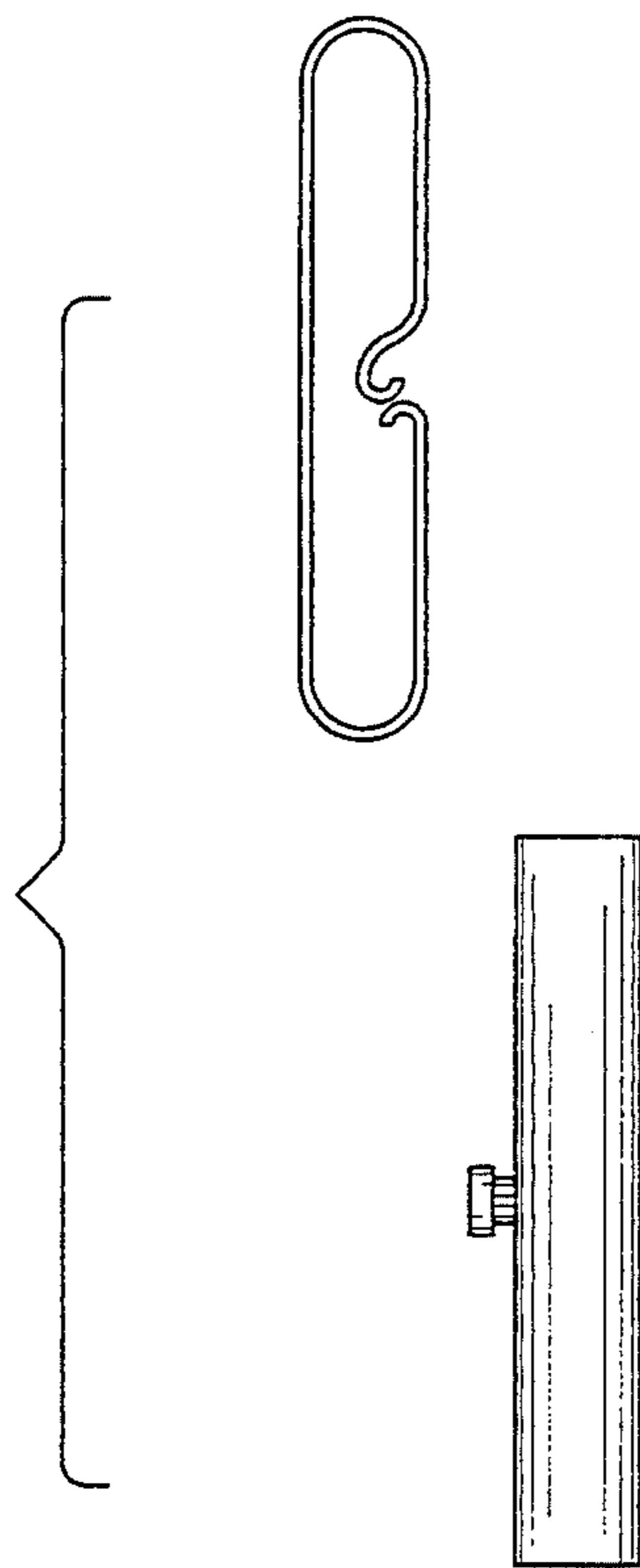


FIG. 4

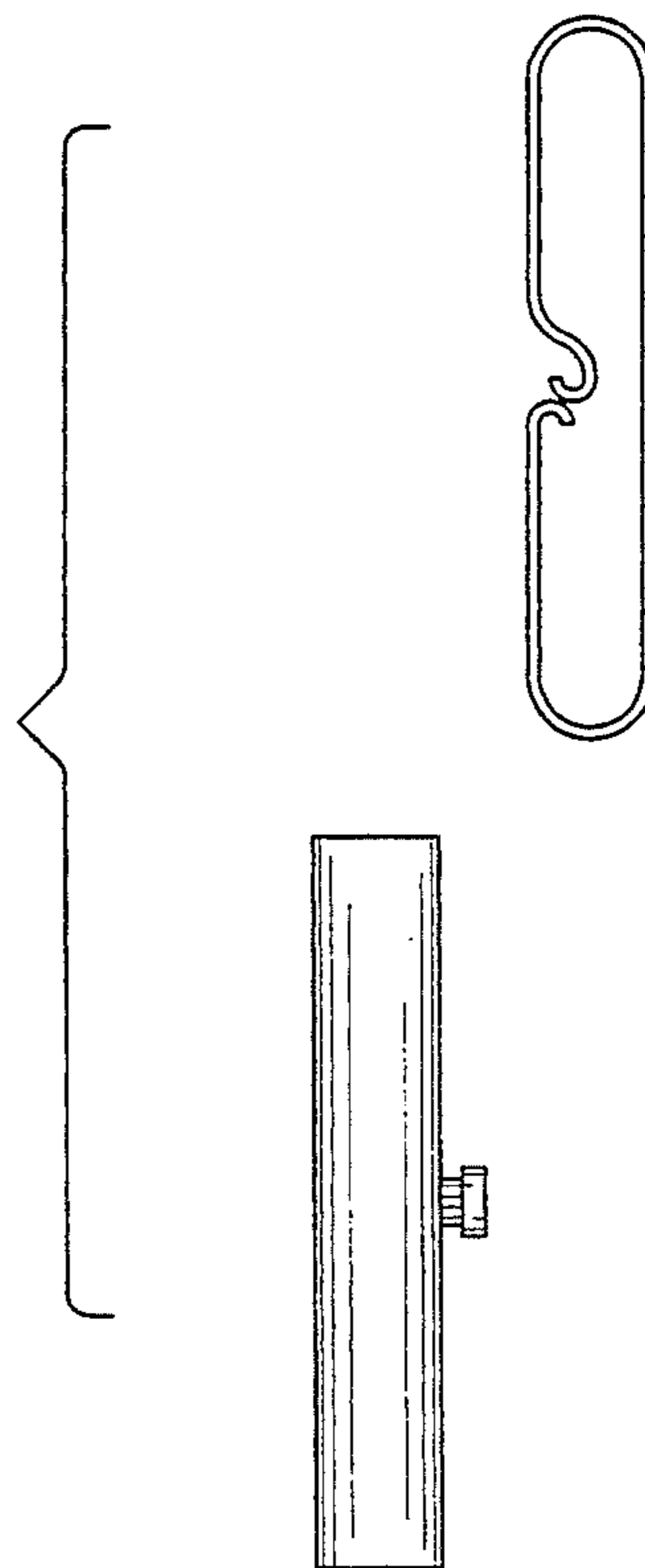


FIG. 5

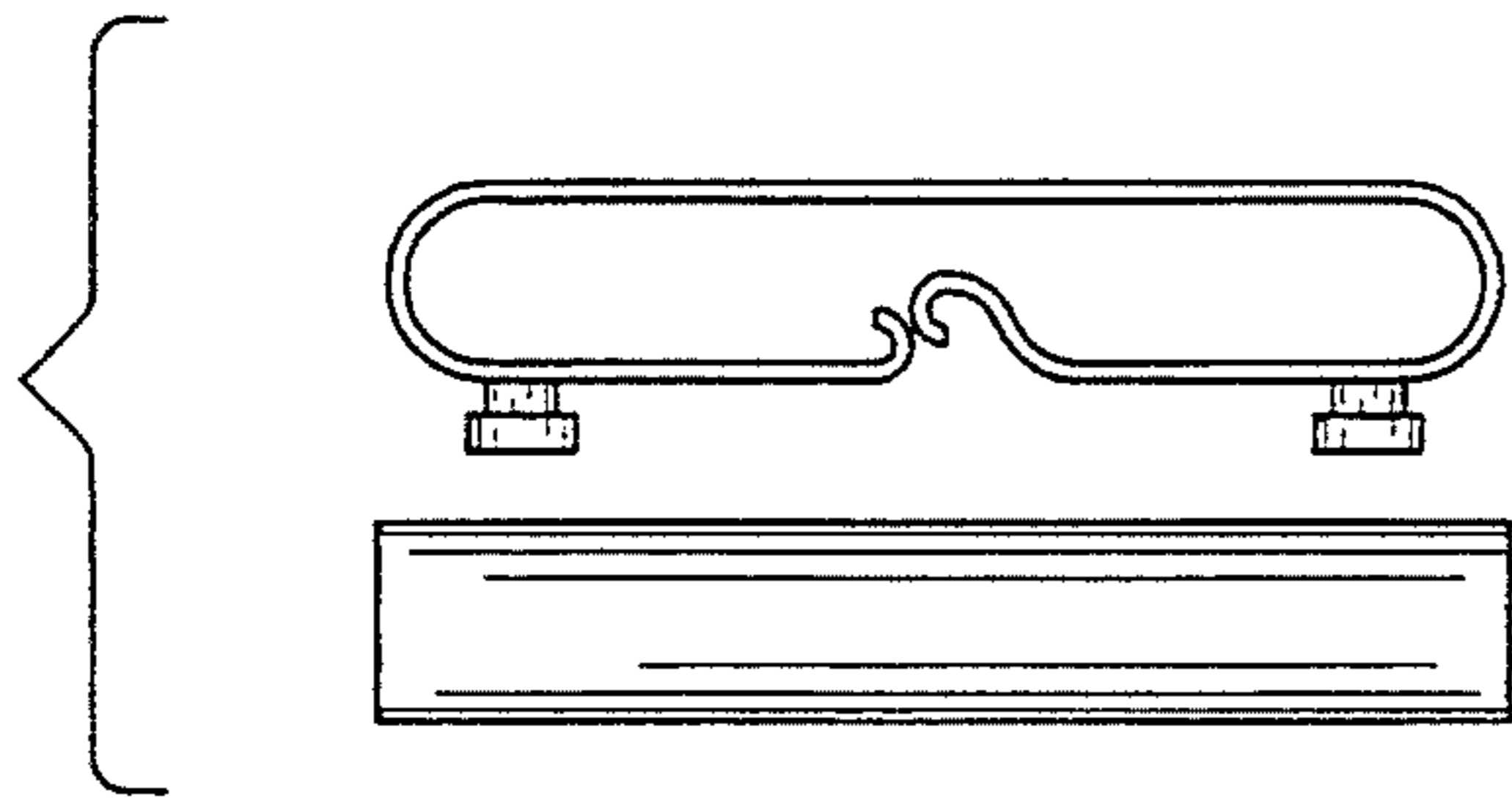


FIG. 6

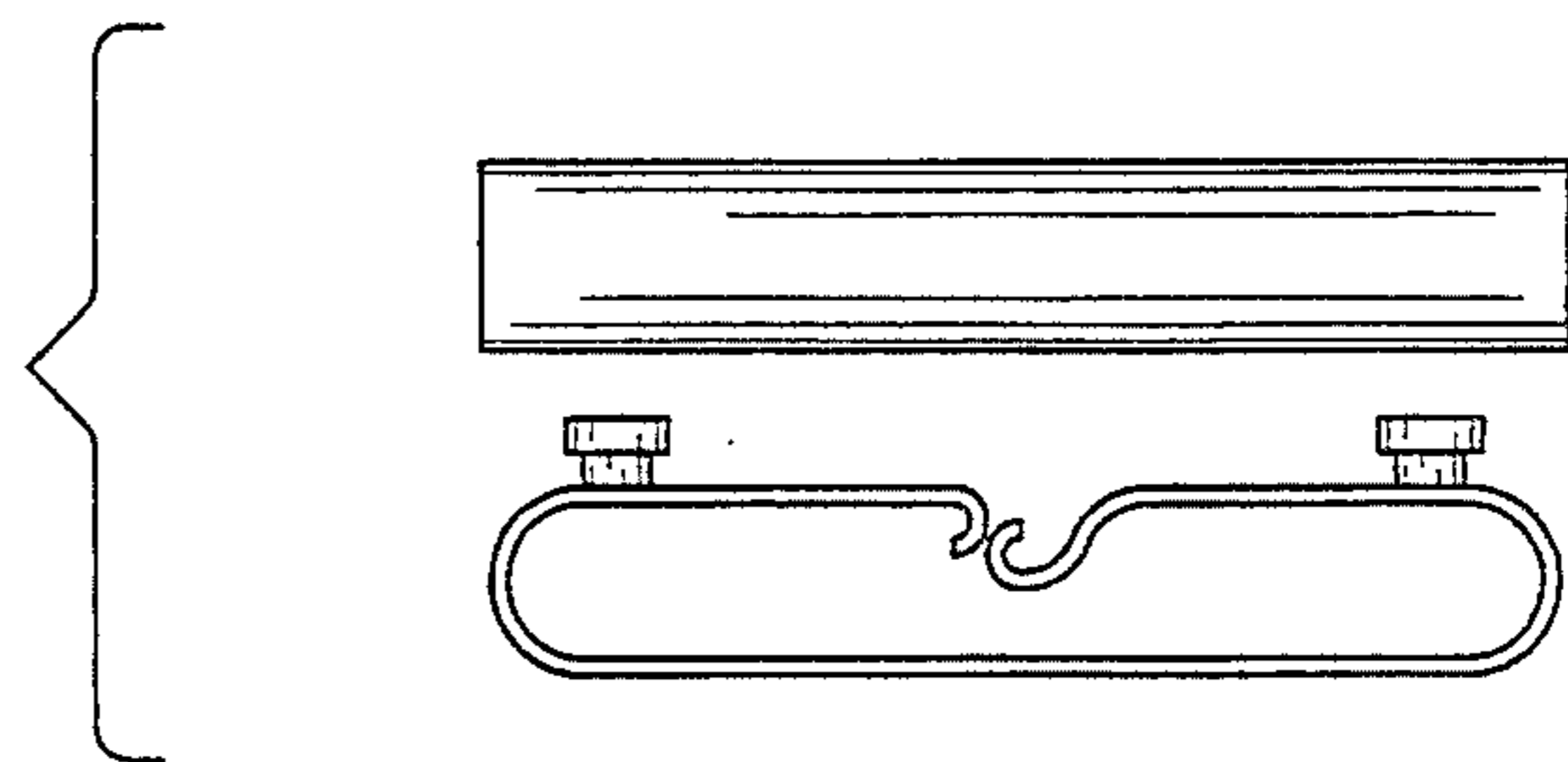


FIG. 7

