



US00D360965S

United States Patent [19]

[11] Patent Number: **Des. 360,965**

Cullen et al.

[45] Date of Patent: **** Aug. 1, 1995**

[54] **OUTDOOR LIGHT FIXTURE**

[75] Inventors: **Michael E. Cullen**, Grayslake, Ill.;
Daniel J. DeLay, Waterford; **Robert D. Giese**, Kenosha, both of Wis.

[73] Assignee: **Intermatic Incorporated**, Spring Grove, Ill.

[**] Term: **14 Years**

[21] Appl. No.: **26,428**

[22] Filed: **Jul. 27, 1994**

[52] U.S. Cl. **D26/68; D26/63**

[58] Field of Search **D26/60, 61, 63, 64, D26/65, 67-71; 362/269, 275, 285, 418, 419, 427, 153, 153.1, 431**

[56] **References Cited**

U.S. PATENT DOCUMENTS

- D. 277,511 2/1985 Patel D26/68
- D. 319,891 9/1991 Giese D26/67

- D. 333,529 2/1993 Denison et al. D26/68
- D. 340,305 10/1993 Hall et al. D26/68
- 3,263,069 7/1966 Krucki et al. 362/431

Primary Examiner—Susan J. Lucas

Attorney, Agent, or Firm—William Brinks Hofer Gilson & Lione

[57] **CLAIM**

The ornamental design for an outdoor light fixture, as shown and described.

DESCRIPTION

FIG. 1 is a front perspective view showing the outdoor light fixture of the present invention; the broken line showing of the stake in this and the below figures is for illustrative purposes only;

FIG. 2 is a side view thereof;

FIG. 3 is a top view thereof;

FIG. 4 is a front view thereof;

FIG. 5 is a rear view thereof; and,

FIG. 6 is a bottom view thereof.

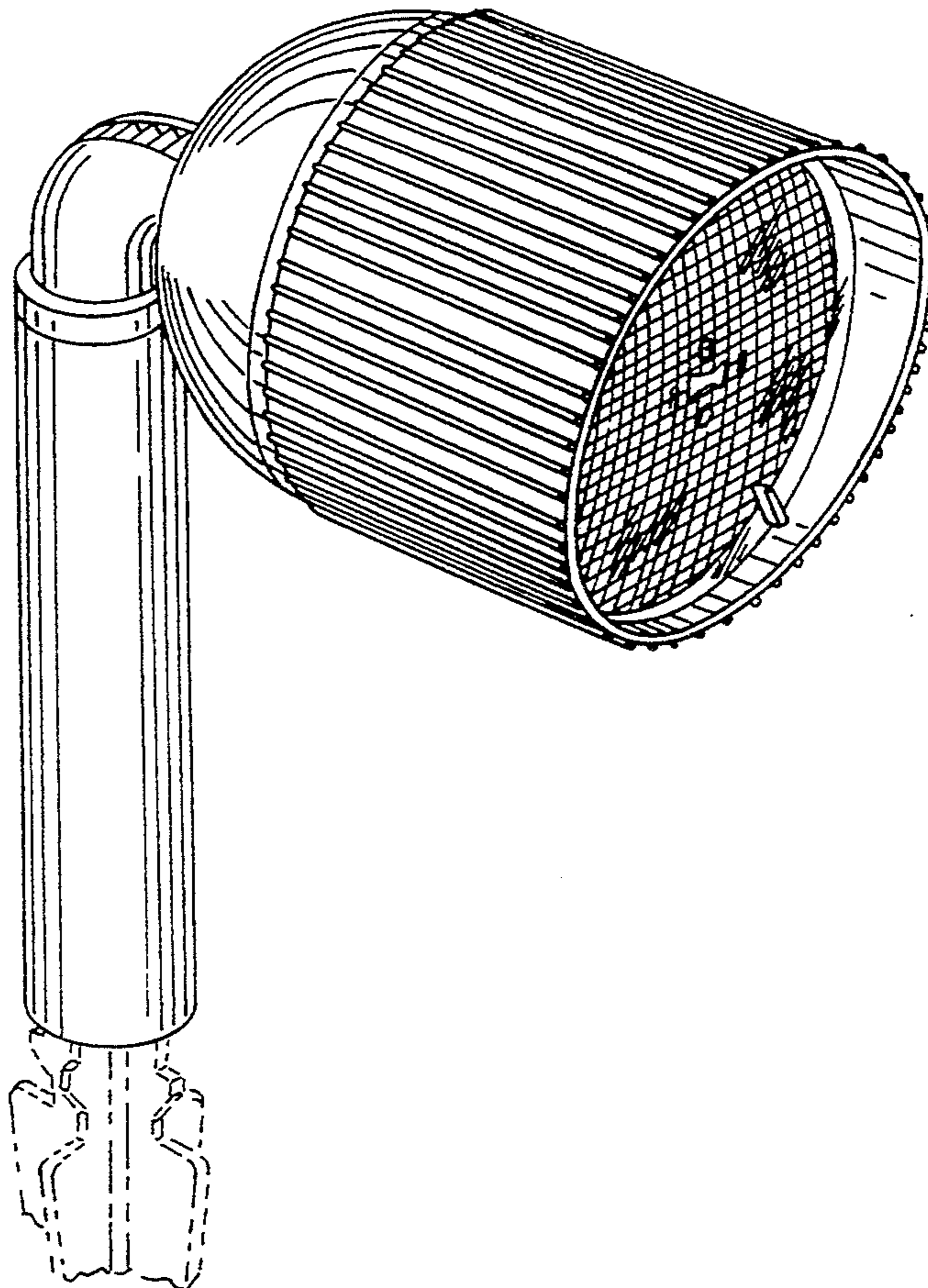


FIG. 1

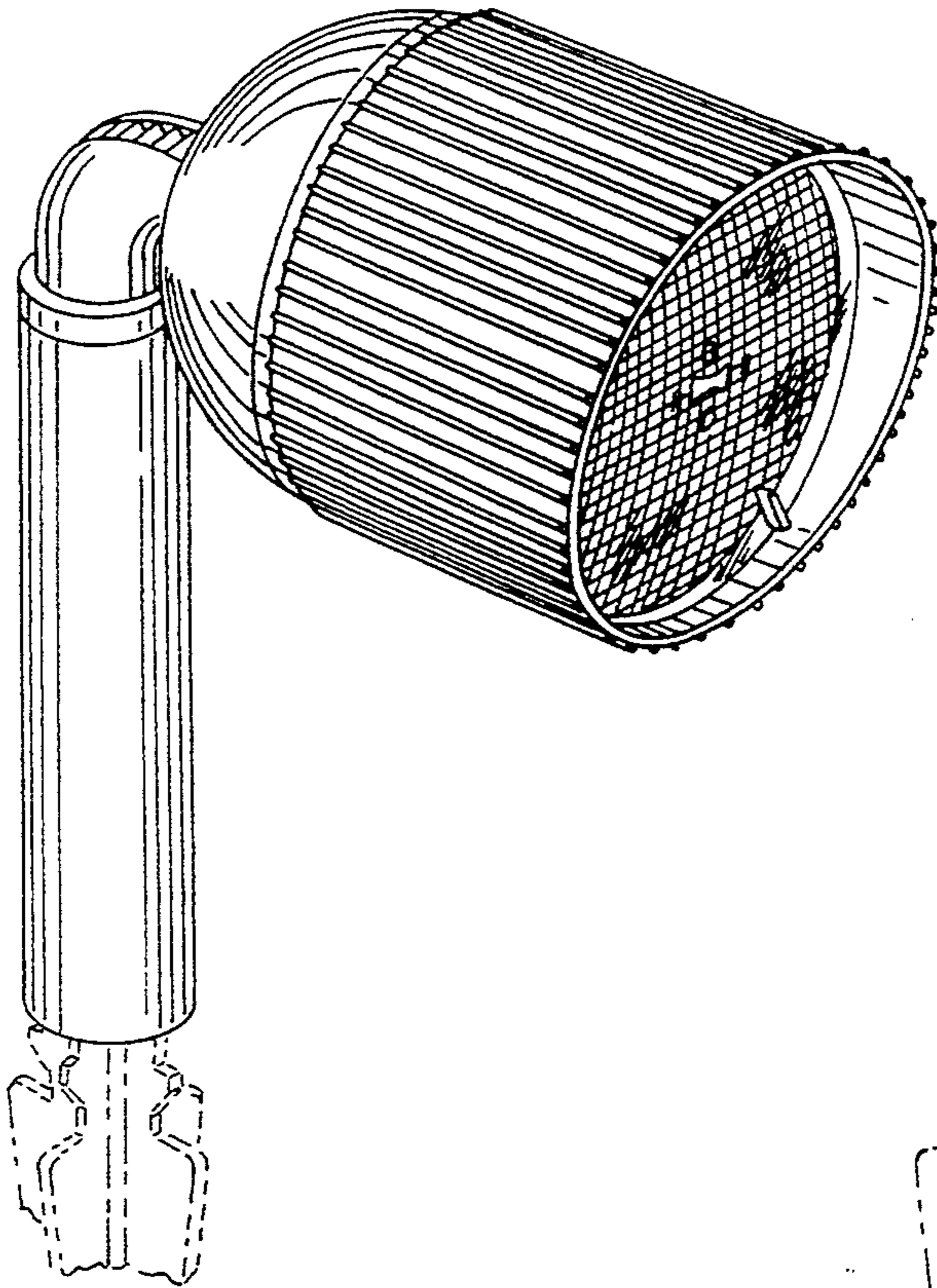


FIG. 2

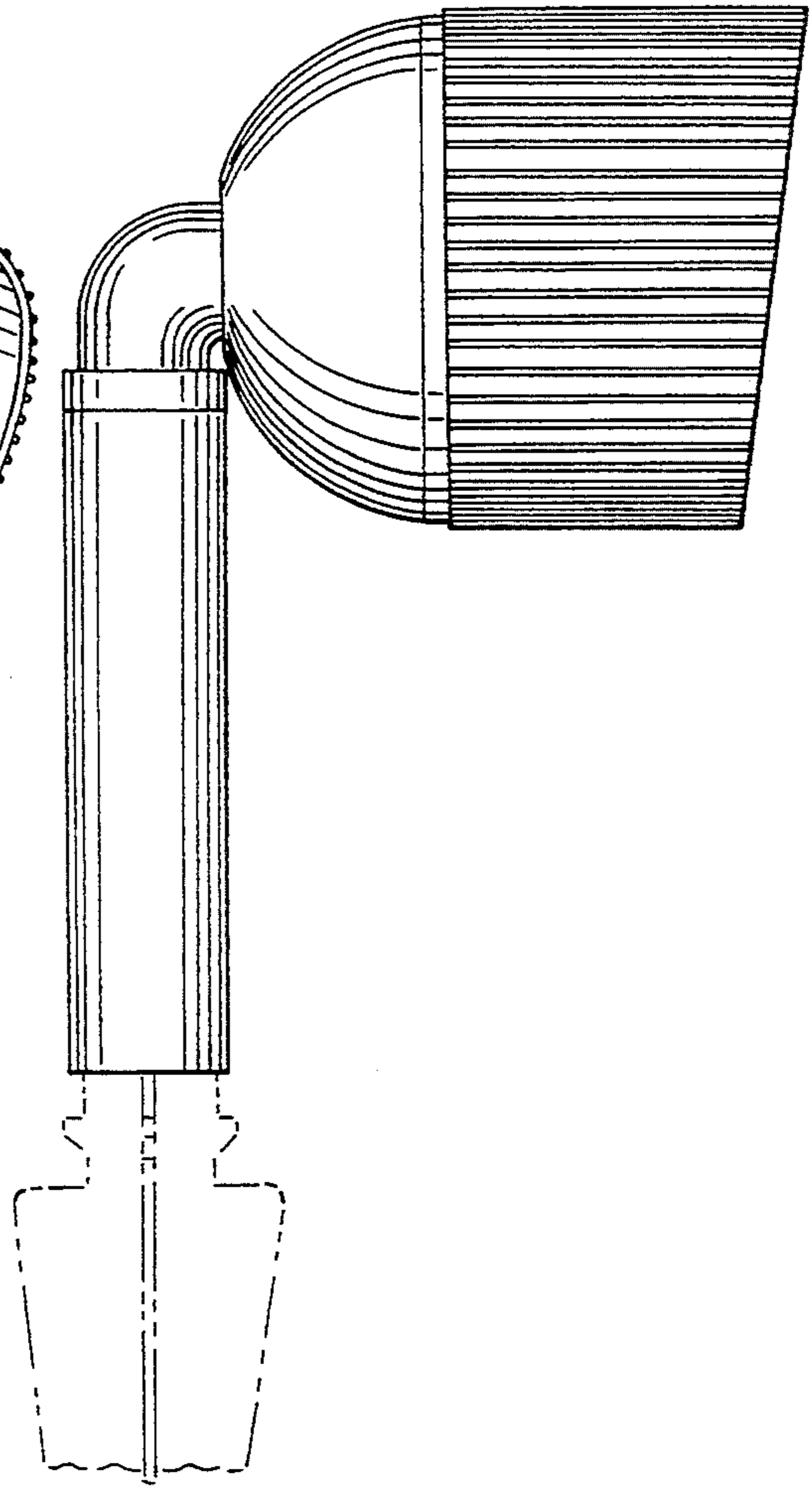


FIG. 3

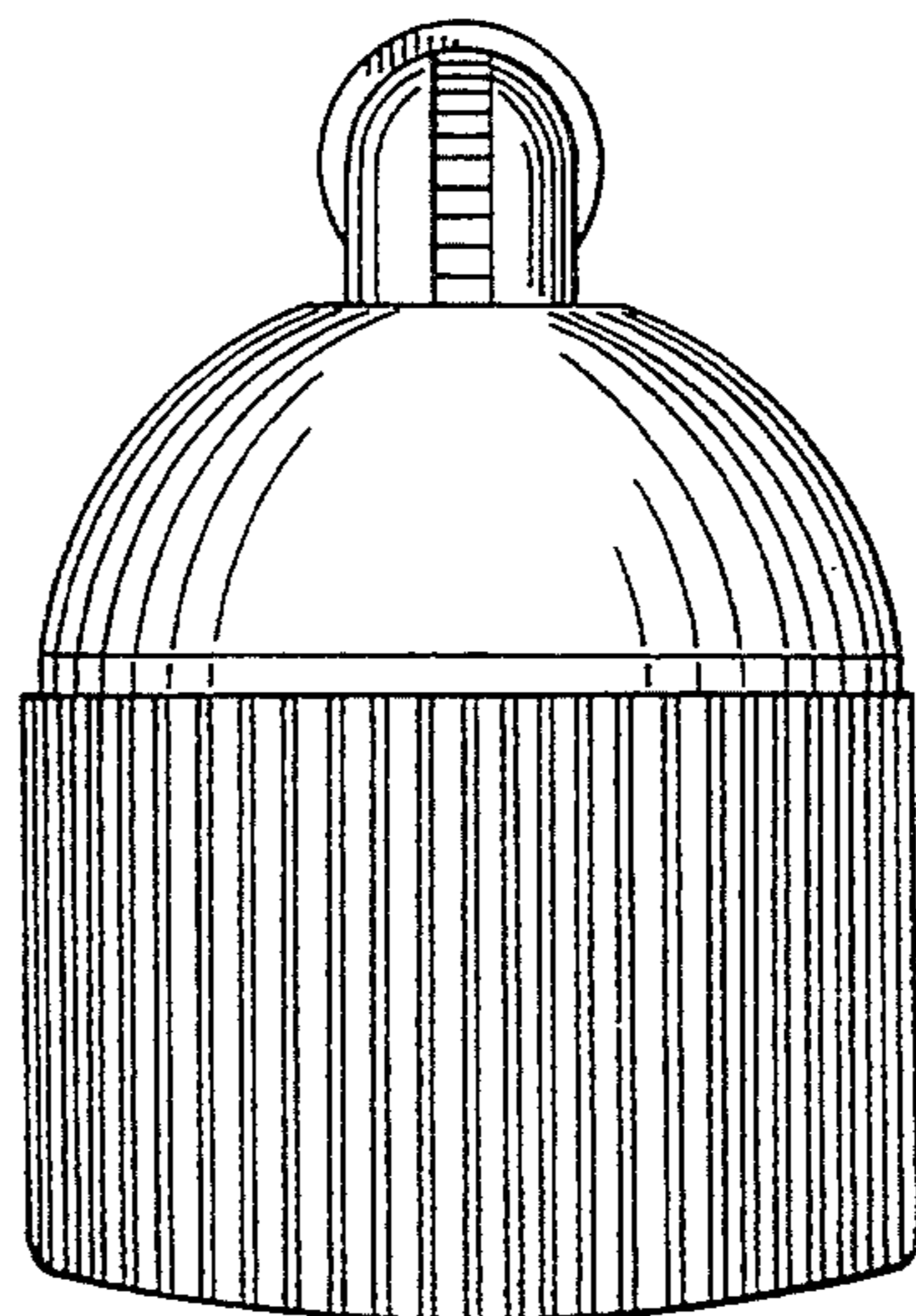


FIG. 4

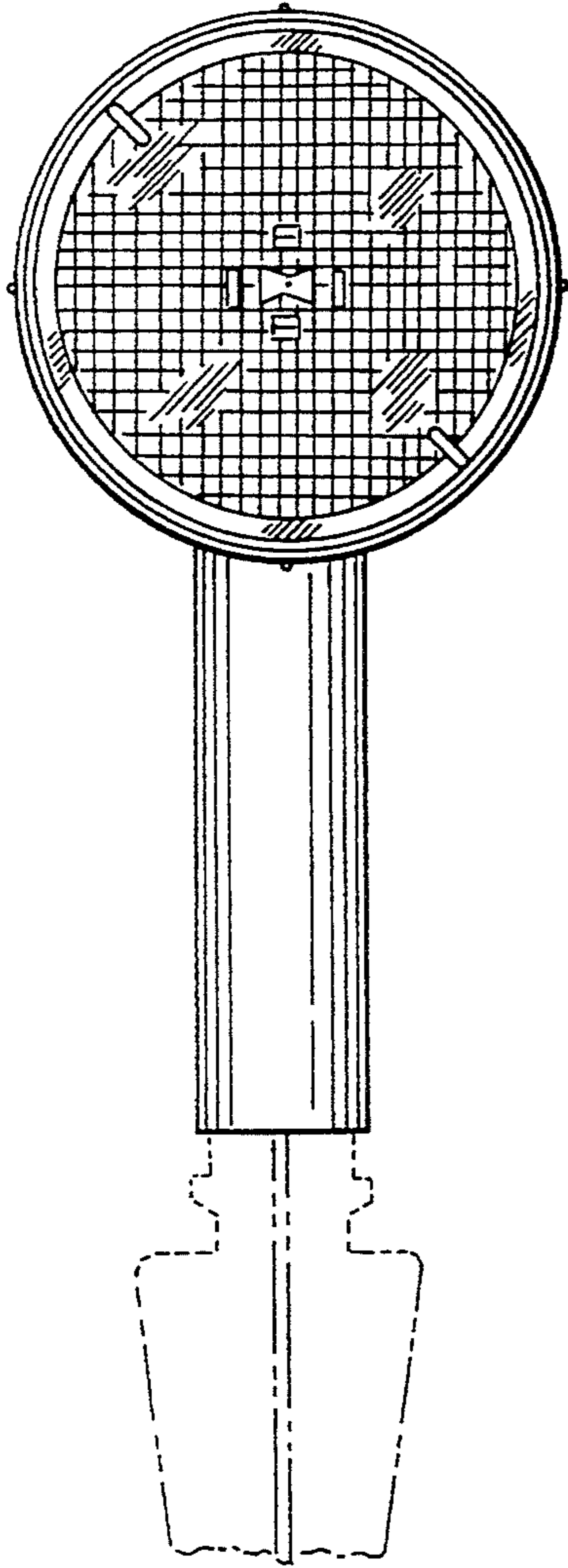


FIG. 5

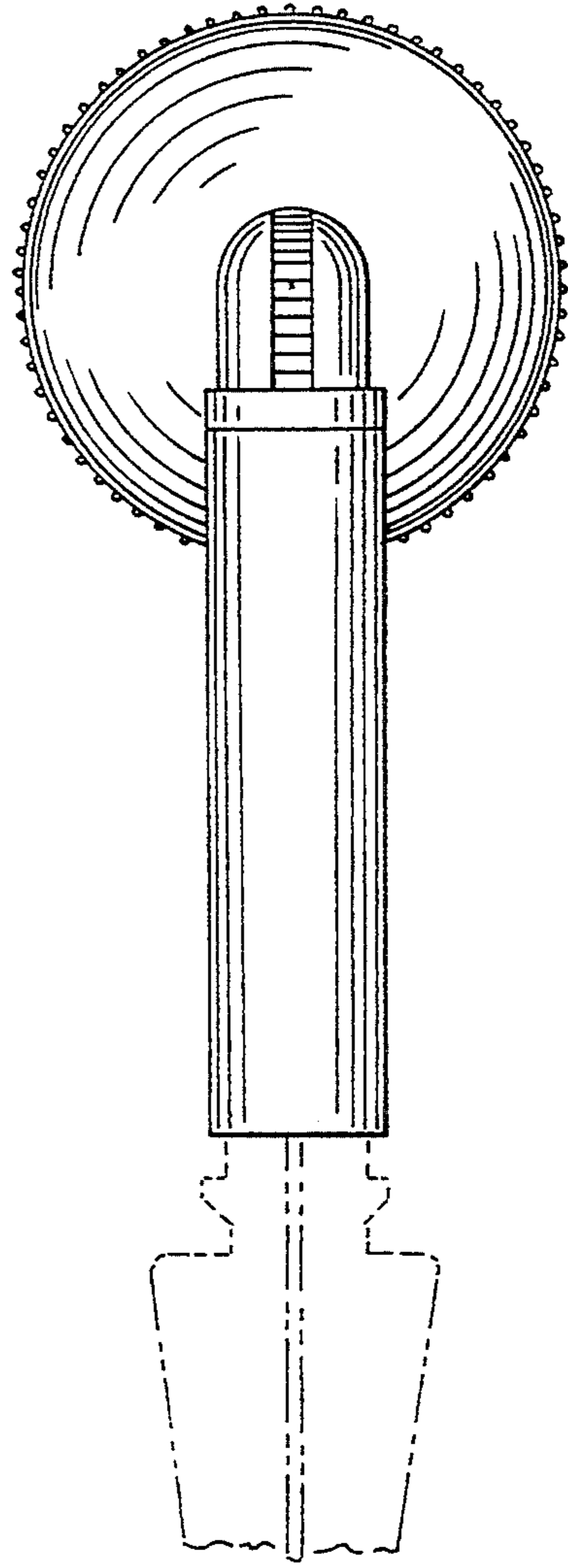


FIG. 6

