



US00D360964S

United States Patent [19]

[11] Patent Number: **Des. 360,964**

Cullen et al.

[45] Date of Patent: **** Aug. 1, 1995**

[54] **OUTDOOR LIGHT FIXTURE**

[75] Inventors: **Michael E. Cullen**, Grayslake, Ill.;
Daniel J. DeLay, Waterford; **Robert D. Giese**, Kenosha, both of Wis.

[73] Assignee: **Intermatic Incorporated**, Spring Grove, Ill.

[**] Term: **14 Years**

[21] Appl. No.: **26,427**

[22] Filed: **Jul. 27, 1994**

[52] U.S. Cl. **D26/68**

[58] Field of Search **D26/67-71;**
362/153, 153.1, 431

[56] **References Cited**

U.S. PATENT DOCUMENTS

D. 329,100 9/1992 Hall et al. D26/67

D. 330,777 11/1992 Hall et al. D26/68
D. 330,778 11/1992 Hall et al. D26/68

Primary Examiner—Susan J. Lucas
Attorney, Agent, or Firm—William Brinks Hofer Gilson & Lione

[57] **CLAIM**

The ornamental design for an outdoor light fixture, as shown and described.

DESCRIPTION

FIG. 1 is a front perspective view showing the outdoor light fixture of the present invention; the broken line showing of the stake in this and the below figures is for illustrative purposes only;

FIG. 2 is a side view thereof the front, opposite side, and rear being identical;

FIG. 3 is a bottom view thereof; and,

FIG. 4 is a top view thereof.

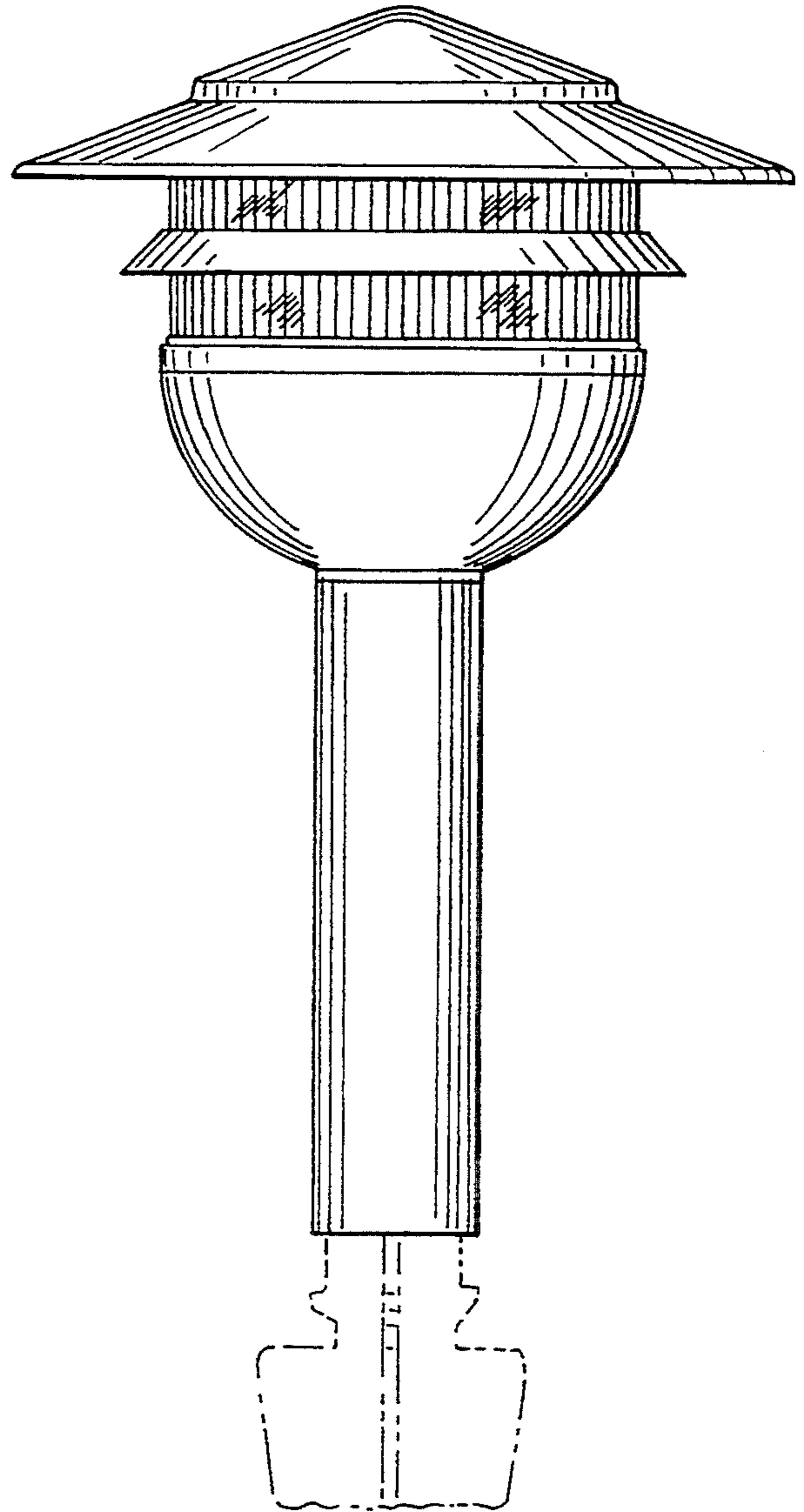
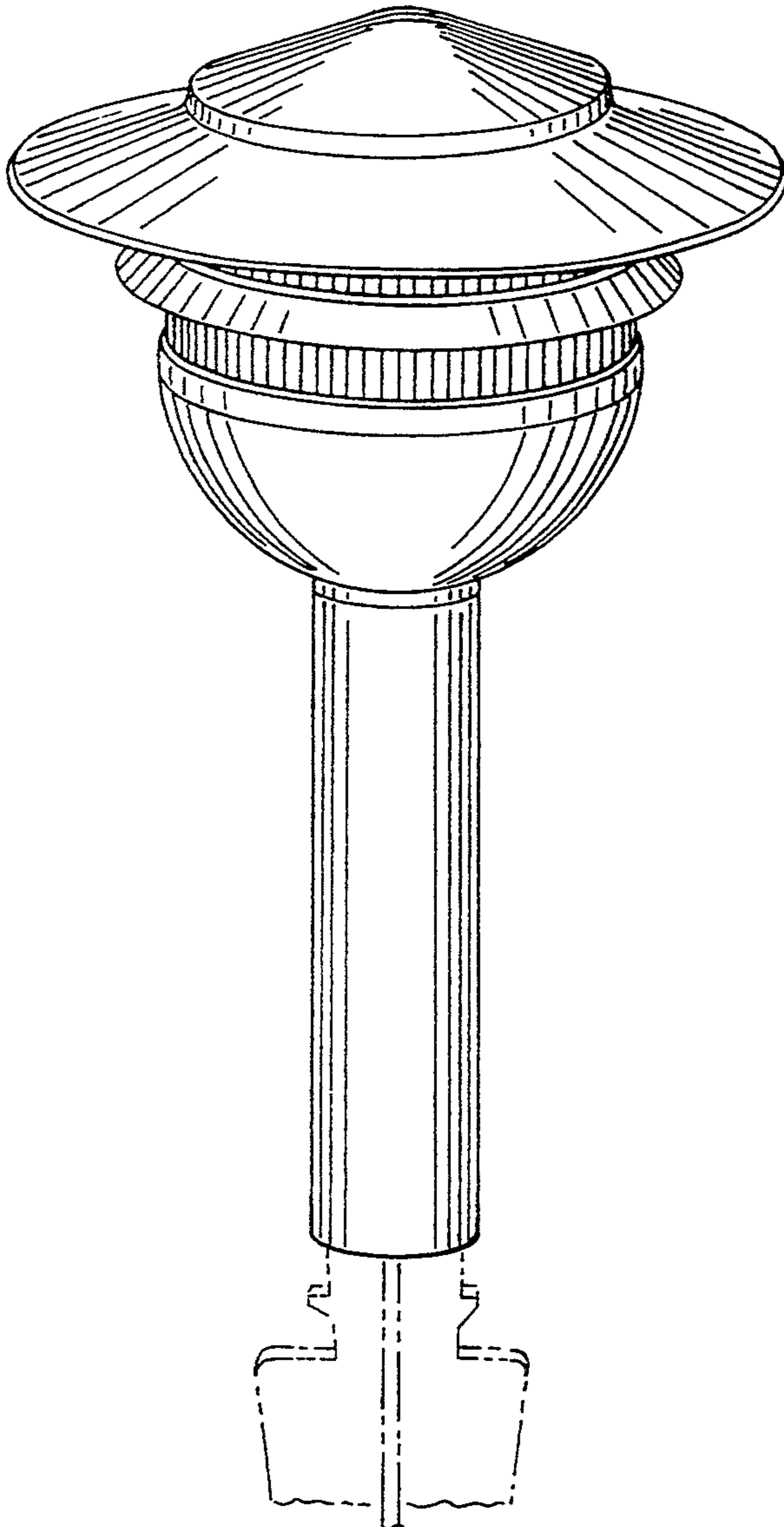


FIG. 1

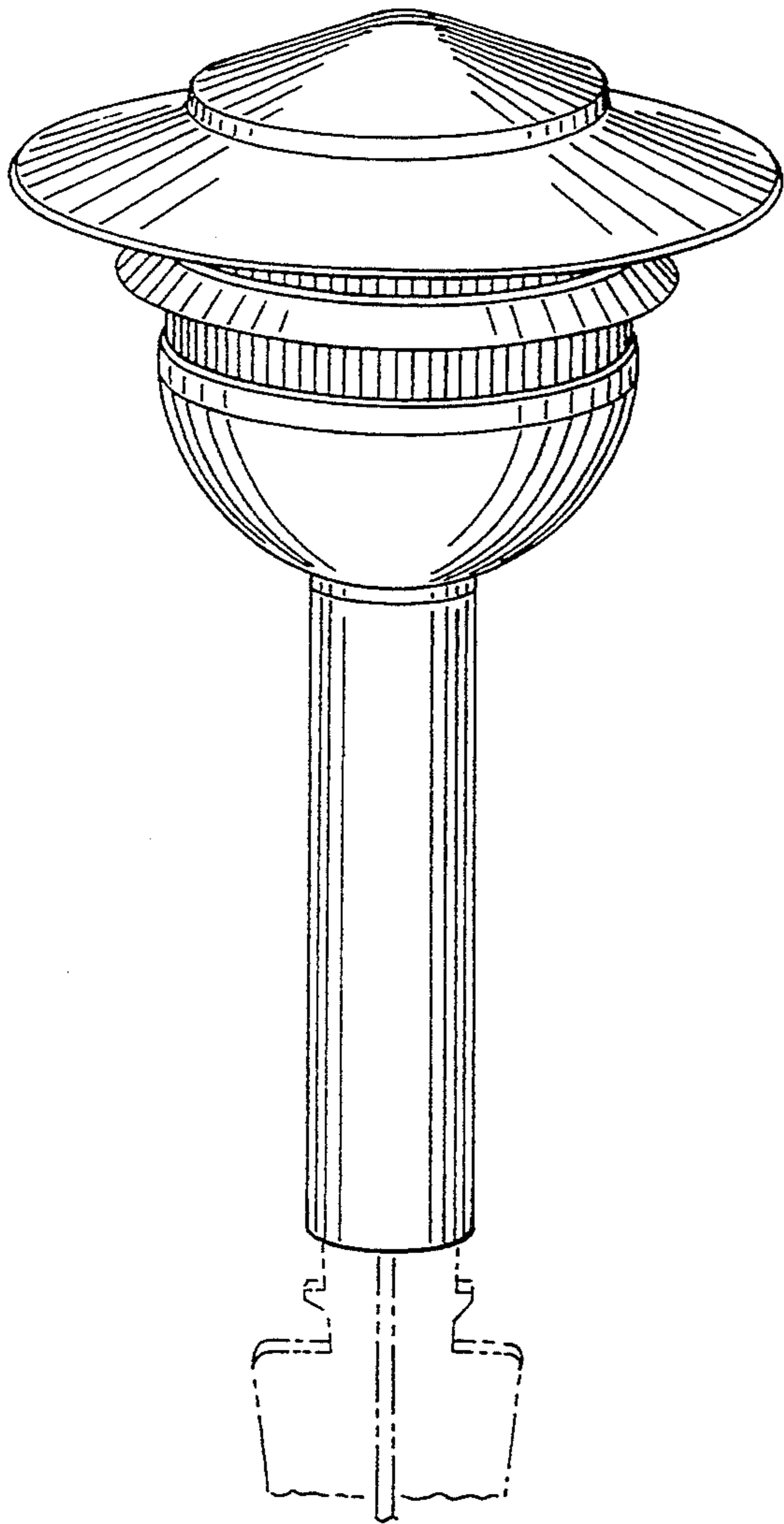


FIG. 2

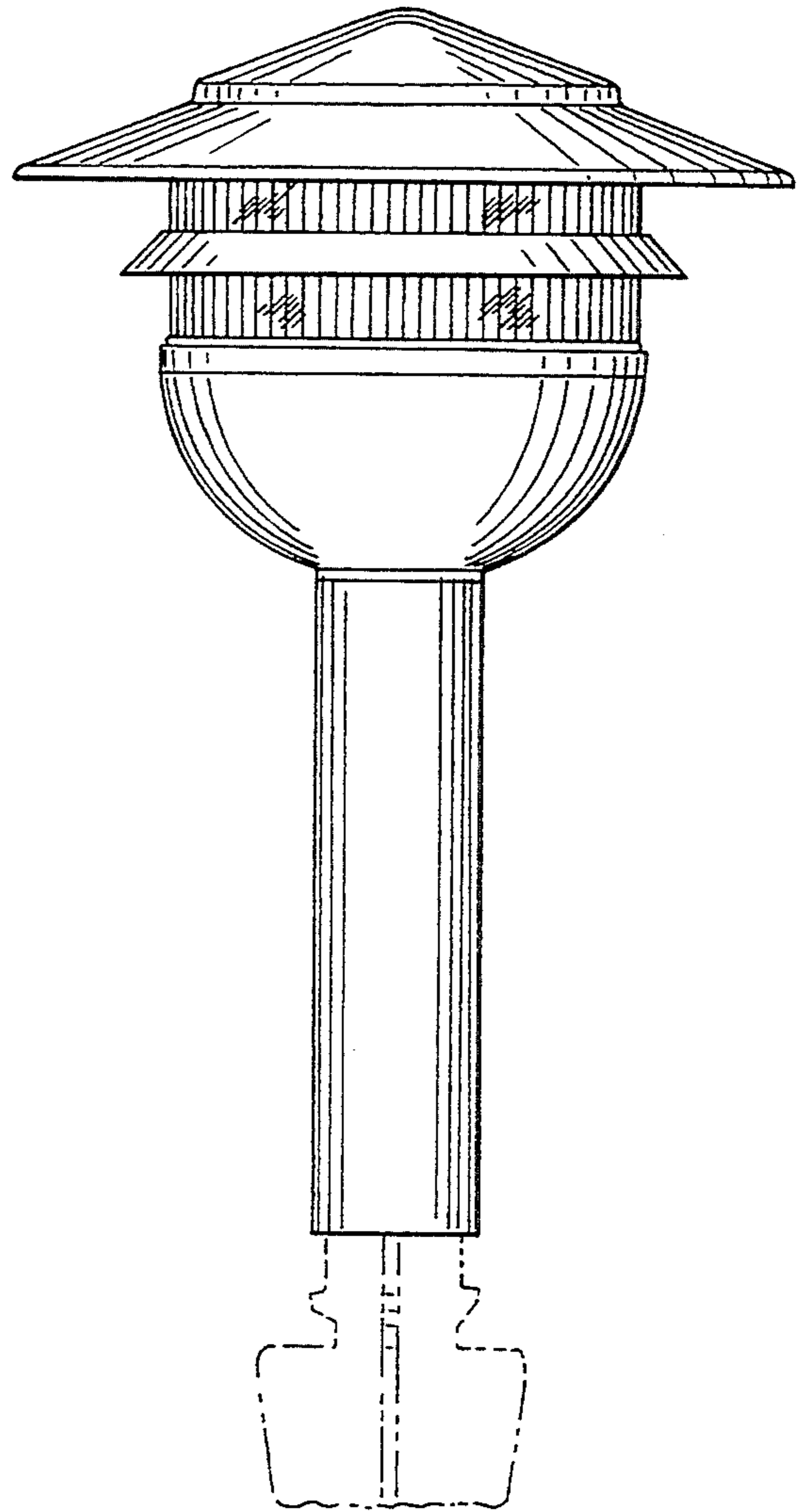


FIG. 3

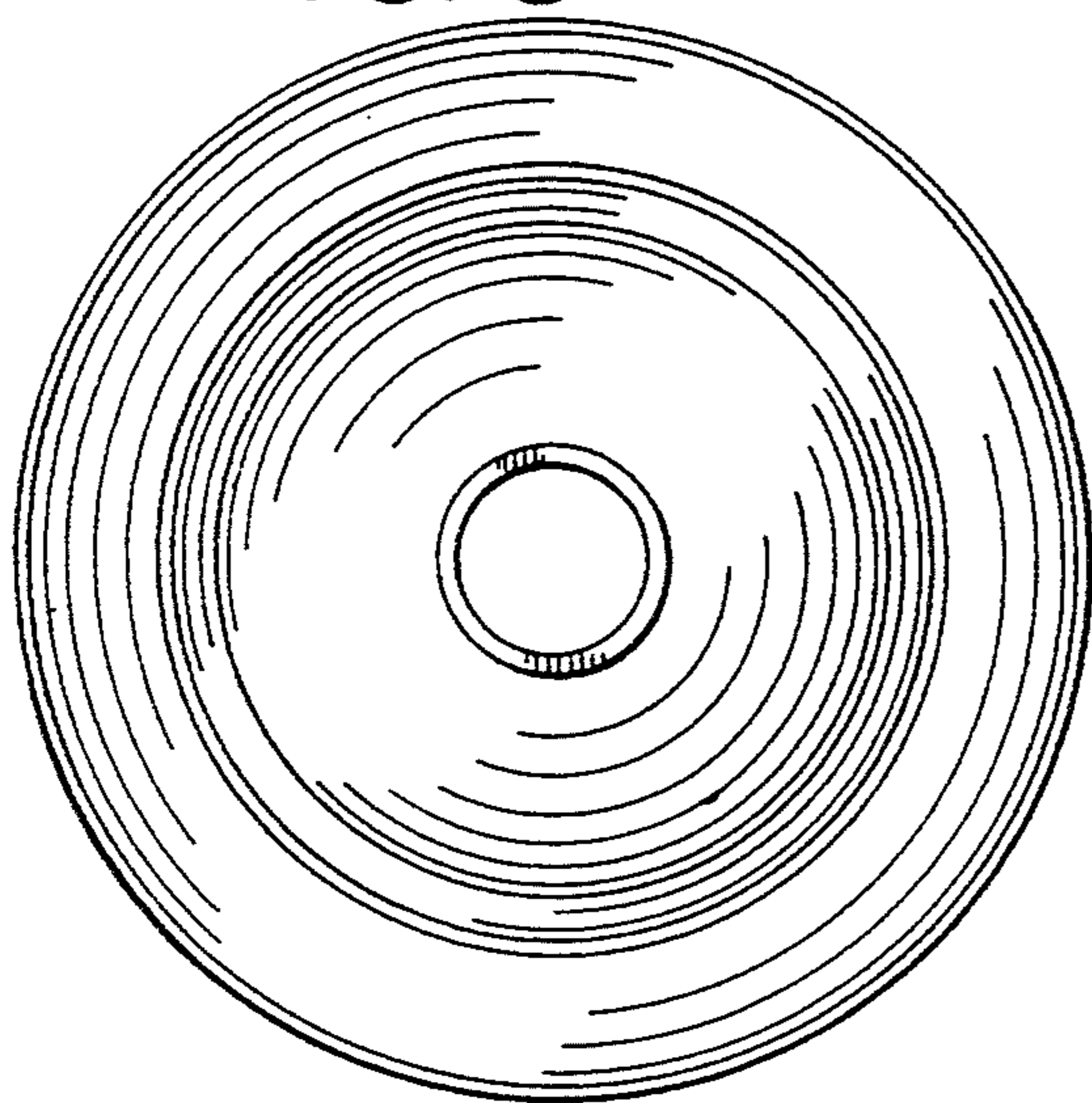


FIG. 4

