



US00D360962S

# United States Patent [19]

Cornell et al.

[11] Patent Number: **Des. 360,962**

[45] Date of Patent: **\*\* Aug. 1, 1995**

## [54] OUTDOOR LIGHT FIXTURE

[75] Inventors: **Edward C. Cornell**, Waukegan, Ill.;  
**Daniel J. DeLay**, Waterford; **Robert D. Giese**, Kenosha, both of Wis.

[73] Assignee: **Intermatic Incorporated**, Spring Grove, Ill.

[\*\*] Term: **14 Years**

[21] Appl. No.: **26,429**

[22] Filed: **Jul. 27, 1994**

[52] U.S. Cl. .... **D26/67; D26/63**

[58] Field of Search ..... **D26/60, 61, 63, 64, D26/65, 67-71; 362/269, 275, 285, 418, 419, 427, 153, 153.1, 431**

### [56] References Cited

#### U.S. PATENT DOCUMENTS

D. 277,511 2/1985 Patel ..... D26/68  
D. 319,891 9/1991 Giese ..... D26/67

D. 333,529 2/1993 Denison et al. .... D26/68  
D. 340,305 10/1993 Hall et al. .... D26/68  
3,265,069 7/1966 Krucki et al. .... 362/431

*Primary Examiner*—Susan J. Lucas  
*Attorney, Agent, or Firm*—William Brinks Hofer Gilson & Lione

### [57] CLAIM

The ornamental design for an outdoor light fixture, as shown and described.

### DESCRIPTION

FIG. 1 is a front perspective view showing the outdoor light fixture of the present invention; the broken line showing of the stake in this and the below figures is for illustrative purposes only;

FIG. 2 is a side view thereof;

FIG. 3 is a front view thereof;

FIG. 4 is a top view thereof;

FIG. 5 is a rear view thereof; and,

FIG. 6 is a bottom view thereof.

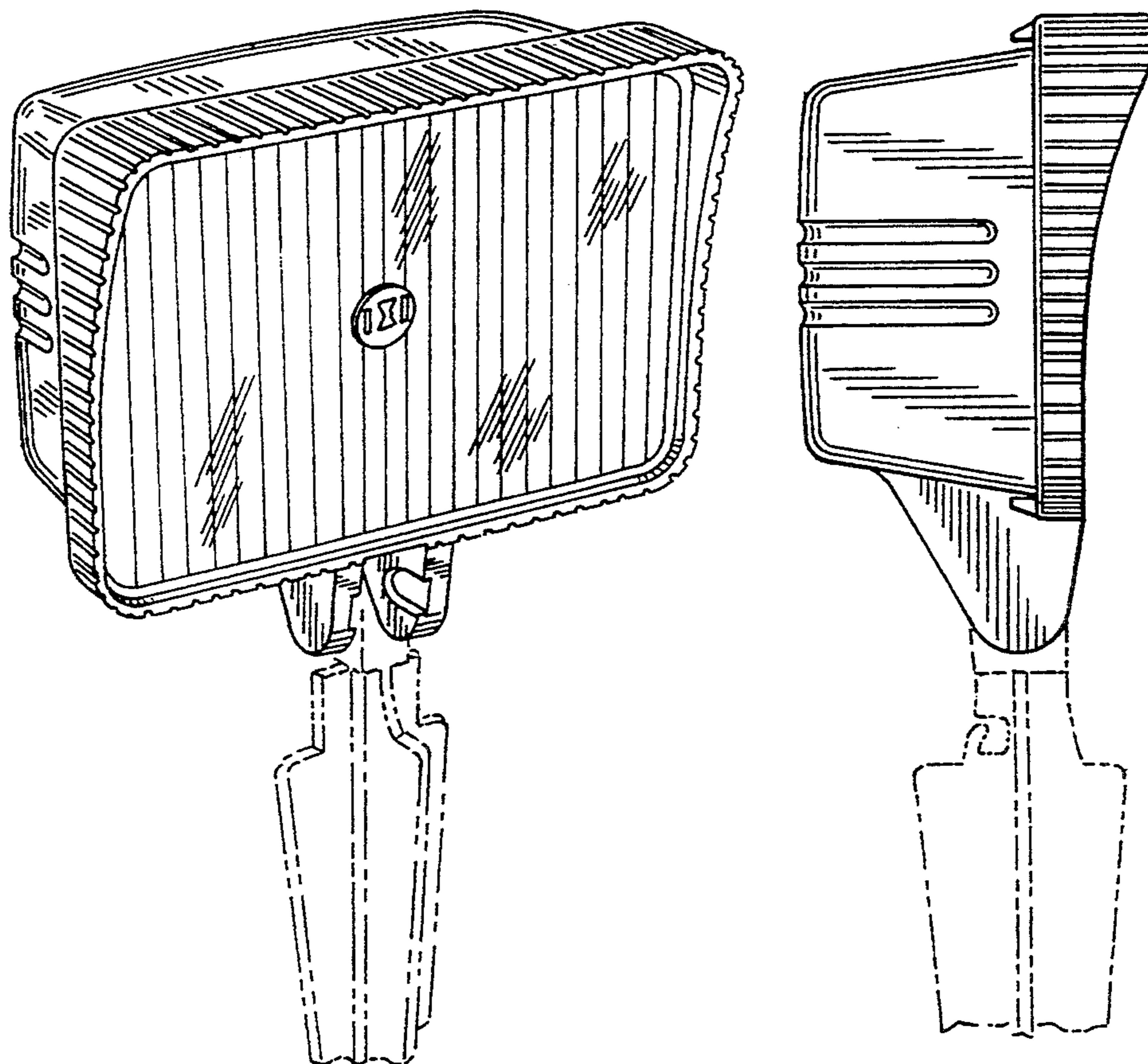


FIG. 1

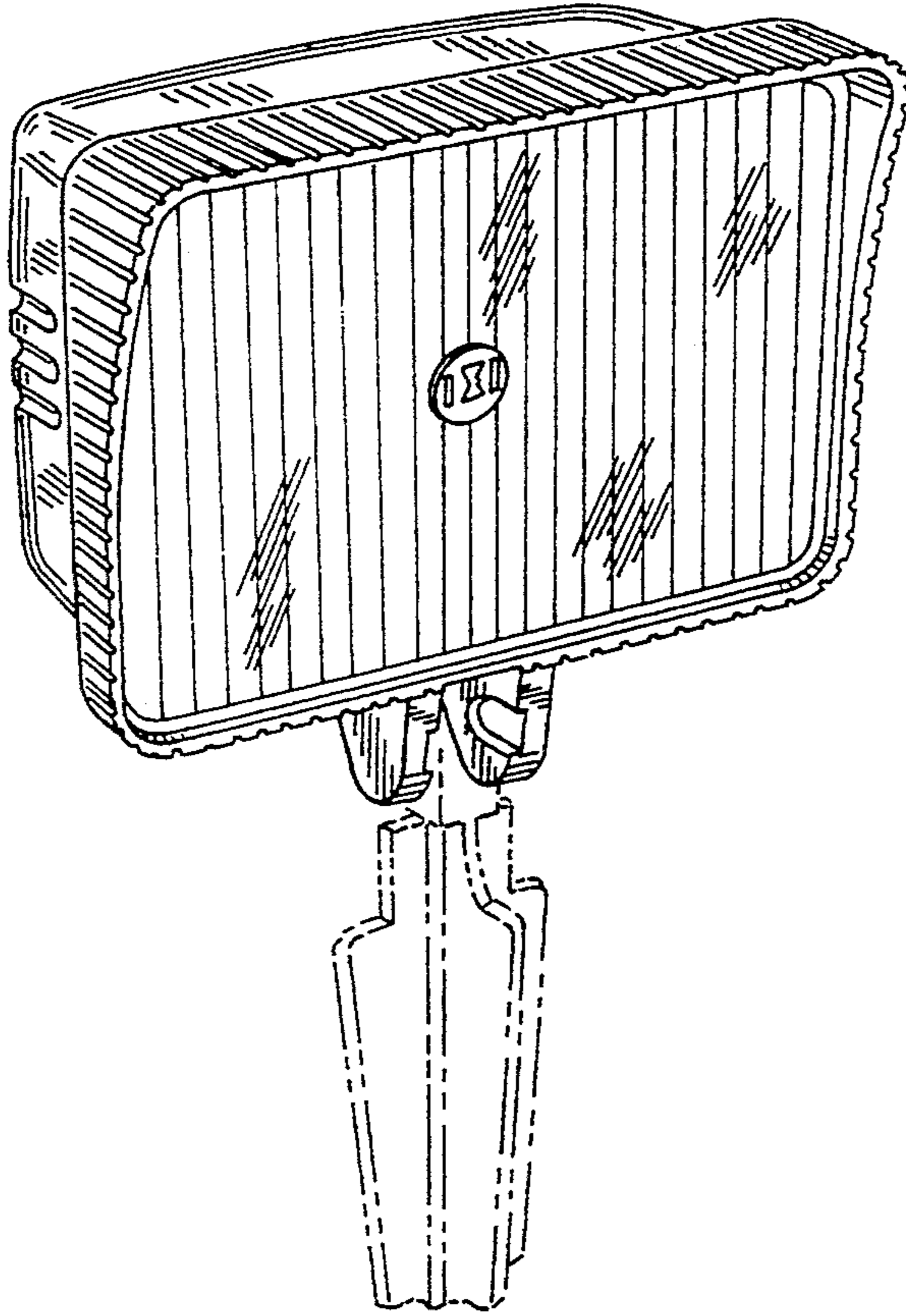


FIG. 2

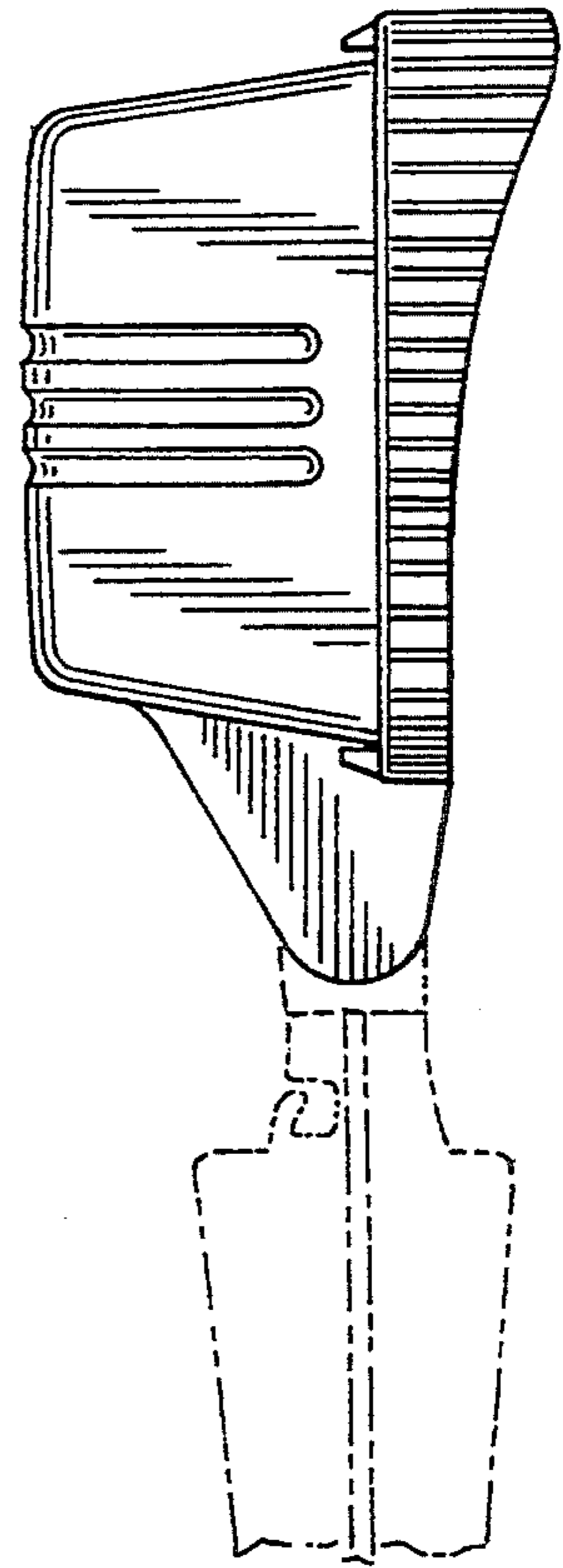


FIG. 3

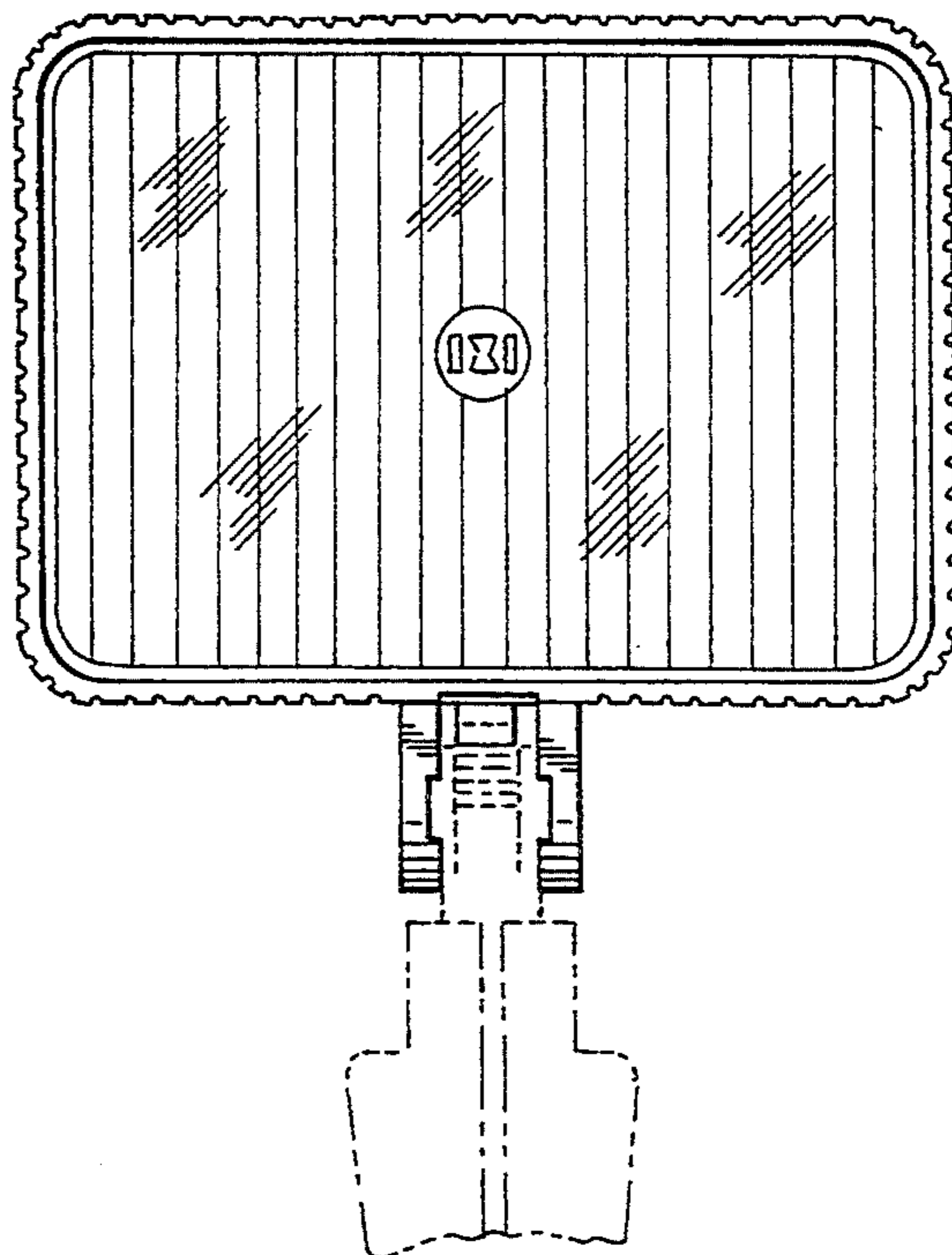


FIG. 4

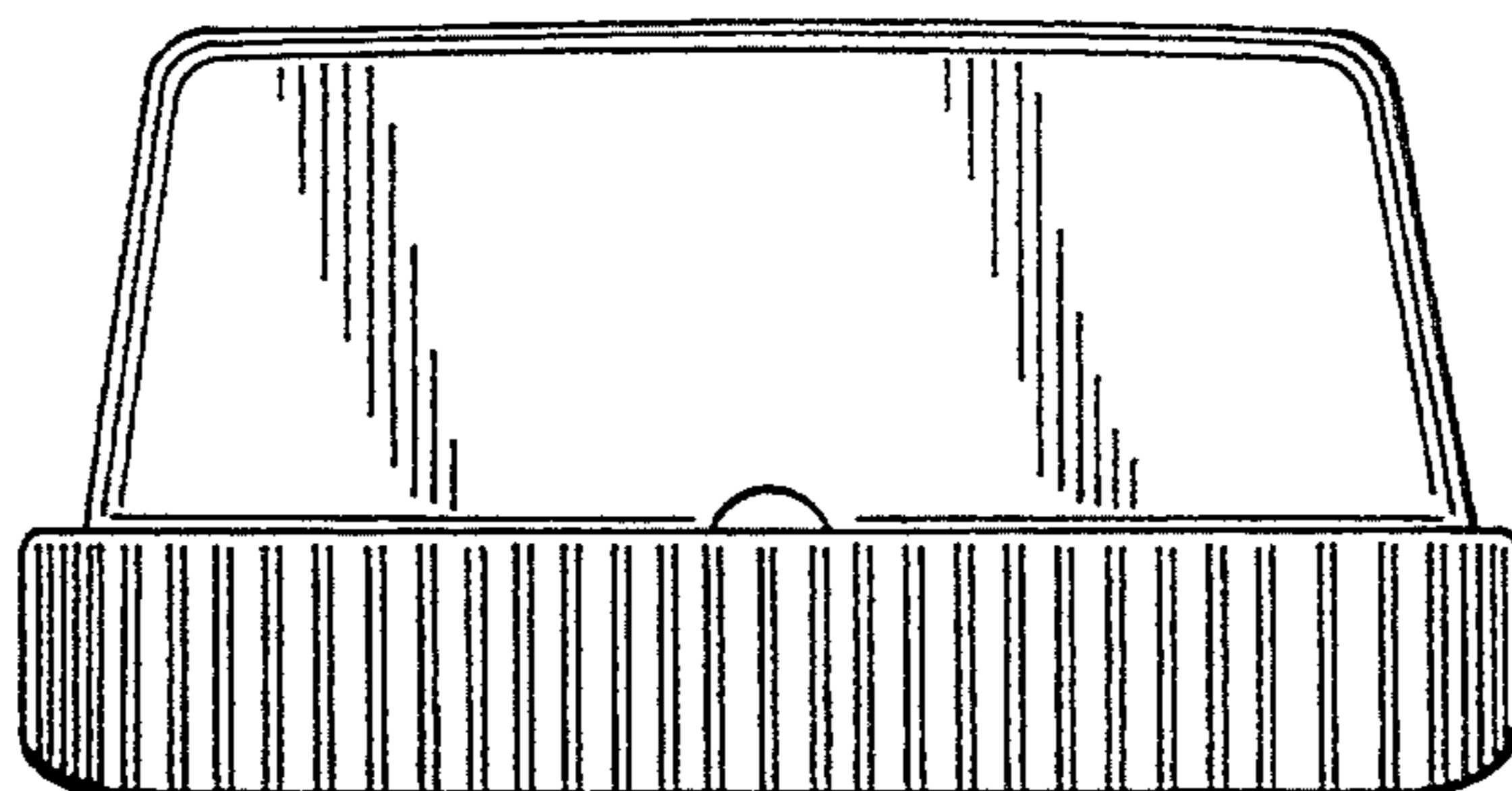


FIG. 5

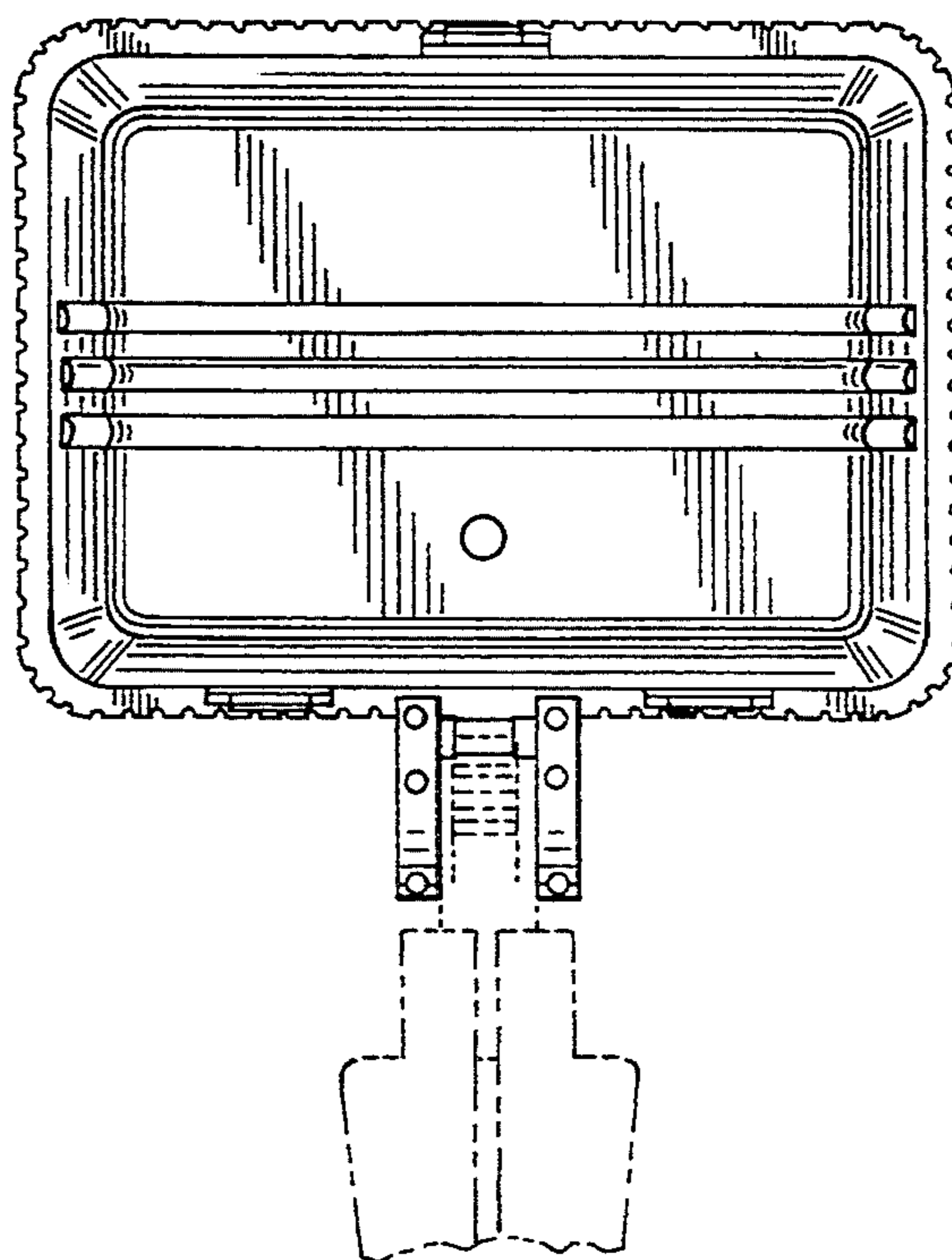


FIG. 6

