



US00D360961S

United States Patent [19]

[11] Patent Number: **Des. 360,961**

Czerlanis et al.

[45] Date of Patent: **** Aug. 1, 1995**

[54] **OUTDOOR LIGHT FIXTURE**

[75] Inventors: **John A. Czerlanis, Solon Mills, Ill.;
Timothy B. Strandell, Racine, Wis.**

[73] Assignee: **Intermatic Incorporated, Spring
Grove, Ill.**

[**] Term: **14 Years**

[21] Appl. No.: **26,385**

[22] Filed: **Jul. 27, 1994**

[52] U.S. Cl. **D26/67; D26/63**

[58] Field of Search **D26/60, 61, 63, 64,
D26/65, 67-71; 362/269, 275, 285, 418, 419,
427, 153, 153.1, 431**

[56] **References Cited**

U.S. PATENT DOCUMENTS

D. 277,511 2/1985 Patel D26/28
D. 319,891 9/1991 Giese D26/67

D. 333,529 2/1993 Denison et al. D26/68
D. 340,305 10/1993 Hall et al. D26/68
3,263,069 7/1966 Krucki et al. 362/431

Primary Examiner—Susan J. Lucas

Attorney, Agent, or Firm—William Brinks Hofer Gilson
& Lione

[57] **CLAIM**

The ornamental design for an outdoor light fixture, as
shown and described.

DESCRIPTION

FIG. 1 is a front perspective view showing the outdoor
light fixture of the present invention; the broken line
showing of the stake in this and the below figures is for
illustrative purposes only;

FIG. 2 is a side view thereof;

FIG. 3 is a front view thereof;

FIG. 4 is a top view thereof;

FIG. 5 is a rear view thereof; and,

FIG. 6 is a bottom view thereof.

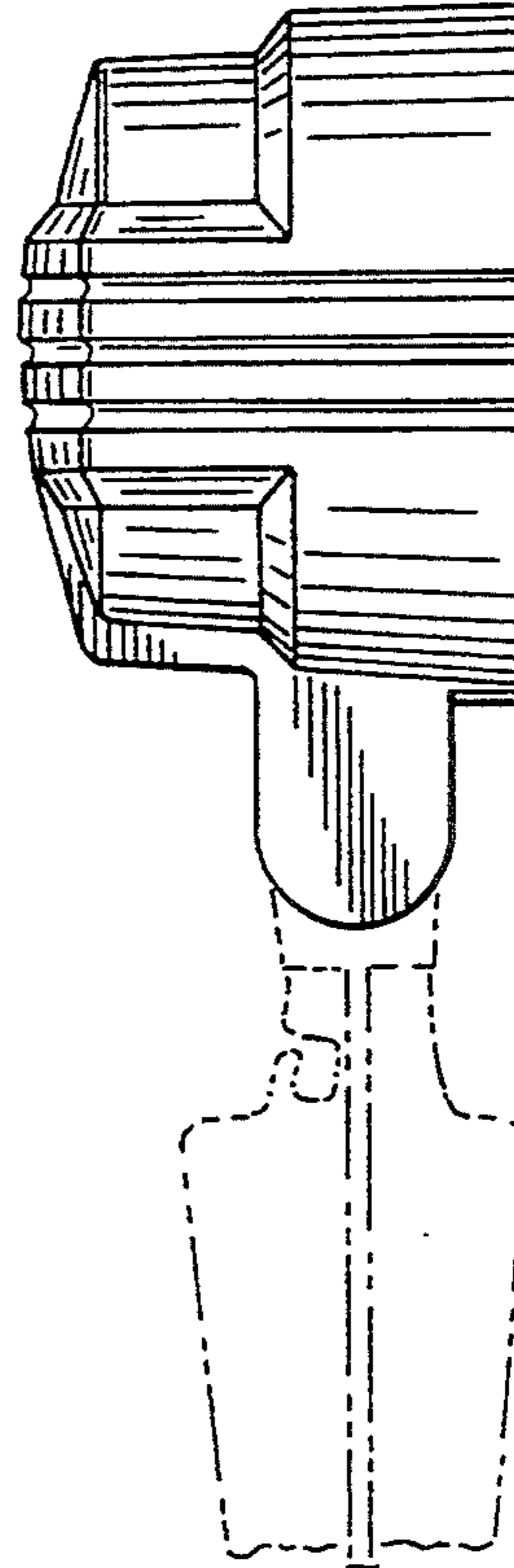
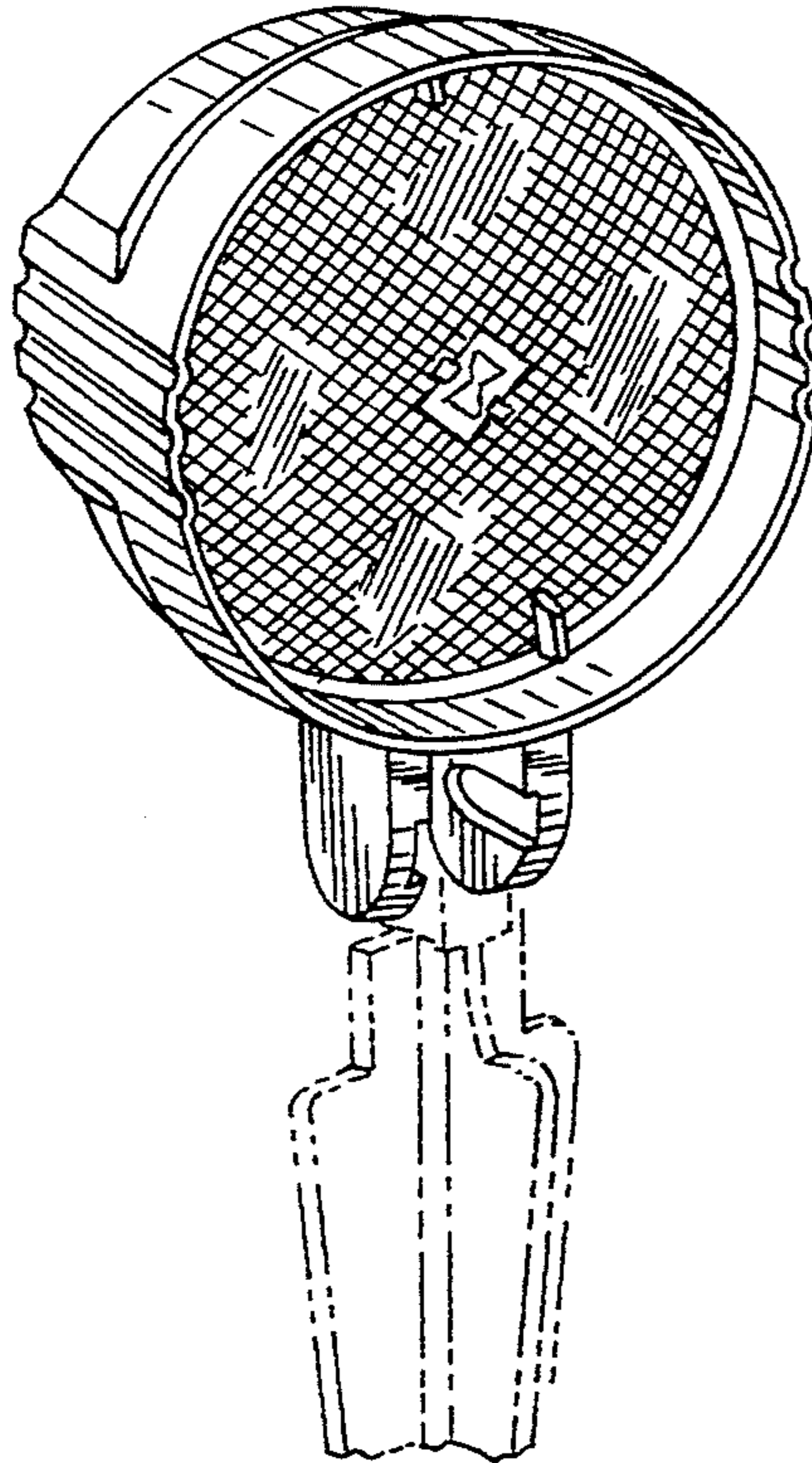


FIG. 1

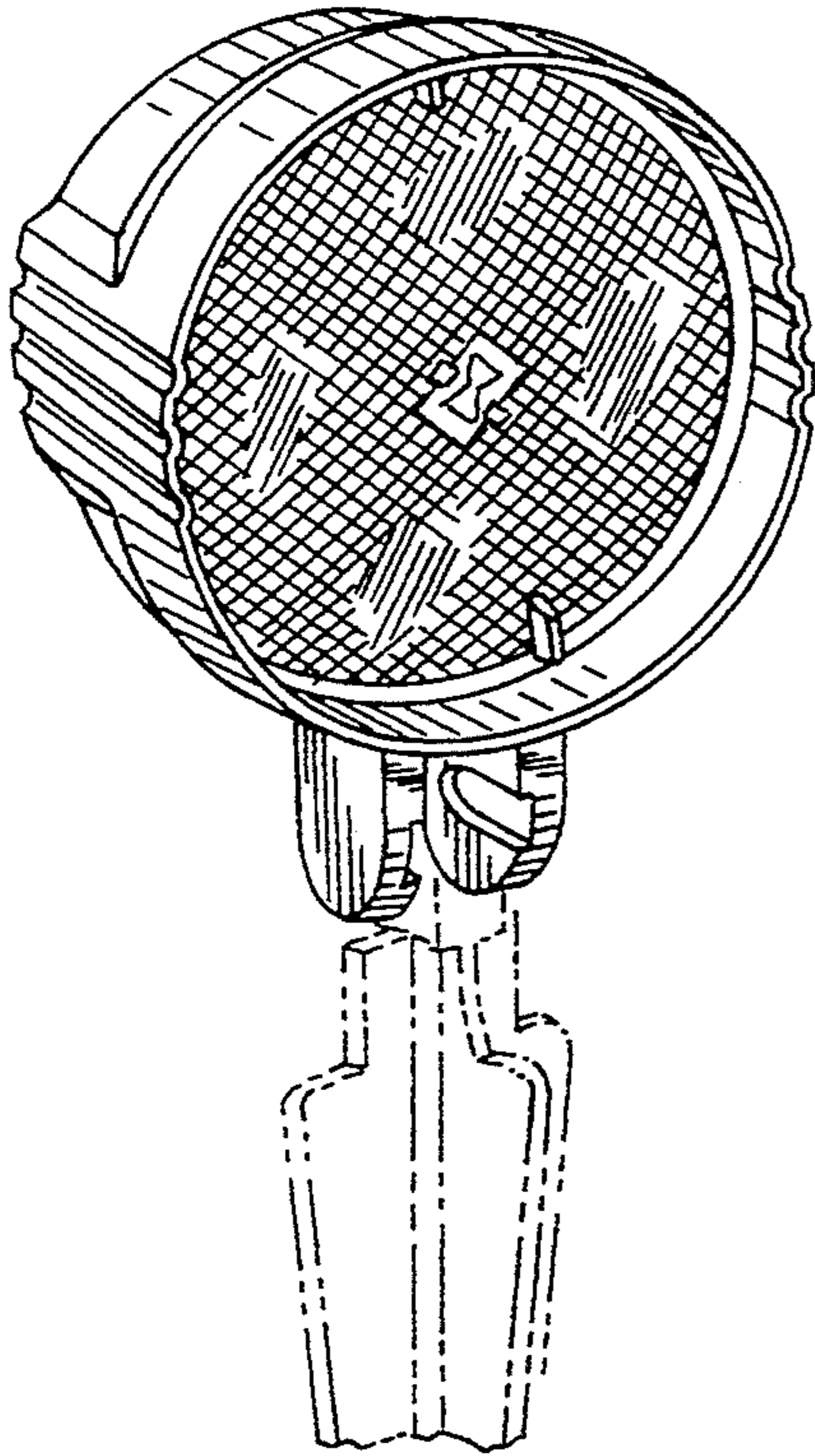


FIG. 2

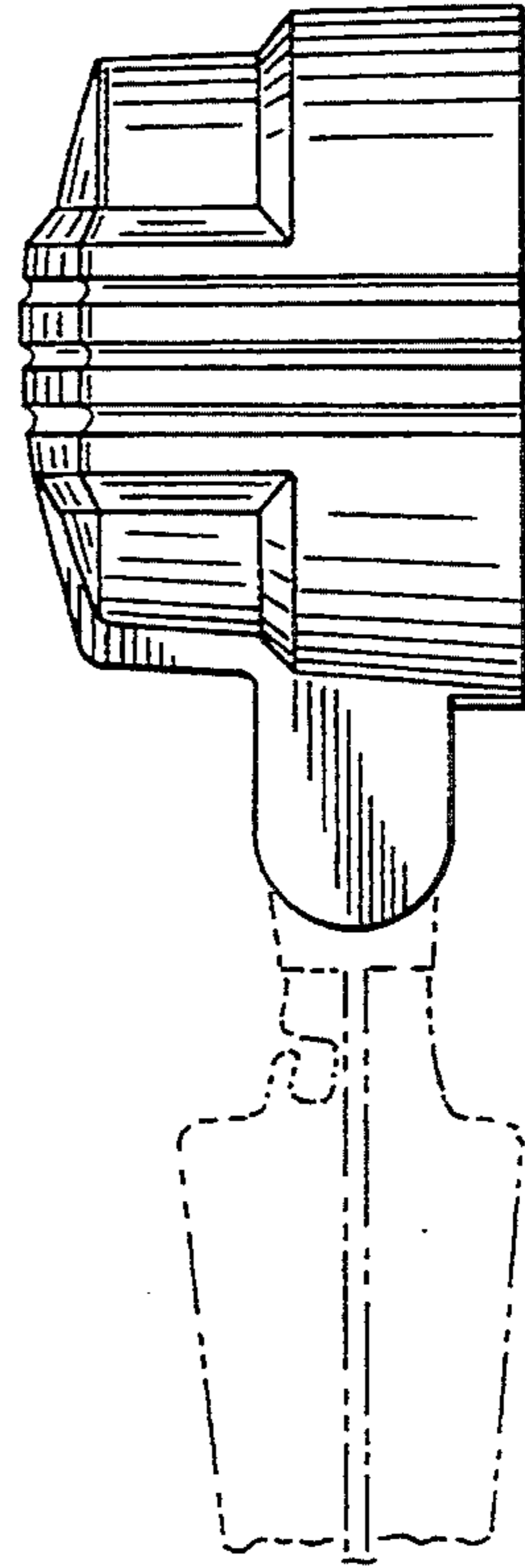


FIG. 3

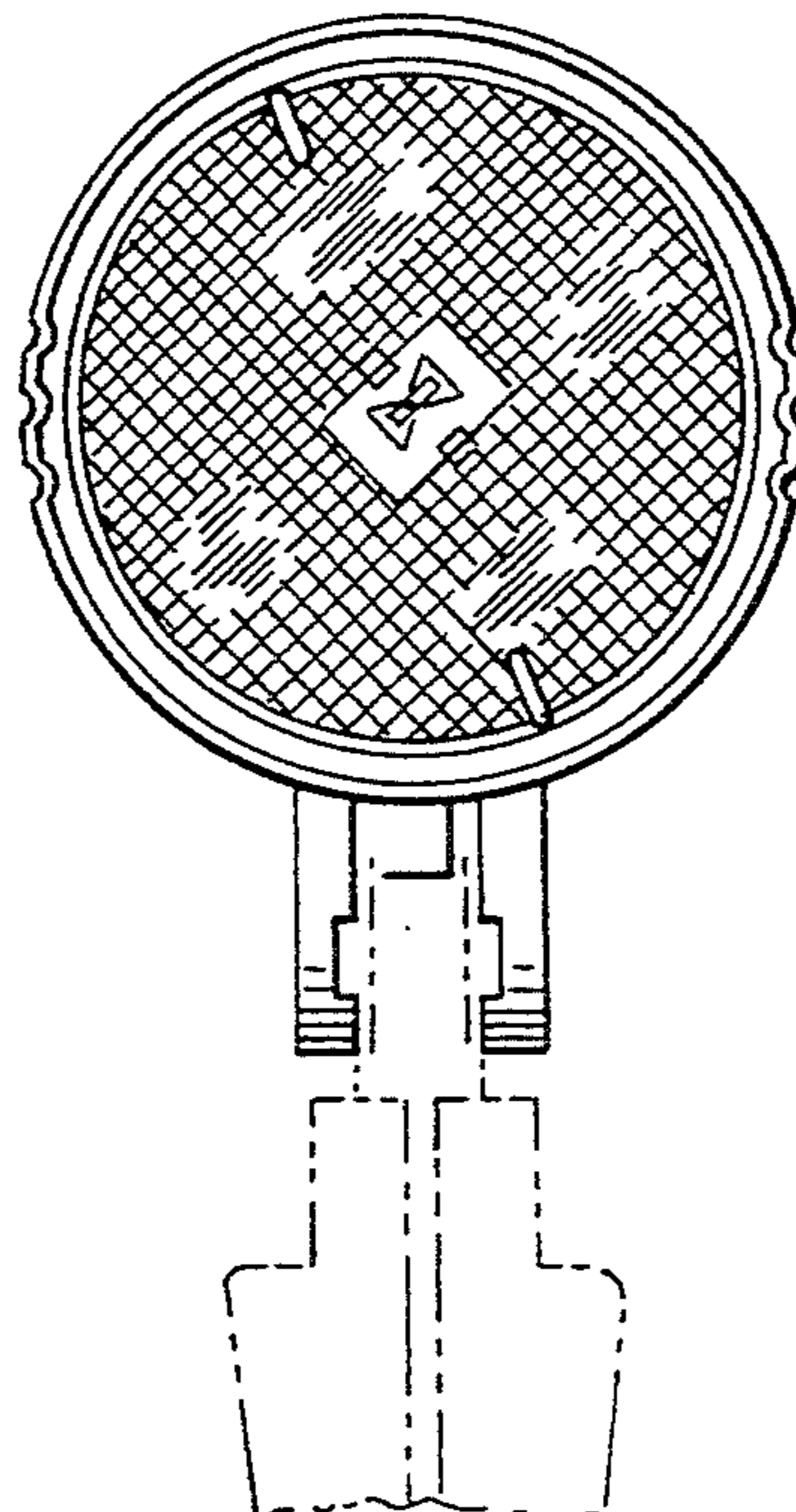


FIG. 4

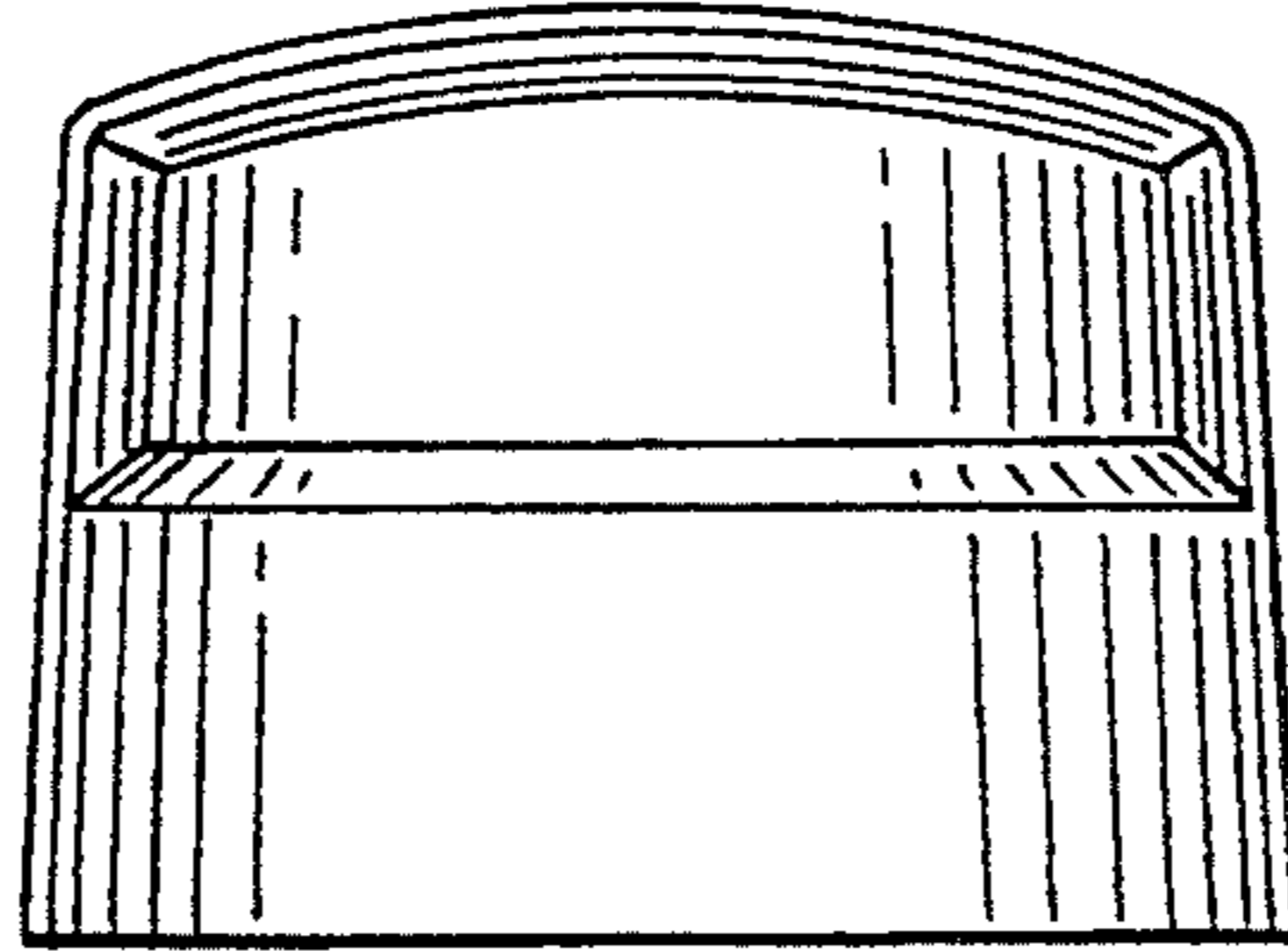


FIG. 5

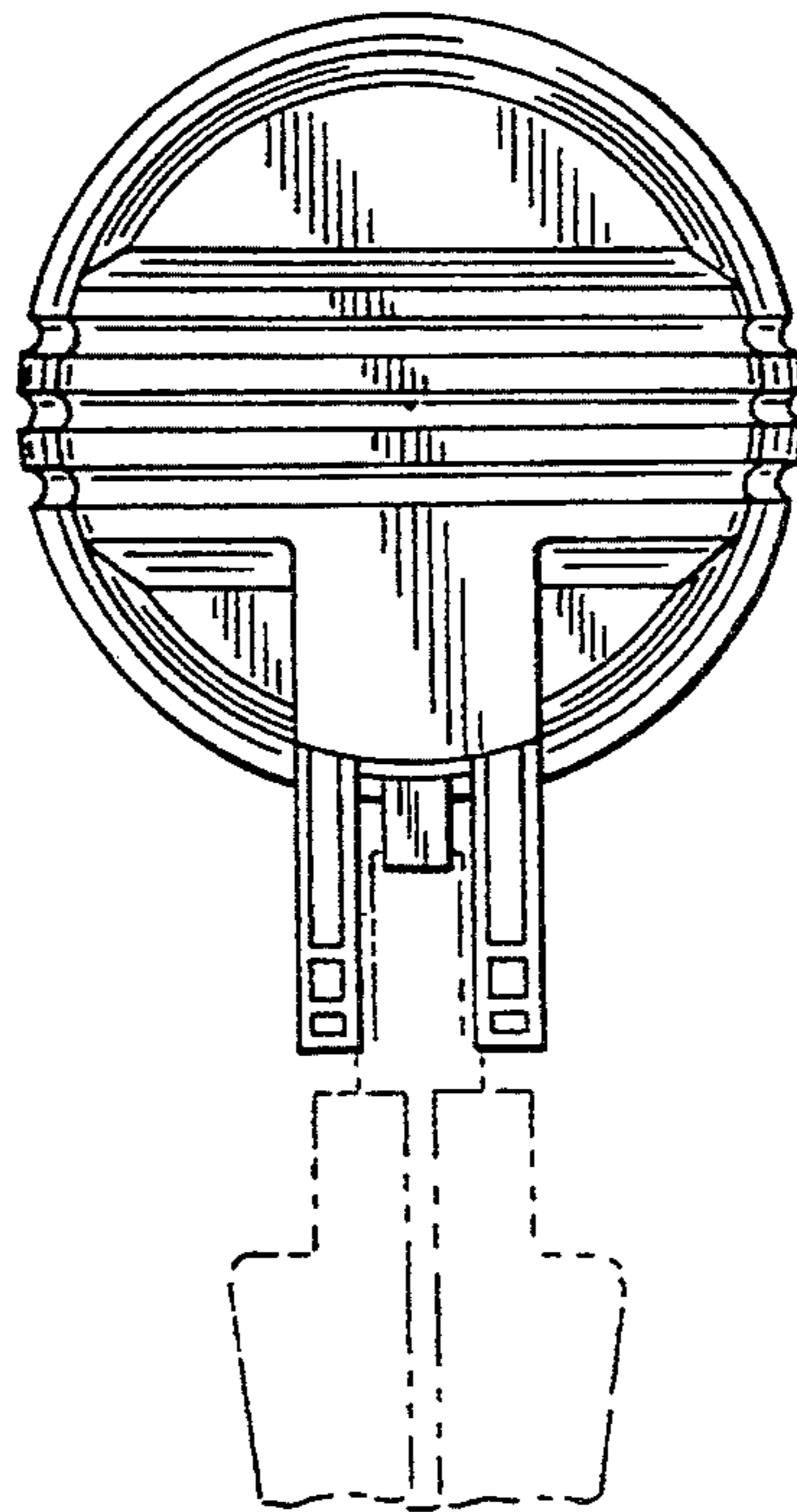


FIG. 6

