



US00D360959S

United States Patent [19]

[11] Patent Number: **Des. 360,959**

Donato et al.

[45] Date of Patent: **** Aug. 1, 1995**

[54] TRACK LIGHT

[56] References Cited
PUBLICATIONS

[75] Inventors: **Anthony Donato**, Westfield, N.J.;
Alejandro Mier-Langner, New York,
N.Y.

Home Lighting & Accessories, Sep. 1992, p. 122, Capri
Lighting Track Light.

Primary Examiner—Susan J. Lucas
Attorney, Agent, or Firm—Hopgood, Calimafde, Kalil &
Judlowe

[73] Assignee: **Lightolier Divison of the Genlyte
Group Incorporated**, Secaucus, N.J.

[57] CLAIM

The ornamental design for the track light, as shown and
described.

[**] Term: **14 Years**

DESCRIPTION

[21] Appl. No.: **17,206**

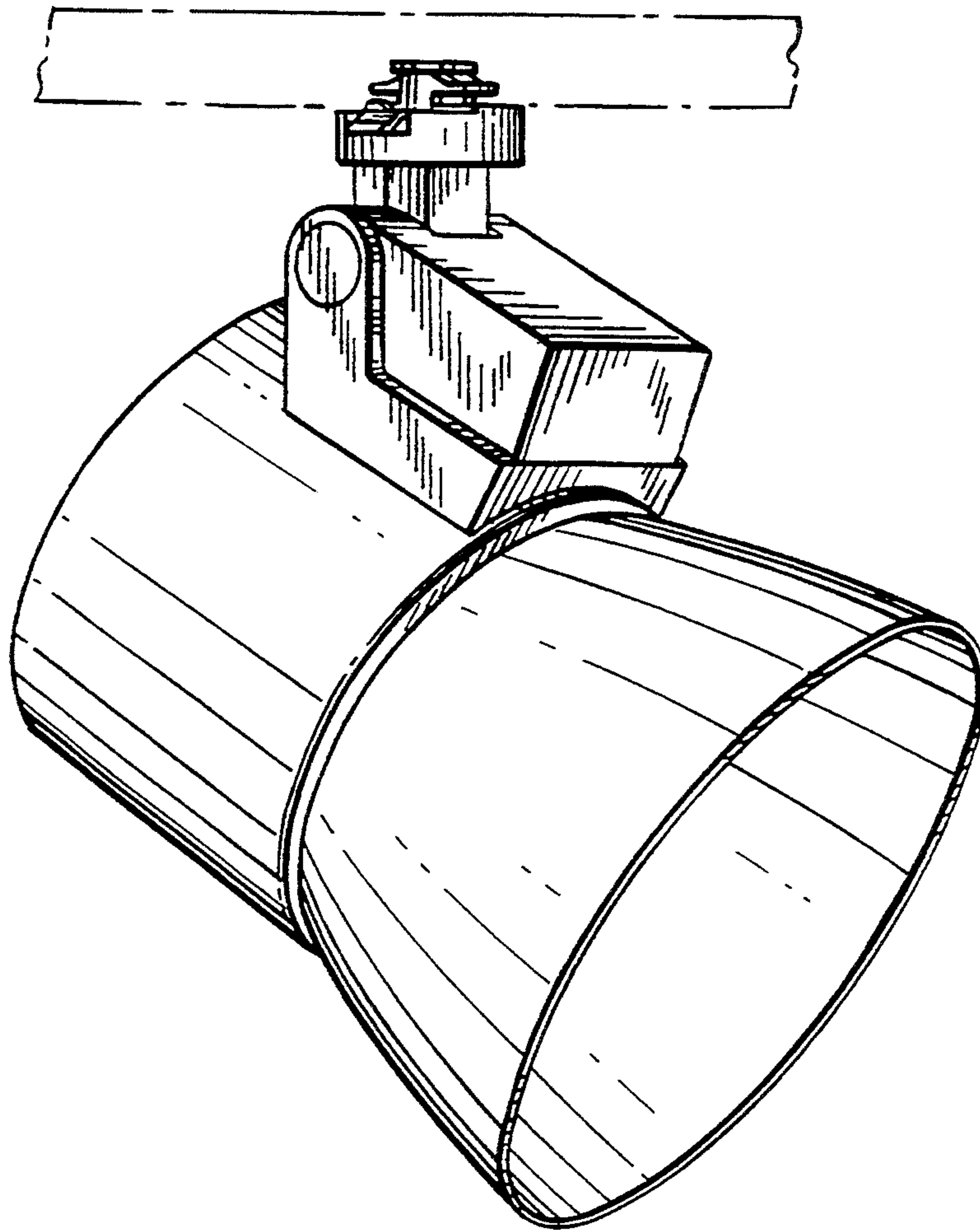
FIG. 1 is a perspective view of the track light;
FIG. 2 is a top view of the track light;
FIG. 3 is a first side view of the track light;
FIG. 4 is a front view of the track light;
FIG. 5 is a second side view of the track light;
FIG. 6 is a rear view of the track light; and,
FIG. 7 is a bottom view of the track light.

[22] Filed: **Jan. 7, 1994**

[52] U.S. Cl. **D26/63**

[58] Field of Search D26/60, 61, 63, 64,
D26/65, 66; 362/269, 271, 272, 275, 418, 419,
427, 404

The track is shown in broken lines in FIG. 1 for illustra-
tive purposes only and forms no part of the claimed
design.



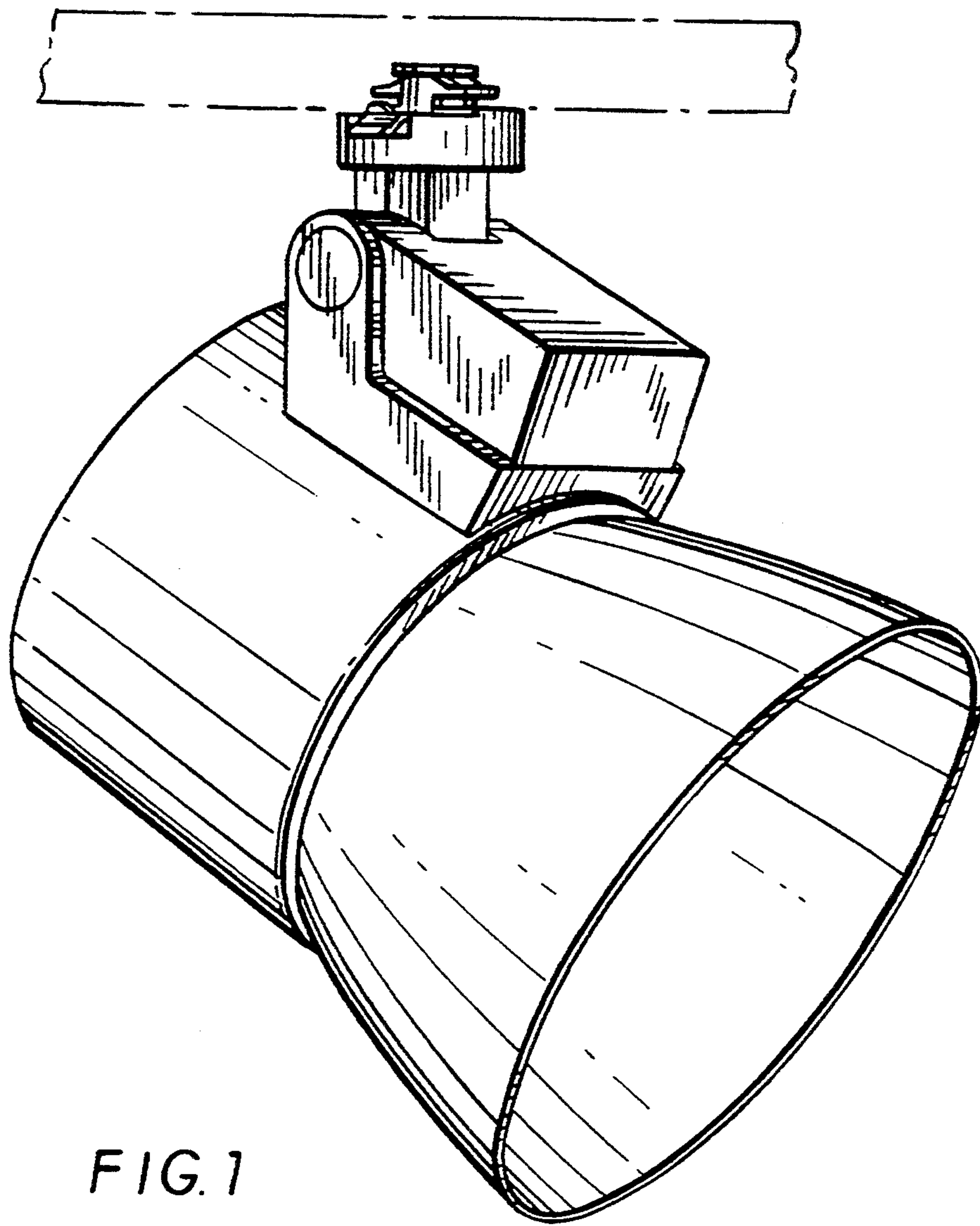


FIG. 1

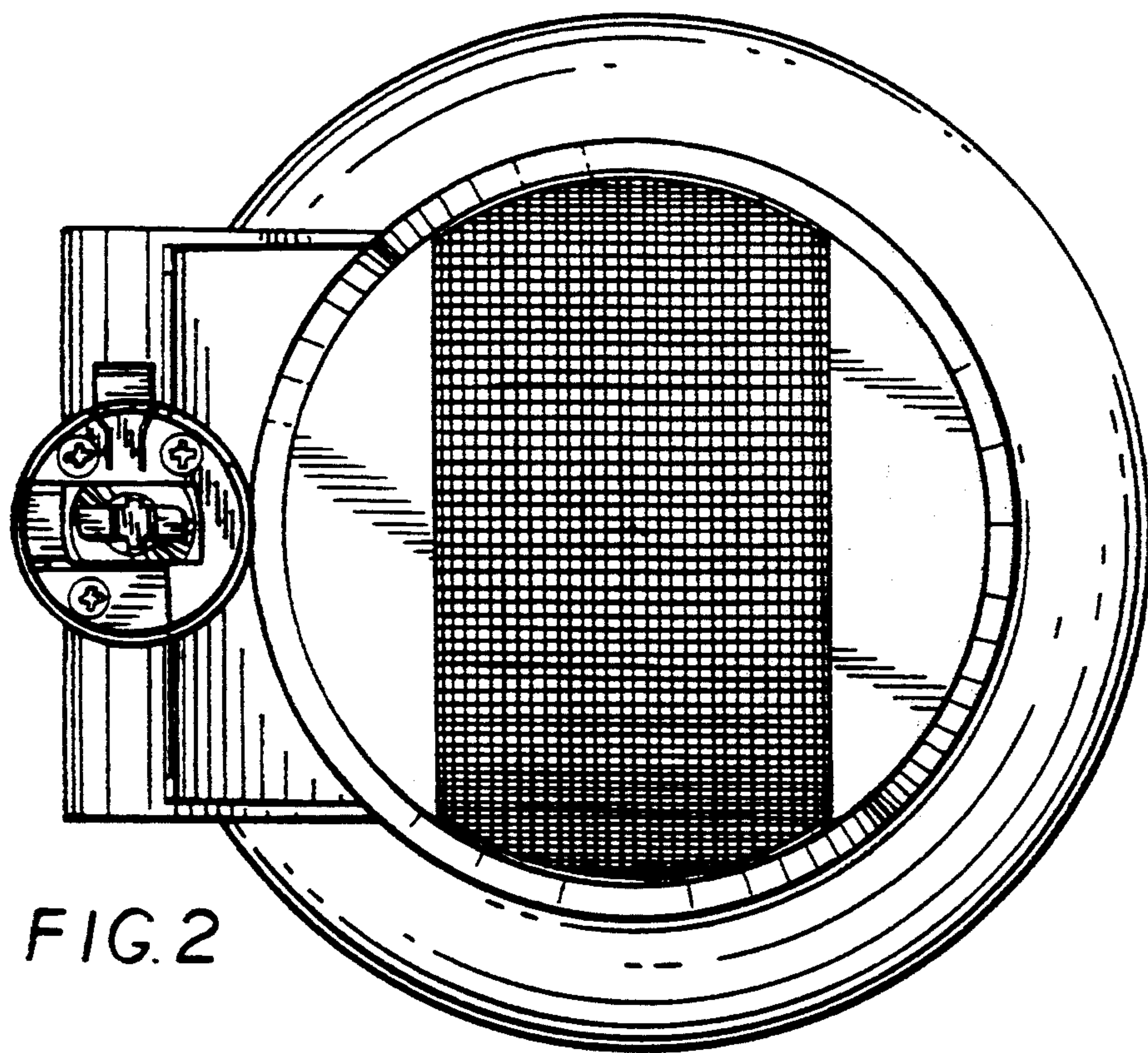


FIG. 2

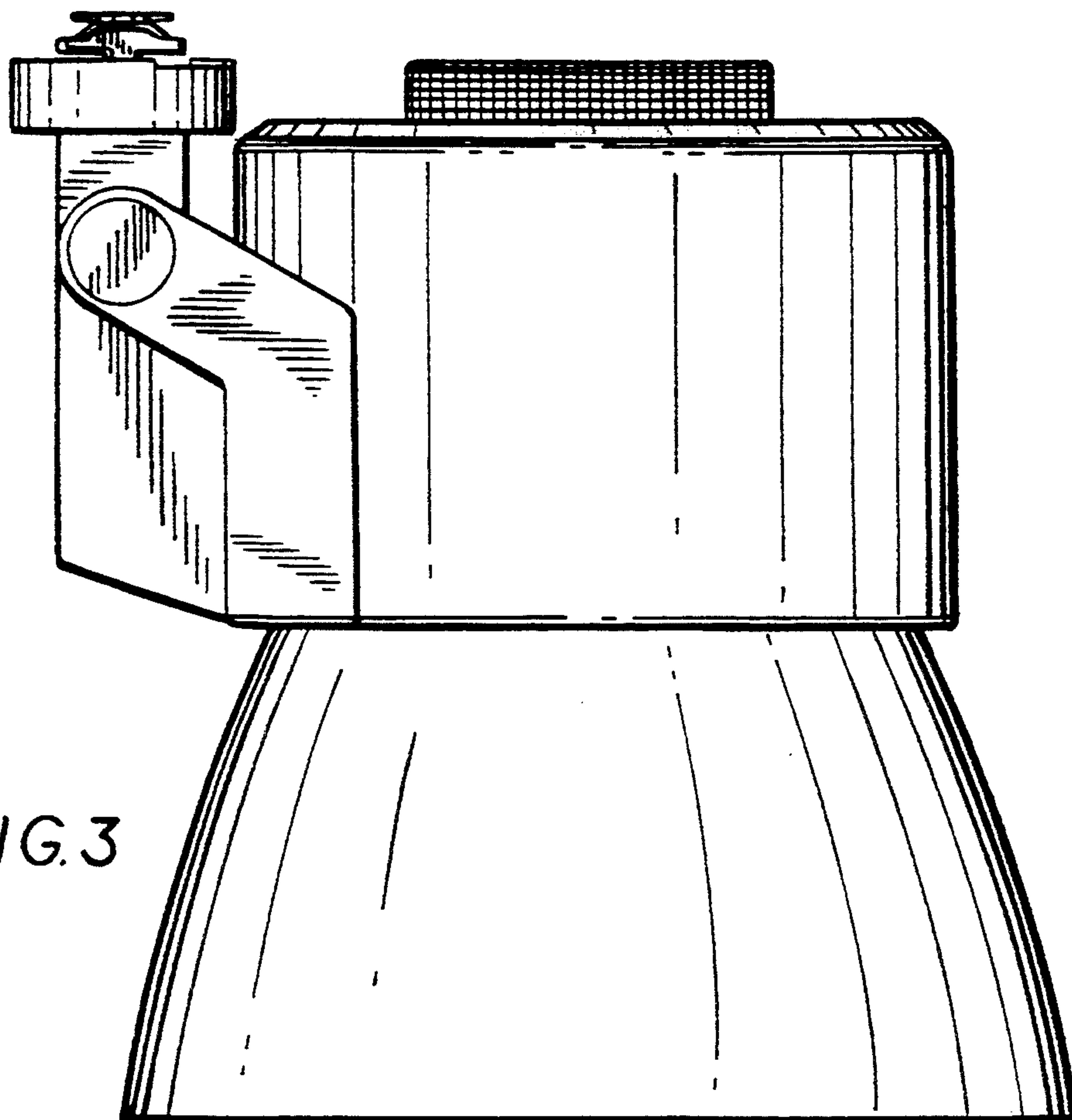


FIG. 3

FIG. 4

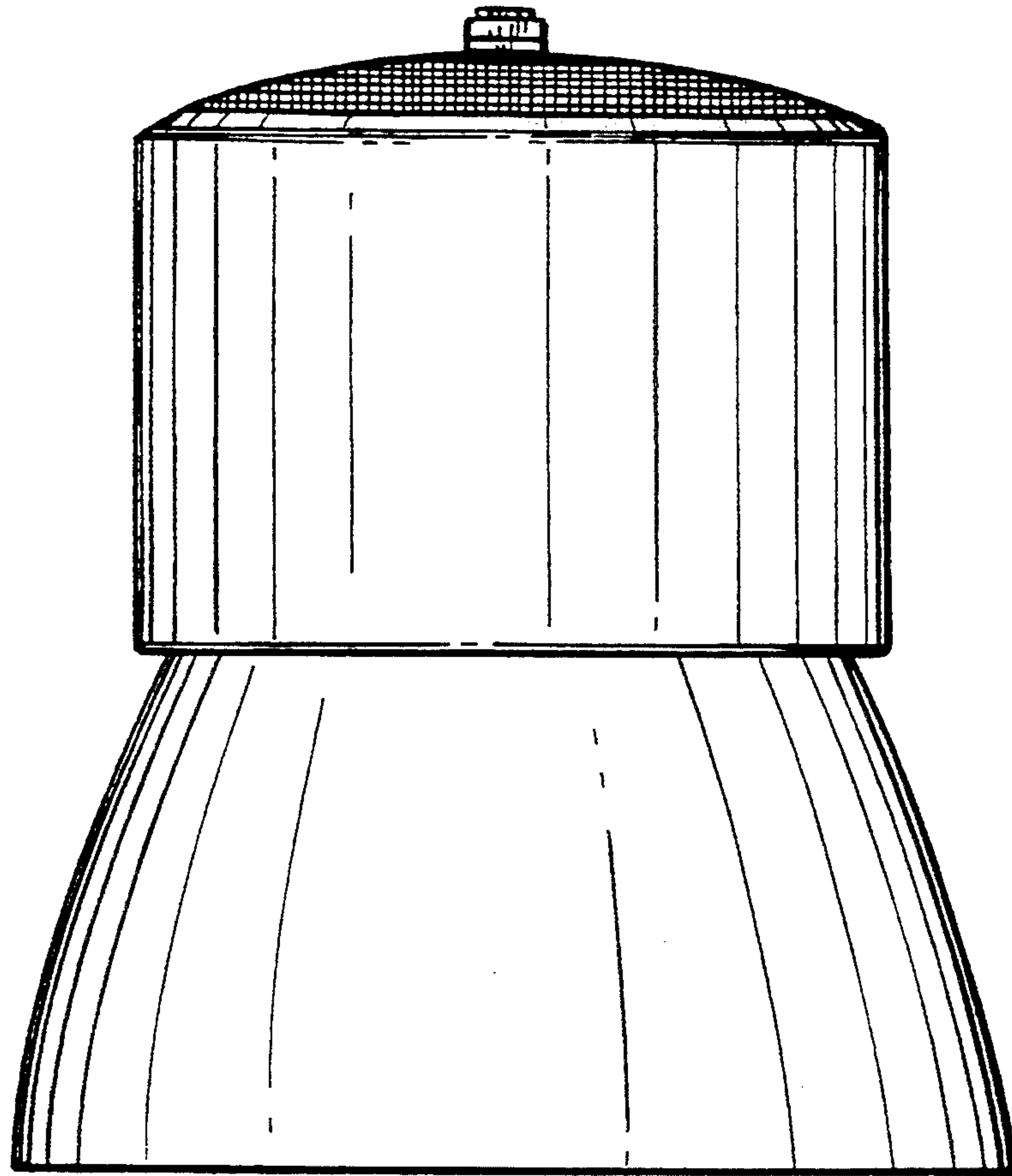


FIG. 5

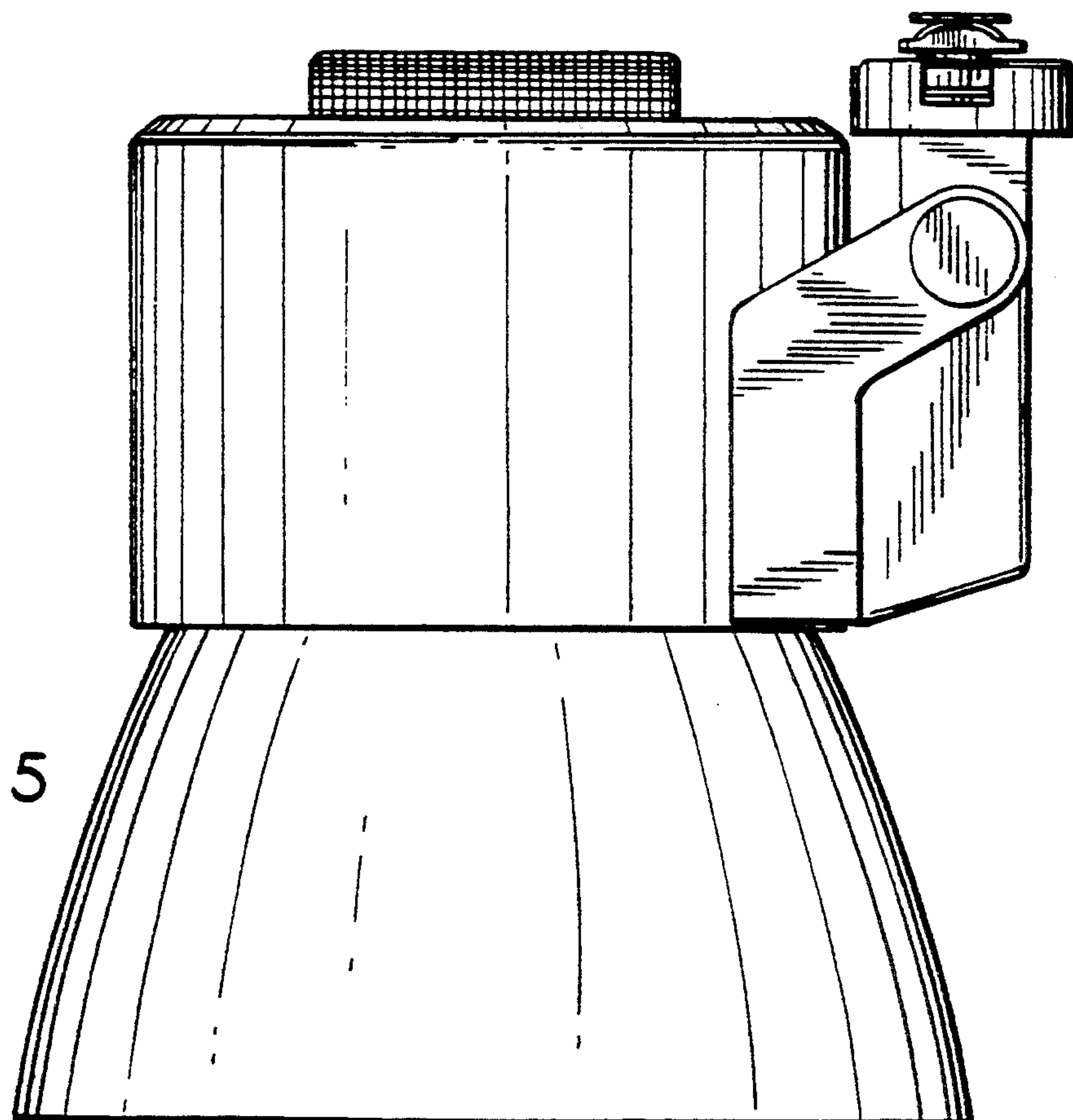


FIG. 6

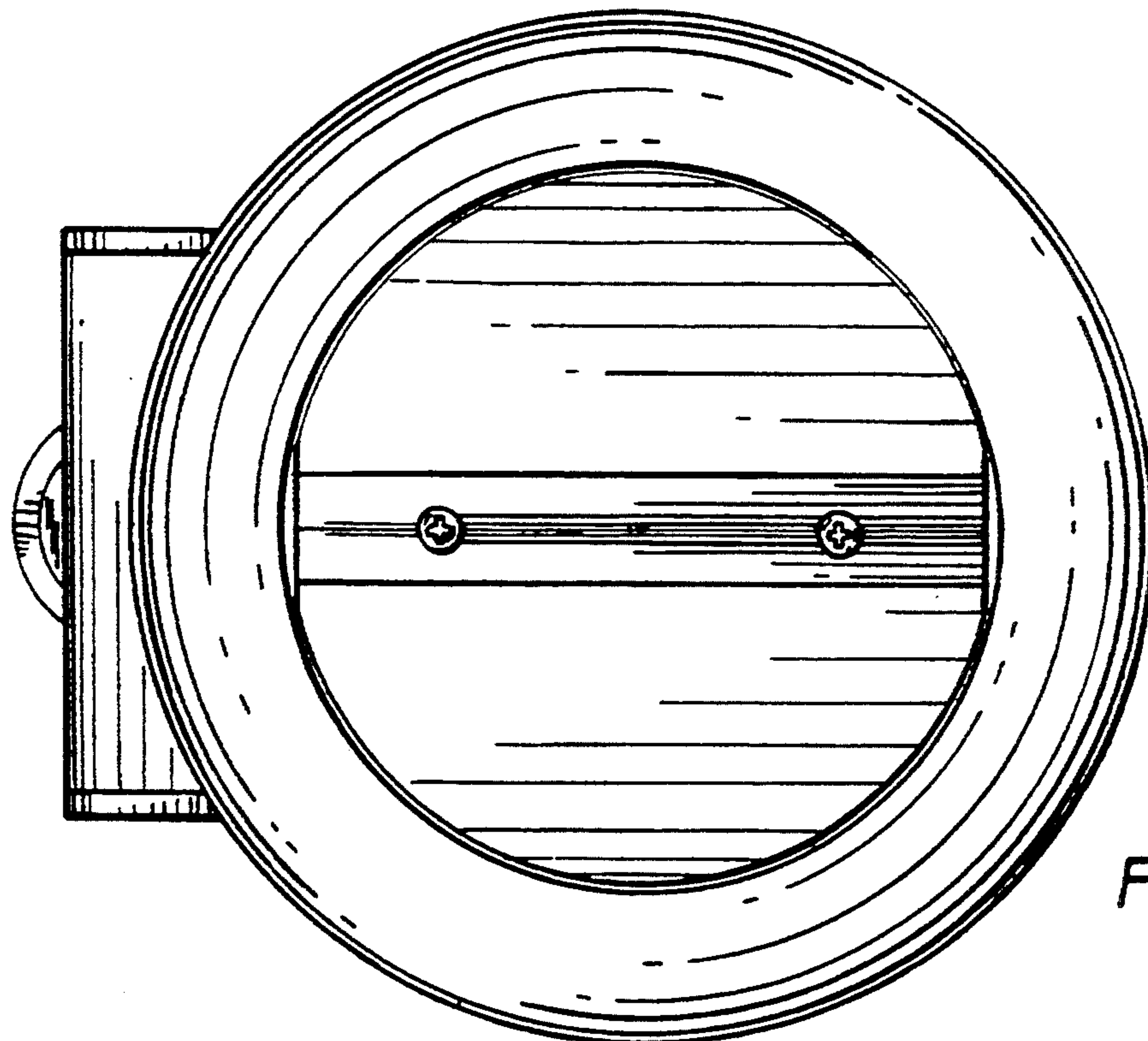
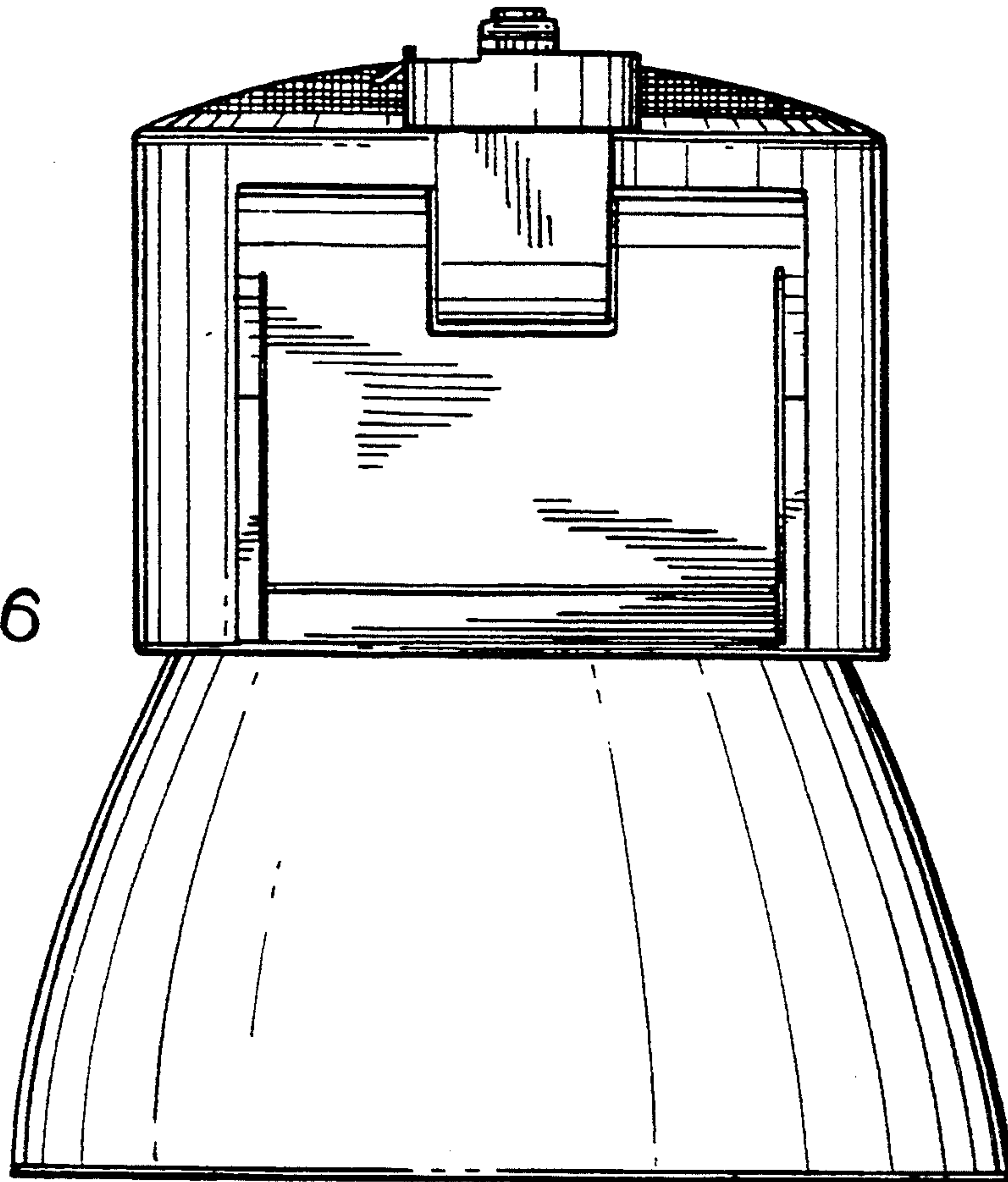


FIG. 7