



US00D360957S

# United States Patent [19]

[11] Patent Number: **Des. 360,957**

Lerner

[45] Date of Patent: **\*\* Aug. 1, 1995**

[54] ILLUMINABLE LIGHT TUBE FOR BICYCLES

4,860,177 8/1989 Simms ..... D26/28

[75] Inventor: **Jerry Lerner**, 436 Conkey St., Hammond, Ind. 46324

*Primary Examiner*—A. Hugo Word  
*Assistant Examiner*—Marcus Jackson  
*Attorney, Agent, or Firm*—Hill, Steadman & Simpson

[73] Assignee: **Jerry Lerner**, Hammond, Ind.

[57] **CLAIM**

[\*\*] Term: **14 Years**

The ornamental design for an illuminable light tube for bicycles, as shown and described.

[21] Appl. No.: **12,621**

**DESCRIPTION**

[22] Filed: **Jul. 16, 1993**

[52] U.S. Cl. .... **D26/28**

[58] Field of Search ..... D26/24, 26, 28, 37-50; 362/157, 158, 183-202, 205, 206, 74, 72

FIG. 1 is a reduced perspective view of an illuminable light tube for bicycles showing my new design, with the broken line showing for illustrative purposes only and forming no part of the claimed design;

FIG. 2 is a top plan view thereof;

FIG. 3 is a right side elevational view thereof;

FIG. 4 is a front elevational view thereof;

FIG. 5 is a rear elevational view thereof;

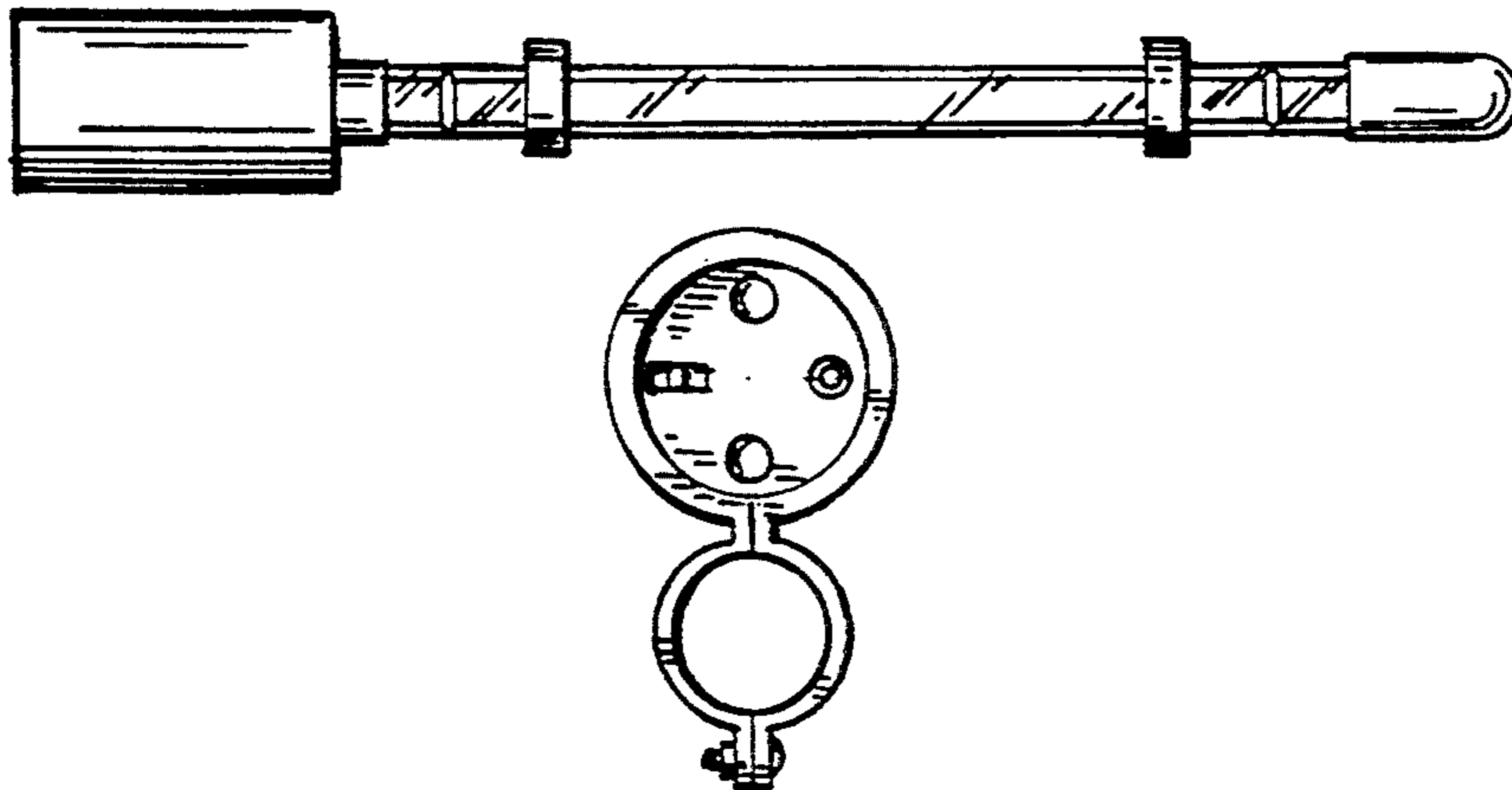
FIG. 6 is a left side elevational view thereof; and,

FIG. 7 is a bottom plan view thereof.

[56] **References Cited**

**U.S. PATENT DOCUMENTS**

- D. 314,440 2/1991 Monier et al. .... D26/28
- D. 344,148 2/1994 Yuen ..... D26/28
- D. 346,670 5/1994 Ueda ..... D26/28



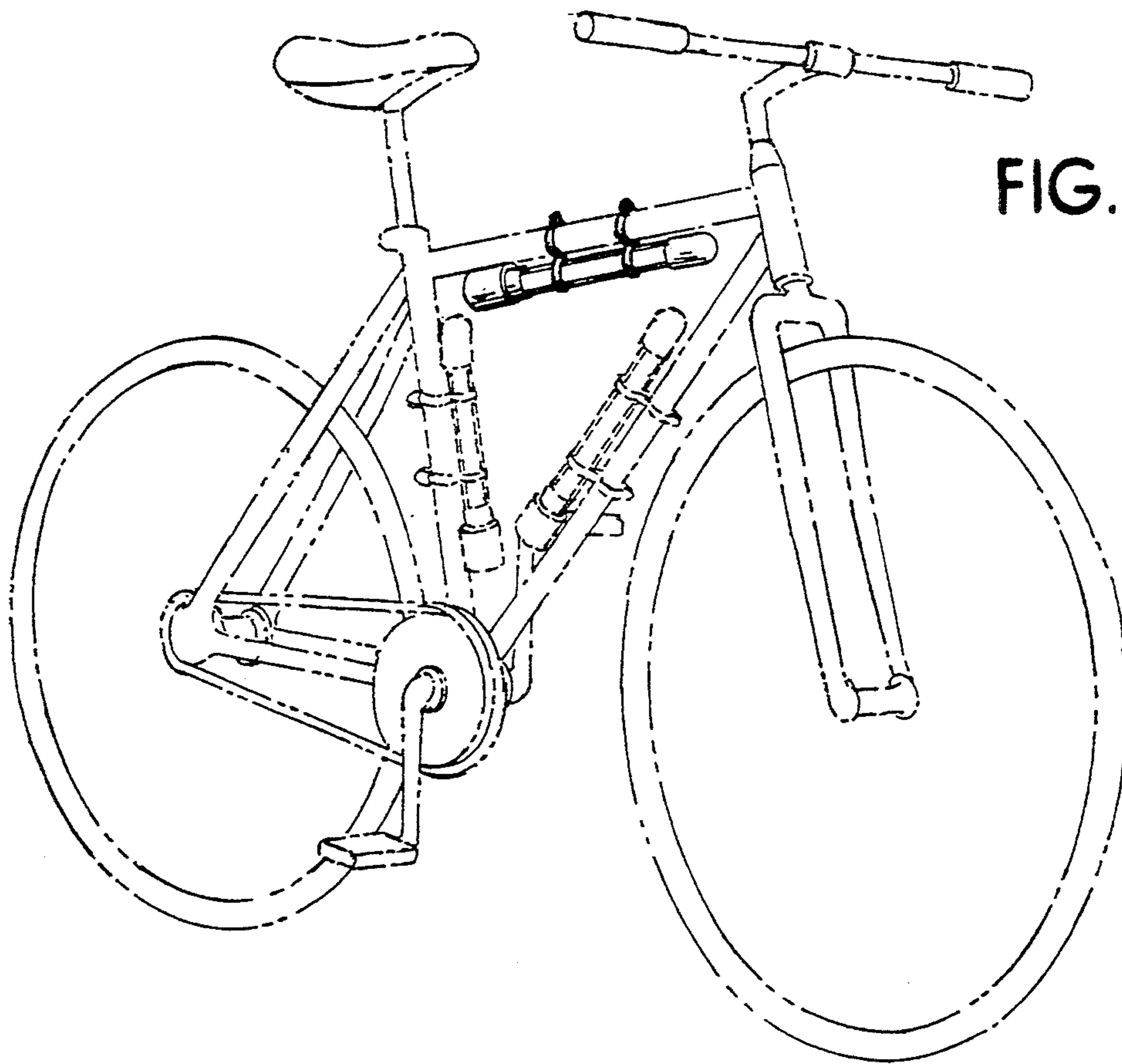


FIG. 1

FIG. 2



FIG. 4

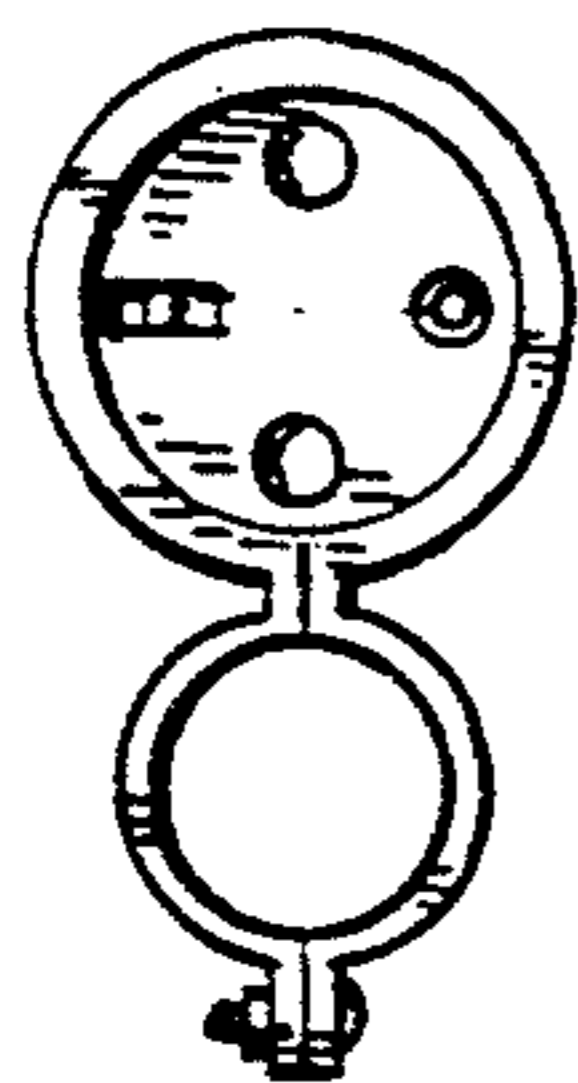


FIG. 3

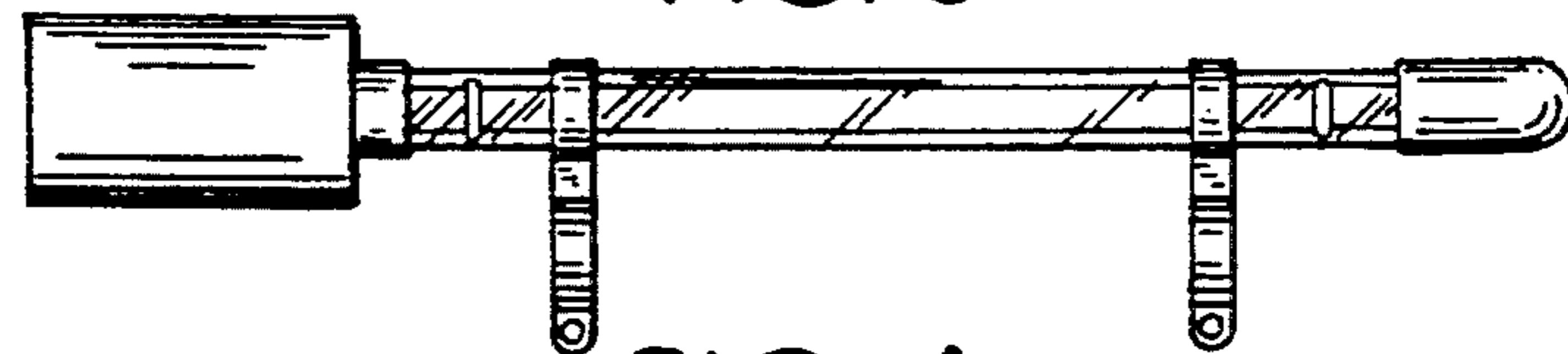


FIG. 5

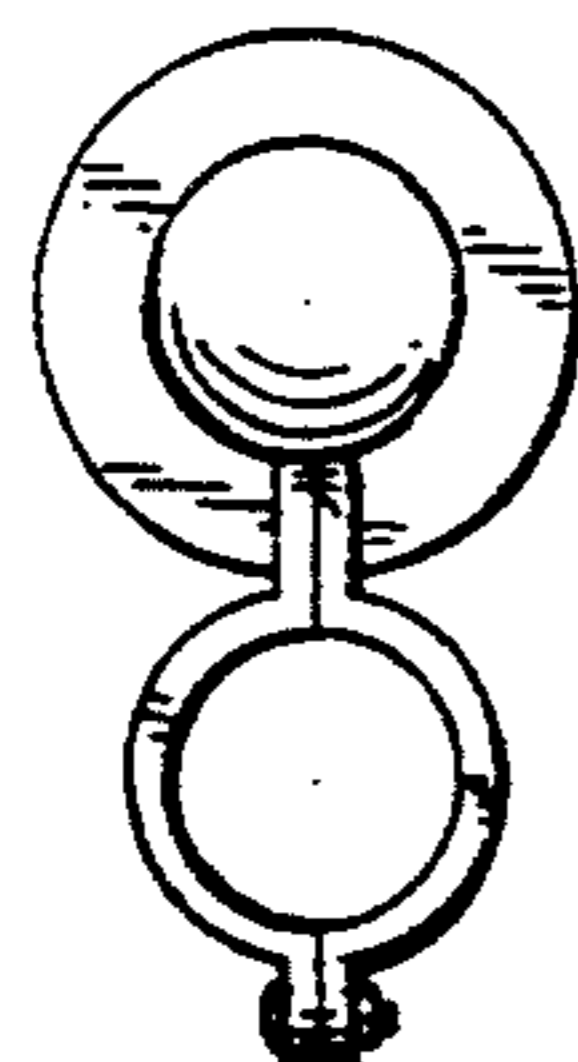


FIG. 6

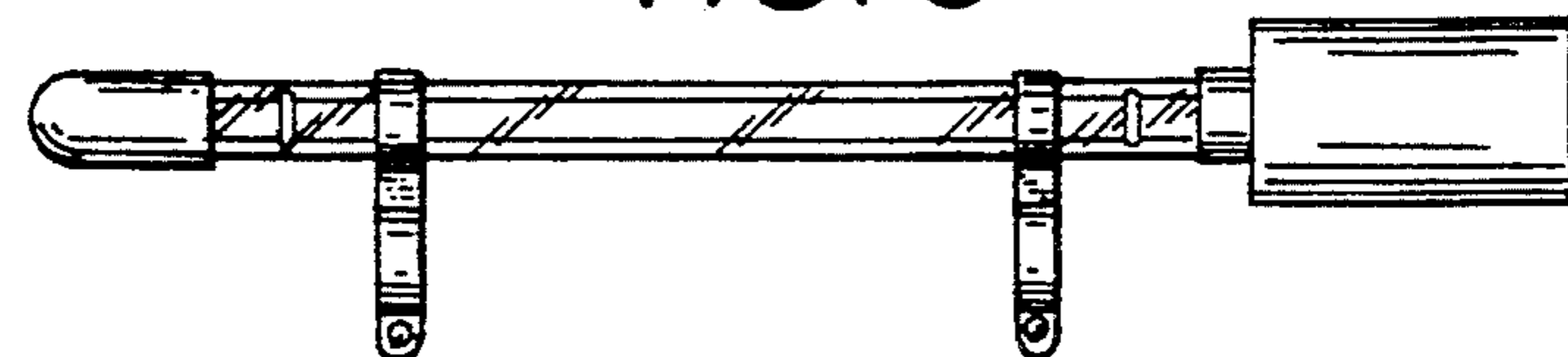


FIG. 7

