



US00D360956S

United States Patent [19]

Sawtelle

[11] Patent Number: **Des. 360,956**

[45] Date of Patent: **** Aug. 1, 1995**

[54] **SCOOTER CROSSING DESIGN**

5,139,845 8/1992 Beckerman et al. 404/46
5,163,776 11/1992 Pouges 404/35

[76] Inventor: **Fred G. Sawtelle**, P.O. Box 21122,
Houston, Tex. 77026

Primary Examiner—Doris Clark
Attorney, Agent, or Firm—Harrison & Egbert

[**] Term: **14 Years**

[57] **CLAIM**

[21] Appl. No.: **28,549**

The ornamental design for a scooter crossing design, as shown and described.

[22] Filed: **Sep. 19, 1994**

[52] U.S. Cl. **D25/138**

[58] Field of Search D25/138, 150; 404/17,
404/41, 35, 36, 39, 46, 54, 53, 1

DESCRIPTION

FIG. 1 is a perspective view of a scooter crossing showing my design. The environmental structure is shown in broken line;

FIG. 2 is a top plan view thereof;

FIG. 3 is an end view thereof, the opposite end being a mirror image thereof;

FIG. 4 is a side view thereof, the opposite side being a mirror image thereof; and,

FIG. 5 is a bottom view thereof.

[56] References Cited

U.S. PATENT DOCUMENTS

2,031,596	2/1936	Fulbright	D25/150
3,272,096	9/1966	Lom	404/1
4,964,751	10/1990	Rope et al.	404/35
5,087,149	2/1992	Dalles, Jr.	404/46

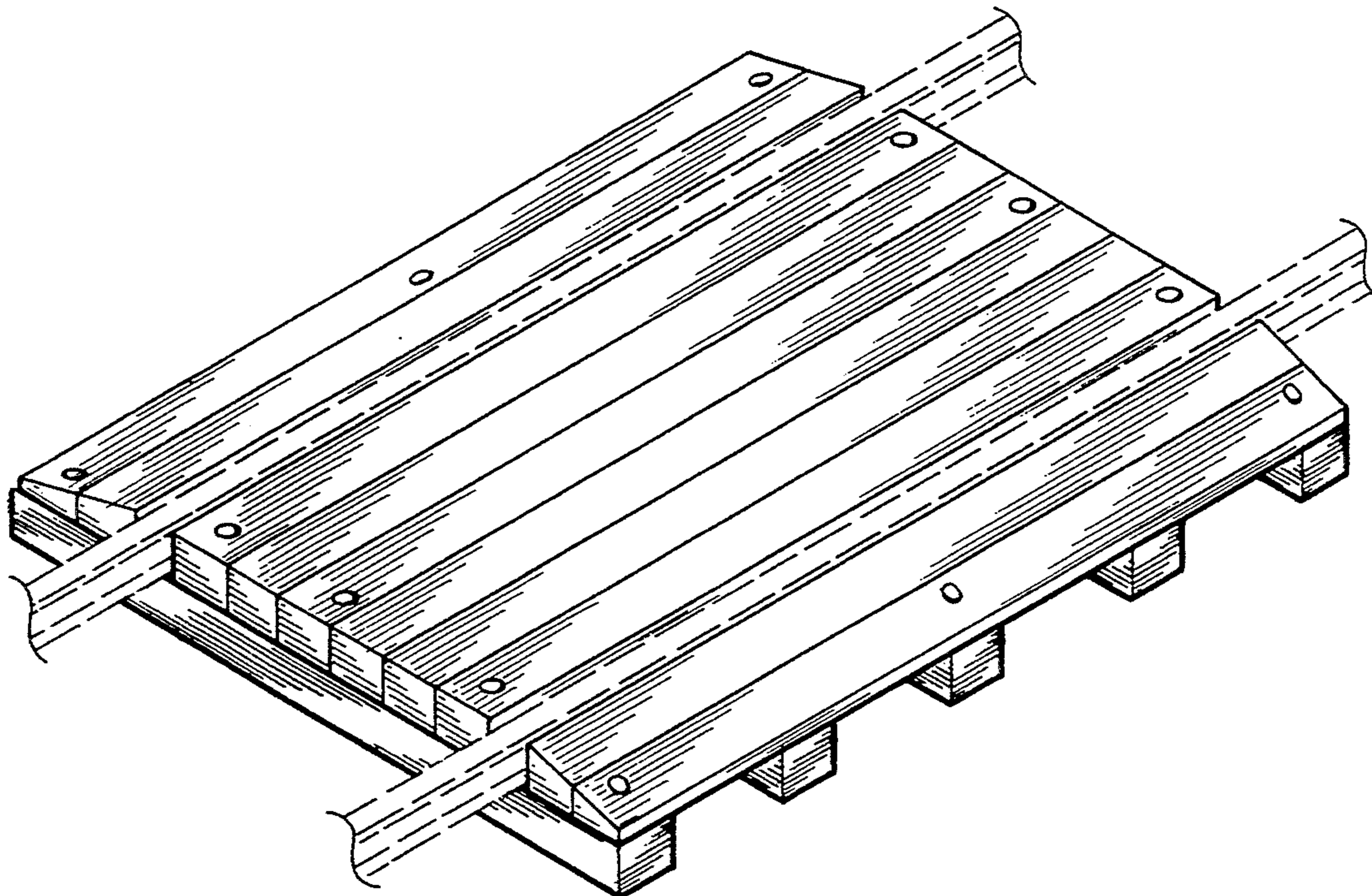


FIG. 1

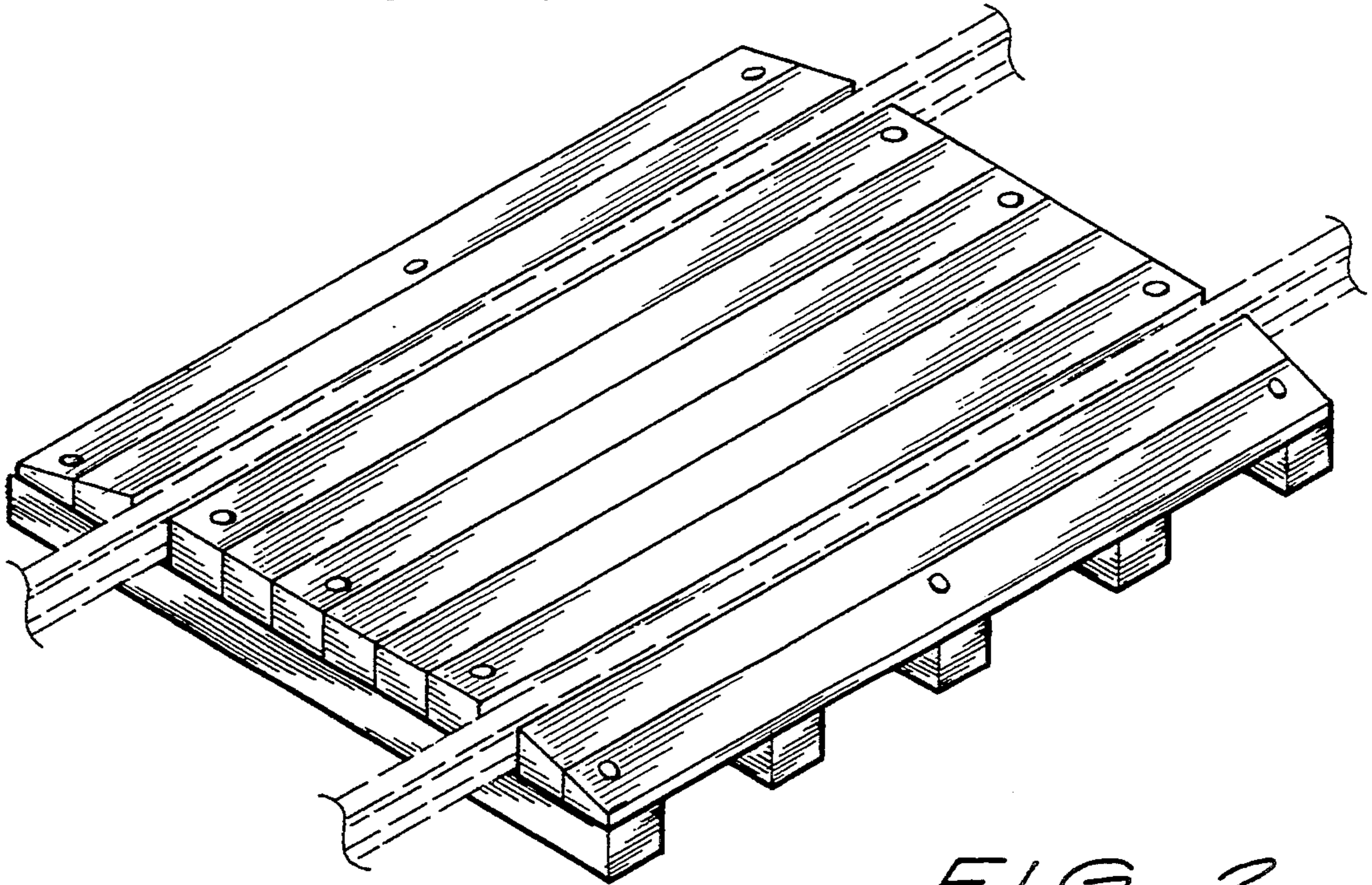


FIG. 2

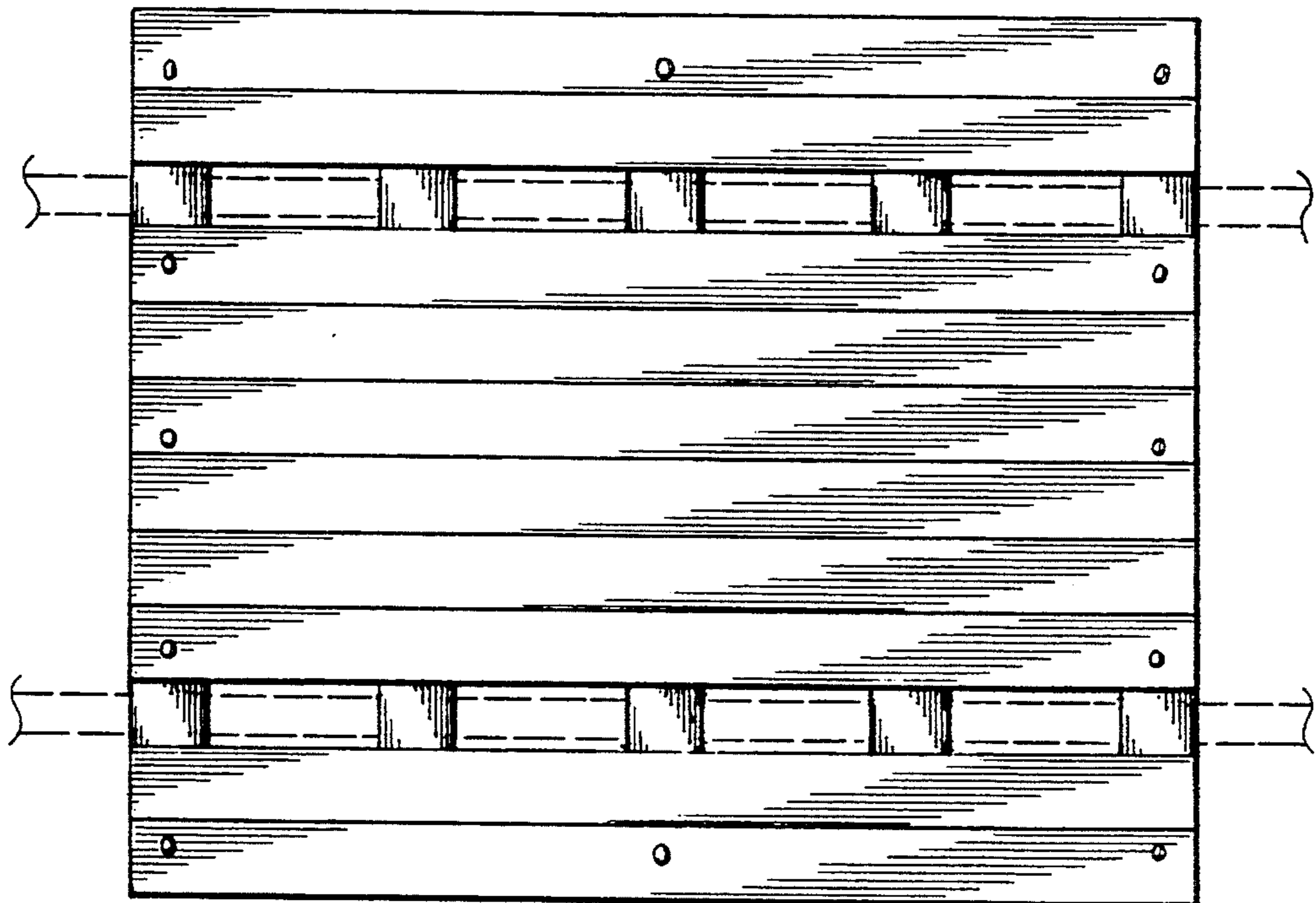


FIG. 3

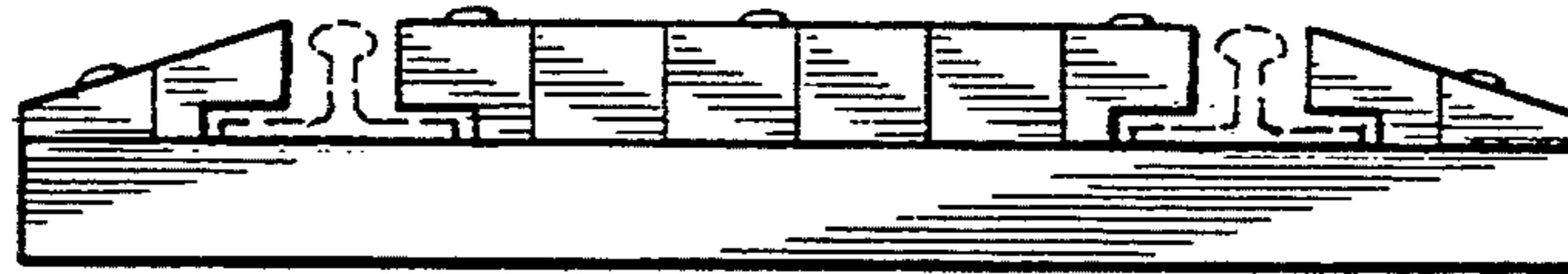


FIG. 4

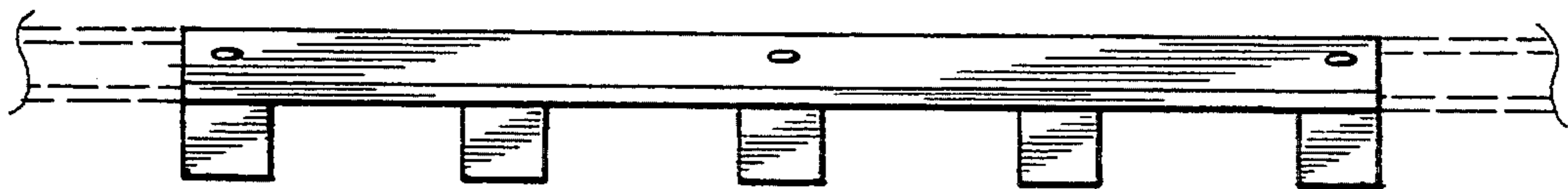


FIG. 5

