



US00D360954S

United States Patent [19]

[11] Patent Number: **Des. 360,954**

Von Parrish

[45] Date of Patent: **** Aug. 1, 1995**

[54] **BALUSTER UNIT**

[75] Inventor: **Terry Von Parrish, Monett, Mo.**

[73] Assignee: **Miracle Recreation Equipment Company, Monett, Mo.**

[**] Term: **14 Years**

[21] Appl. No.: **17,519**

[22] Filed: **Jan. 14, 1994**

[52] U.S. Cl. **D25/128; D25/38; D25/121**

[58] Field of Search **D25/38-45, D25/126, 128, 131; 256/DIG. 5, 19, 21, 22, 24, 34, 41, 50, 59, 66, 73, 47, 51, 65, 67, 68, 69**

[56] **References Cited**

U.S. PATENT DOCUMENTS

1,797,883	3/1931	Strubel	D25/128
2,823,014	2/1958	Schrage	256/21
3,911,549	10/1975	Herr	256/21
4,208,038	6/1980	Reid	256/21

Primary Examiner—Doris Clark
Attorney, Agent, or Firm—Zarley, McKee, Thomte, Voorhees & Sease

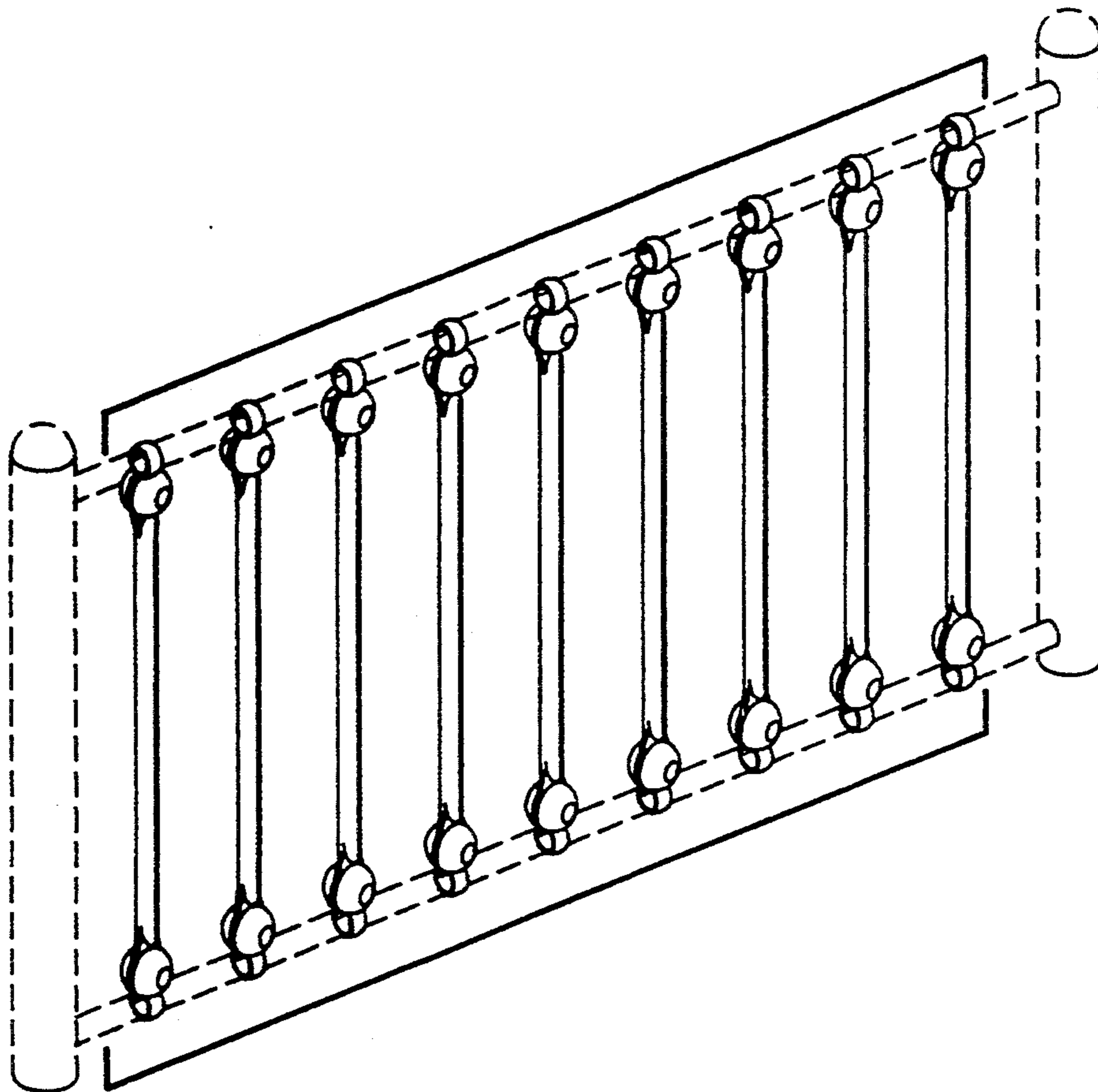
[57] **CLAIM**

The ornamental design for a baluster unit, as shown and described.

DESCRIPTION

FIG. 1 is a perspective view of a baluster unit showing my new design;
 FIG. 2 is an enlarged perspective view of one of the balusters shown in FIG. 1;
 FIG. 3 is a top plan view thereof;
 FIG. 4 is a front elevational view thereof with the back-side being a mirror image thereof;
 FIG. 5 is a side elevational view thereof taken from the left side in FIG. 2 with the right side being a mirror image thereof;
 FIG. 6 is a perspective view of an alternate a baluster unit;
 FIG. 7 is an enlarged perspective view of one of the balusters shown in FIG. 6;
 FIG. 8 is a top plan view thereof;
 FIG. 9 is a front elevational view thereof with the back-side being a mirror image thereof; and,
 FIG. 10 is a side elevational view thereof taken from the left side in FIG. 7 with the right side being a mirror image thereof.

The broken line showing of horizontal rails and end posts is for illustrative purposes only and forms no part of the claimed design.



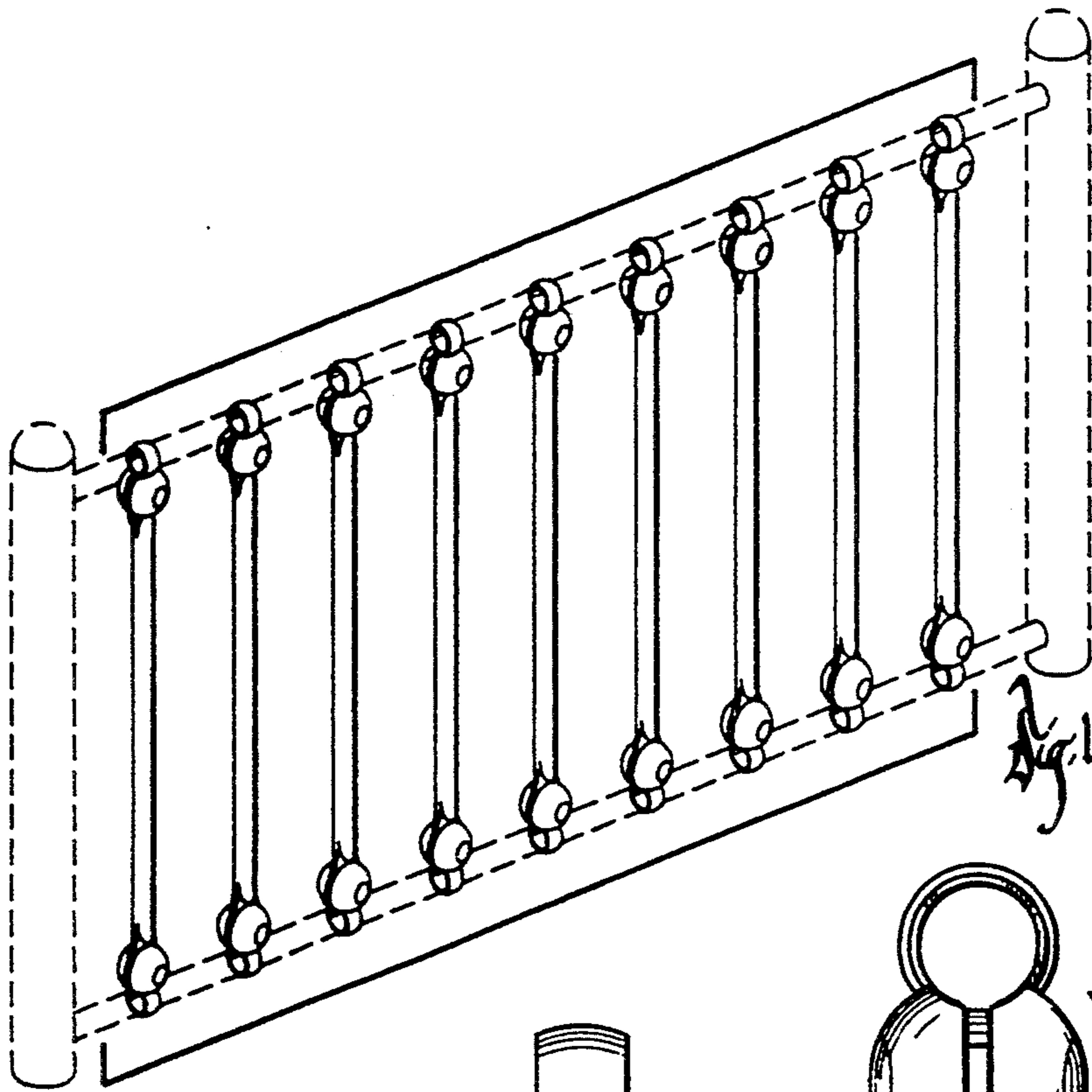


Fig. 1

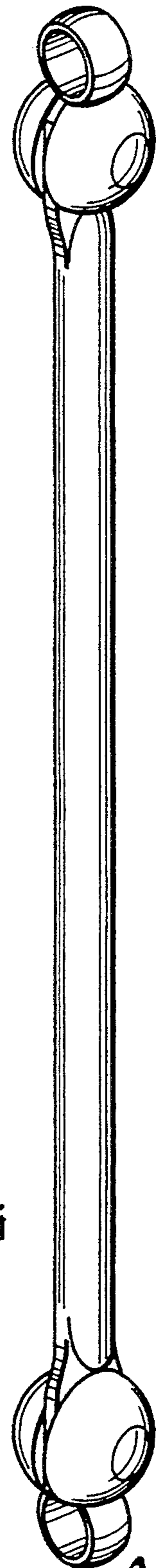


Fig. 2

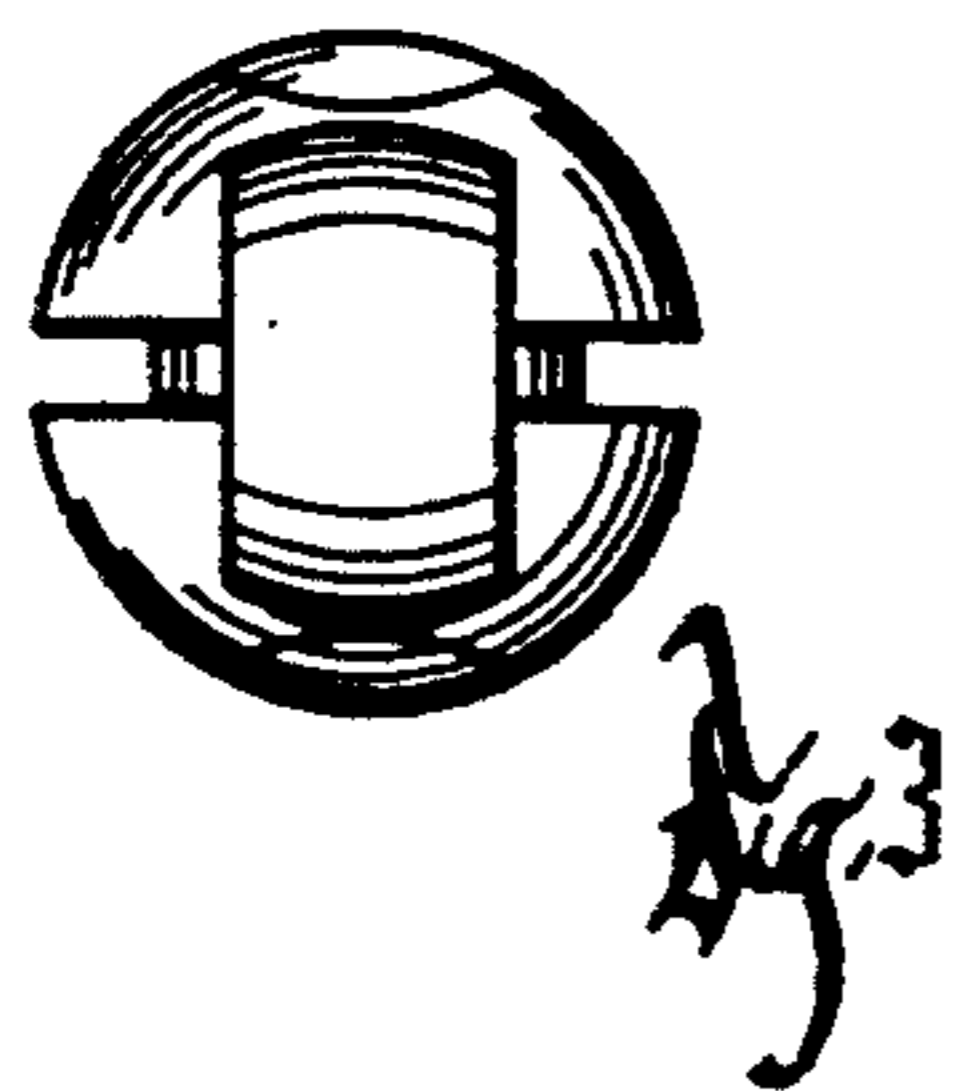


Fig. 3

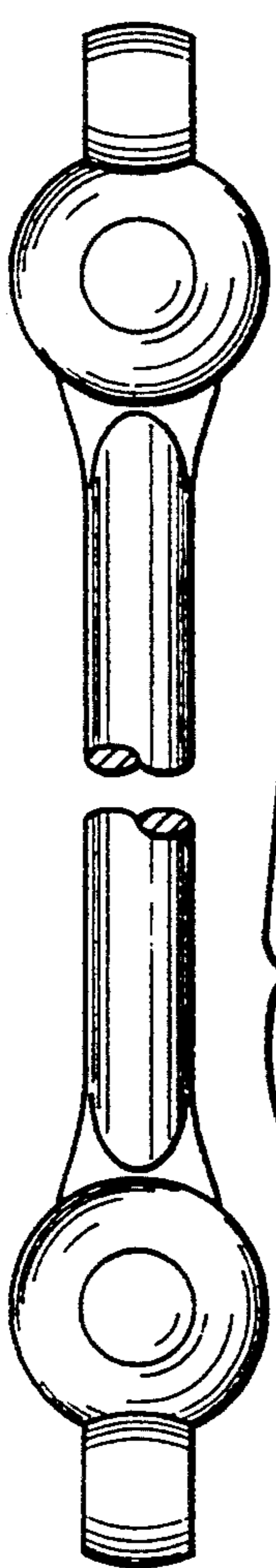


Fig. 4

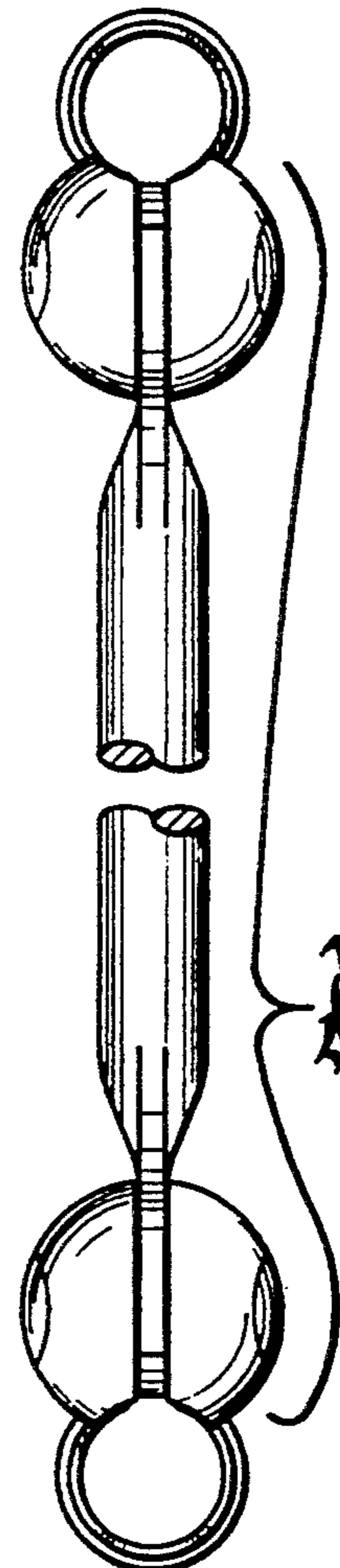


Fig. 5

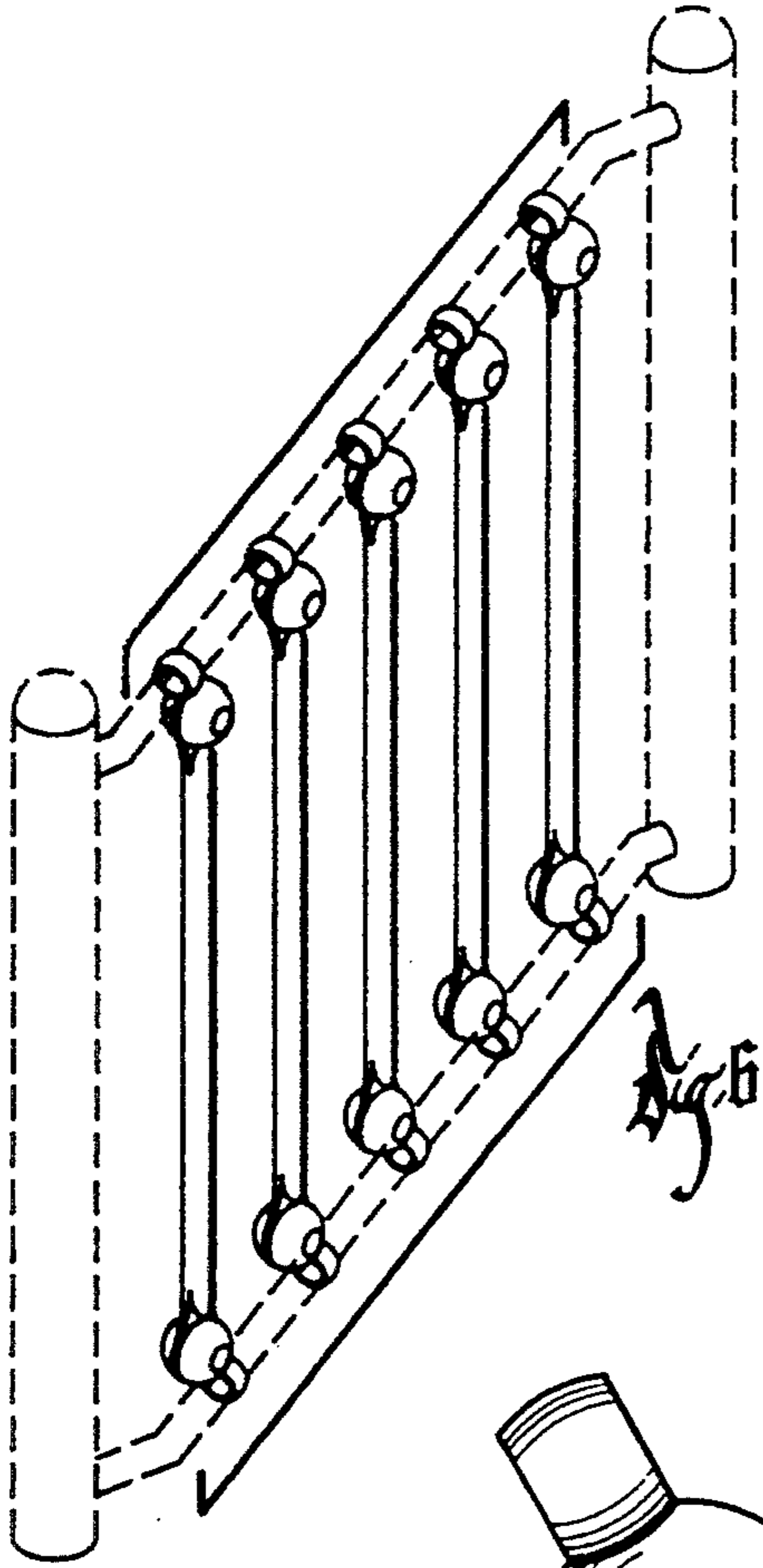


Fig. 6

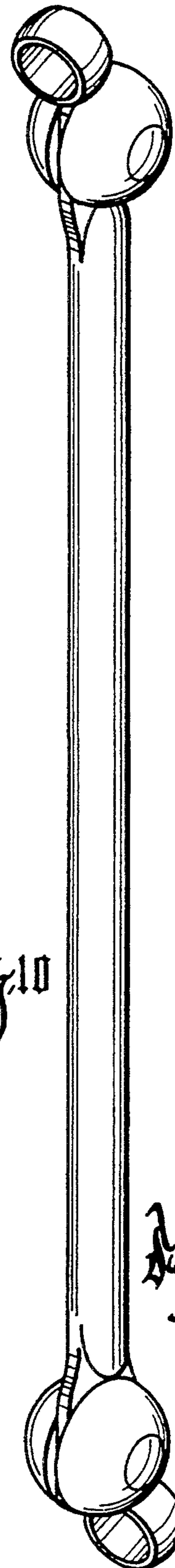


Fig. 7

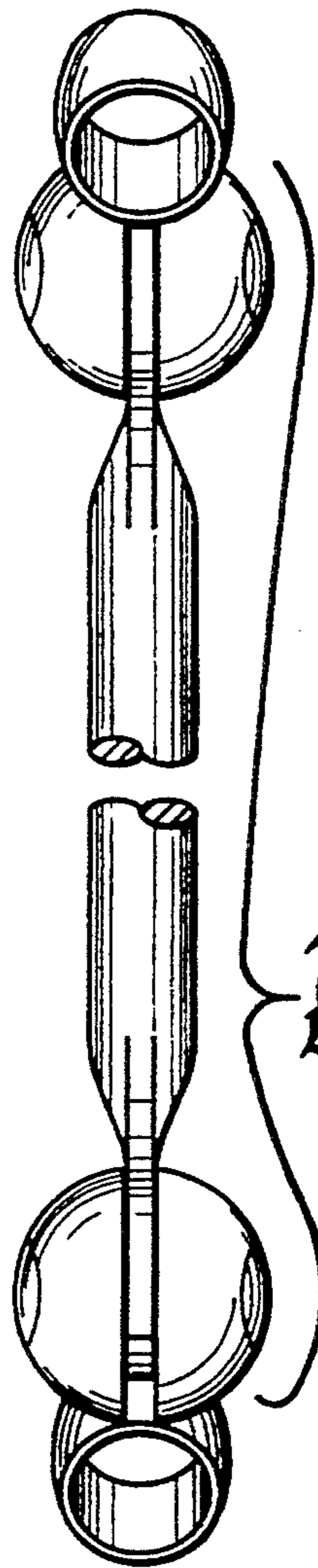


Fig. 10

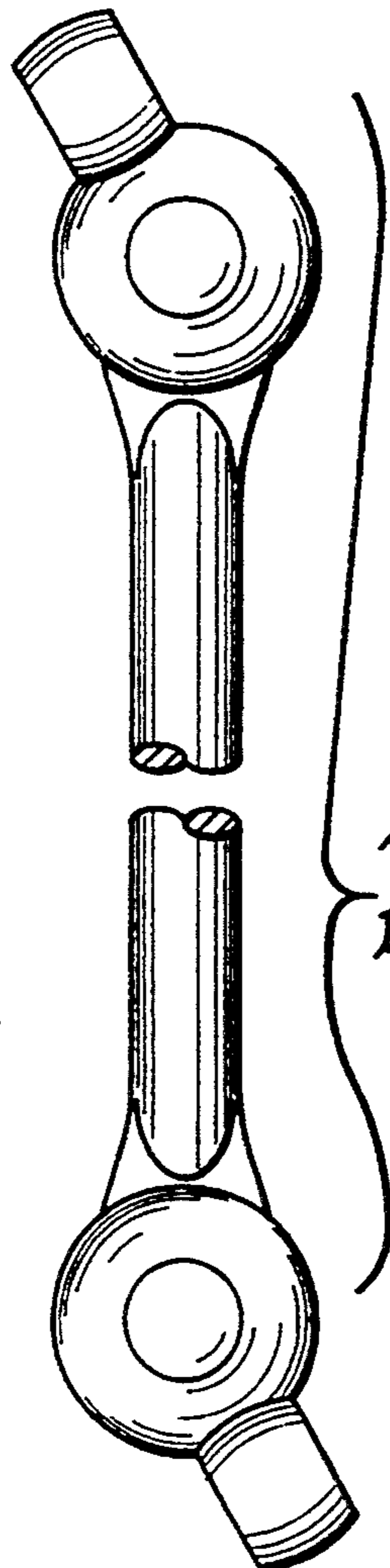


Fig. 9

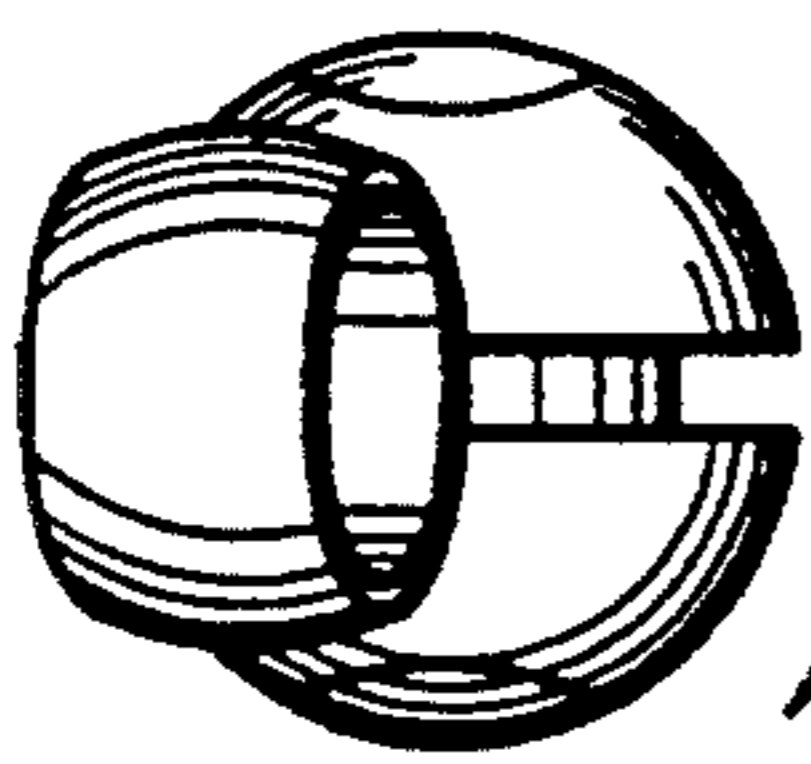


Fig. 8