



US00D360953S

United States Patent [19]

[11] Patent Number: **Des. 360,953**

Sheftel

[45] Date of Patent: **** Aug. 1, 1995**

[54] **ADJUSTABLE WORK MOVER**

[75] Inventor: **Steven J. Sheftel**, Marstons Mills, Mass. 02648

[73] Assignee: **American Manufacturing Company, Inc.**, Allentown, Pa.

[**] Term: **14 Years**

[21] Appl. No.: **18,363**

[22] Filed: **Feb. 3, 1994**

[52] U.S. Cl. **D25/67**

[58] Field of Search **D25/62, 67, 68; 269/139; 182/153, 155, 181-186; 248/163.1, 166, 411, 188, 431, 161; D6/311-312**

[56] **References Cited**

U.S. PATENT DOCUMENTS

1,224,893 5/1917 Bekwith **D25/67**

2,633,221 3/1953 Roeder 182/184

4,252,304 2/1981 Pettican **D25/67**

4,492,354 1/1985 Rice 182/182

4,727,960 3/1988 Chaffel et al. 182/182

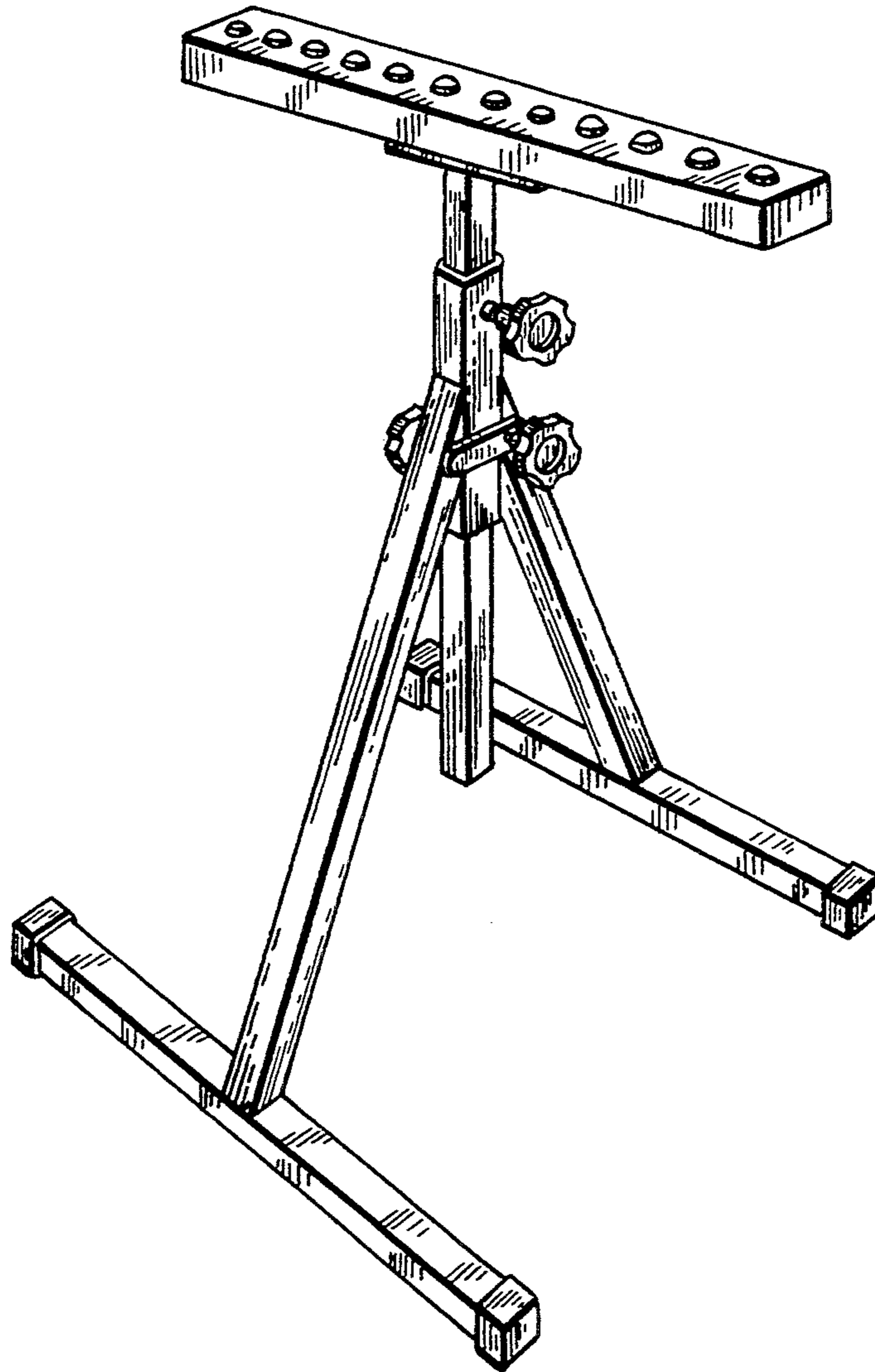
Primary Examiner—Doris Clark
Attorney, Agent, or Firm—Samuels, Gauthier & Stevens

[57] CLAIM

The ornamental design for adjustable work mover, as shown and described.

DESCRIPTION

FIG. 1 is a top front and right side perspective view of an adjustable work holder showing my new design; FIG. 2 is a right side elevational view; FIG. 3 is a left side elevational view; FIG. 4 is a front elevational view; FIG. 5 is a rear elevational view; and, FIG. 6 is a top plan view; and, FIG. 7 is a bottom plan view thereof.



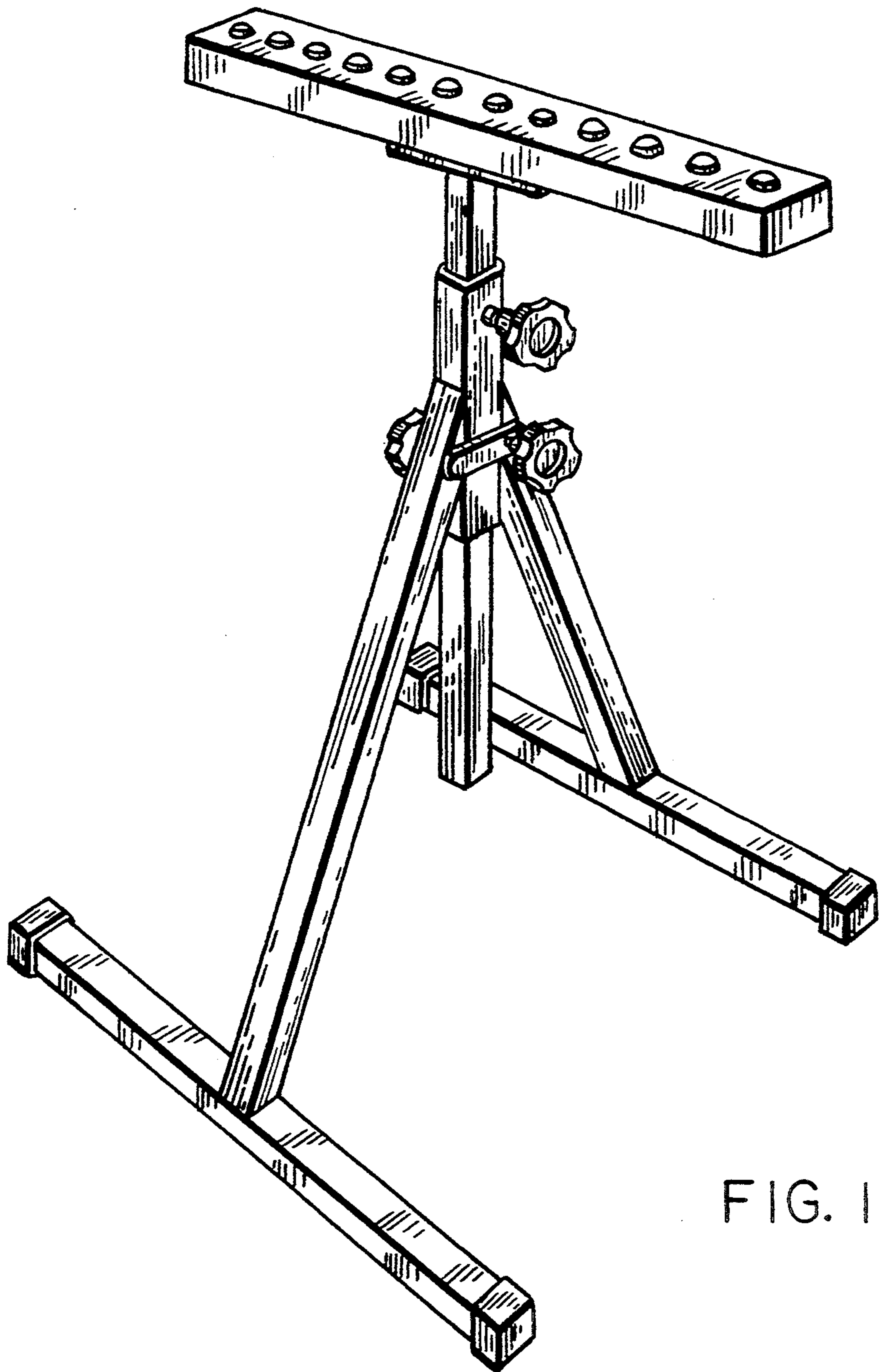


FIG. 1

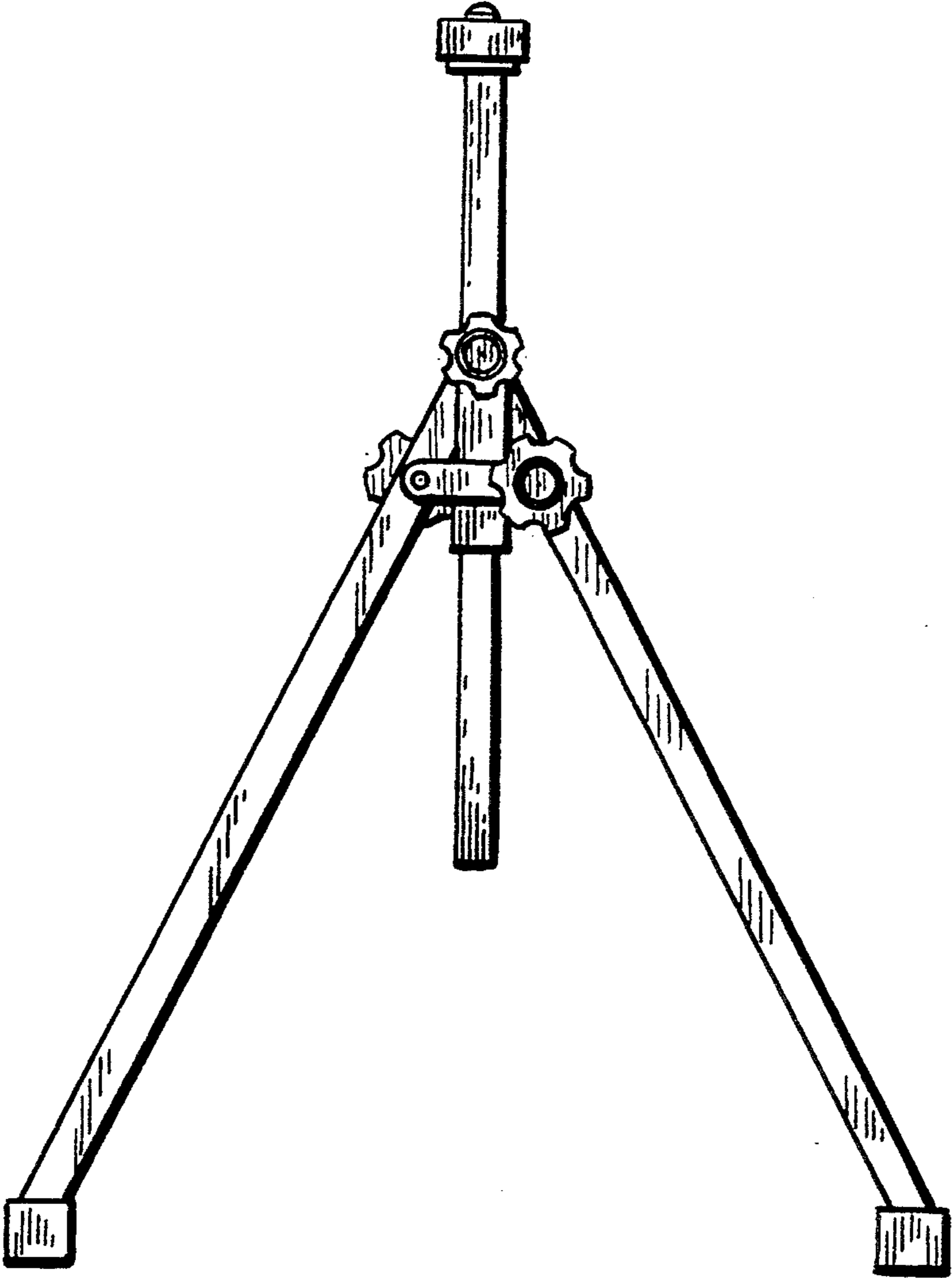


FIG. 2

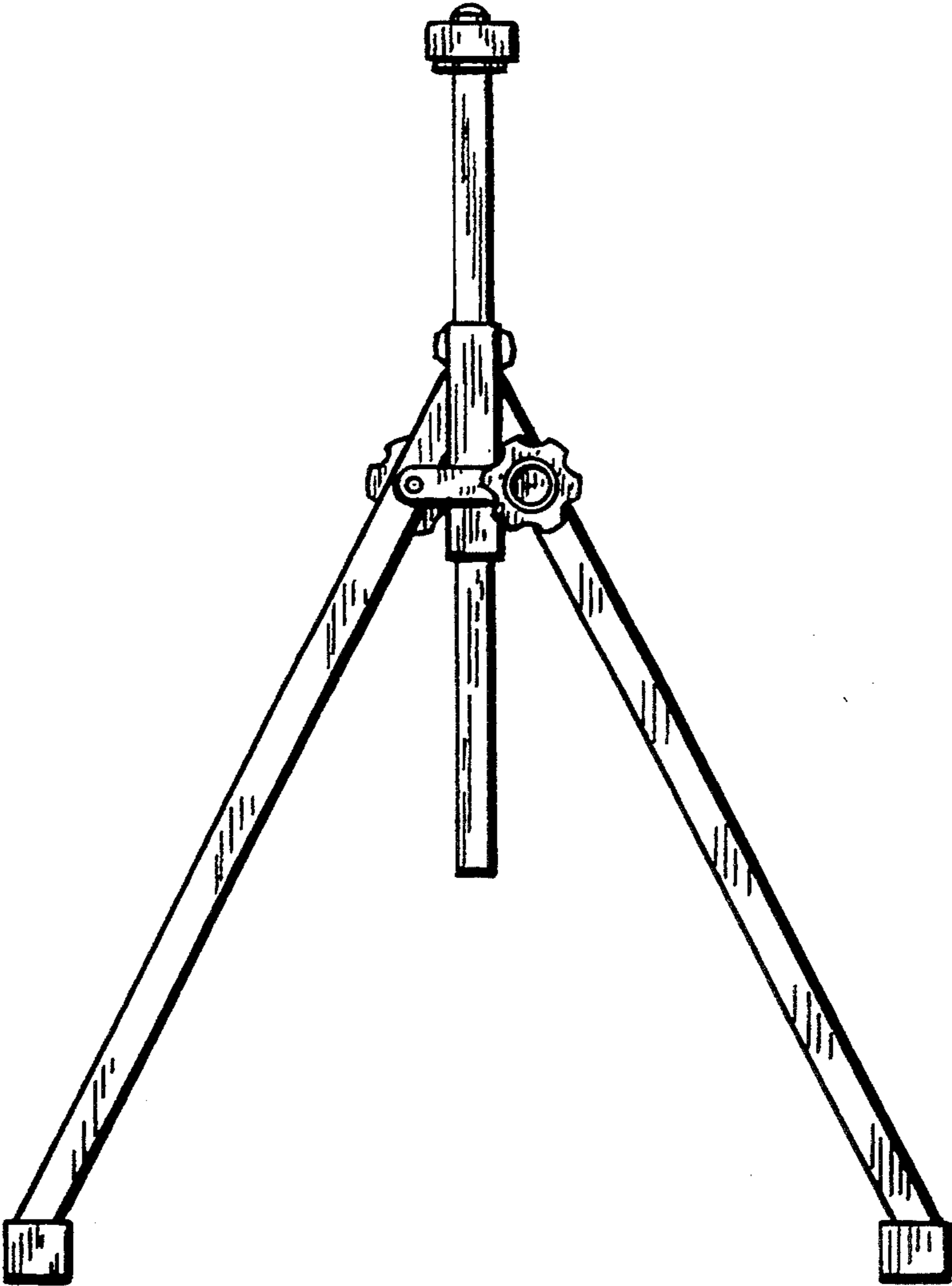


FIG. 3

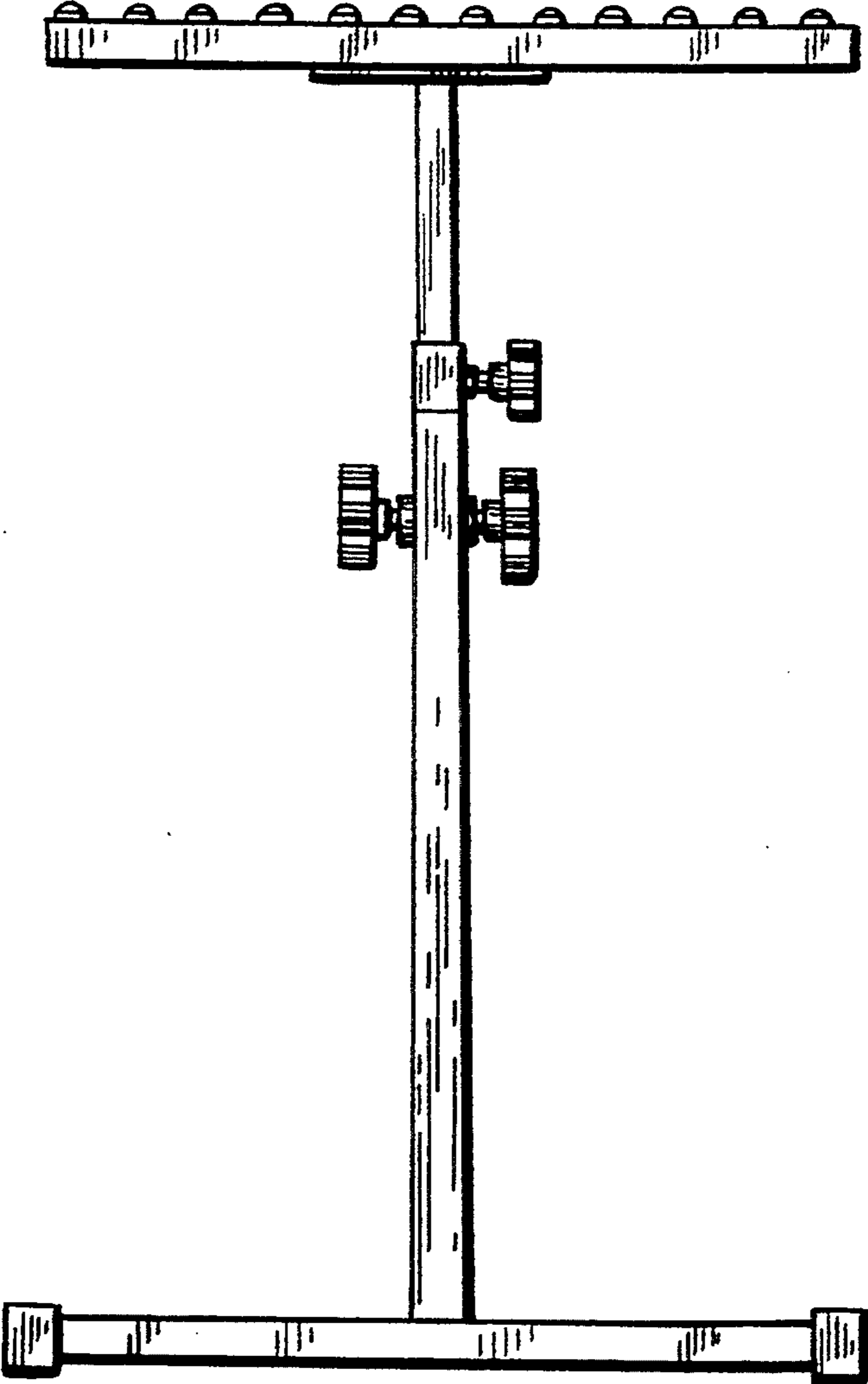


FIG. 4

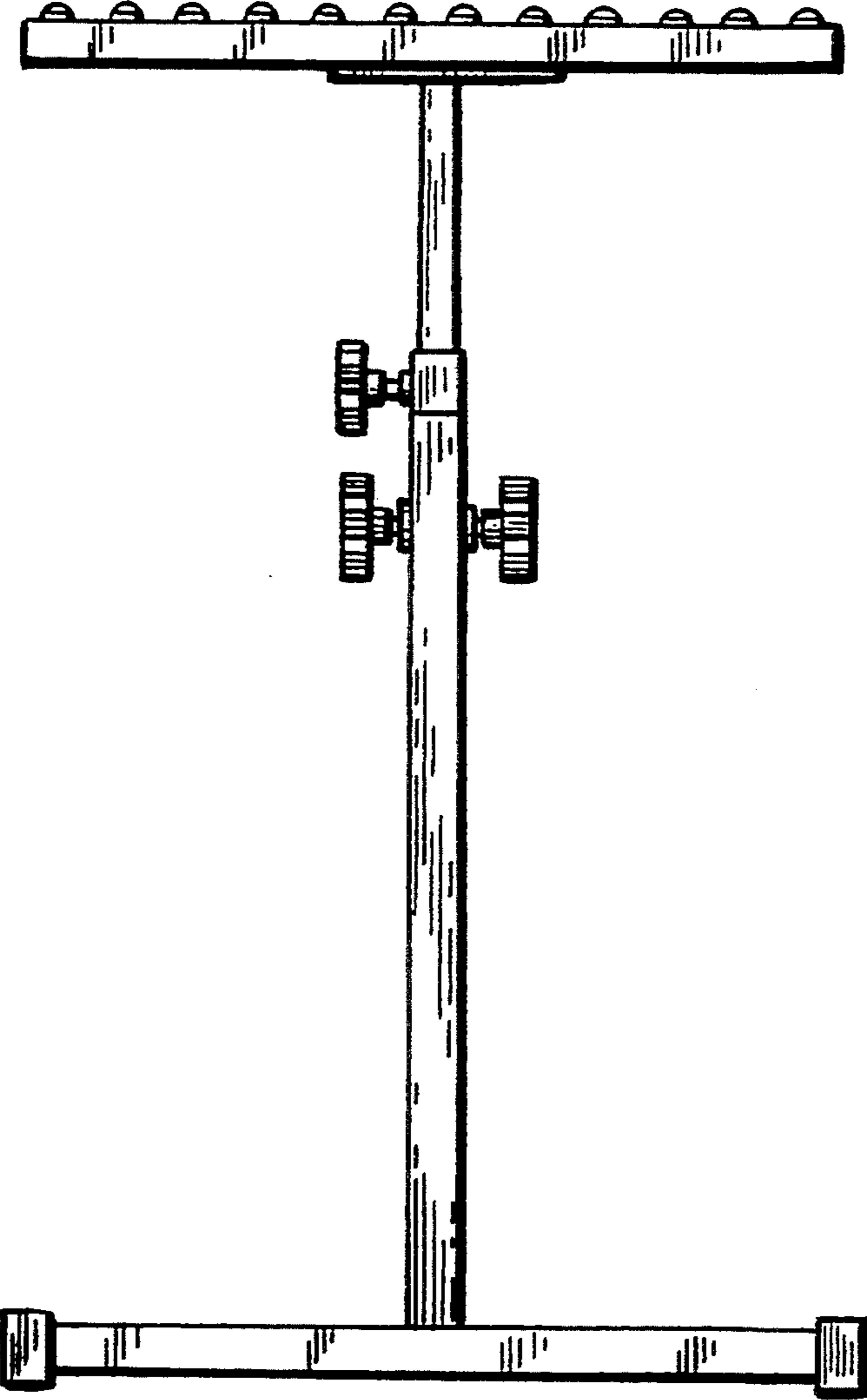


FIG. 5

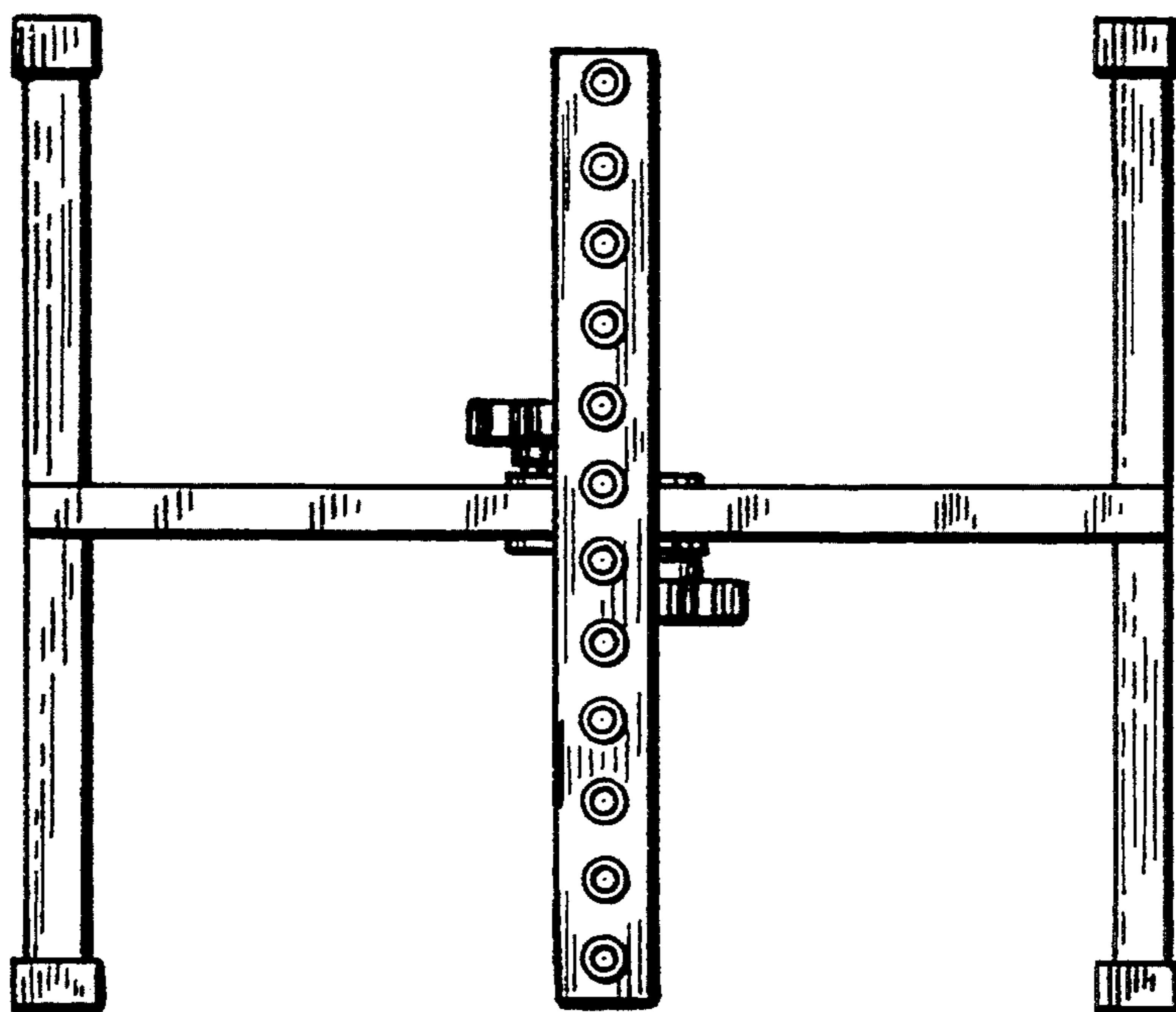


FIG. 6

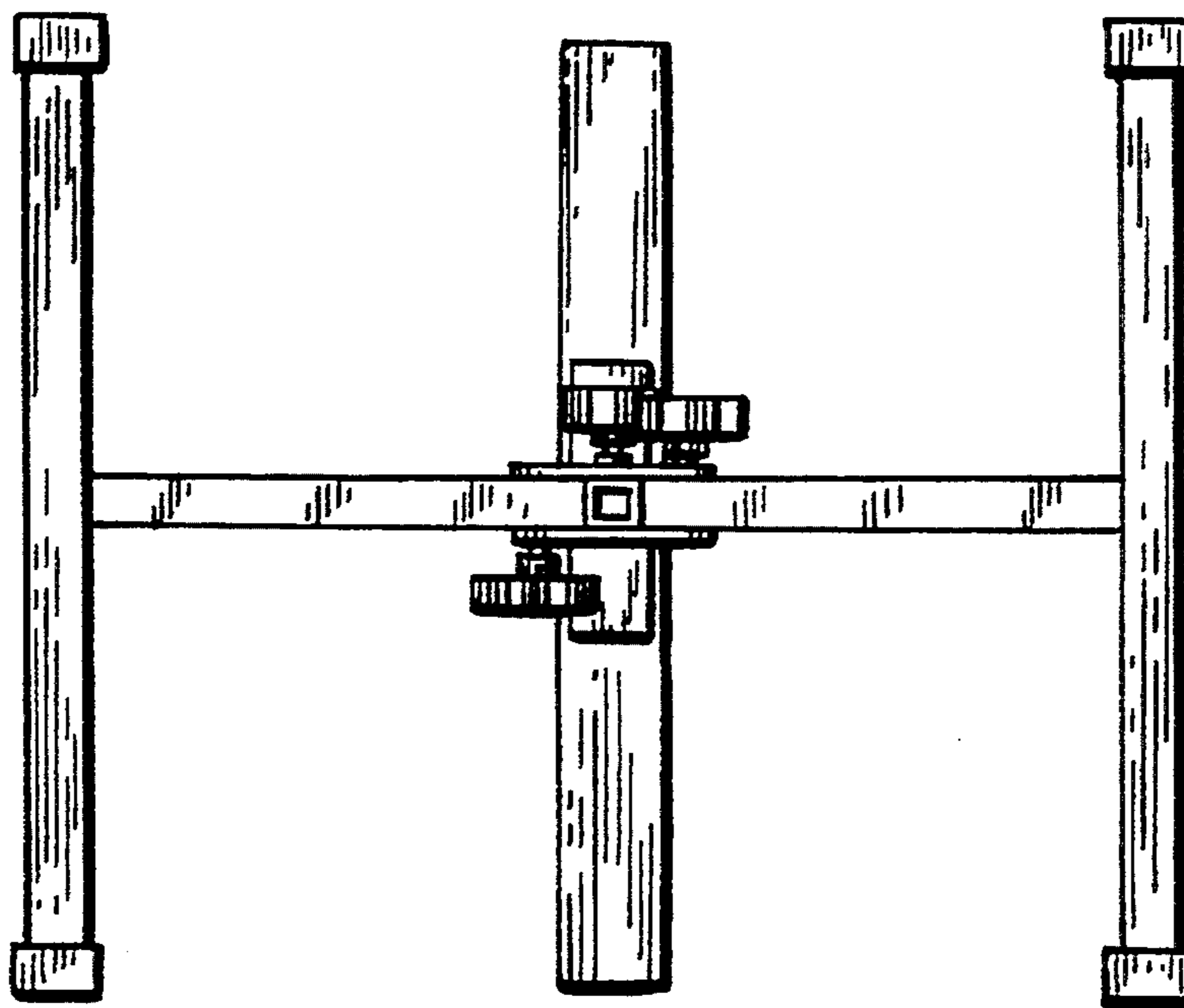


FIG. 7