



US00D360952S

United States Patent [19]

[11] Patent Number: **Des. 360,952**

Lee

[45] Date of Patent: **** Aug. 1, 1995**

[54] **UTILITY LIGHT WITH CLAMP AND HANGER**

5,205,645 4/1993 Lee 362/427 X
5,209,562 5/1993 Glassford 362/378
5,213,412 5/1993 Ciallela 362/398

[75] Inventor: **Simeon T. Lee, Burlington, N.C.**

[73] Assignee: **Regent Lighting Corporation, Burlington, N.C.**

[**] Term: **14 Years**

[21] Appl. No.: **20,623**

[22] Filed: **Mar. 29, 1994**

[52] U.S. Cl. **D26/60; D26/63**

[58] Field of Search **D26/60, 61, 63, 65; 362/269, 275, 285, 418, 419, 427, 396, 190, 191**

[56] **References Cited**

U.S. PATENT DOCUMENTS

D. 348,743	7/1994	Leen et al.	D26/60
D. 349,971	8/1994	Stekelenburg	D26/60
1,302,981	5/1919	Sheley .	
2,150,542	3/1939	Cook	248/214
3,535,508	10/1970	Warshauser	240/52
3,793,516	2/1974	Cassey	240/26
3,883,926	5/1975	Reynolds	24/73
4,288,848	9/1981	Fido	362/378
4,321,660	3/1982	Sokol	362/368
4,528,622	7/1985	Bacevius	362/396
5,163,751	11/1992	Bottiglieri	362/376
5,180,220	1/1993	Kalsbeek	362/98

OTHER PUBLICATIONS

Regent Lighting, Illuminator Quartz Light, pp. 22, 23, Admitted Prior Art (Prior to 1994).

The Designer's Edge, L-850 Halogen Clamp Light, 1993.

Yardglow, Halogen Clamp Light, date unknown, found in Jun. 1994, not believed to be prior art.

Primary Examiner—Susan J. Lucas

Attorney, Agent, or Firm—Rhodes, Coats & Bennett

[57] CLAIM

The ornamental design for a utility light with clamp and hanger, as shown and described.

DESCRIPTION

FIG. 1 is a front perspective view of a utility light with clamp and hanger showing my new design;

FIG. 2 is a side view thereof;

FIG. 3 is a front view thereof;

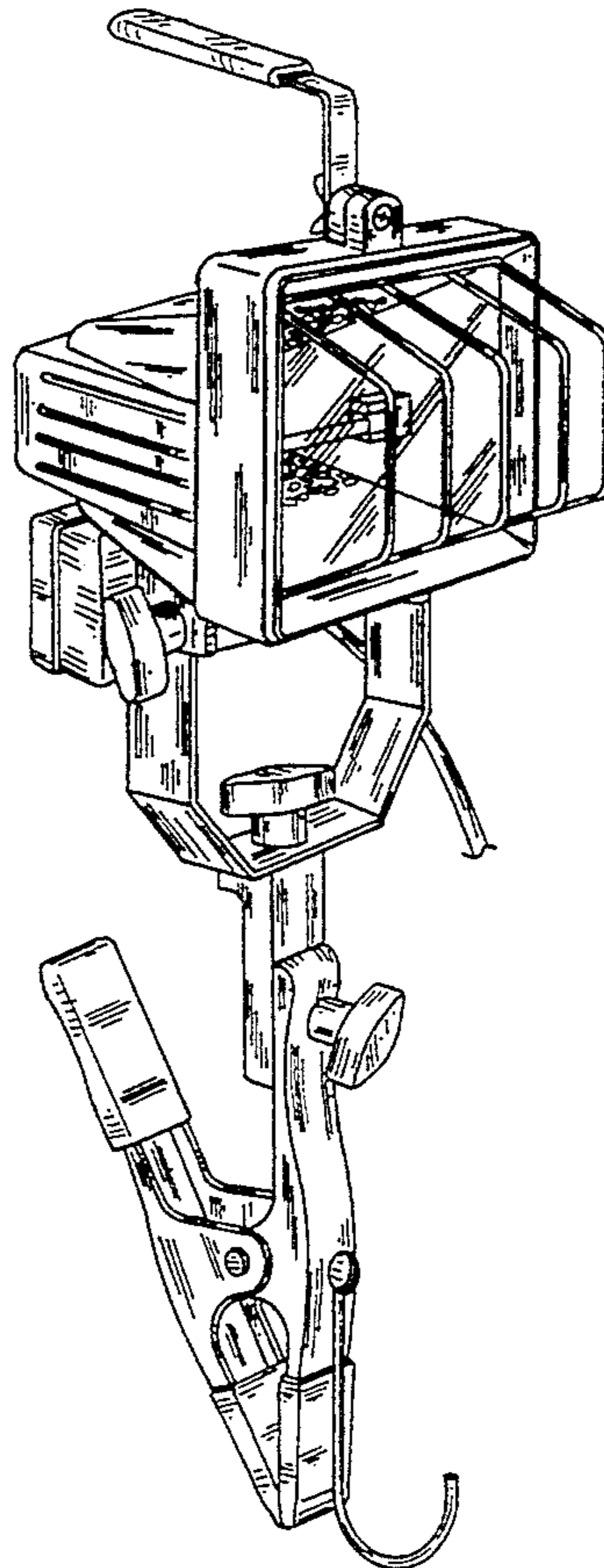
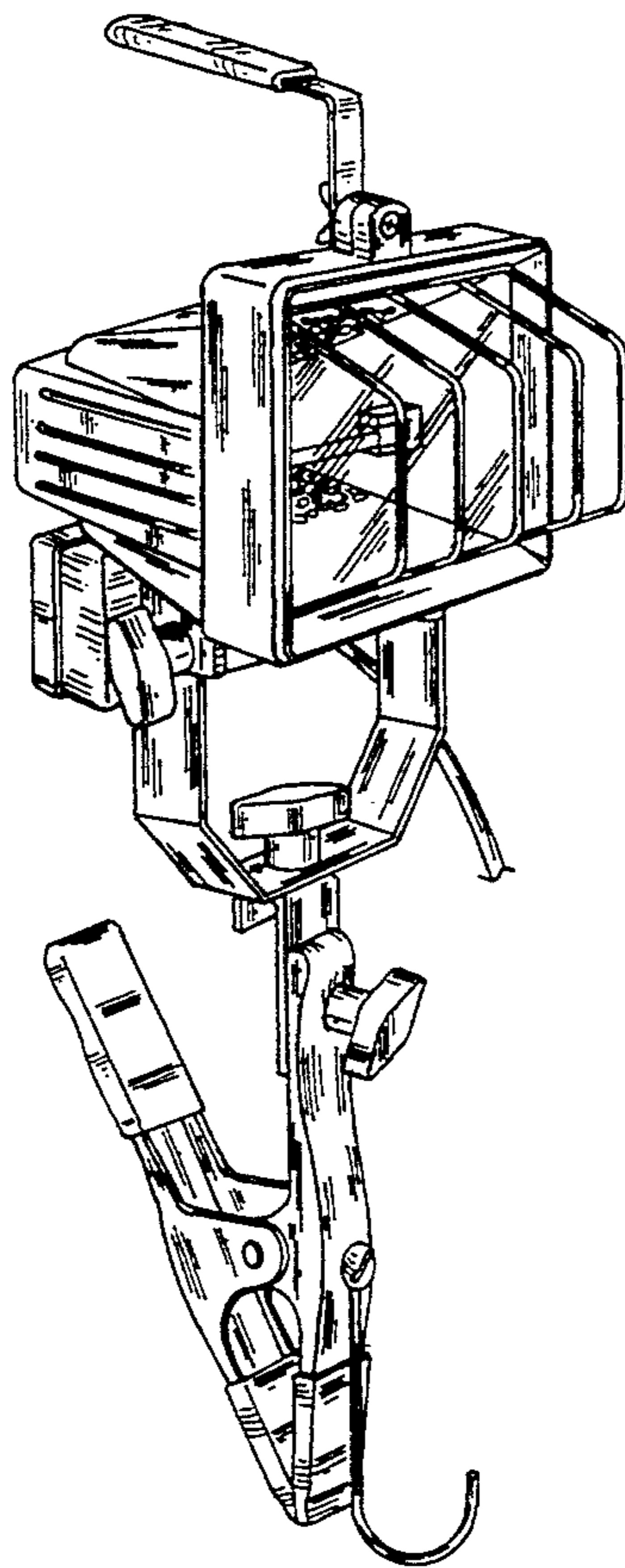
FIG. 4 is a rear elevational view thereof;

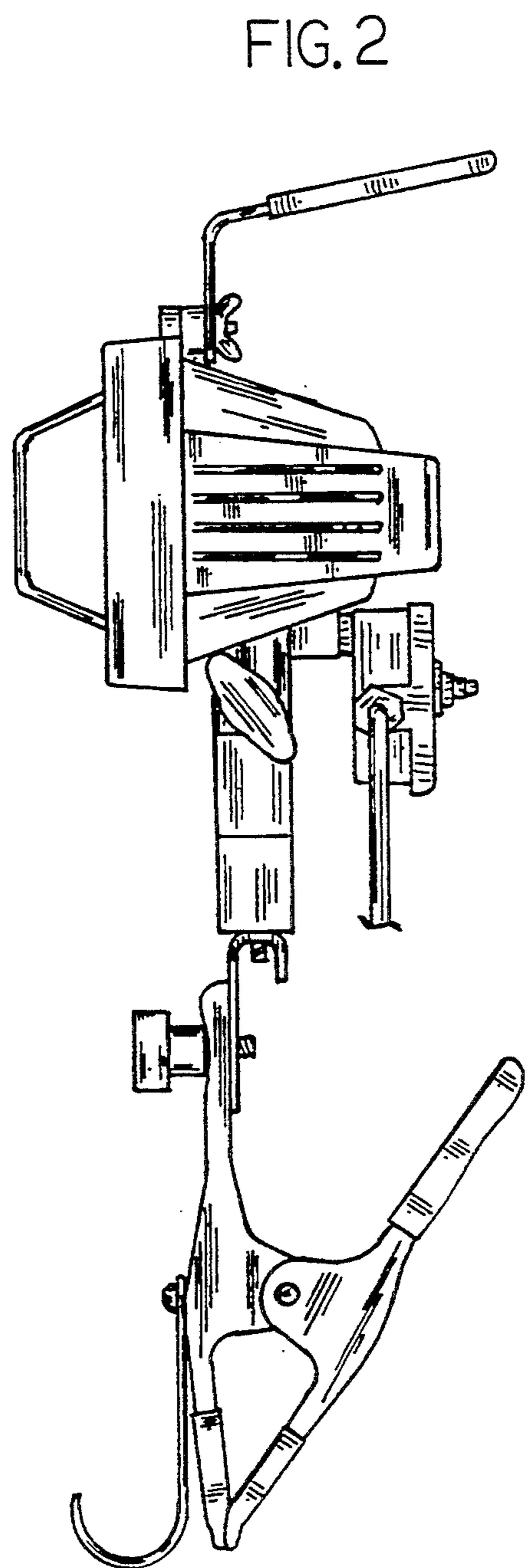
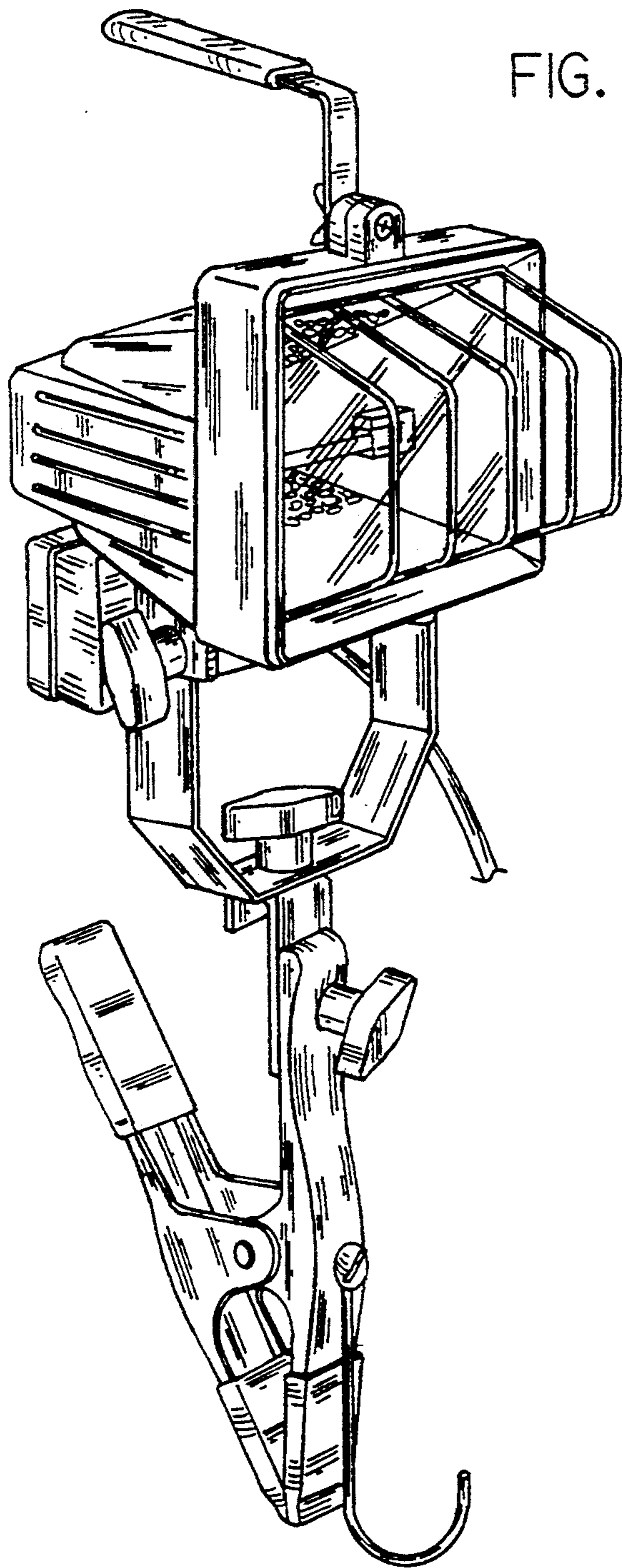
FIG. 5 is a front perspective view of an alternate embodiment;

FIG. 6 is a side view of FIG. 5;

FIG. 7 is a front view of FIG. 5; and,

FIG. 8 is a rear elevational view of FIG. 5.





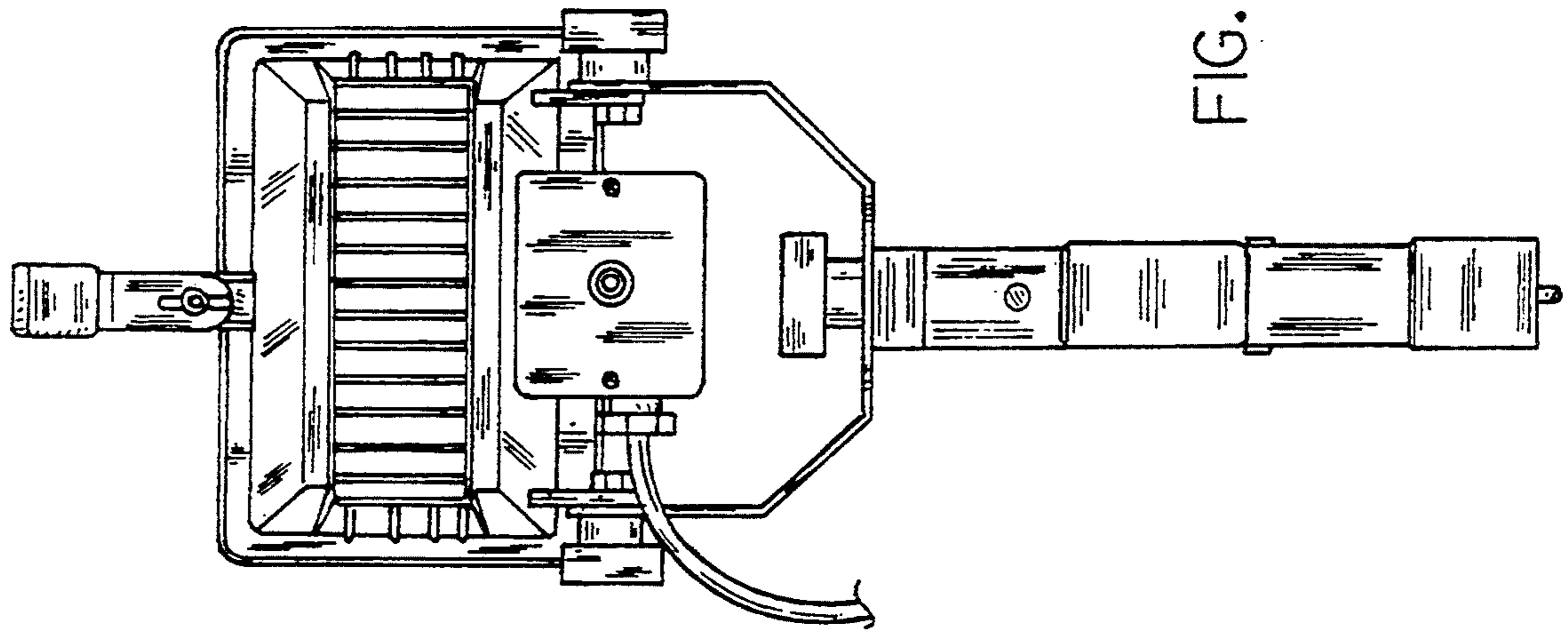


FIG. 4

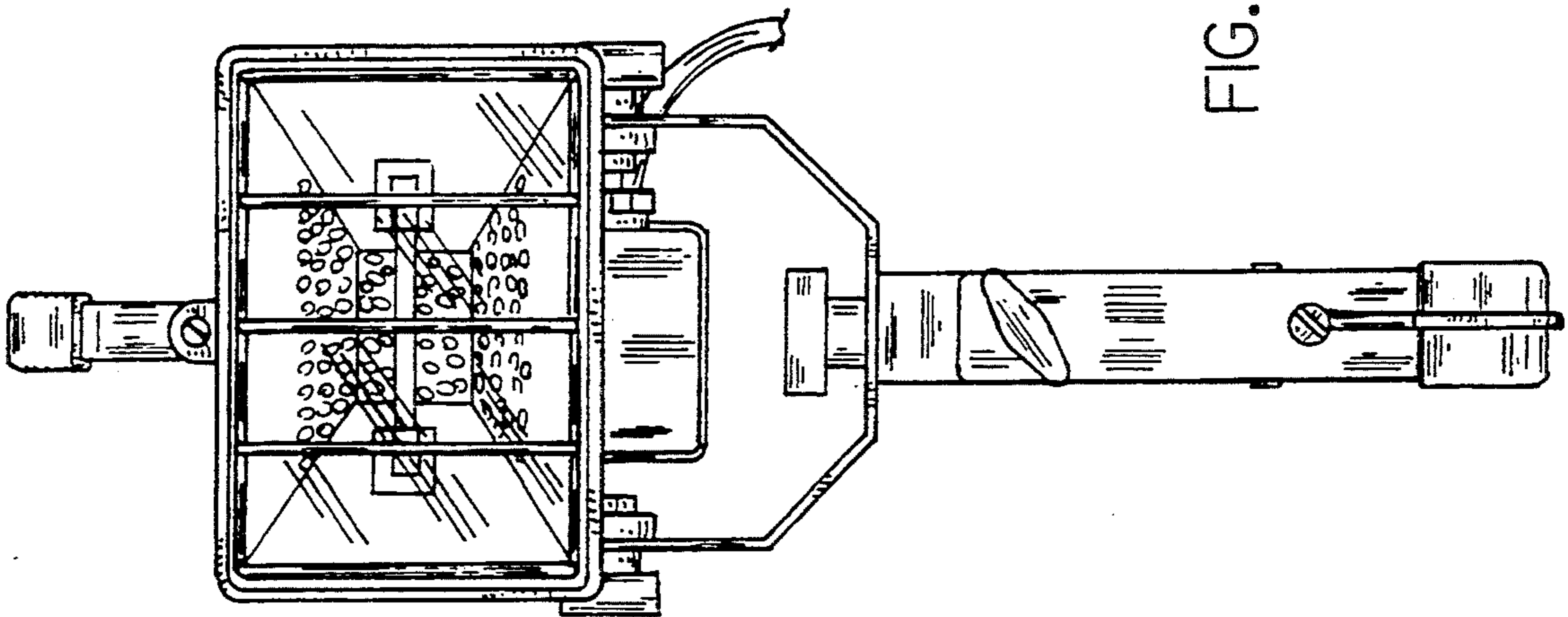


FIG. 3

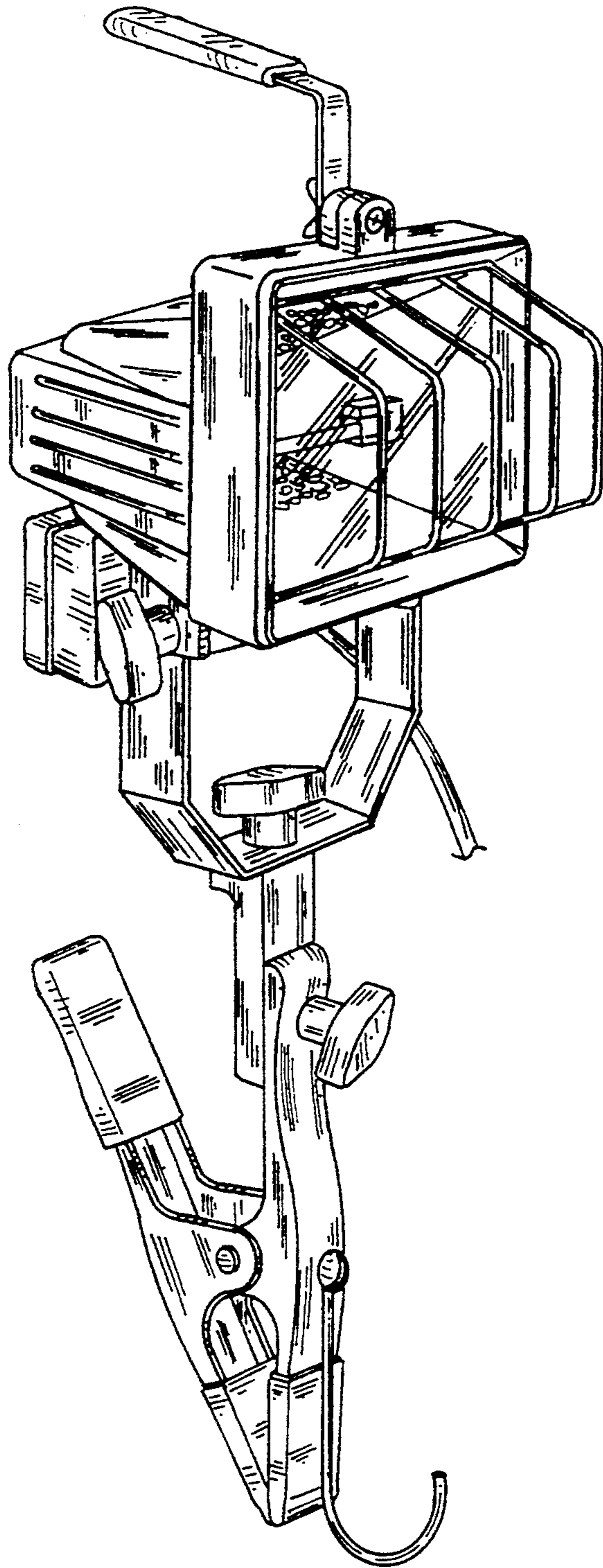


FIG. 5

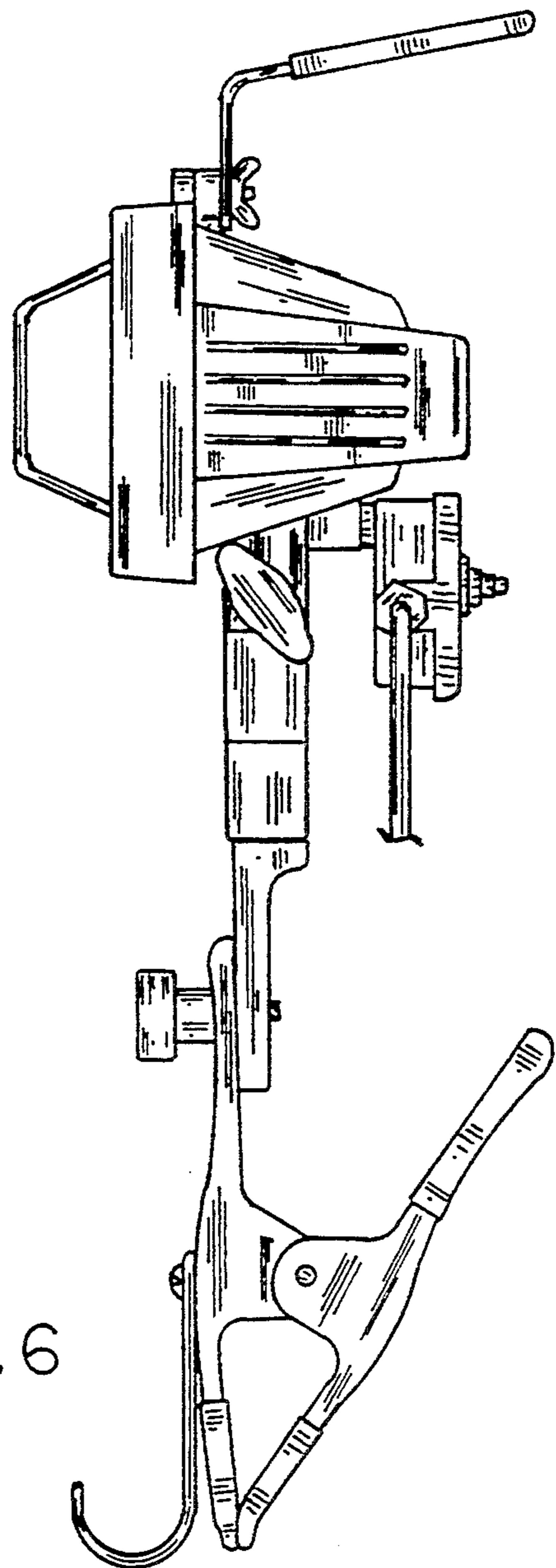


FIG. 6

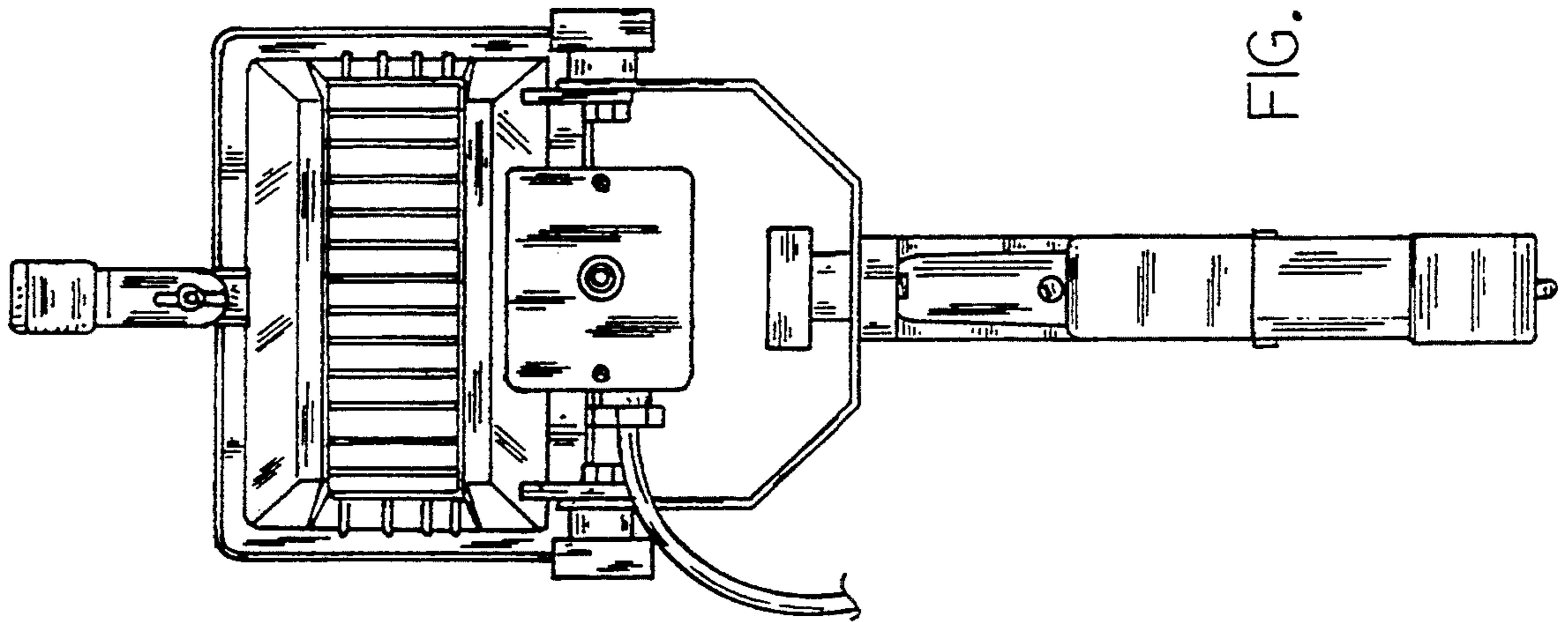


FIG. 8

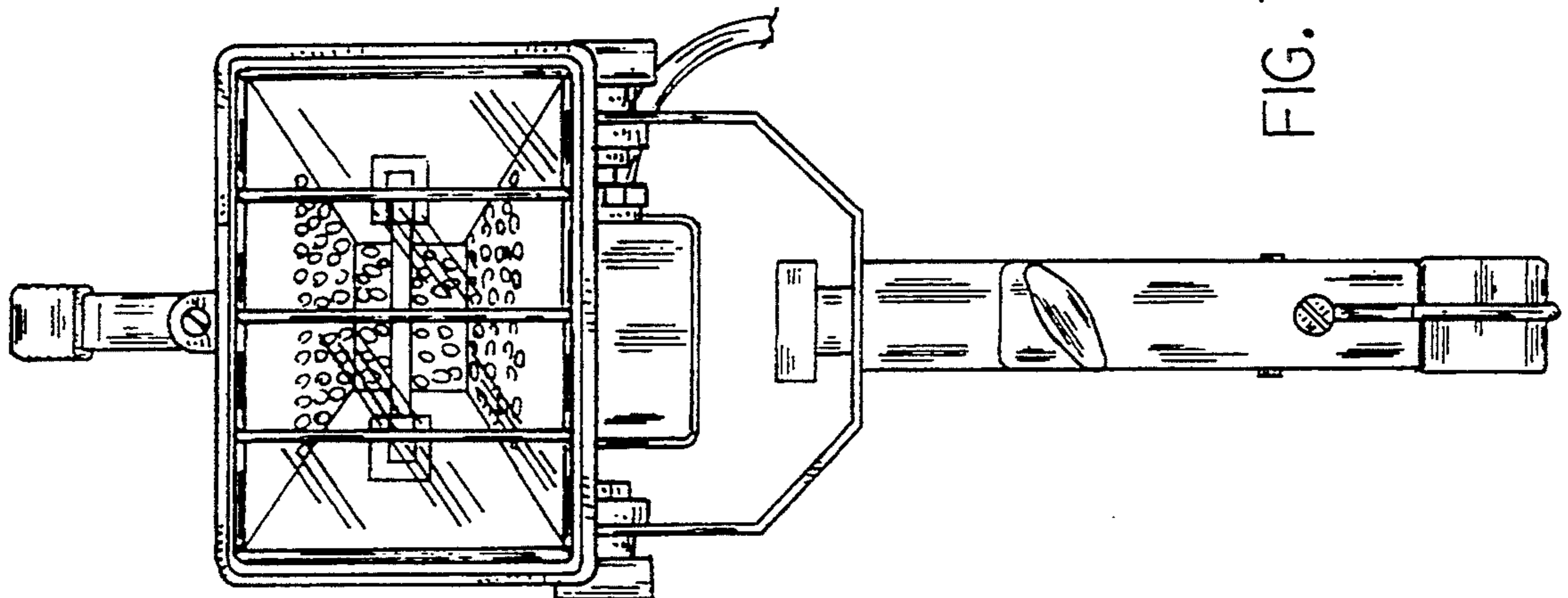


FIG. 7