



US00D360949S

# United States Patent [19]

[11] Patent Number: **Des. 360,949**

**Mostardo**

[45] Date of Patent: **\*\* Aug. 1, 1995**

[54] **HEARING AID RECEIVER**

[75] Inventor: **August F. Mostardo**, Norridge, Ill.

[73] Assignee: **Knowles Electronics, Inc.**, Itasca, Ill.

[\*\*] Term: **14 Years**

[21] Appl. No.: **12,488**

[22] Filed: **Sep. 1, 1993**

[52] U.S. Cl. .... **D24/174**

[58] Field of Search ..... **D24/174, 173; 381/68.7, 381/68.6, 68, 69, 60**

[56] **References Cited**

**U.S. PATENT DOCUMENTS**

4,109,116	8/1978	Victoreen	.....	381/68
4,689,819	8/1987	Killion	.....	381/68.6 X
5,193,116	3/1993	Mostardo	.....	381/68.6 X

*Primary Examiner*—Stella Reid

*Attorney, Agent, or Firm*—Wallenstein & Wagner, Ltd.

[57] **CLAIM**

The ornamental design for a hearing aid receiver, as shown and described.

**DESCRIPTION**

FIG. 1 is a perspective view of the hearing aid receiver incorporating my new design;

FIG. 2 is a front elevational view thereof;

FIG. 3 is a rear elevational view thereof;

FIG. 4 is a side elevational view thereof, the opposite side being identical; and,

FIG. 5 is a top view thereof, and the bottom view being the same.

The broken line showing in FIGS. 1 and 2 is for illustrative purposes only and forms no part of the claimed design.

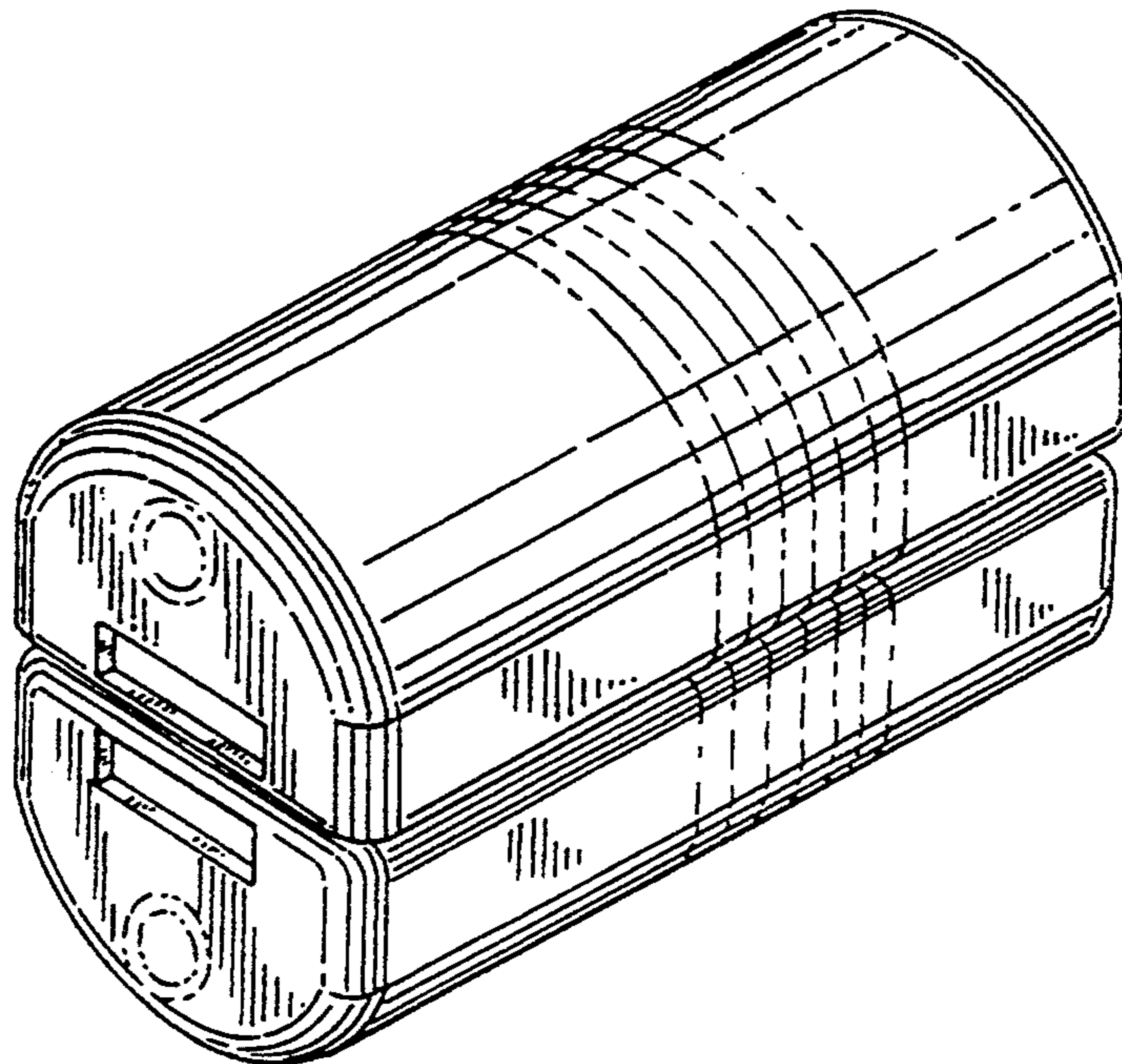


FIG. 1

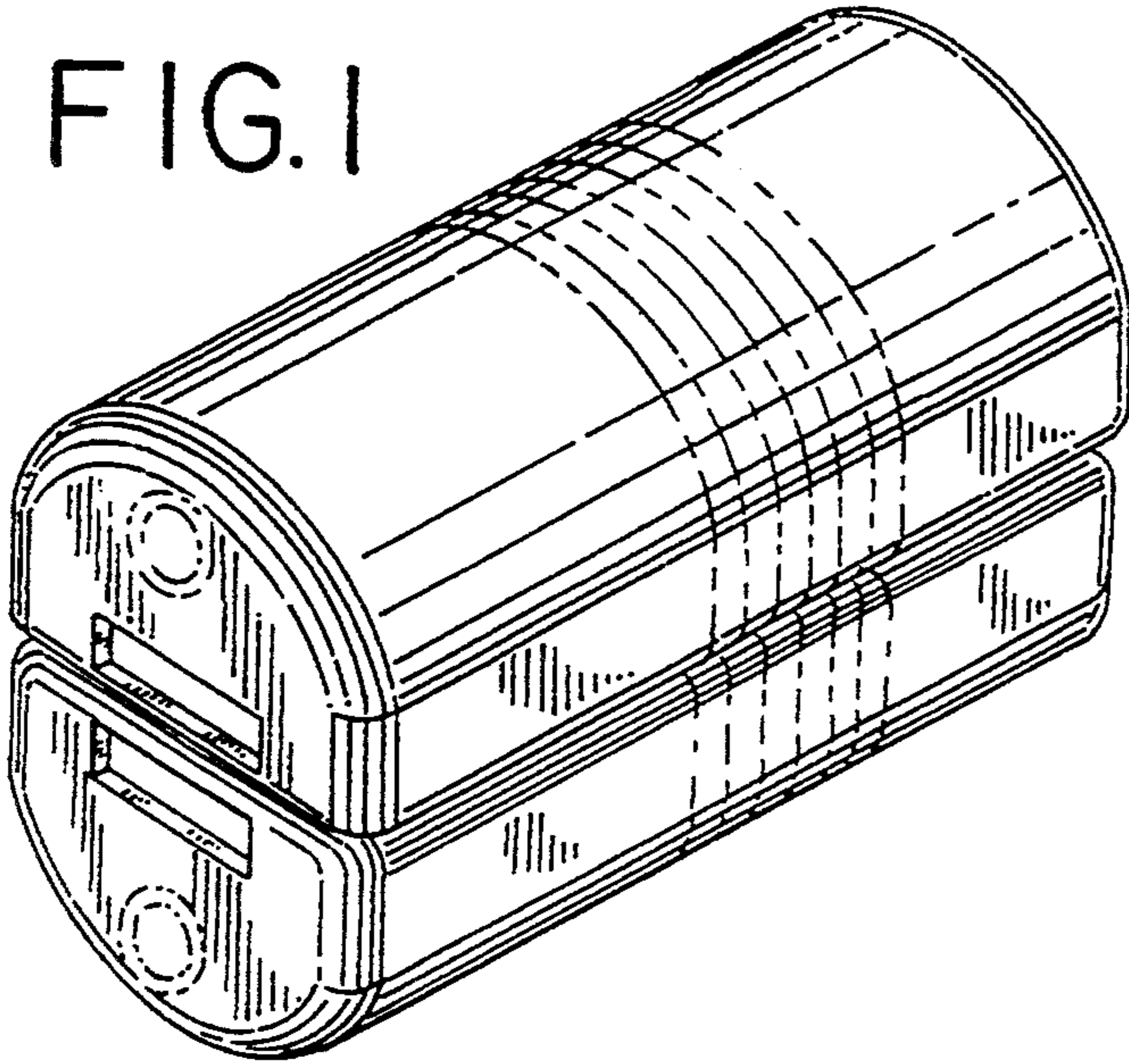


FIG. 2

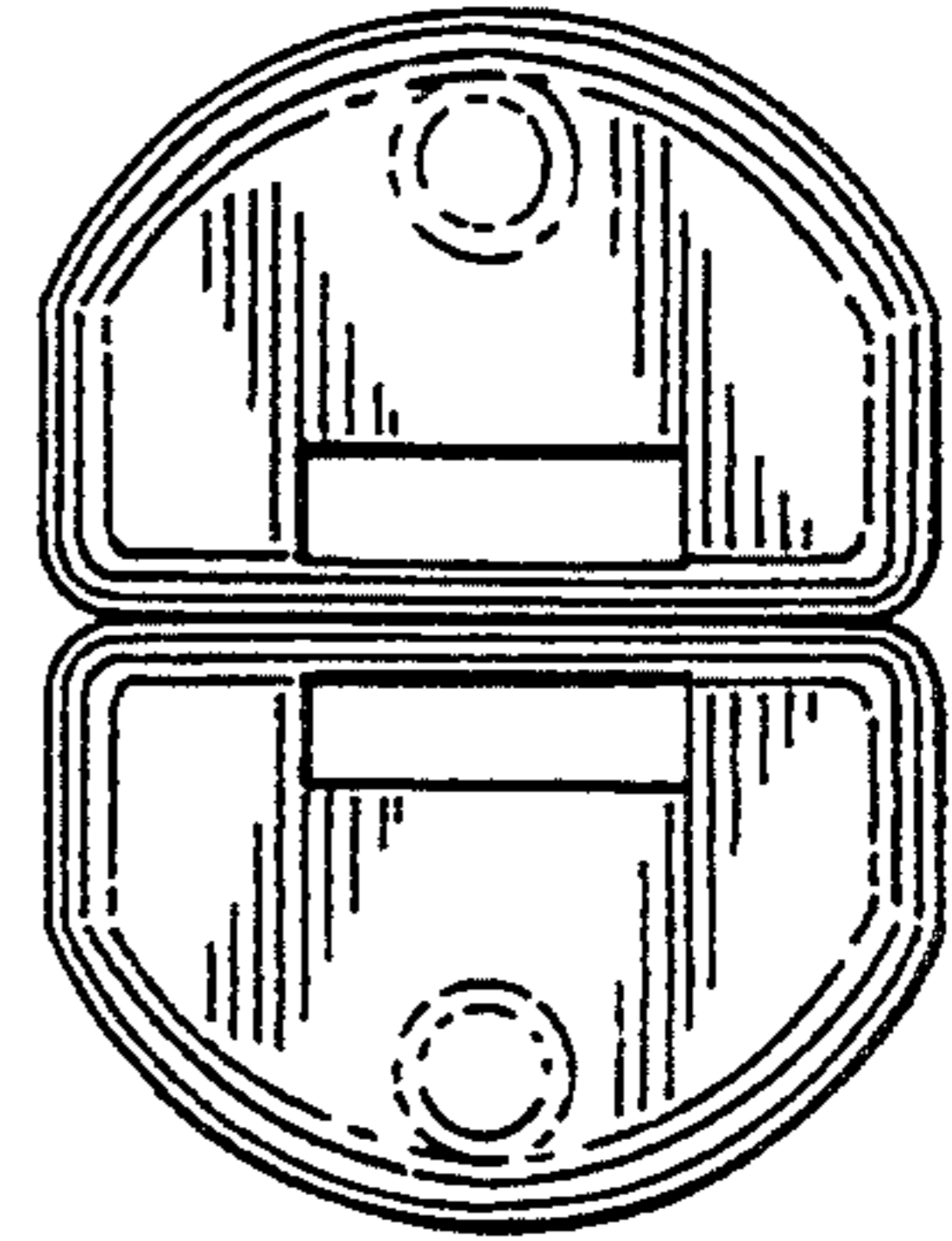


FIG. 3

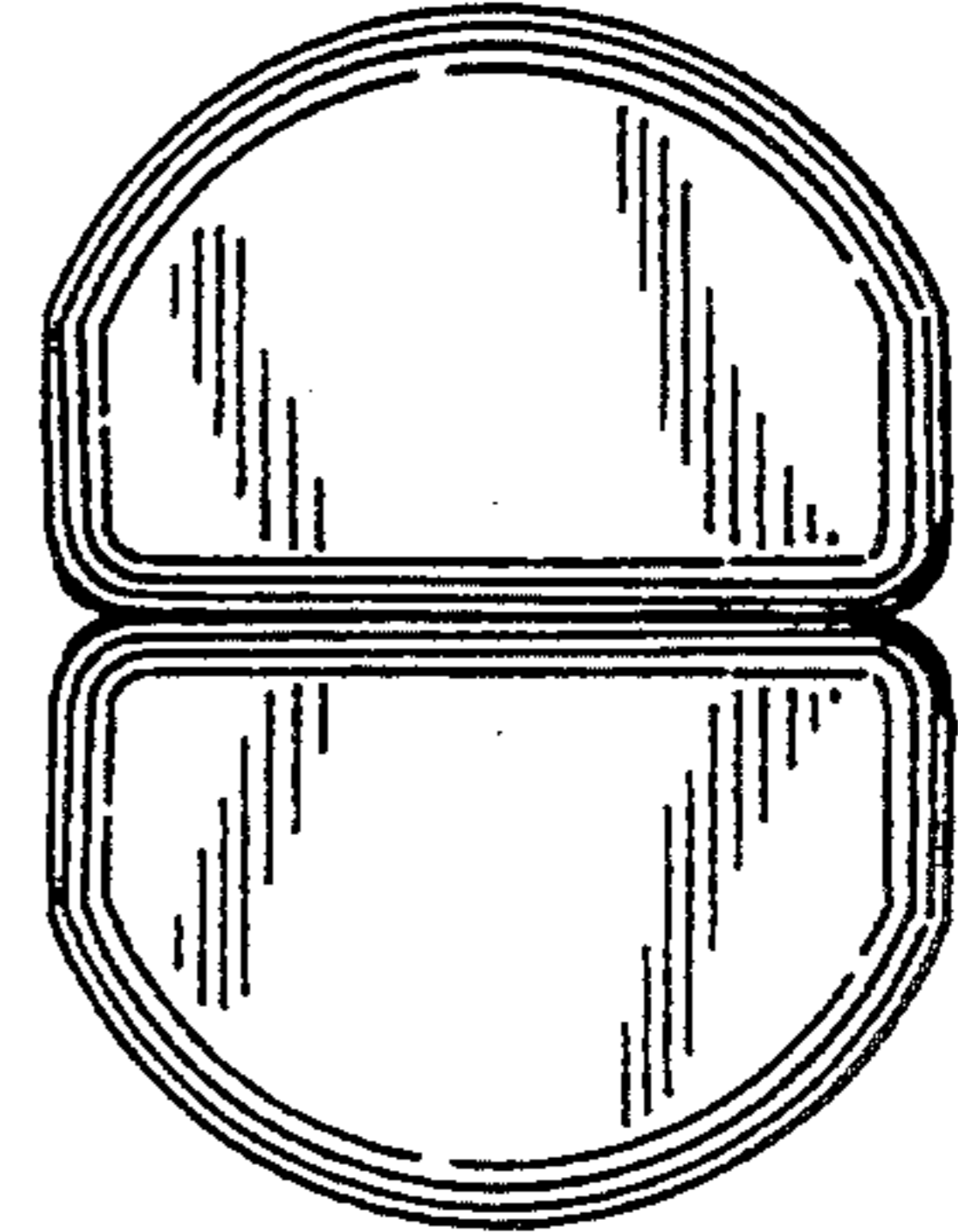


FIG. 5

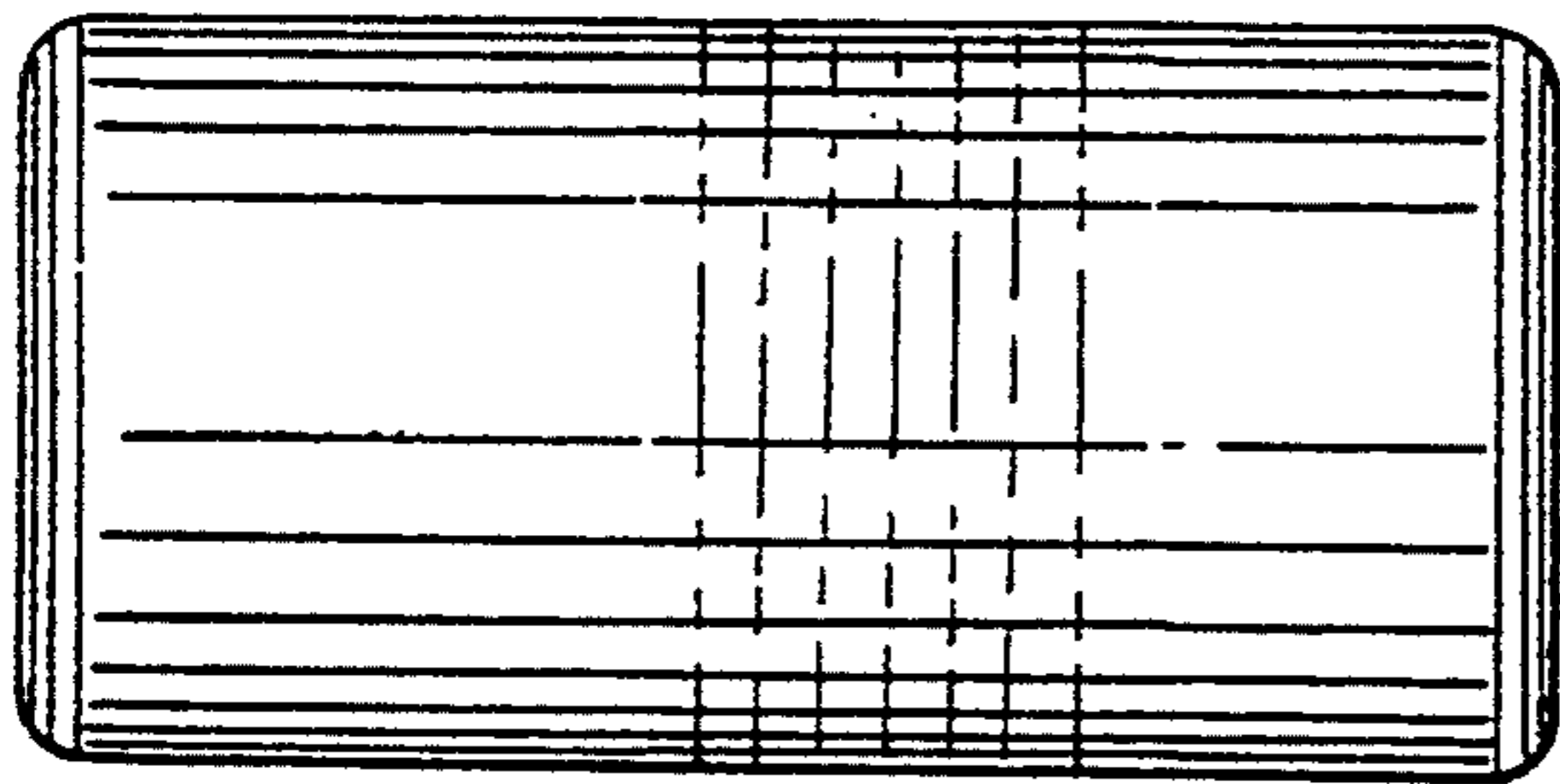


FIG. 4

