



US00D360948S

# United States Patent [19]

[11] Patent Number: **Des. 360,948**

**Mostardo**

[45] Date of Patent: **\*\* Aug. 1, 1995**

[54] HEARING AID RECEIVER

[56] References Cited

[75] Inventor: **August F. Mostardo**, Norridge, Ill.

### U.S. PATENT DOCUMENTS

4,109,116	8/1978	Victoreen .....	381/68
4,689,819	8/1987	Killion .....	381/68.6 X
5,193,116	3/1993	Mostardo .....	381/68.6 X

[73] Assignee: **Knowles Electronics, Inc.**, Itasca, Ill.

*Primary Examiner*—Stella Reid  
*Attorney, Agent, or Firm*—Wallenstein & Wagner, Ltd.

[\*] Notice: The portion of the term of this patent subsequent to Jul. 25, 2009 has been disclaimed.

[57] CLAIM

The ornamental design for a hearing aid receiver, as shown and received.

[\*\*] Term: **14 Years**

### DESCRIPTION

[21] Appl. No.: **12,486**

FIG. 1 is a perspective view of the hearing aid receiver incorporating my new design;  
 FIG. 2 is a front elevational view thereof;  
 FIG. 3 is a rear elevational view thereof;  
 FIG. 4 is a side elevational view thereof, the opposite side being identical;  
 FIG. 5 is a top view thereof; and,  
 FIG. 6 is a bottom view thereof.

[22] Filed: **Sep. 1, 1993**

[52] U.S. Cl. .... **D24/174**

[58] Field of Search ..... **D24/174, 173; 381/68.7, 381/68.6, 68, 69, 60**

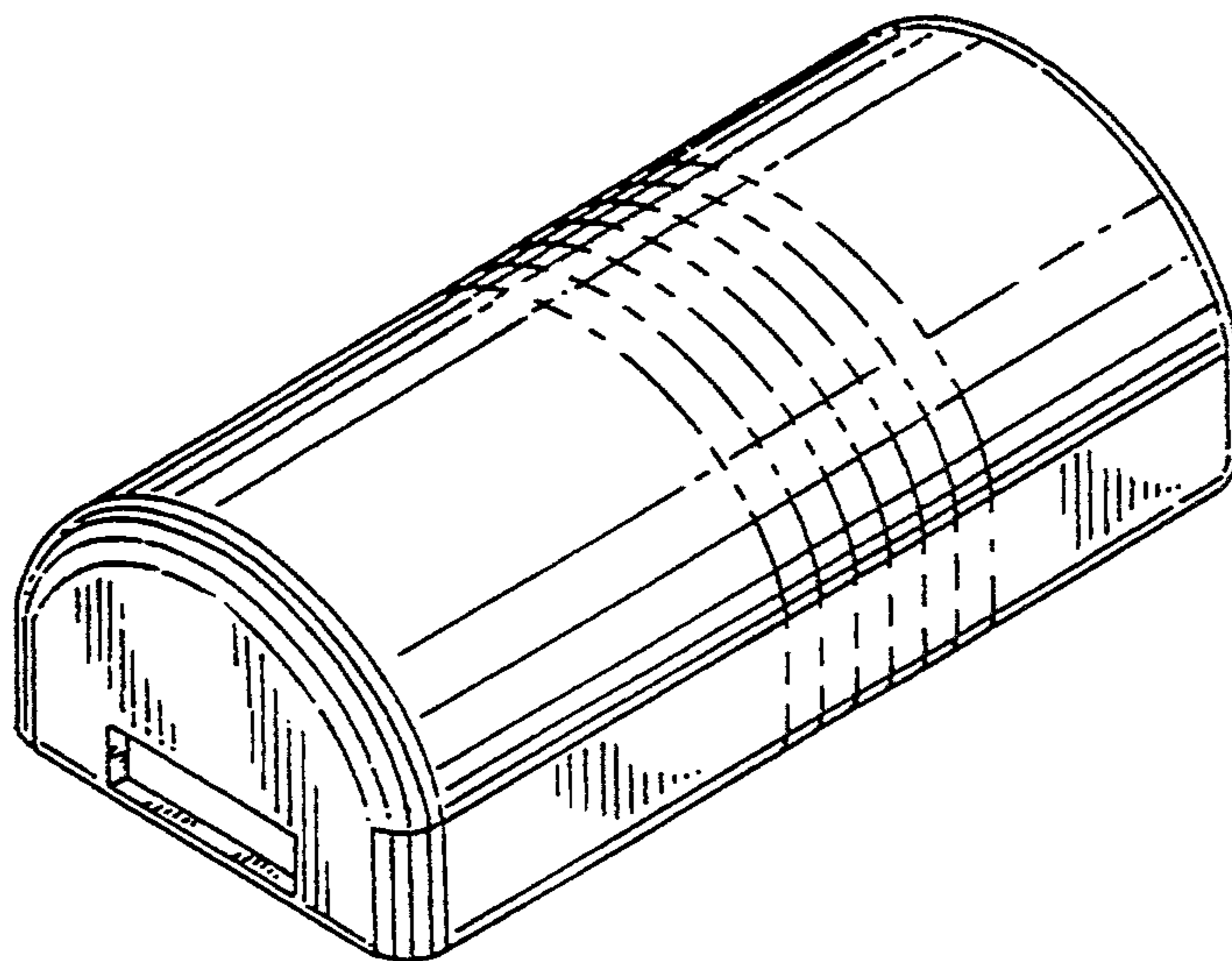


FIG. 1

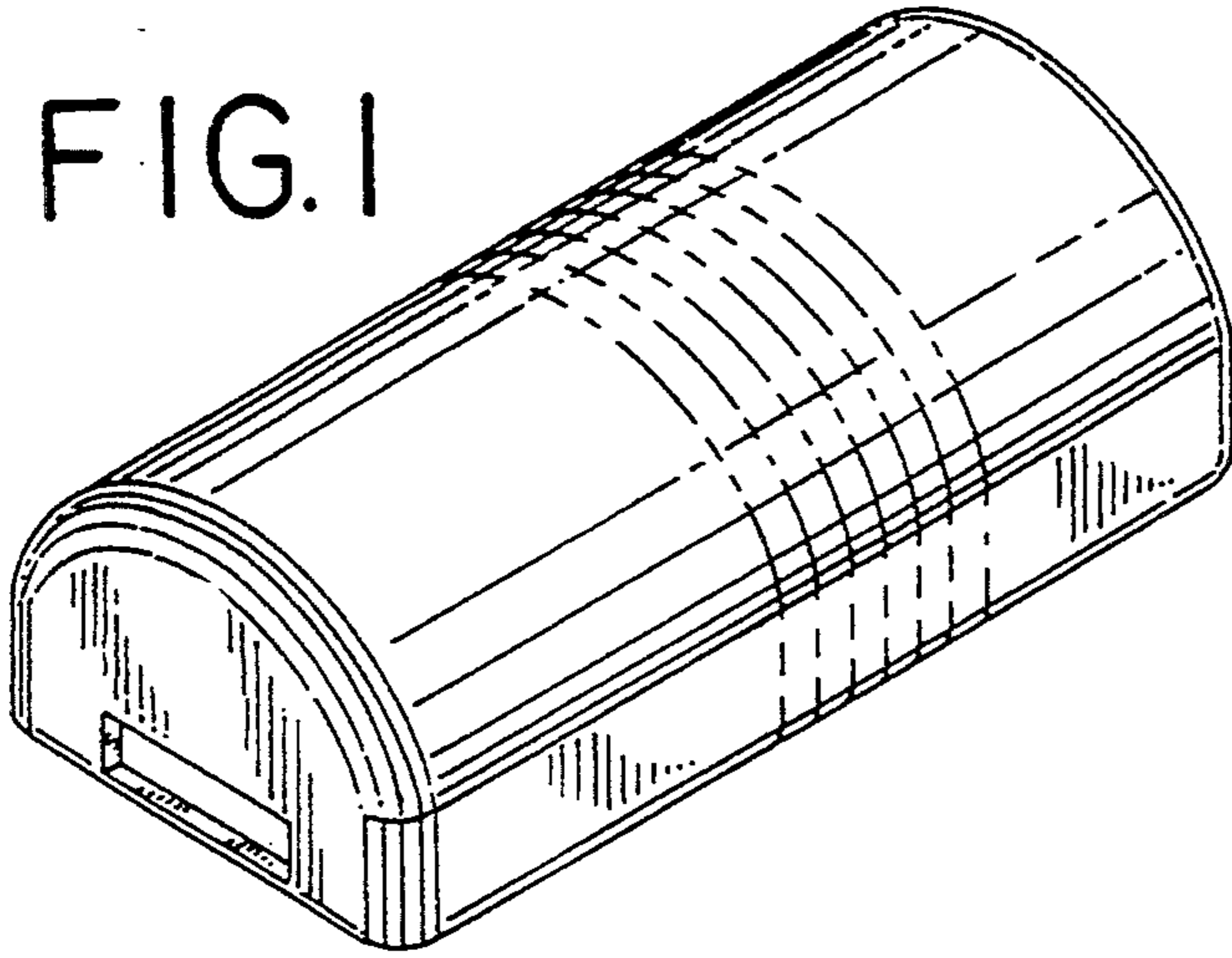


FIG. 2

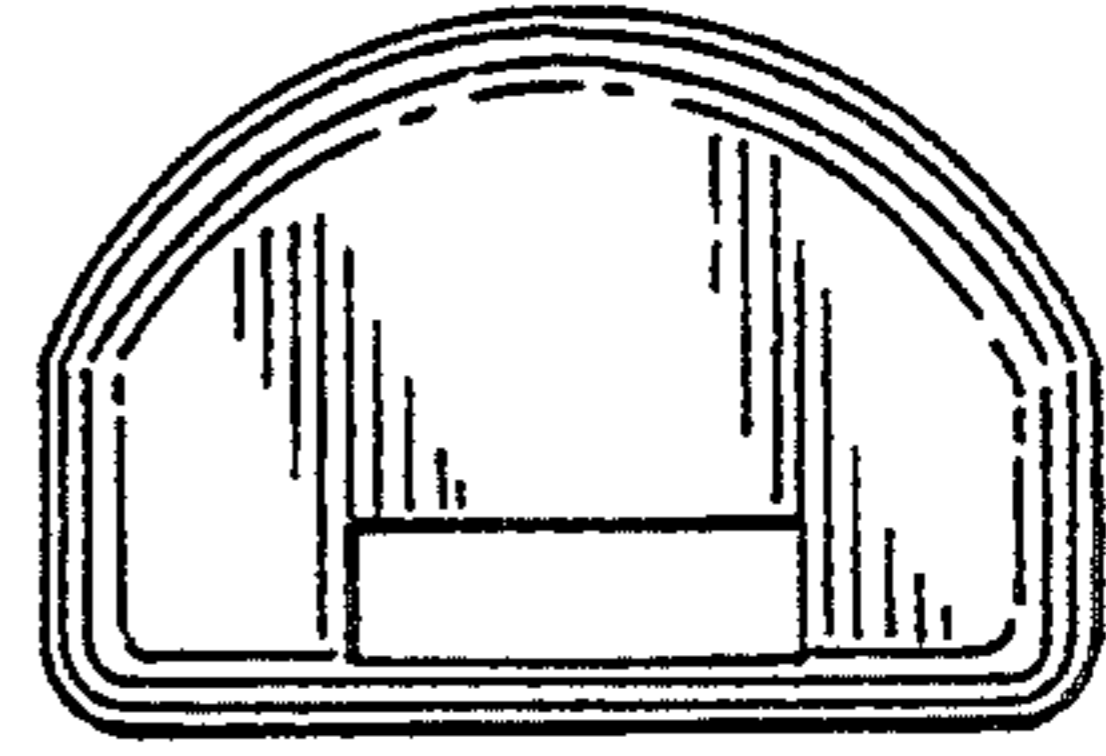


FIG. 3

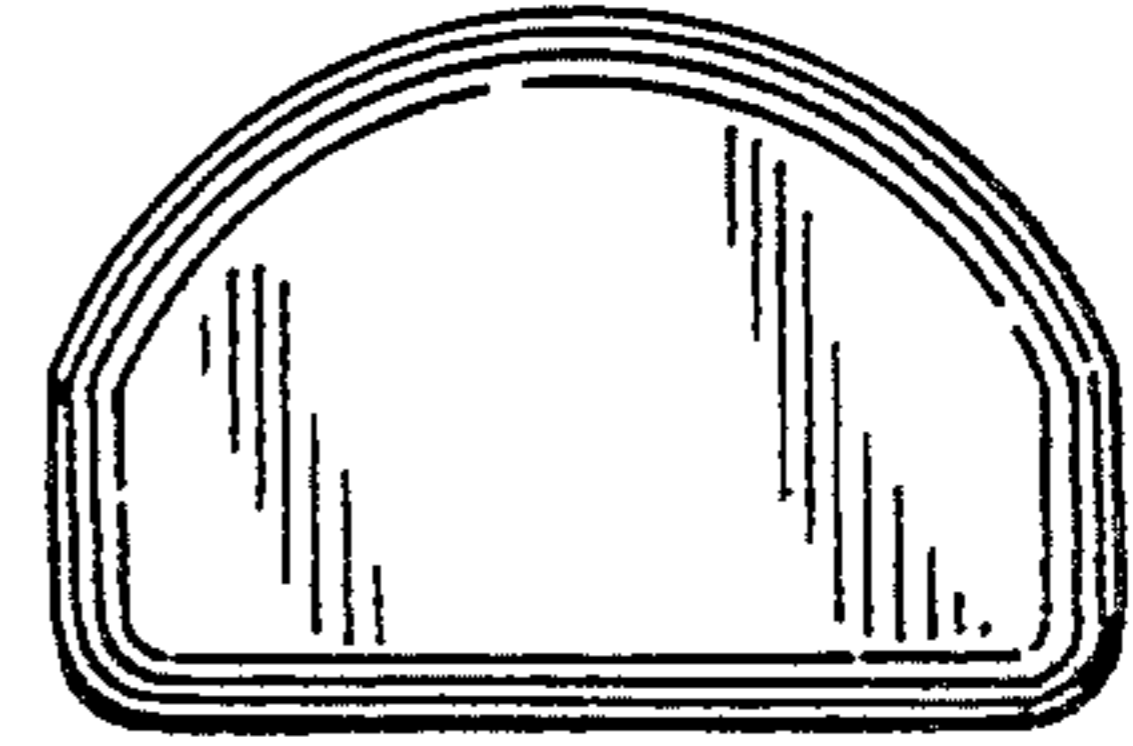


FIG. 4

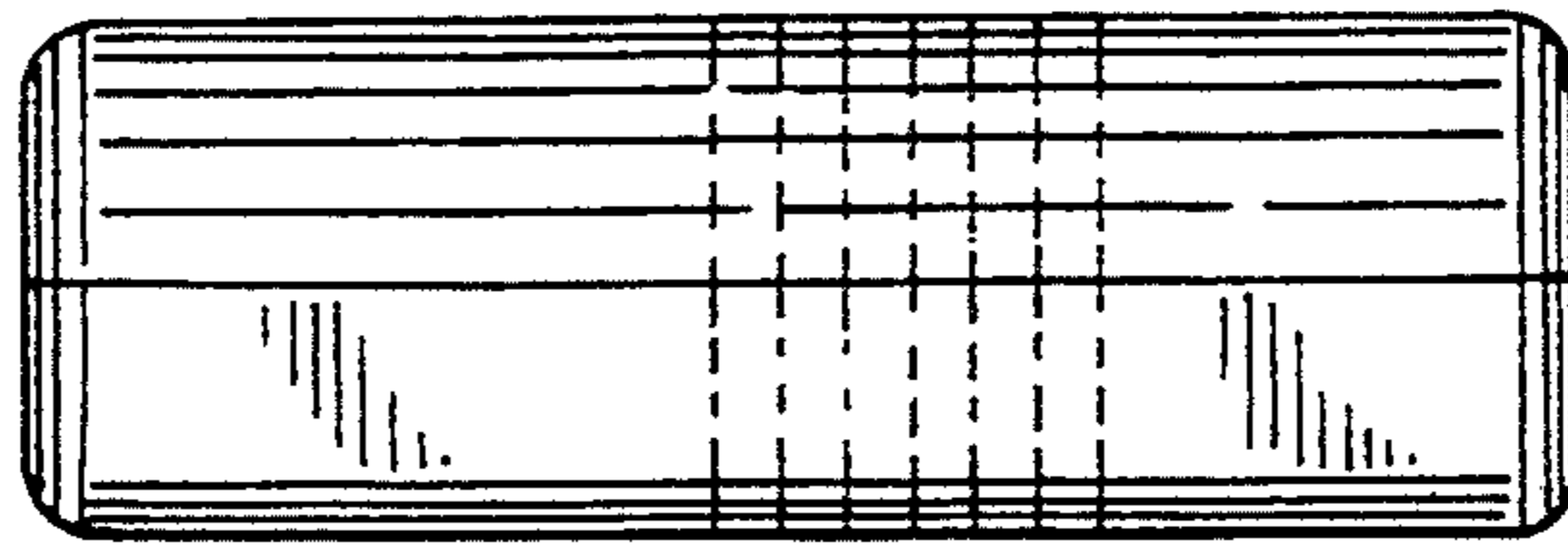


FIG. 5

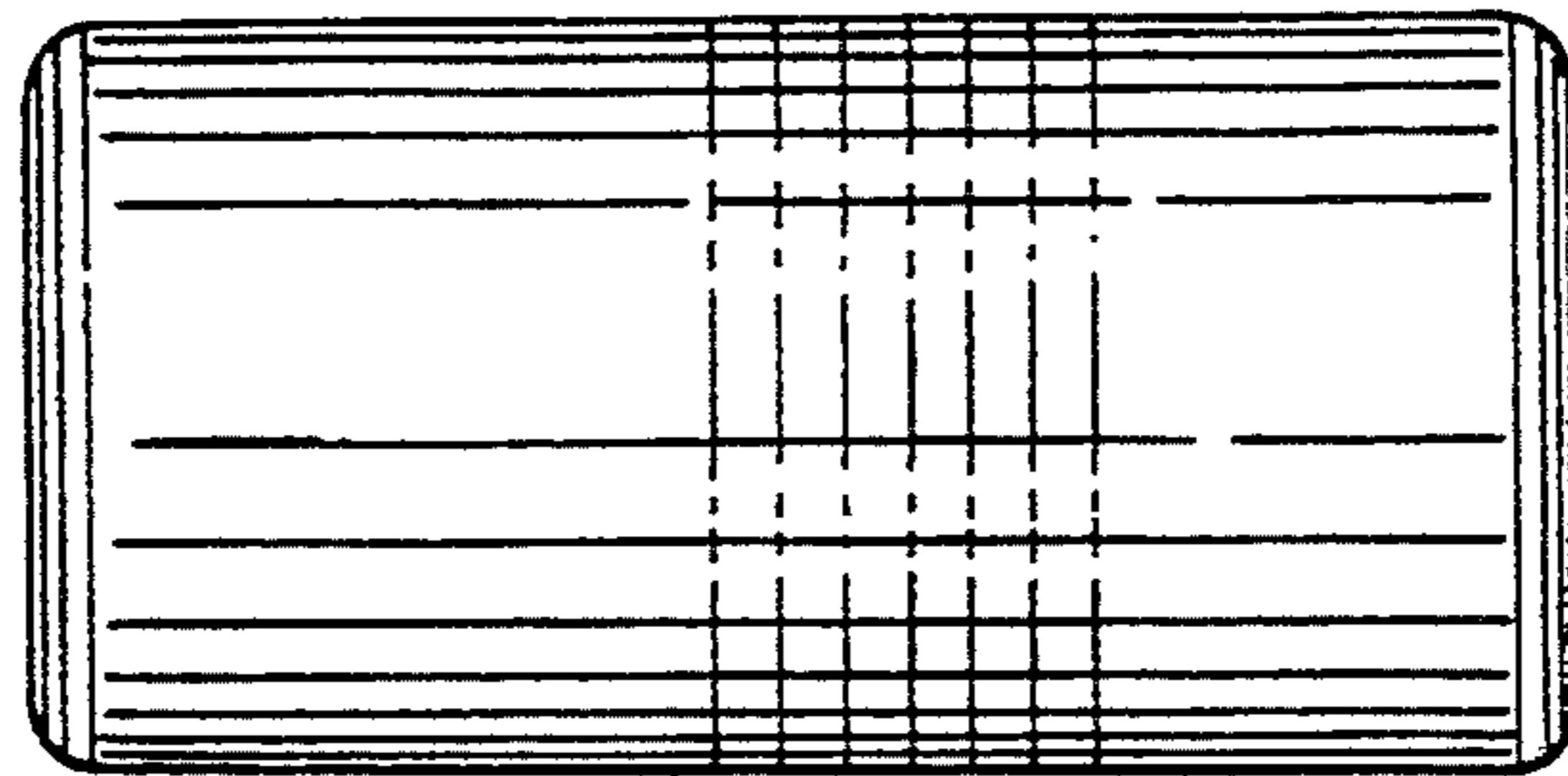


FIG. 6

