



US00D360947S

United States Patent [19]

[11] Patent Number: **Des. 360,947**

Saks-Cohan

[45] Date of Patent: **** Aug. 1, 1995**

[54] **MAMMOGRAPHY IMAGING MACHINE**

[76] Inventor: **Jane Saks-Cohan**, 7 The Cloisters, 11 Salem Road, London W2 4DL, Great Britain

[**] Term: **14 Years**

[21] Appl. No.: **16,074**

[22] Filed: **Dec. 6, 1993**

[52] U.S. Cl. **D24/158**

[58] Field of Search **D24/158; 378/153, 155, 378/37, 21, 145, 208, 209, 180**

[56] **References Cited**

U.S. PATENT DOCUMENTS

- D. 315,207 3/1991 Korvenmaa D24/158
- D. 331,110 11/1992 Virta et al. D24/158
- 4,901,335 2/1990 Ferlic et al. 378/155 X
- 4,979,196 12/1990 Lieutaud et al. 378/37

Primary Examiner—Stella Reid
Attorney, Agent, or Firm—D. Peter Hochberg; Mark Kusner; Michael Jaffe

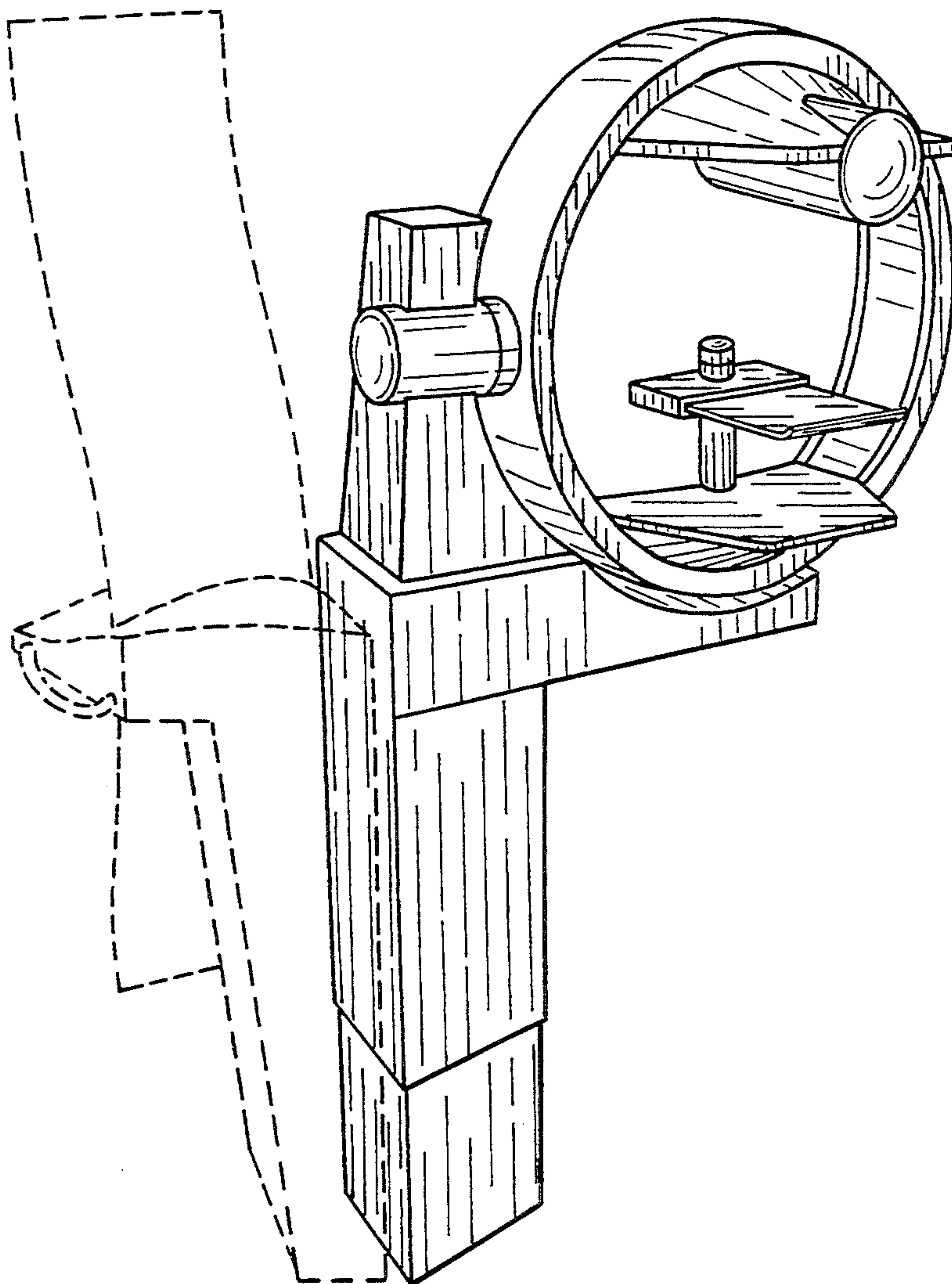
[57] **CLAIM**

The ornamental design for a mammography imaging machine, as shown and described.

DESCRIPTION

FIG. 1 is a perspective view of a mammography imaging machine, showing my new design;
 FIG. 2 is a top plan view thereof;
 FIG. 3 is a front elevational view thereof;
 FIG. 4 is a left side elevational view thereof;
 FIG. 5 is a right side elevational view thereof;
 FIG. 6 is a rear elevational view thereof;
 FIG. 7 is a bottom plan view thereof; and,
 FIG. 8 is a view similar to FIG. 5 shown in an alternate position.

The broken line showing in FIG. 1 is for illustrative purposes and forms no part of the claimed design.



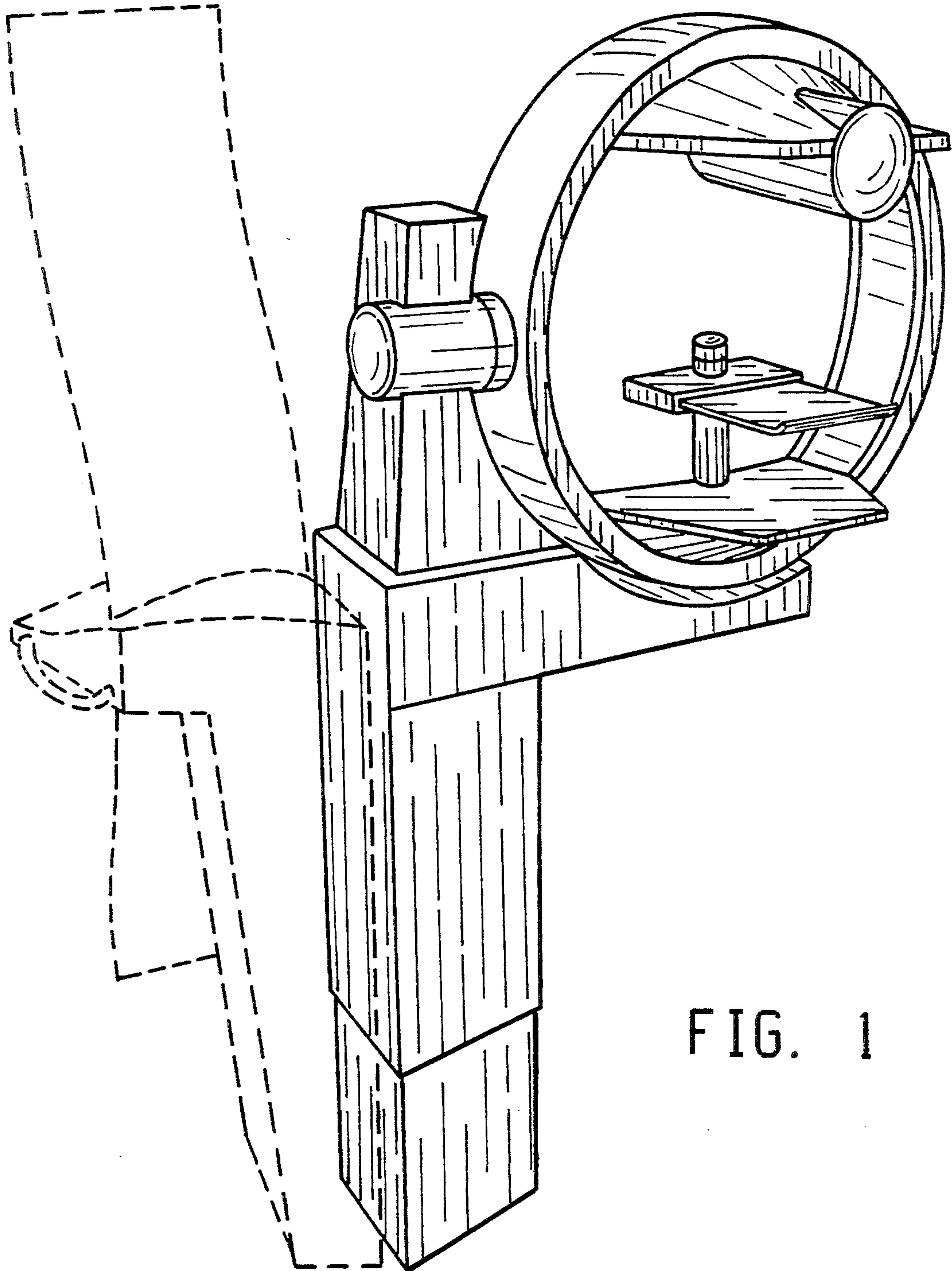


FIG. 1

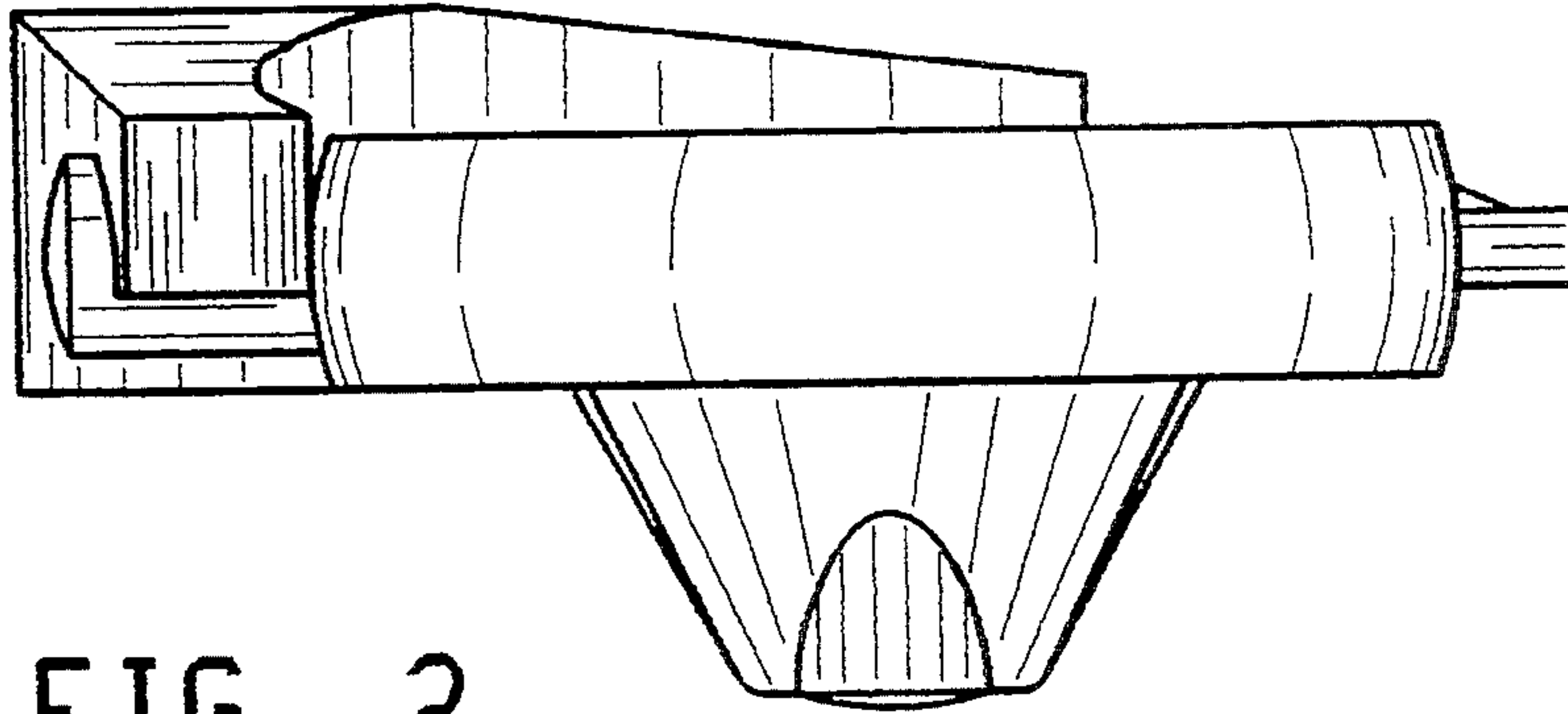


FIG. 2

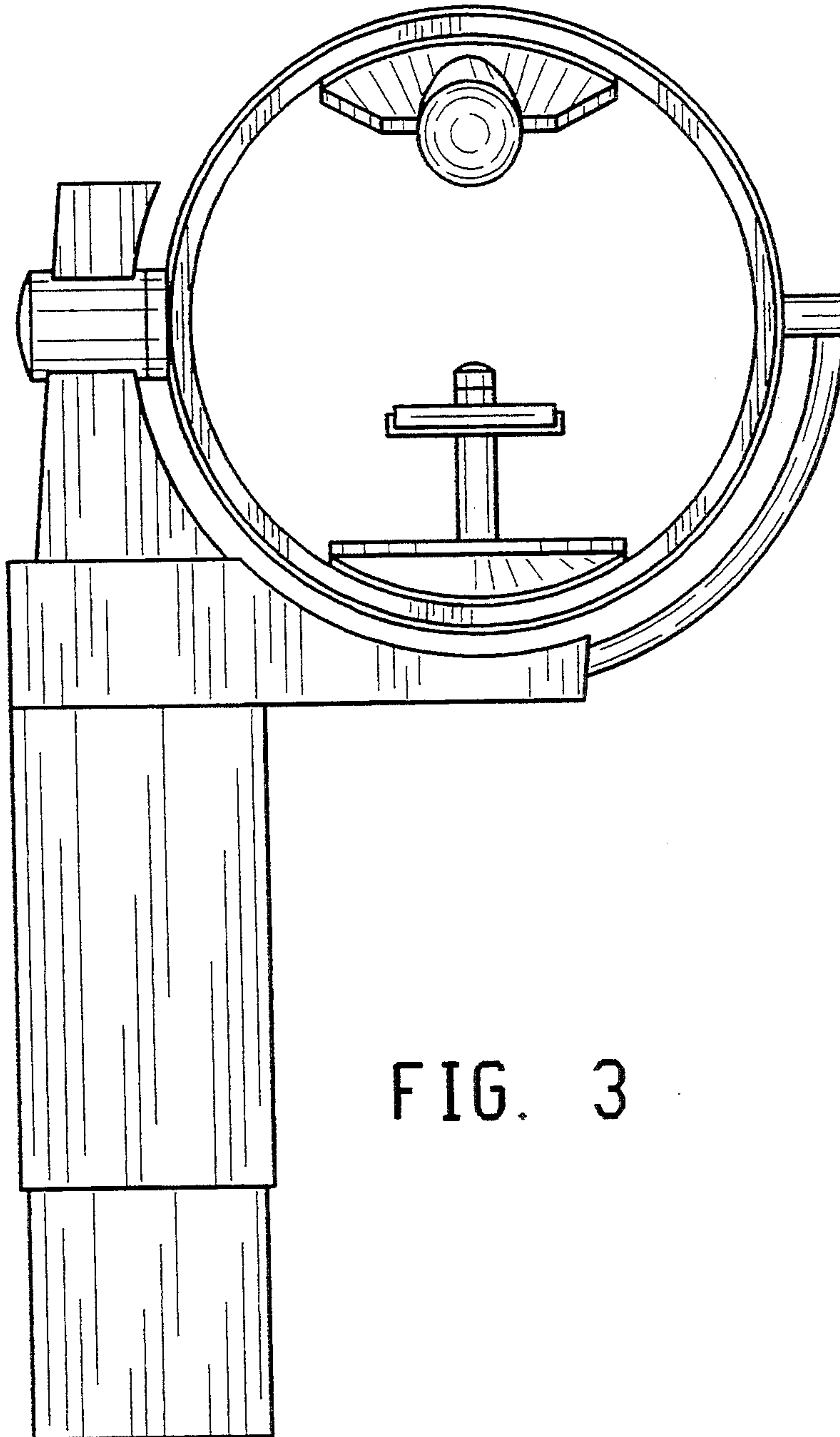


FIG. 3

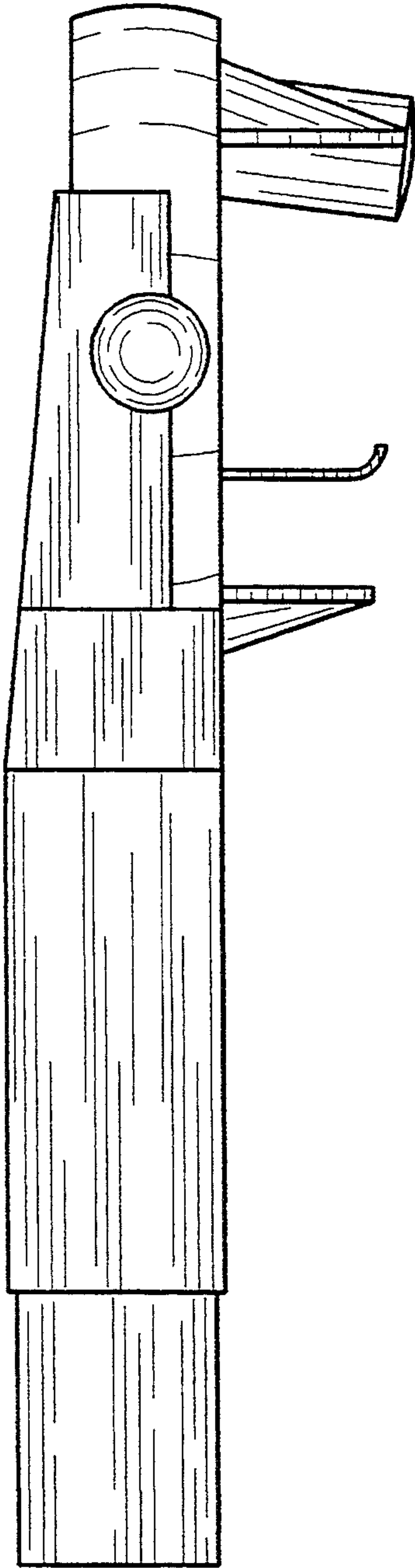


FIG. 4

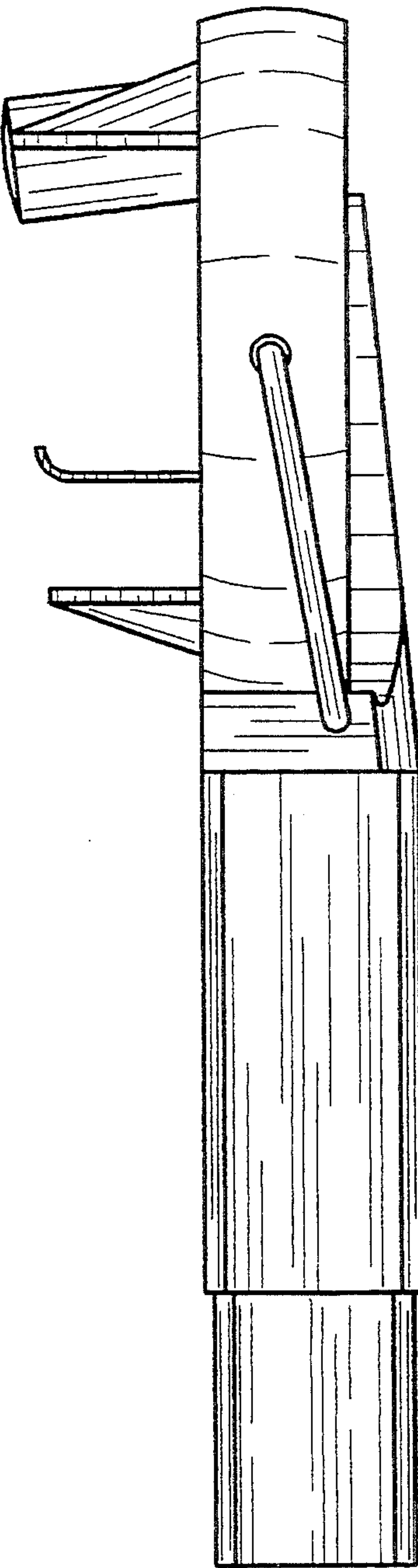


FIG. 5

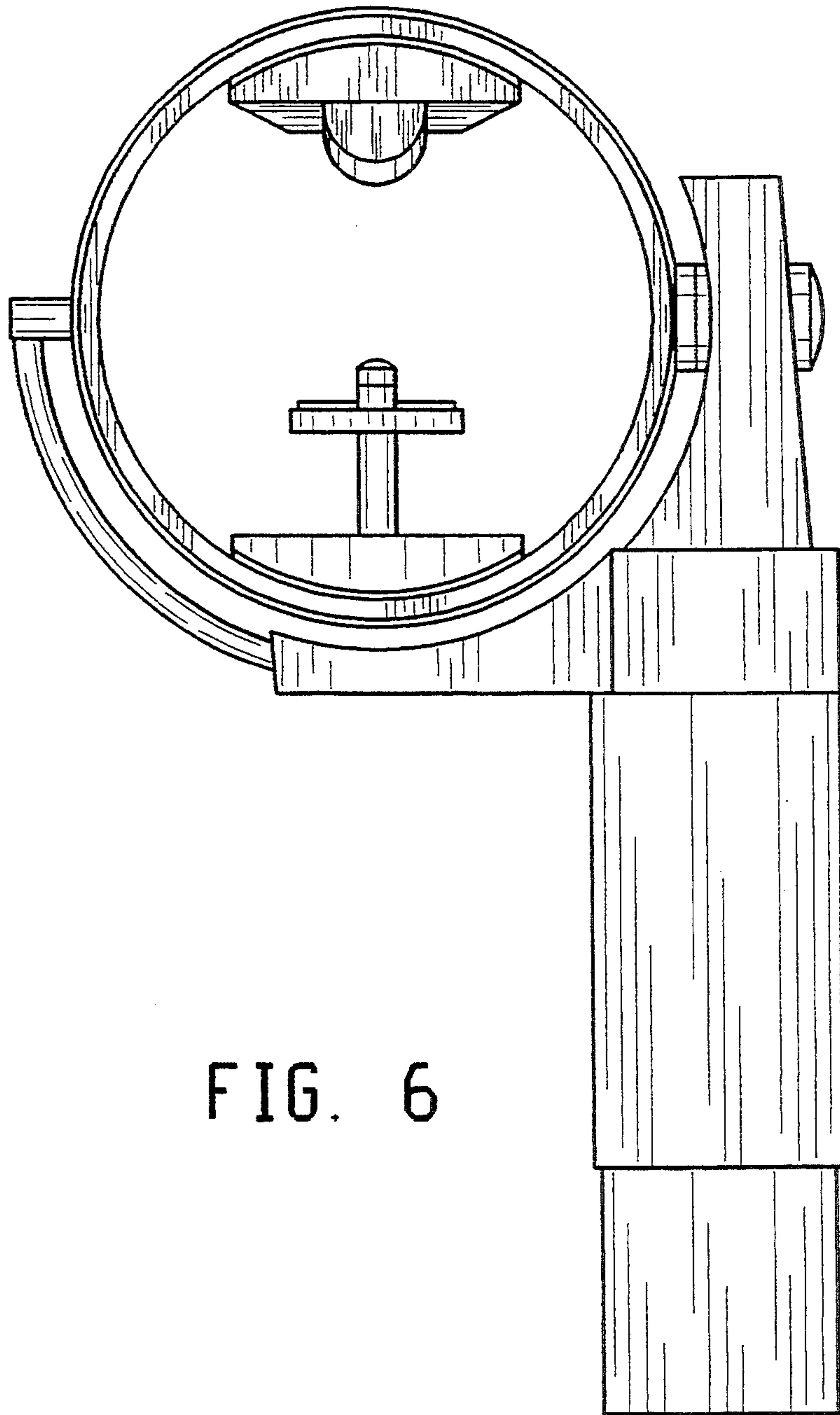


FIG. 6

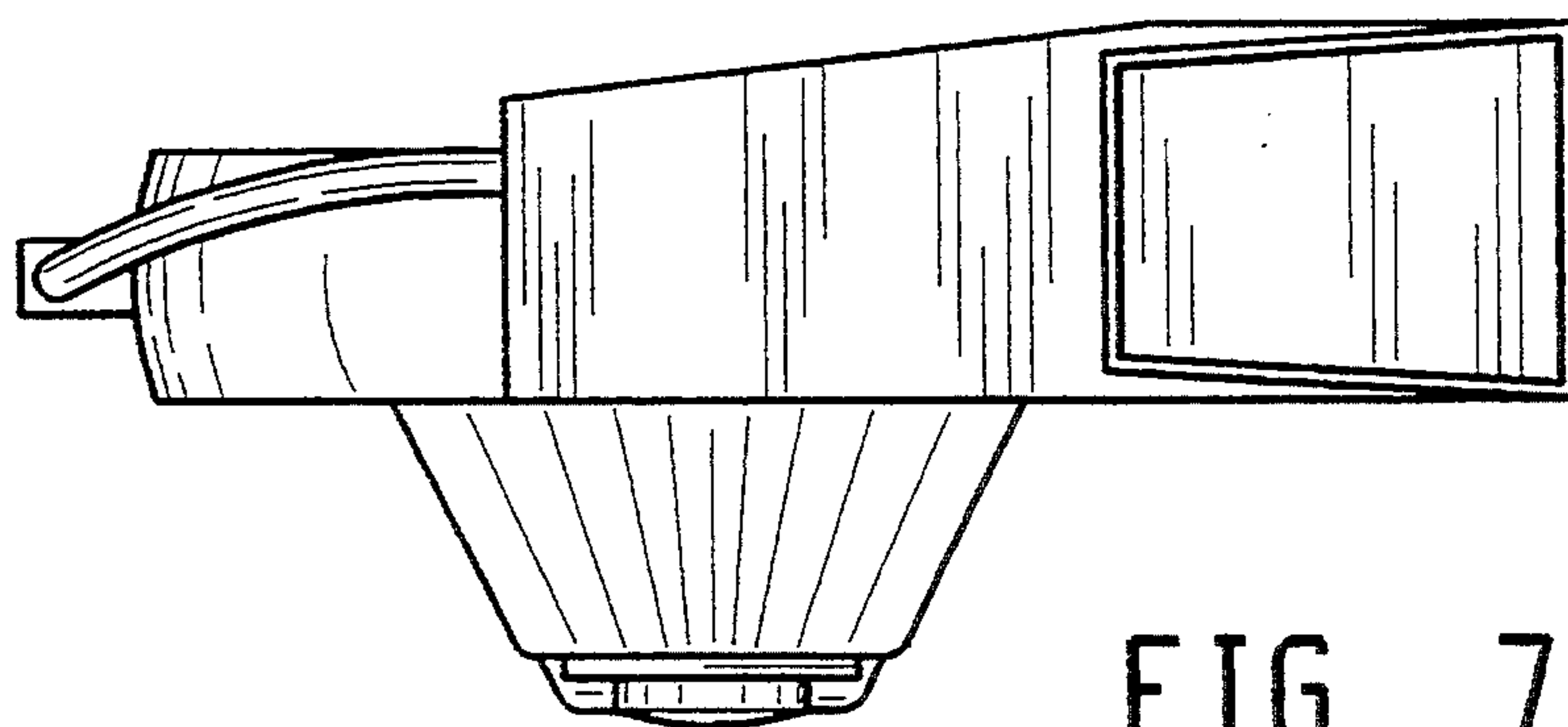


FIG. 7

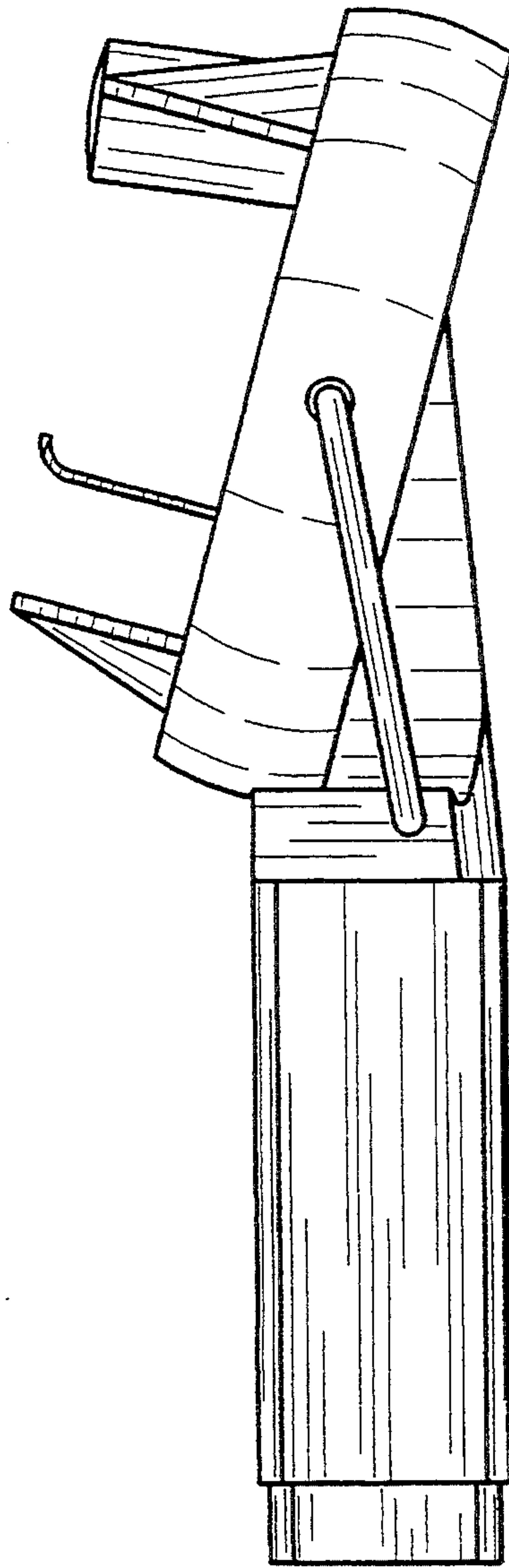


FIG. 8