



US00D360943S

United States Patent [19]

[11] Patent Number: **Des. 360,943**

Lafond: André

[45] Date of Patent: **** Aug. 1, 1995**

[54] **CONTAINER**

[76] Inventor: **Lafond: André**, 970 Chemin des Patriotes, St-Hilaire, Quebec, Canada, J3G 4S5

[**] Term: **14 Years**

[21] Appl. No.: **18,698**

[22] Filed: **Feb. 14, 1994**

[30] **Foreign Application Priority Data**

Feb. 11, 1994 [CA] Canada 1994-0266

[52] U.S. Cl. **D24/122; D9/527; D9/547**

[58] **Field of Search** D9/527, 528, 526, 547, D9/447; D24/121, 122; 215/1 R, 1 C, 100 A; 220/771, 768; 128/760, 761; D23/202

[56] **References Cited**

U.S. PATENT DOCUMENTS

D. 194,486 1/1963 Hill D9/527
D. 214,995 8/1969 Shutt D9/527 X
D. 227,345 6/1973 Bell D9/527

D. 279,417 6/1985 Spencer D9/527 X
D. 305,504 1/1990 Fischee et al. D9/527 X
D. 340,518 10/1993 Stahmer, Jr. et al. D24/122

OTHER PUBLICATIONS

Container shaped brochure, published Jun. 3, 1993.

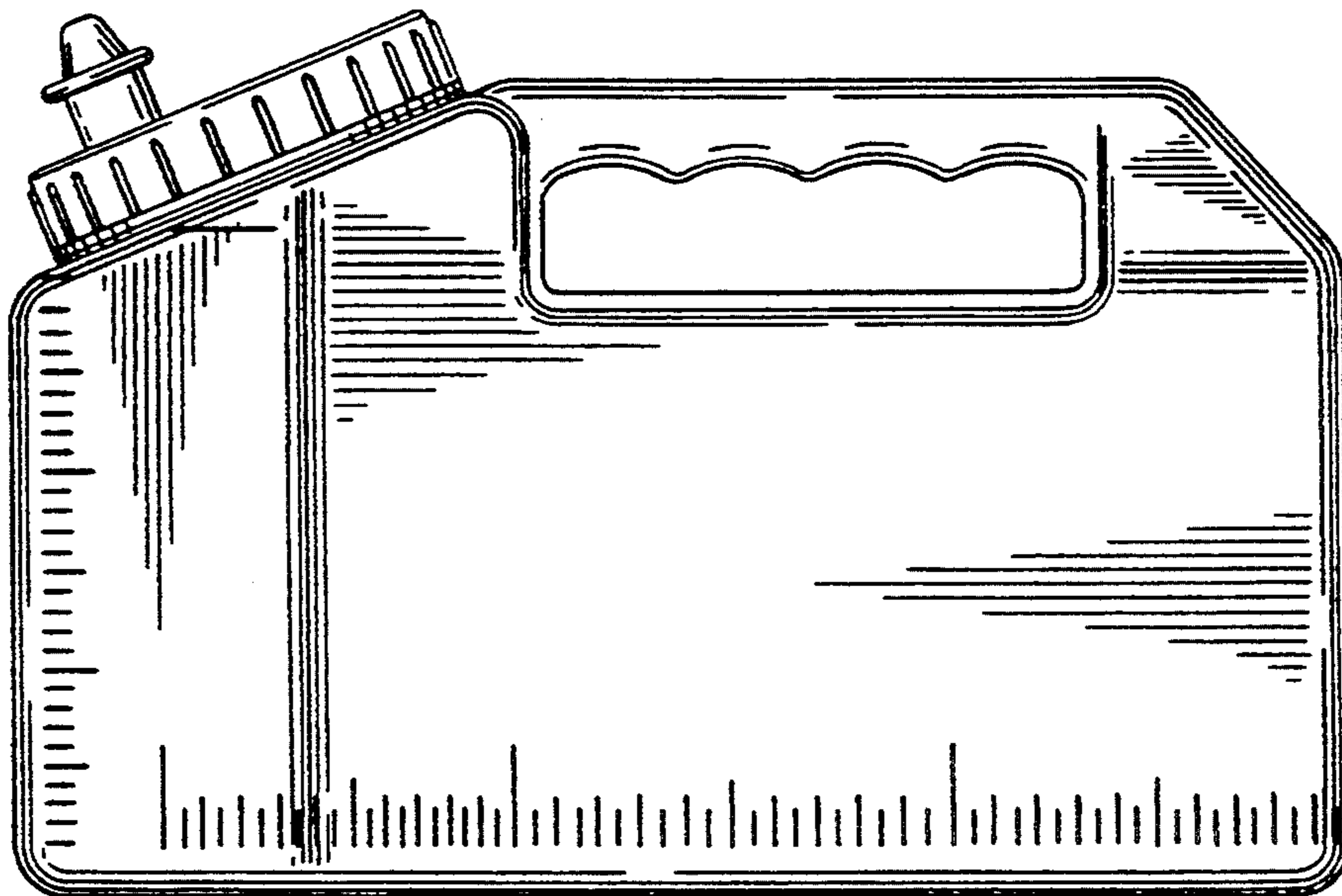
Primary Examiner—Lucy J. Lieberman
Attorney, Agent, or Firm—Ronald S. Kosie; Robert Brouillette

[57] **CLAIM**

The ornamental design for a container, as shown.

DESCRIPTION

FIG. 1 is a perspective view of the container;
FIG. 2 is a front view of the container of FIG. 1;
FIG. 3 is a right side elevation view of the container of FIG. 1;
FIG. 4 is a left side elevation view of the container of FIG. 1;
FIG. 5 is a top view of the container of FIG. 1;
FIG. 6 is a rear view of the container of FIG. 1; and,
FIG. 7 is a bottom view of the container of FIG. 1.



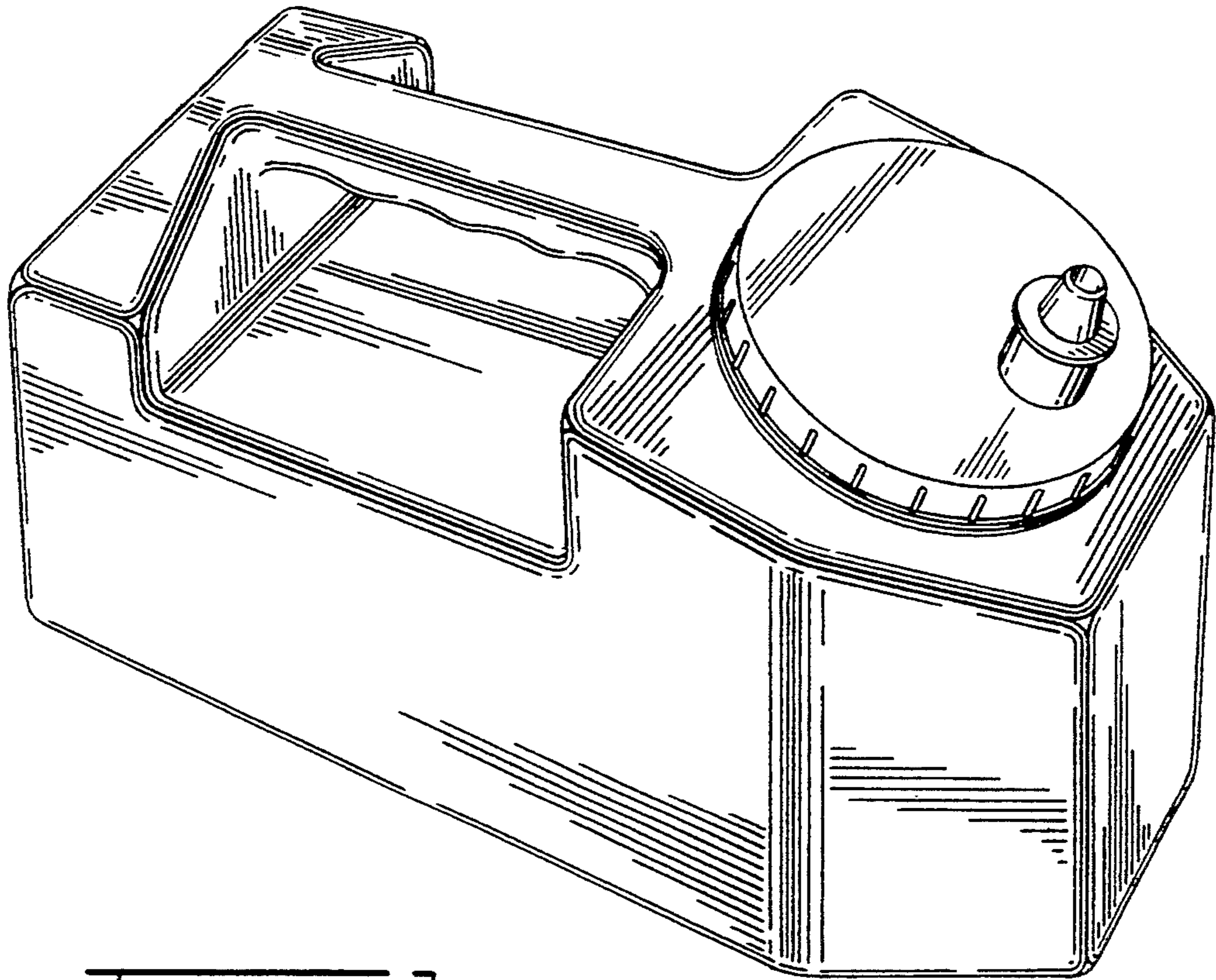


FIG. 1

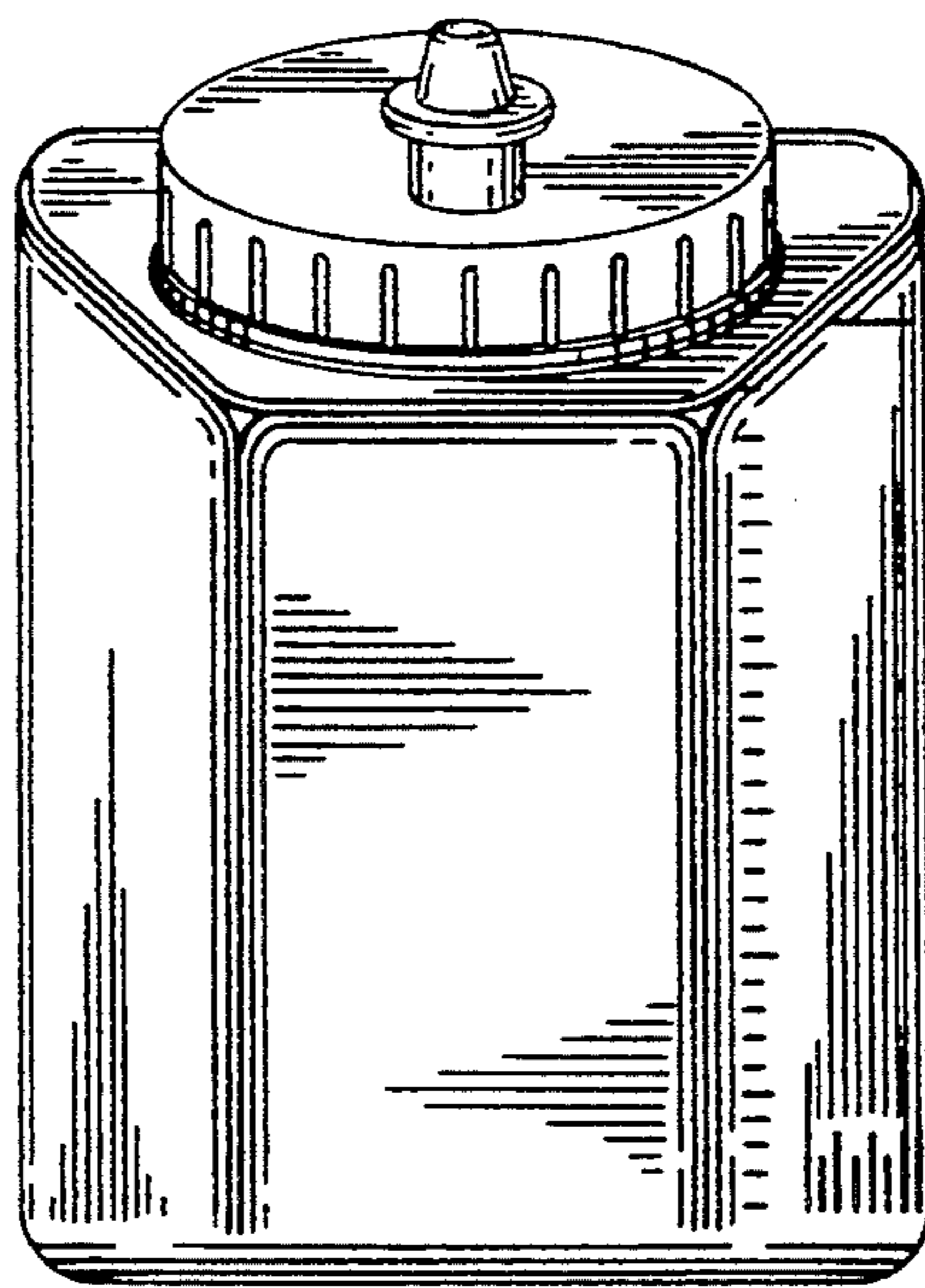


FIG. 2

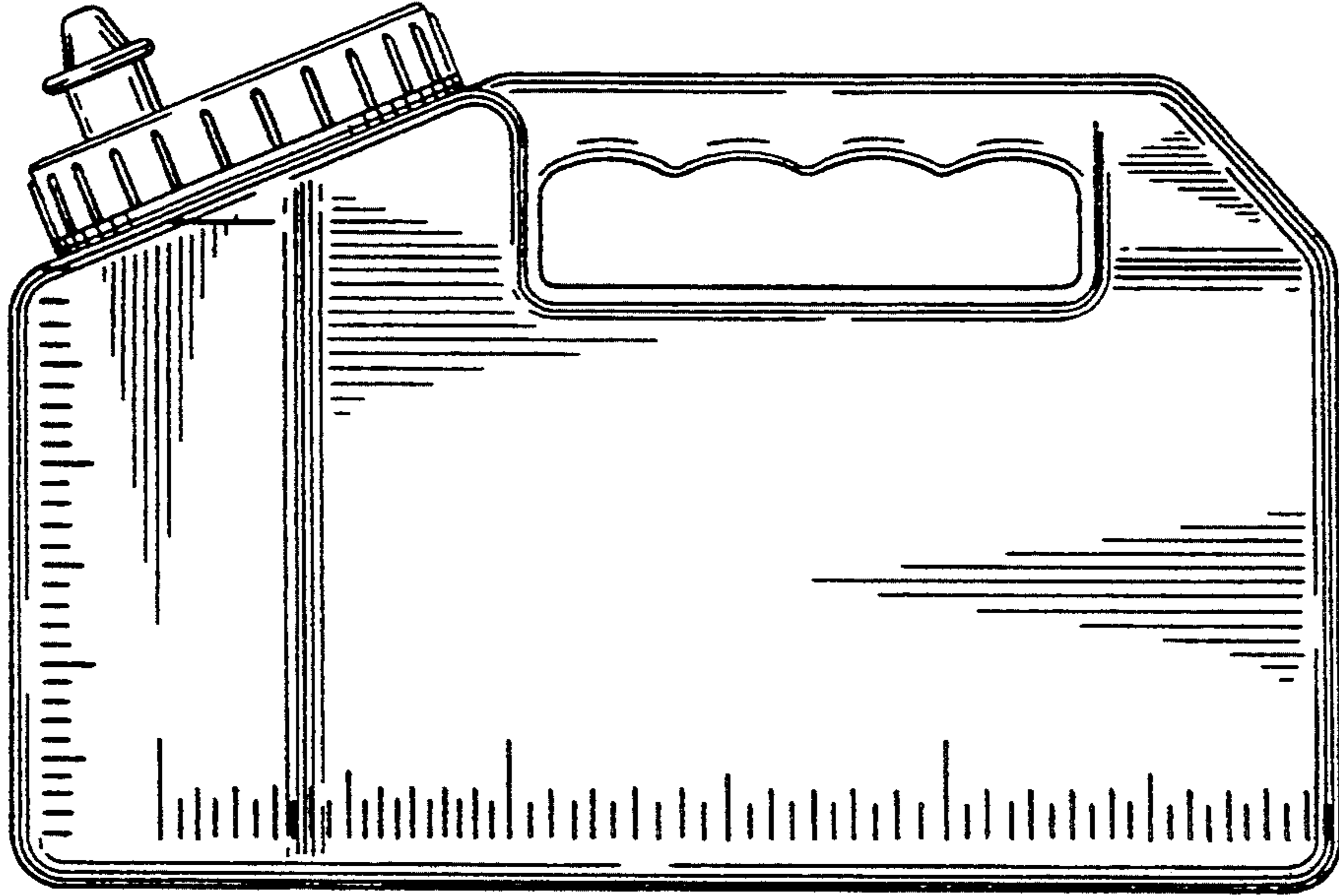


FIG. 3

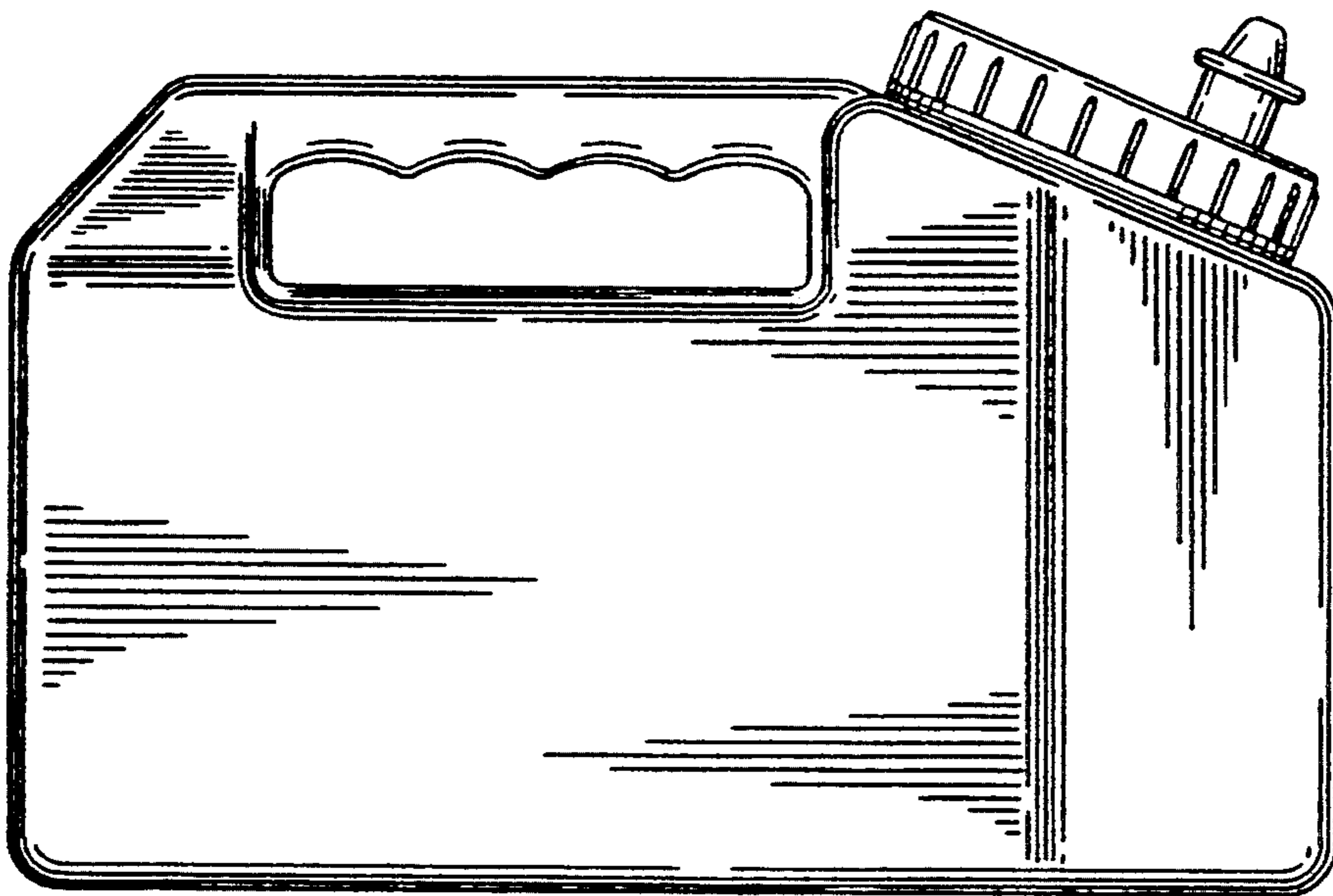


FIG. 4

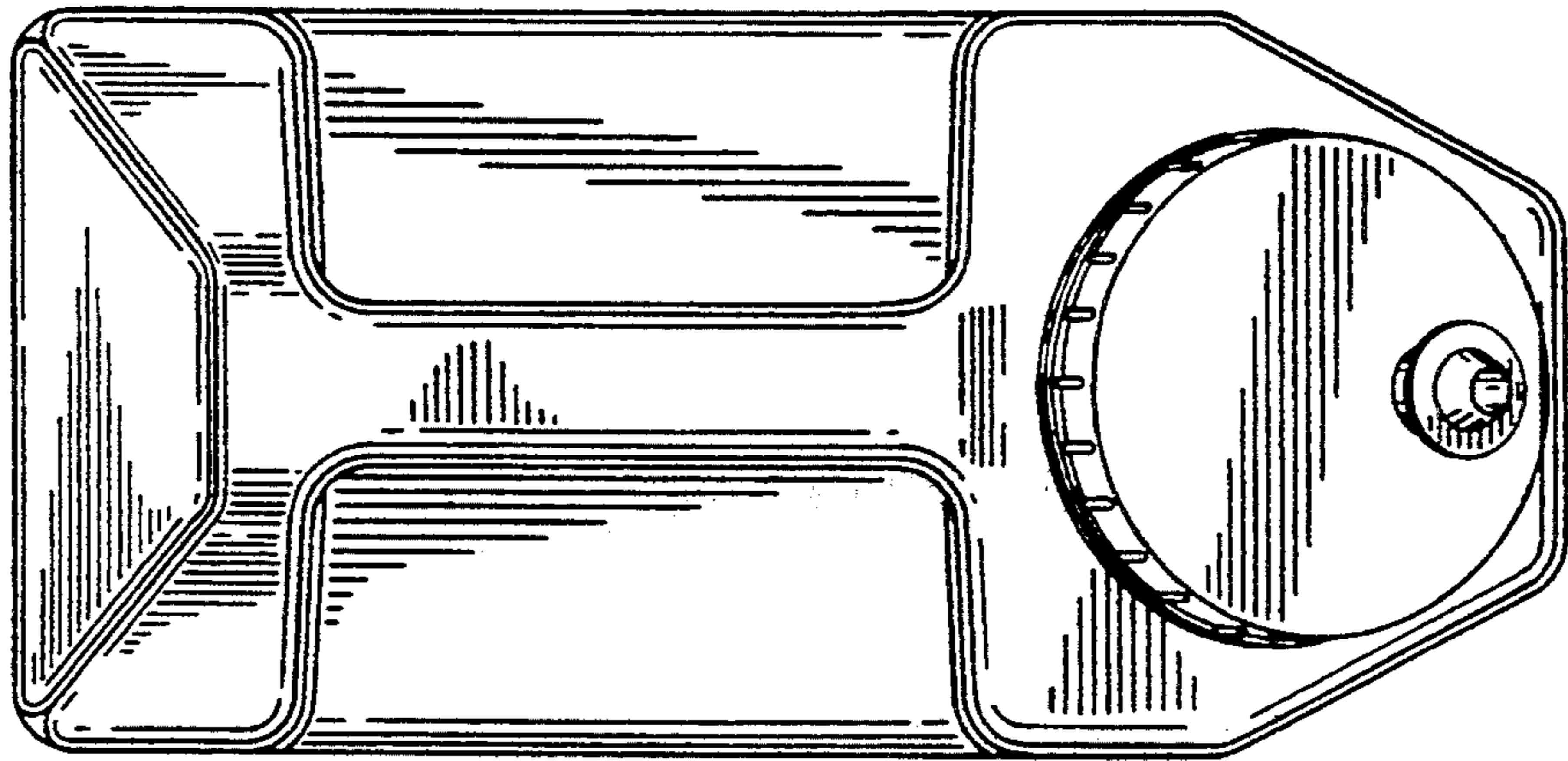


FIG. 5

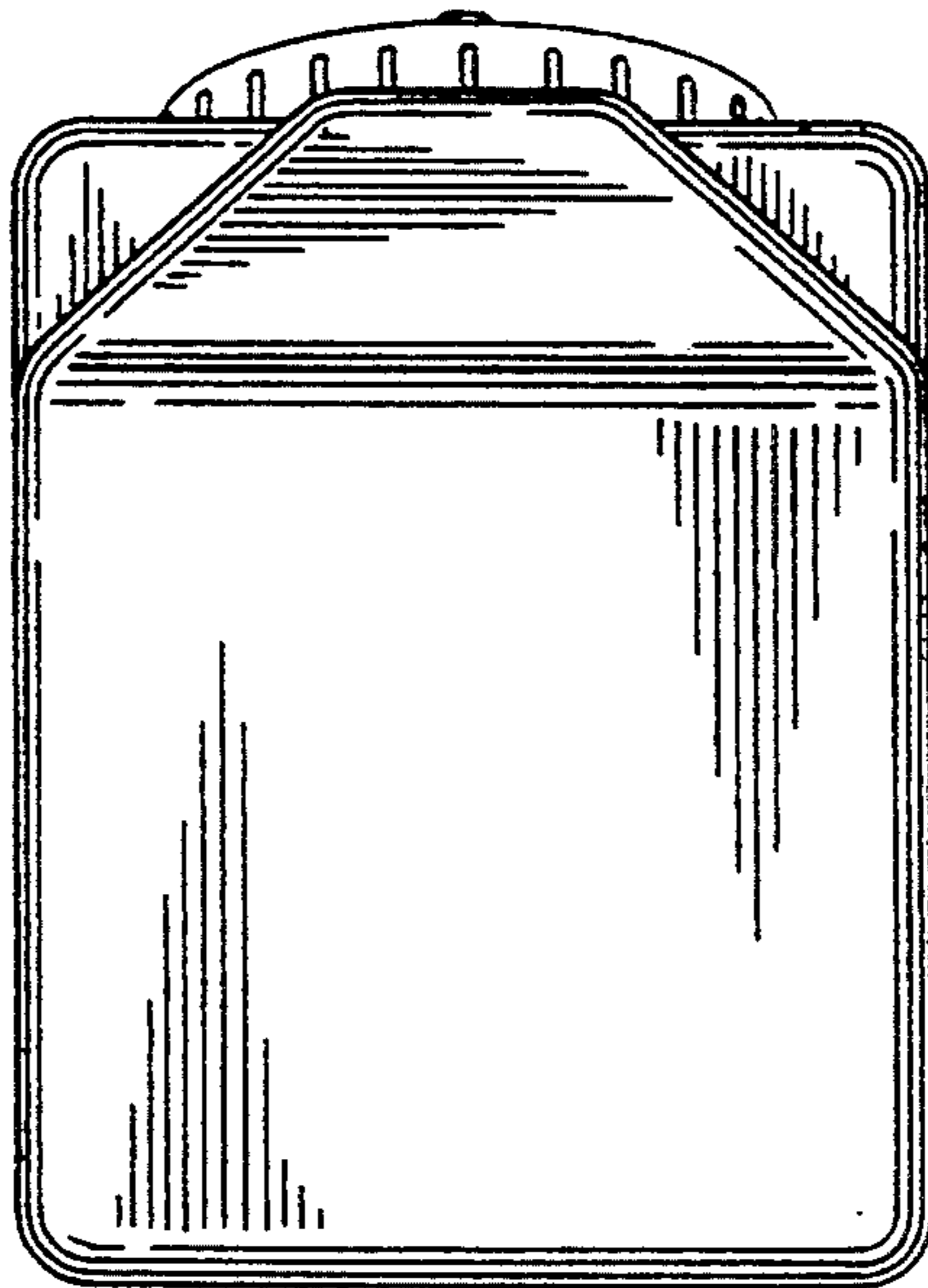


FIG. 6

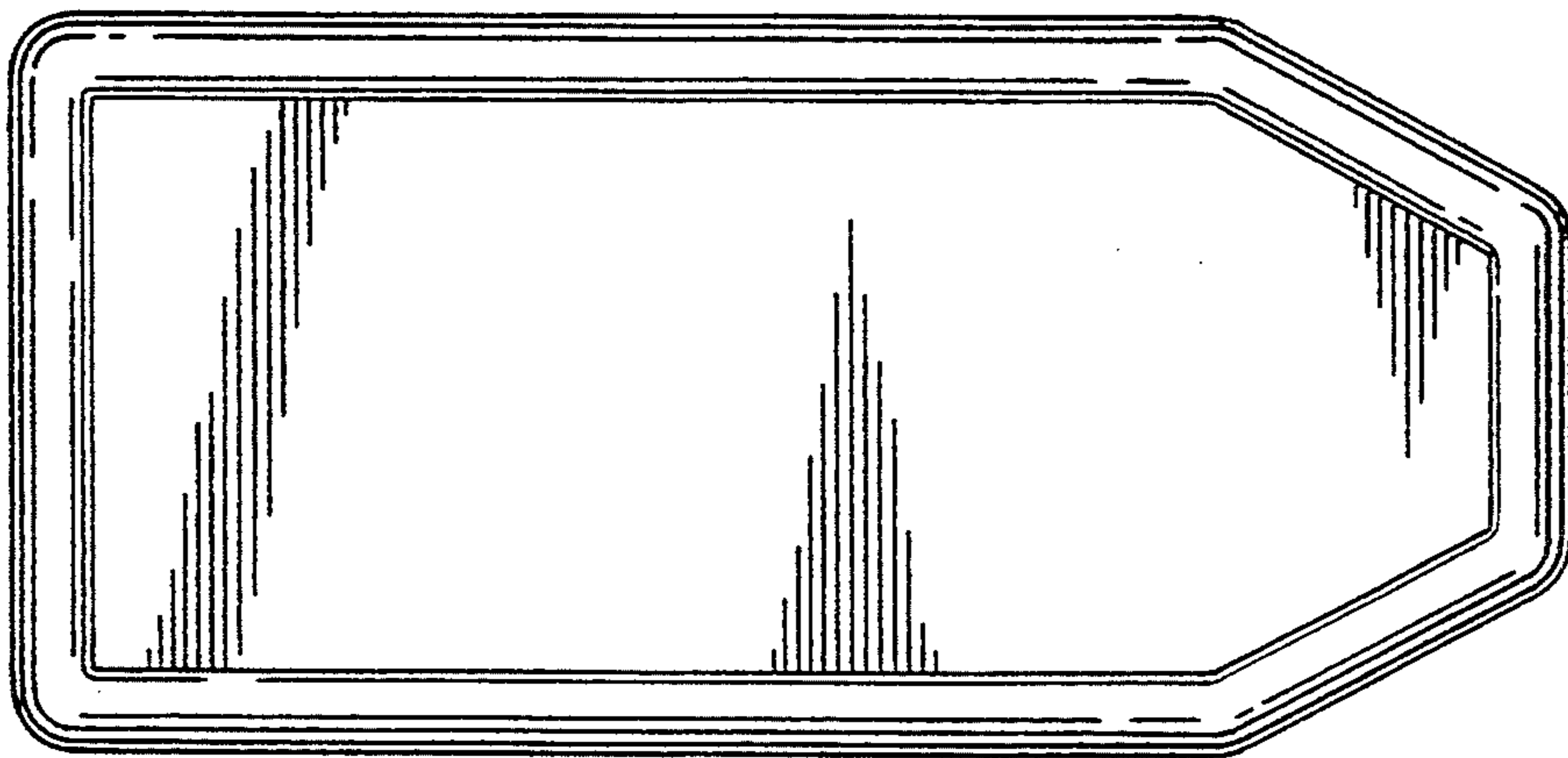


FIG. 7