



US00D360942S

United States Patent [19]

[11] Patent Number: **Des. 360,942**

Bucher et al.

[45] Date of Patent: **** Aug. 1, 1995**

[54] **COMBINED NEON CEILING FAN MOTOR HOUSING AND SUPPORT ROD**

D. 346,211 4/1994 Bucher et al. D23/411
D. 352,552 11/1994 Oyama et al. D23/377

[75] Inventors: **John C. Bucher**, Coral Springs; **Shih T. Wu**, Lighthouse Point, both of Fla.; **Ta-Yao Tao**, Taipei, Taiwan

Primary Examiner—Lisa P. Lichtenstein
Attorney, Agent, or Firm—Dominik & Stein

[73] Assignee: **Chien Luen Industries Company, Ltd., Inc.**, Fla.

[57] **CLAIM**

[**] Term: **14 Years**

The ornamental design for a combined neon ceiling fan motor housing and support rod, as shown and described.

[21] Appl. No.: **25,932**

DESCRIPTION

[22] Filed: **Jul. 18, 1994**

FIG. 1 is a perspective view of the combined neon ceiling fan motor housing and support rod showing our new design;

[52] U.S. Cl. **D23/411; D23/377**

FIG. 2 is a bottom view thereof;

[58] Field of Search D23/411, 377, 379, 385; 416/5; 392/364; 362/96, 216; D26/81-86, 88, 59, 51, 72

FIG. 3 is a top view thereof; and,

FIG. 4 is a front side view thereof, the other sides views thereof being the same.

[56] **References Cited**

U.S. PATENT DOCUMENTS

D. 339,191 9/1993 Vieyra D23/377

The support rod has been shown broken away at the bottom in FIGS. 1 and 4 to indicate indeterminate length.

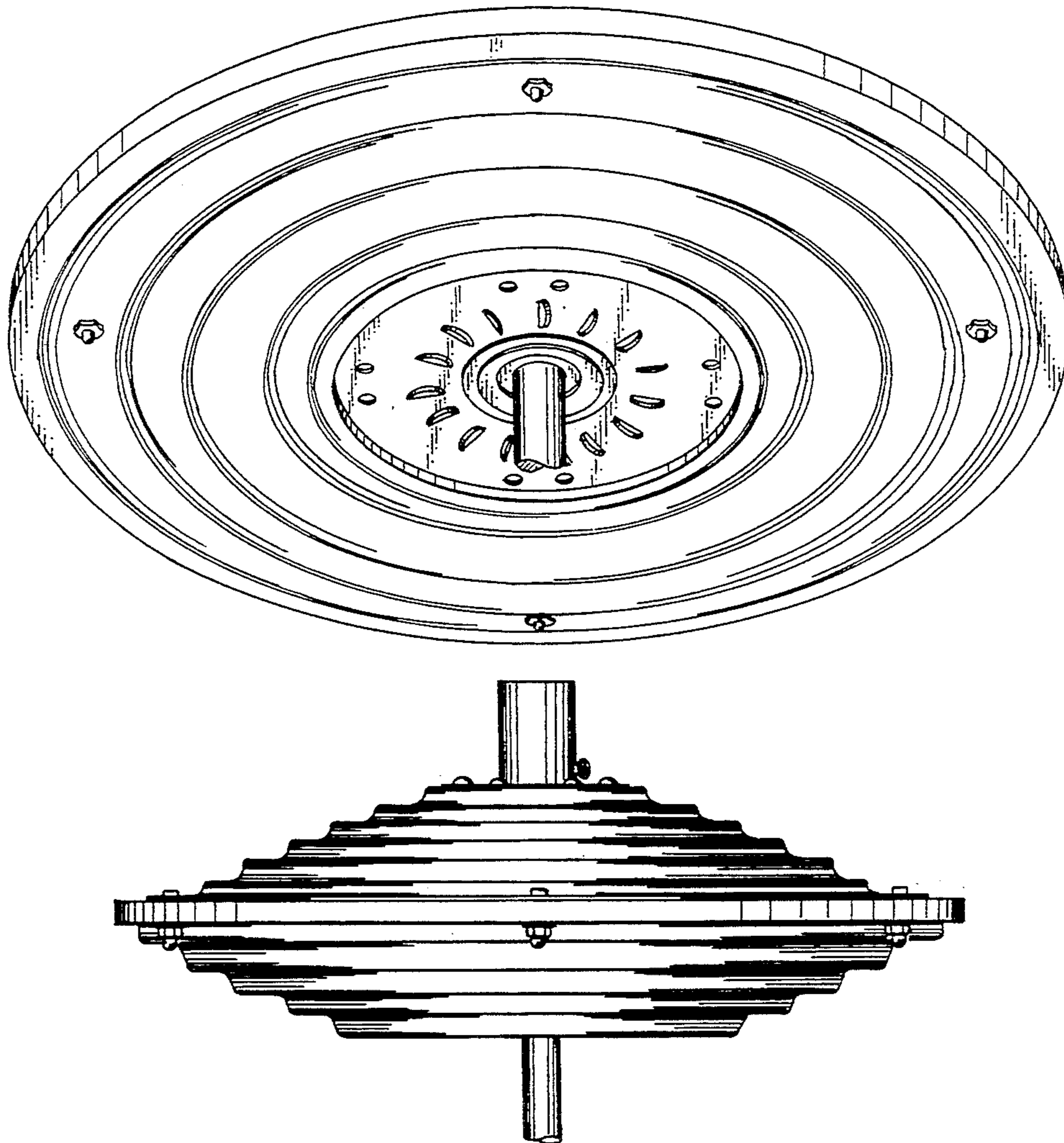


Fig. 1

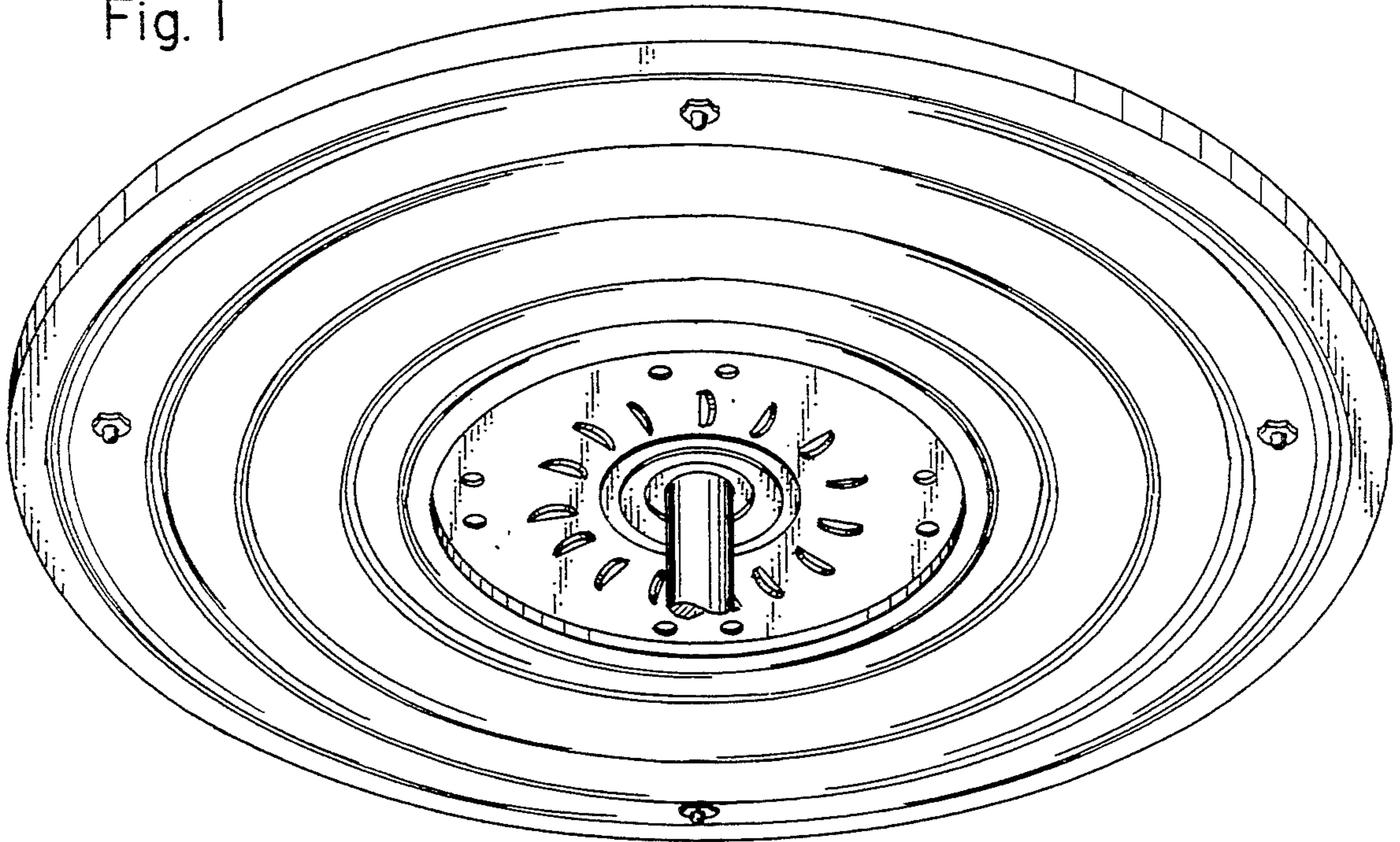


Fig. 2

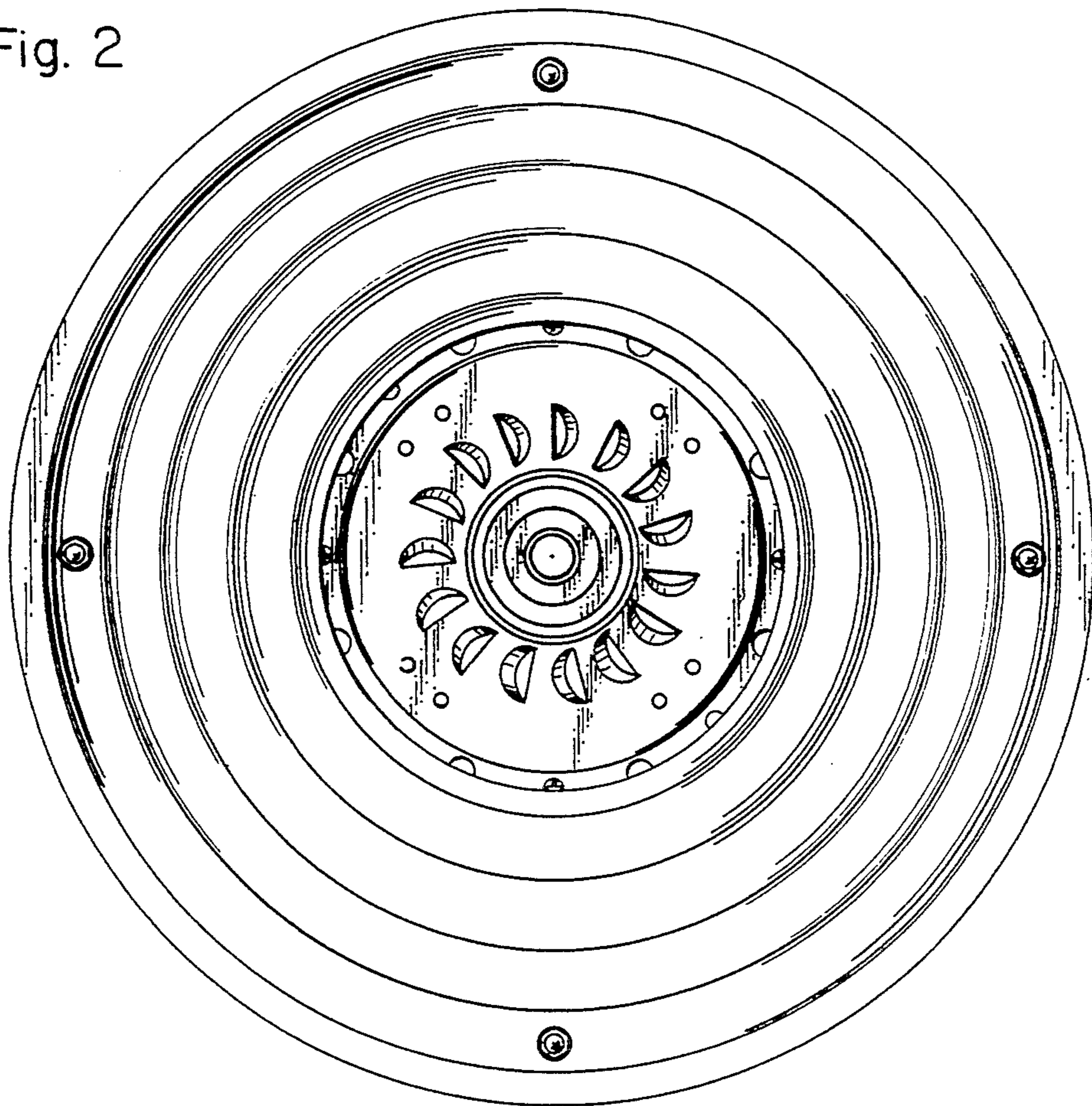


Fig. 3

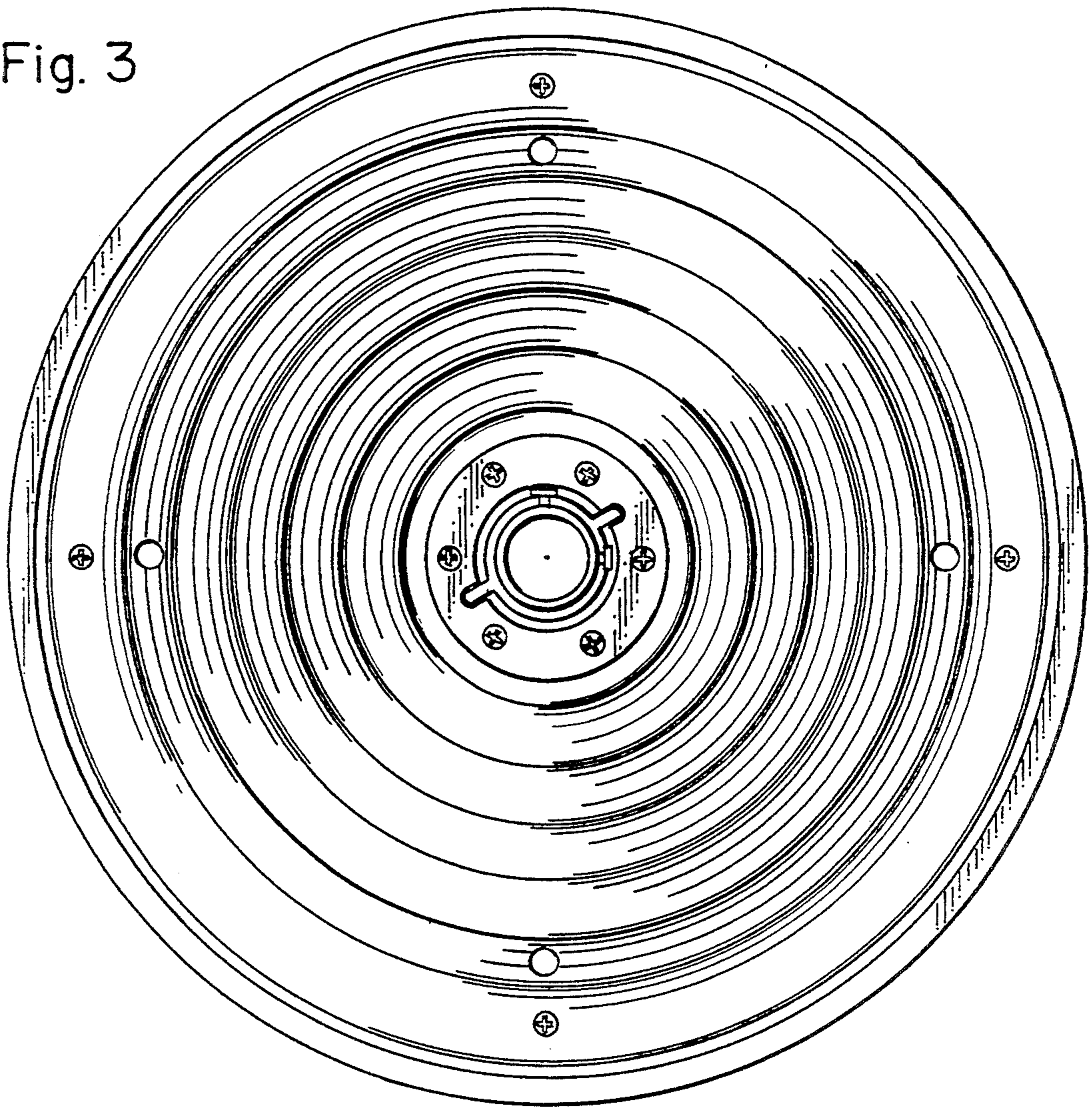


Fig. 4

