



US00D360940S

# United States Patent [19]

[11] Patent Number: **Des. 360,940**

**Collmar**

[45] Date of Patent: **\*\* Aug. 1, 1995**

[54] **COMBINED CEILING FAN AND LIGHT**

[75] Inventor: **Teddy P. Collmar, Corona, Calif.**

[73] Assignee: **Great 2000 Enterprises, Inc., Corona, Calif.**

[\*\*] Term: **14 Years**

[21] Appl. No.: **20,403**

[22] Filed: **Oct. 28, 1994**

[52] U.S. Cl. .... **D23/377; D23/379; D23/385; D26/51; D26/85**

[58] Field of Search ..... **D23/377, 379, 385, 411, D23/413; D26/81-86, 88, 59, 72, 51; 416/5; 362/96; 392/364**

[56] **References Cited**

### U.S. PATENT DOCUMENTS

D. 311,247 10/1990 Sonneman ..... D23/377

D. 312,868 12/1990 Rezek ..... D23/377  
D. 345,205 3/1994 Di Pasquale ..... D23/385  
D. 878,862 10/1932 Ainsworth ..... D26/88  
1,870,194 8/1932 Guth ..... D26/88

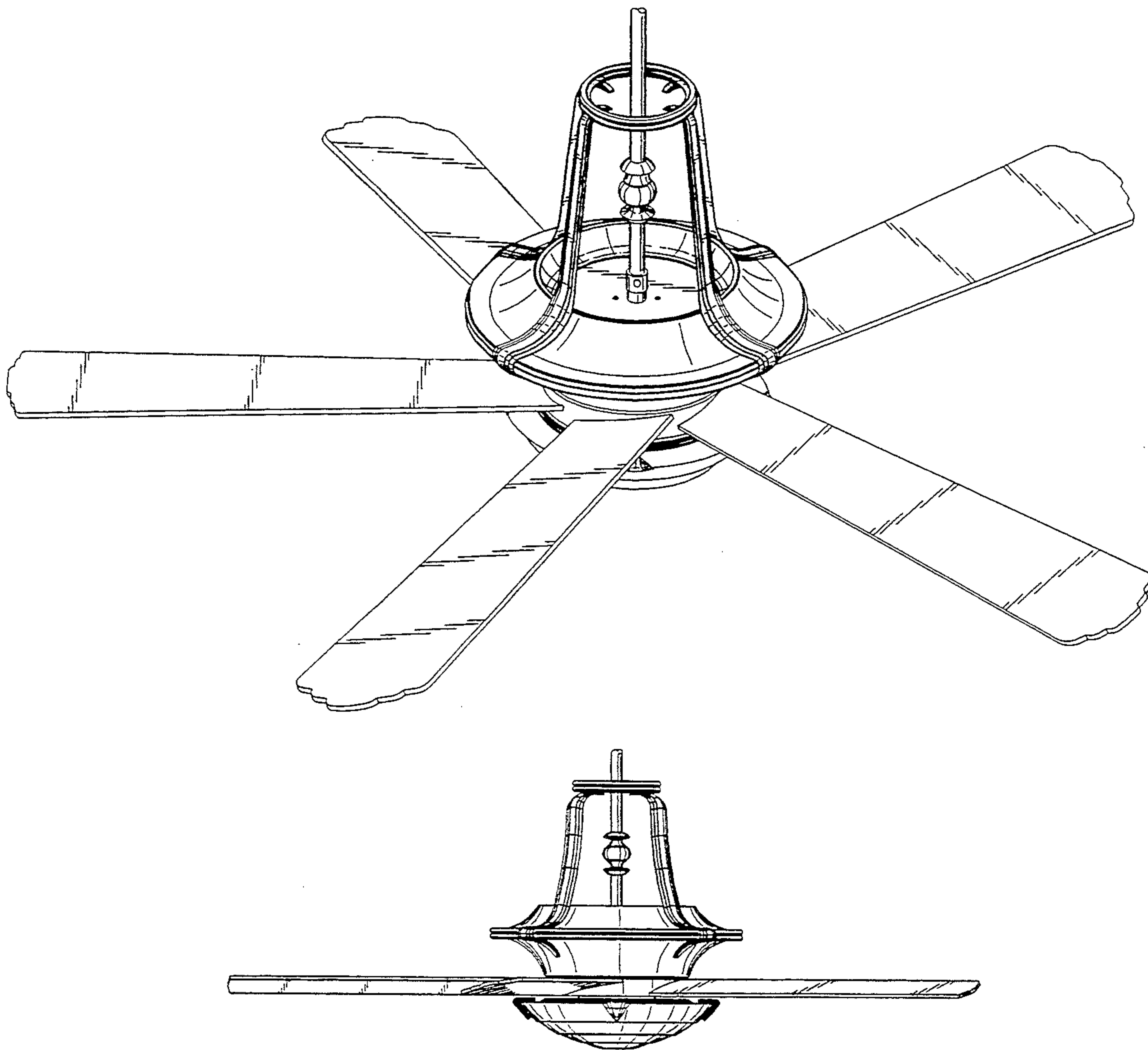
*Primary Examiner*—Lisa P. Lichtenstein  
*Attorney, Agent, or Firm*—Danton K. Mak; Sheldon & Mak, Inc.

### [57] CLAIM

The ornamental design for a combined ceiling and light fan, as shown and described.

### DESCRIPTION

FIG. 1 is a top/side perspective view of a ceiling fan showing my new design;  
FIG. 2 is a side elevational view thereof, the other sides being identical to that shown;  
FIG. 3 is a bottom plan view thereof; and,  
FIG. 4 is a bottom/side perspective view thereof.



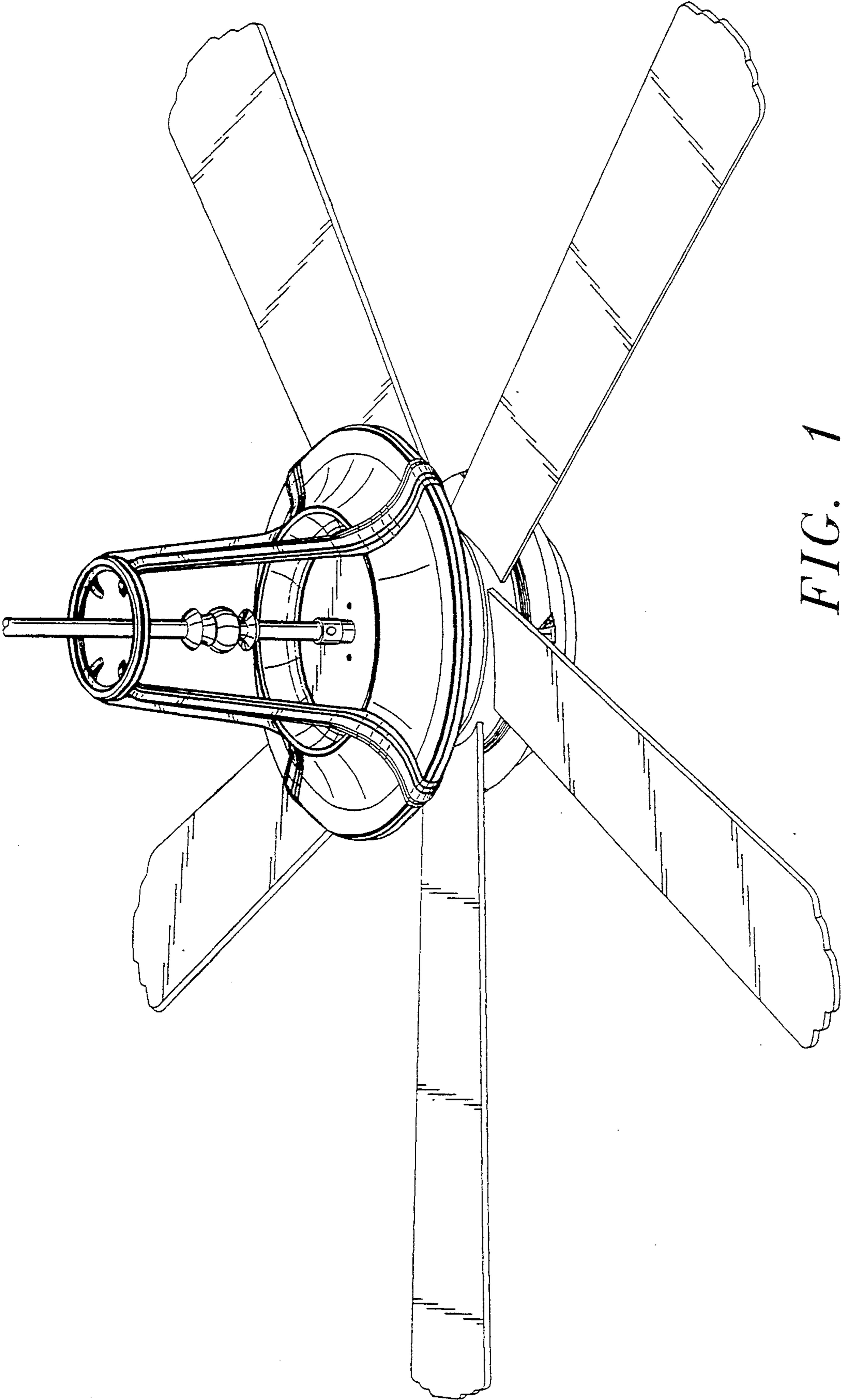


FIG. 1

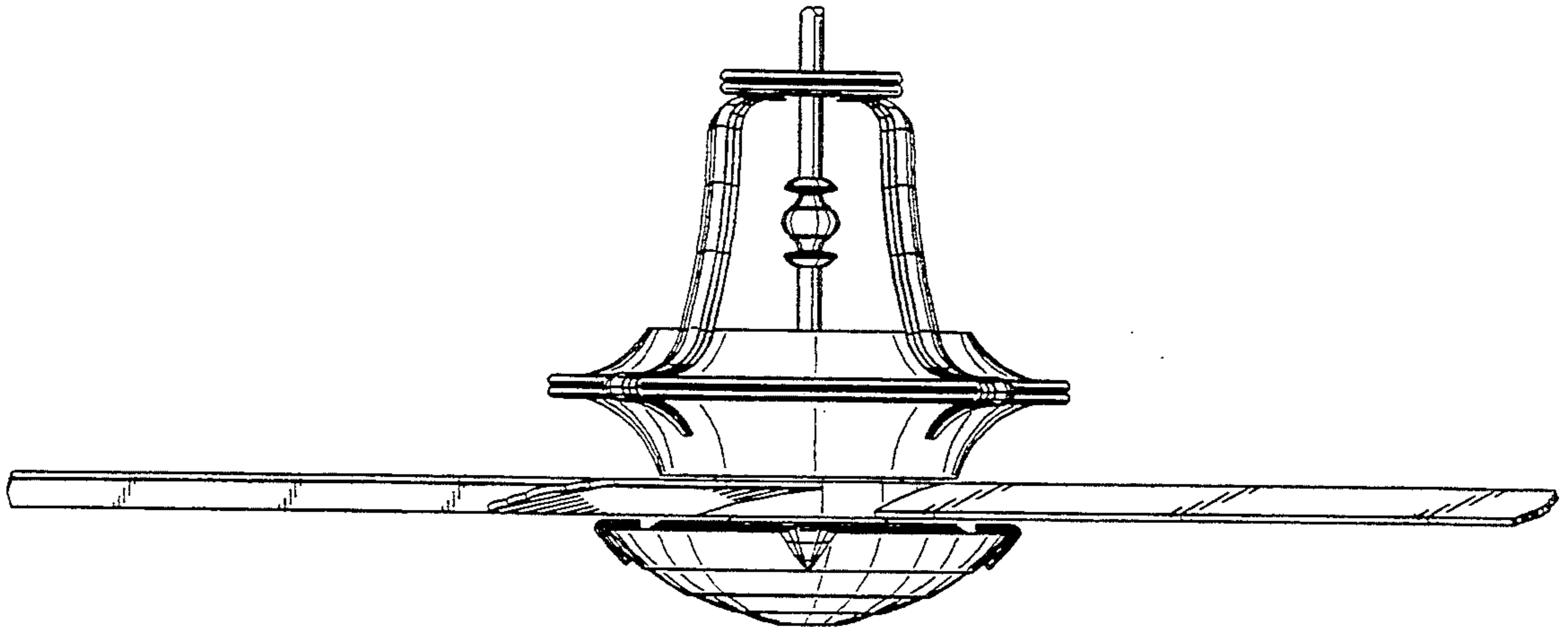


FIG. 2

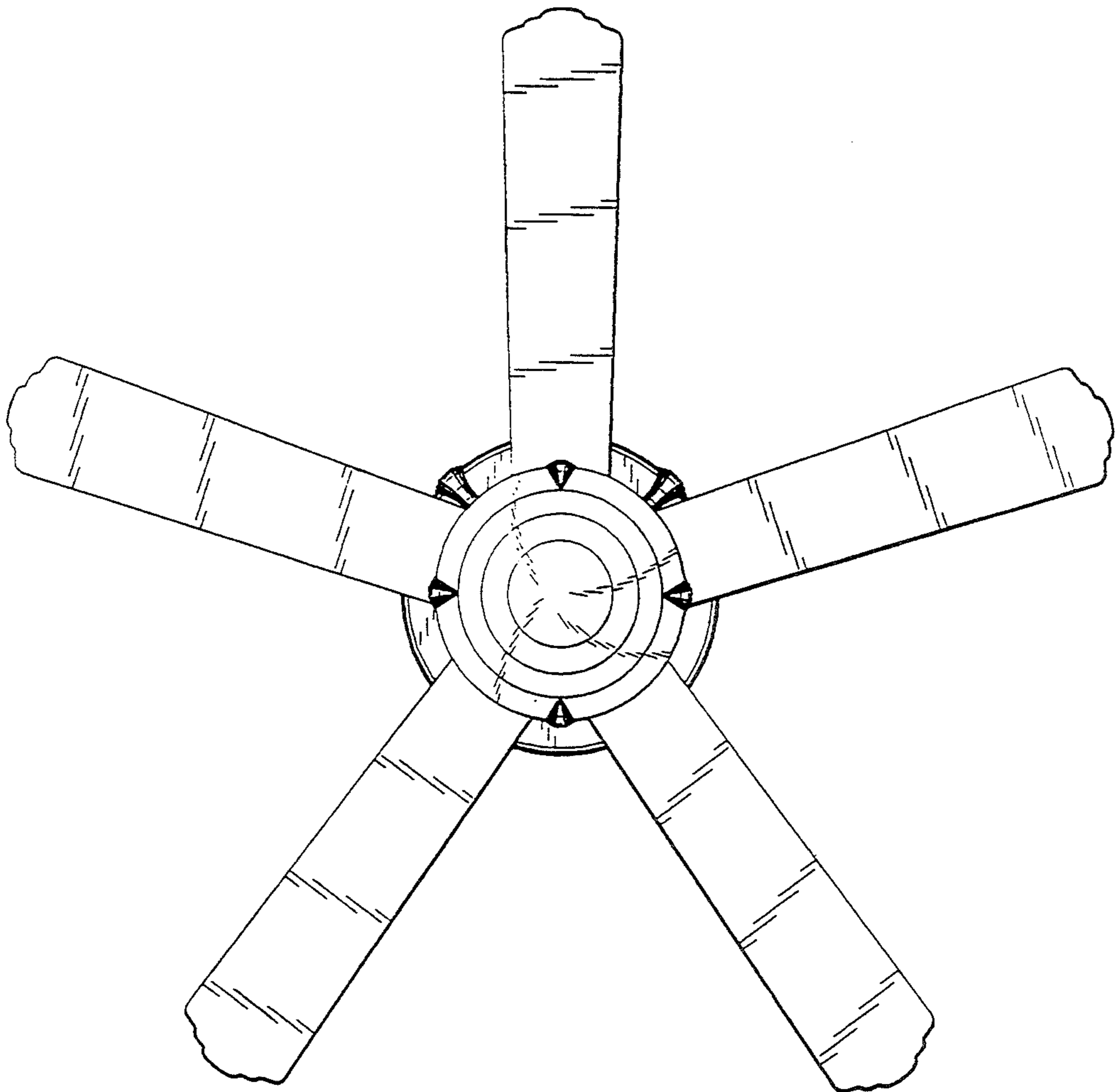


FIG. 3

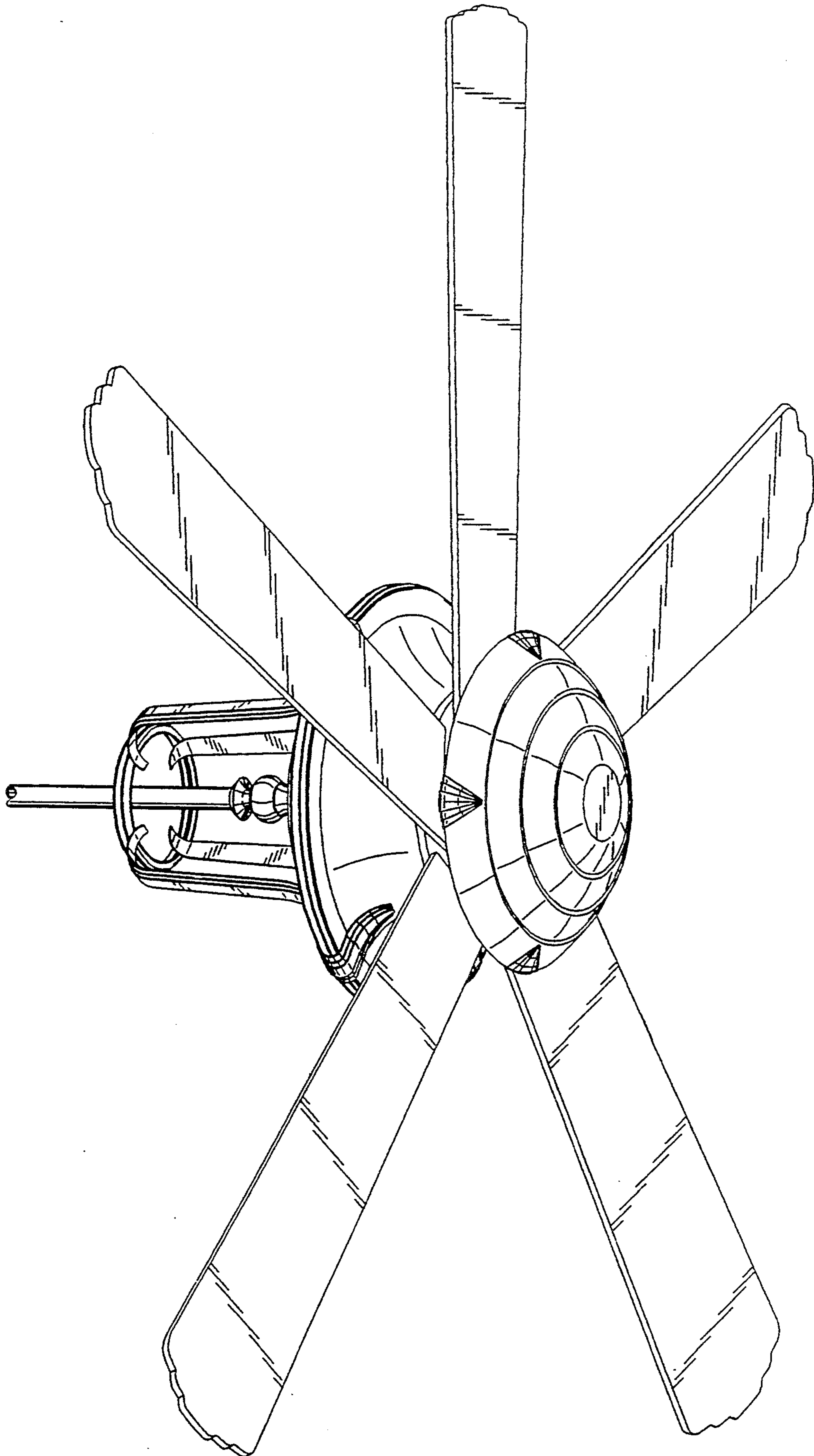


FIG. 4