



US00D360939S

# United States Patent [19]

[11] Patent Number: **Des. 360,939**

Wang

[45] Date of Patent: **\*\* Aug. 1, 1995**

[54] **COMBINED ELECTRIC CEILING FAN AND LIGHT**

D. 75,236 5/1928 Guth ..... D26/88  
D. 328,491 8/1992 Markwardt ..... D23/377

[76] Inventor: **Pierce Wang**, No. 46, Alley 26, Lane 667, Chung Shan Road, Shing Kong Hsiang, Taichung Hsien, Taiwan

*Primary Examiner*—Lisa P. Lichtenstein  
*Attorney, Agent, or Firm*—Charles W. McHugh

[\*\*] Term: **14 Years**

[57] **CLAIM**

The ornamental design for a combined electric ceiling fan and light, as shown and described.

[21] Appl. No.: **16,733**

**DESCRIPTION**

[22] Filed: **Dec. 23, 1993**

[52] U.S. Cl. .... **D23/377; D23/379; D23/385; D26/59**

[58] Field of Search ..... **D23/377, 379, 385, 411-413; D26/81-86, 88, 72, 59, 51; 362/96; 392/364; 416/5, 170 R**

FIG. 1 is a perspective view of a combined electric ceiling fan and light, showing my new design; FIG. 2 is an enlarged top plan view thereof; FIG. 3 is an enlarged bottom plan view thereof; and, FIG. 4 is an enlarged side elevation view thereof, the opposite side being identical to that shown.

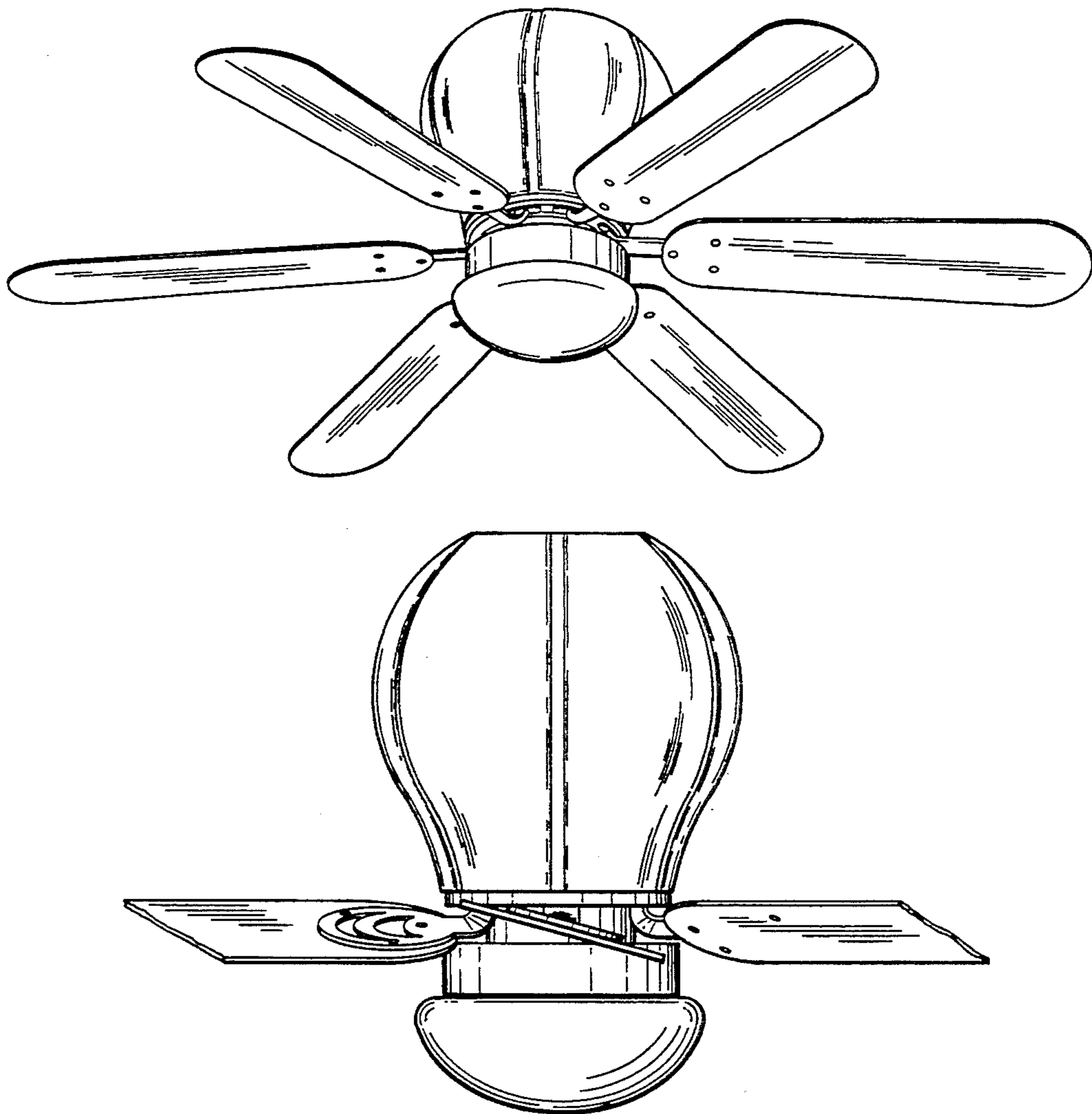
The rear of the design is identical to the front as shown in FIG. 1.

The blades have been shown broken-away in FIGS. 2-4 for ease of illustration.

[56] **References Cited**

**U.S. PATENT DOCUMENTS**

D. 57,358 3/1921 Klein ..... D26/88



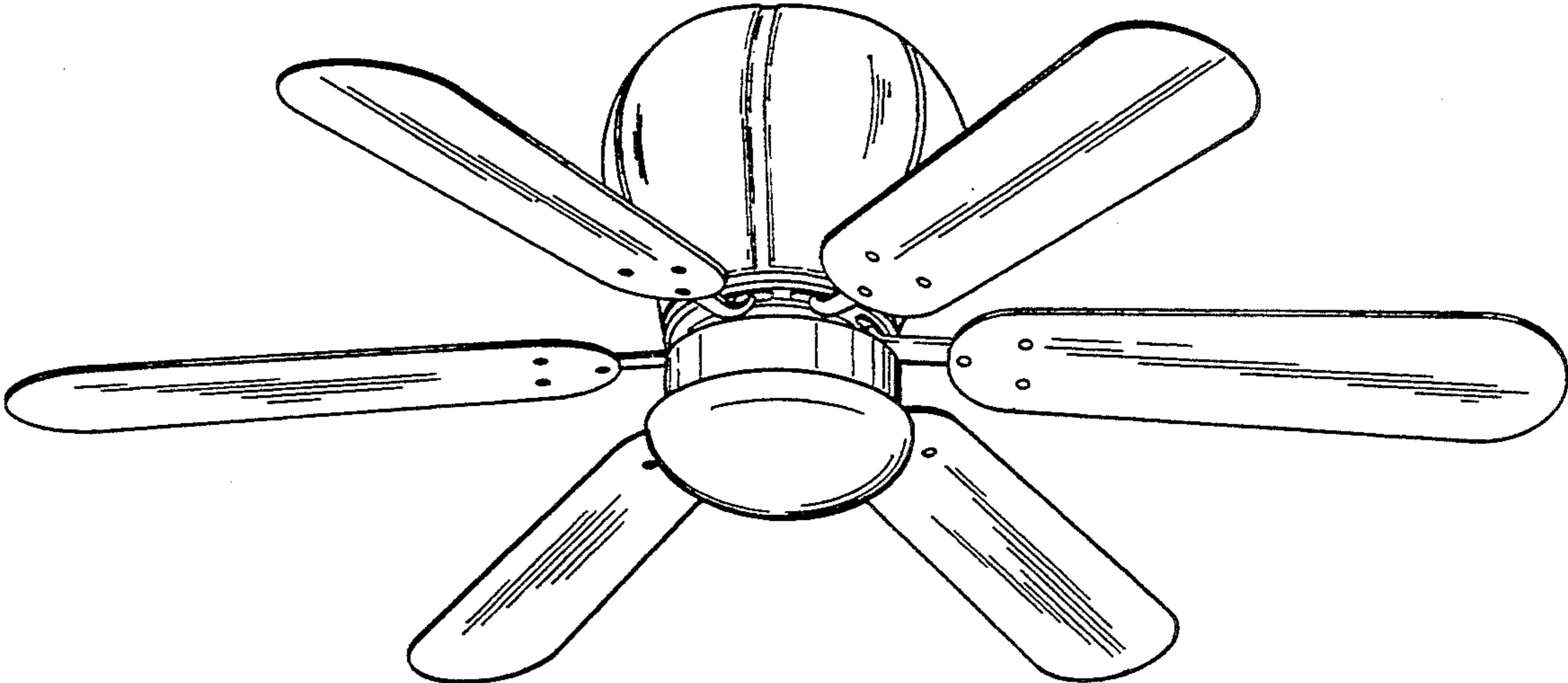


FIG. 1

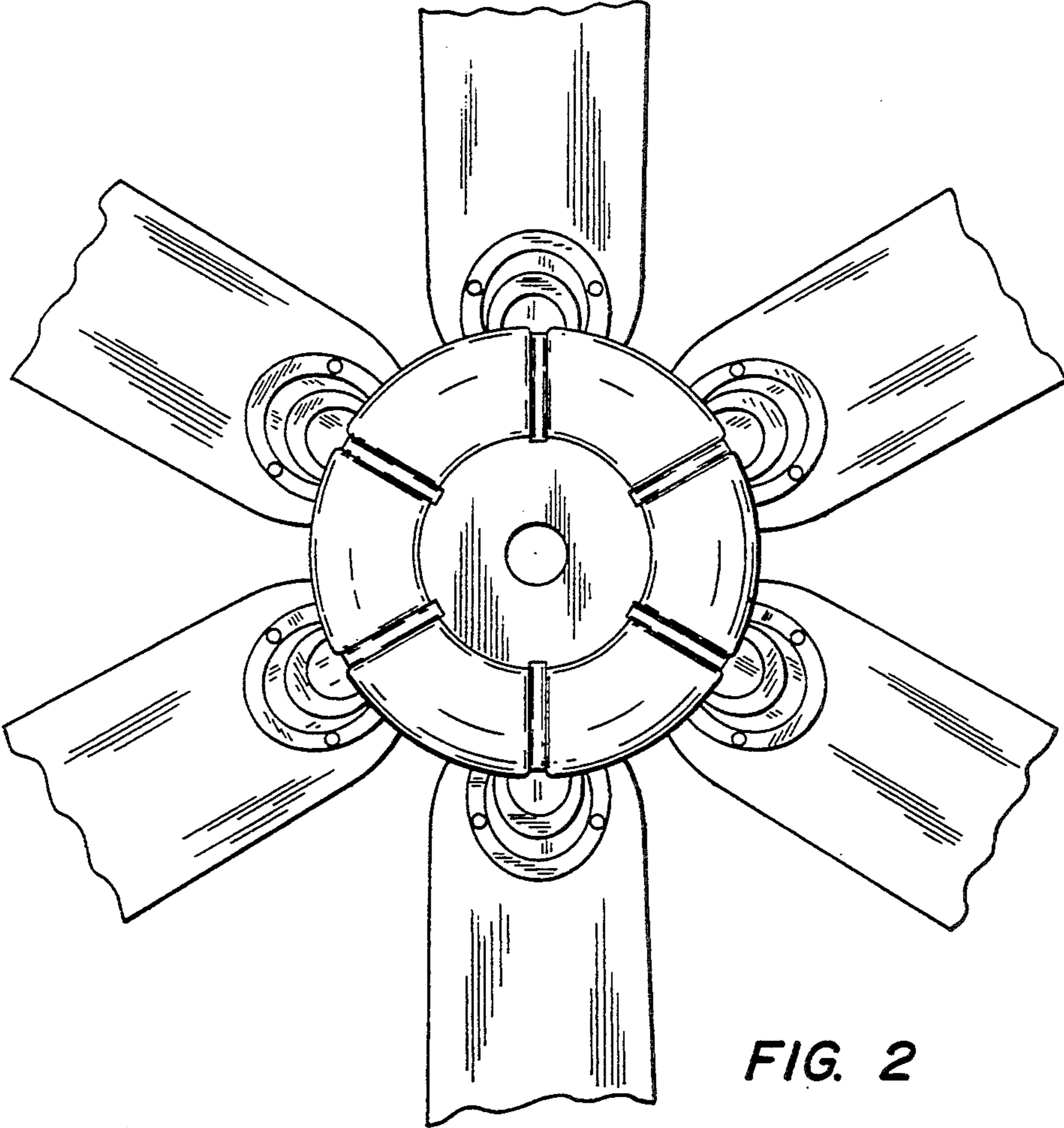
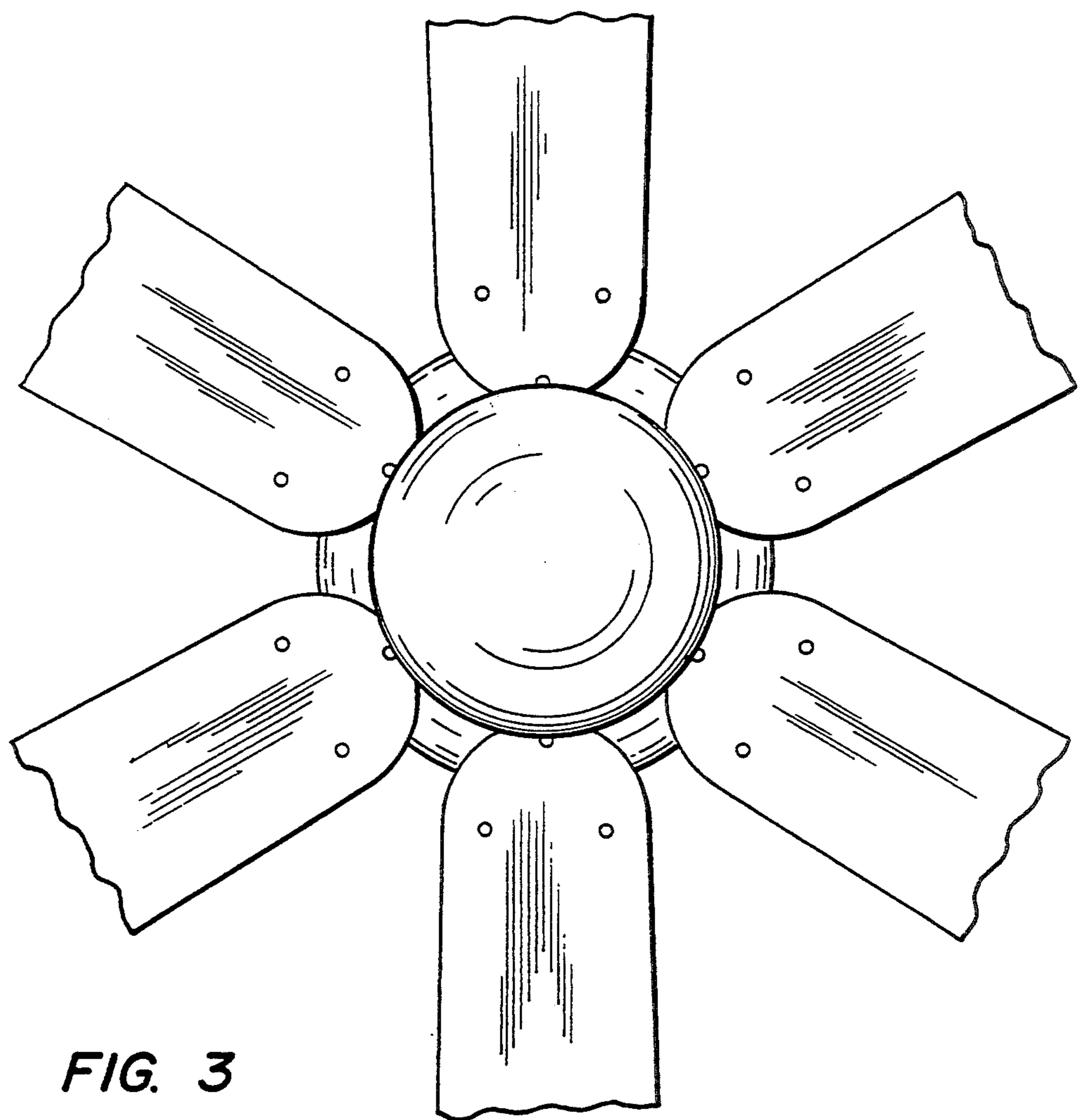
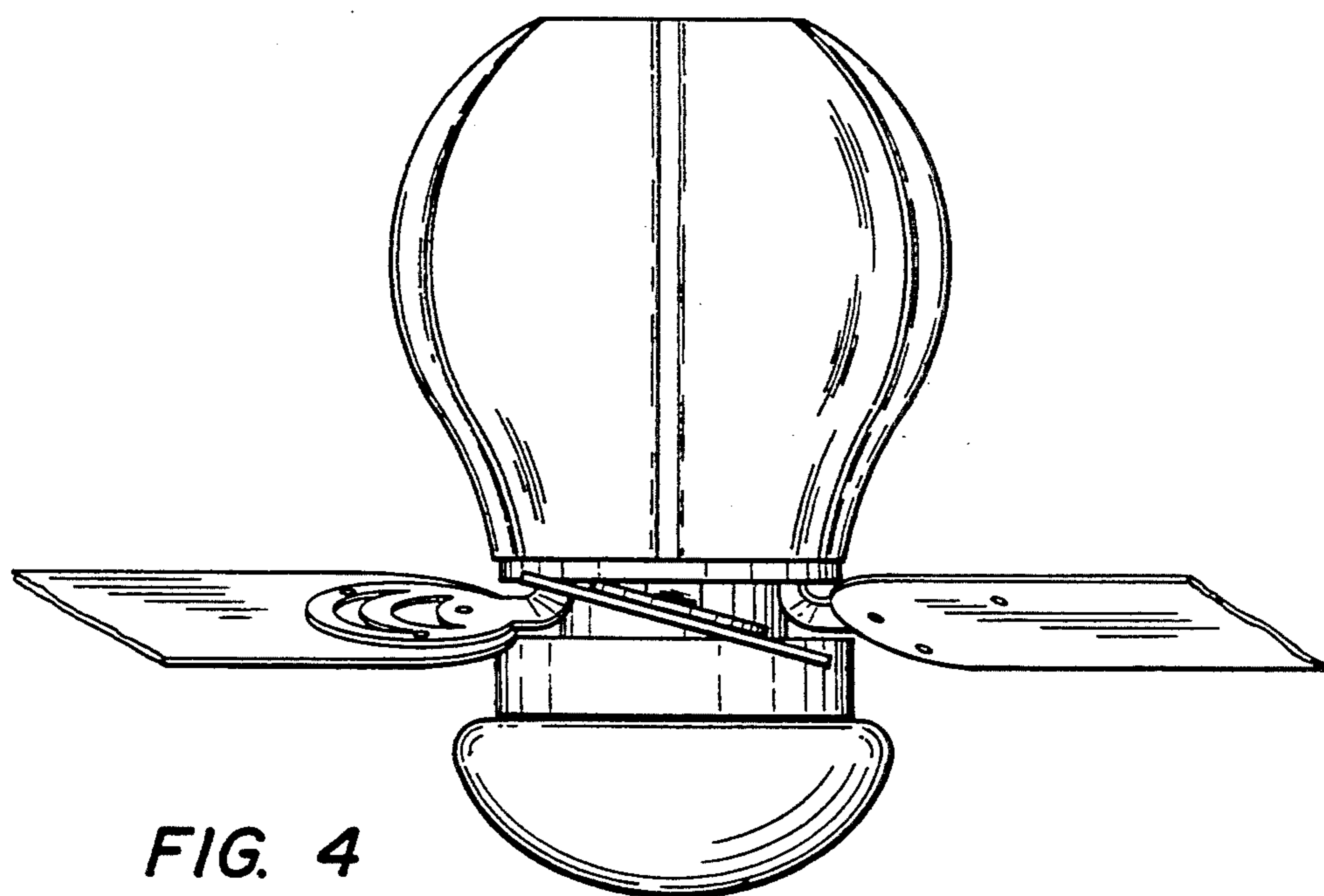


FIG. 2



**FIG. 3**



**FIG. 4**