



US00D360937S

United States Patent [19]

[11] Patent Number: **Des. 360,937**

Bourgeois

[45] Date of Patent: **** Aug. 1, 1995**

[54] **COMBINED TOILET AND FLUID MOTOR SEAT LIFTER**

Primary Examiner—A. Hugo Word
Assistant Examiner—E. Watterson
Attorney, Agent, or Firm—H. Jay Spiegel

[76] Inventor: **Cory Bourgeois**, 420 Berger St.,
Marrero, La. 70072-1128

[57] **CLAIM**

[**] Term: **14 Years**

The ornamental design for a combined toilet and fluid motor seat lifter, as shown and described.

[21] Appl. No.: **23,069**

DESCRIPTION

[22] Filed: **May 17, 1994**

[52] U.S. Cl. **D23/309**

FIG. 1 shows a front perspective view of the present invention;

[58] Field of Search **D23/309-311;**
4/250, 251, 234, 235, 236, 237, 238, 239, 240,
241, 246.1, 246.2, 246.3, 246.4, 246.5

FIG. 2 shows a side view of the present invention;

FIG. 3 shows the other side view of the present invention;

[56] **References Cited**

U.S. PATENT DOCUMENTS

50,064	9/1865	Woodruff	4/486
D. 338,711	8/1993	Bishop	D23/311
2,202,669	5/1940	Moore	4/240

FIG. 4 is a top view of the claimed design;

FIG. 5 shows a front elevational view of the claimed design; and,

FIG. 6 shows a rear elevational view of the claimed design.

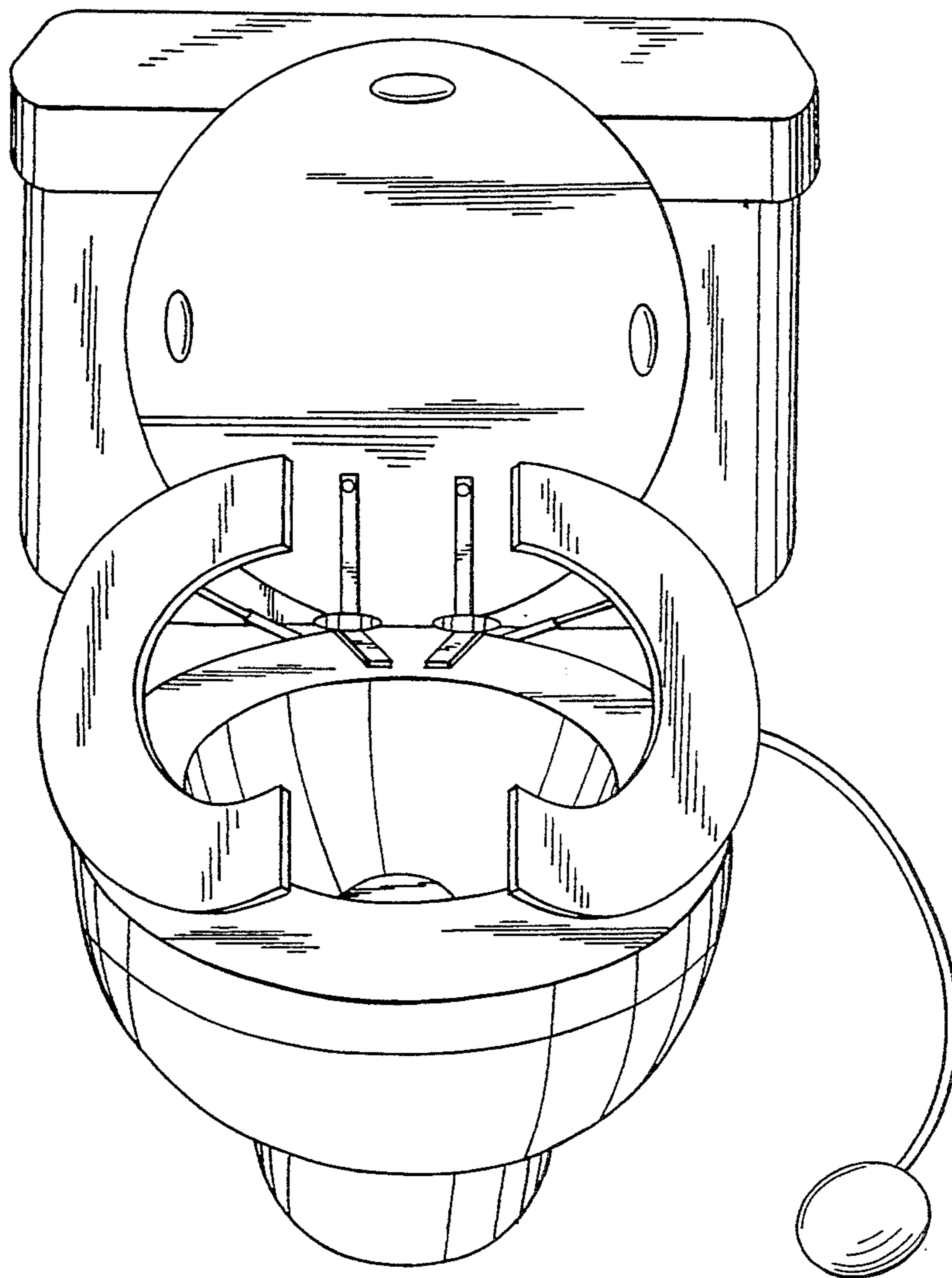


FIG. 1

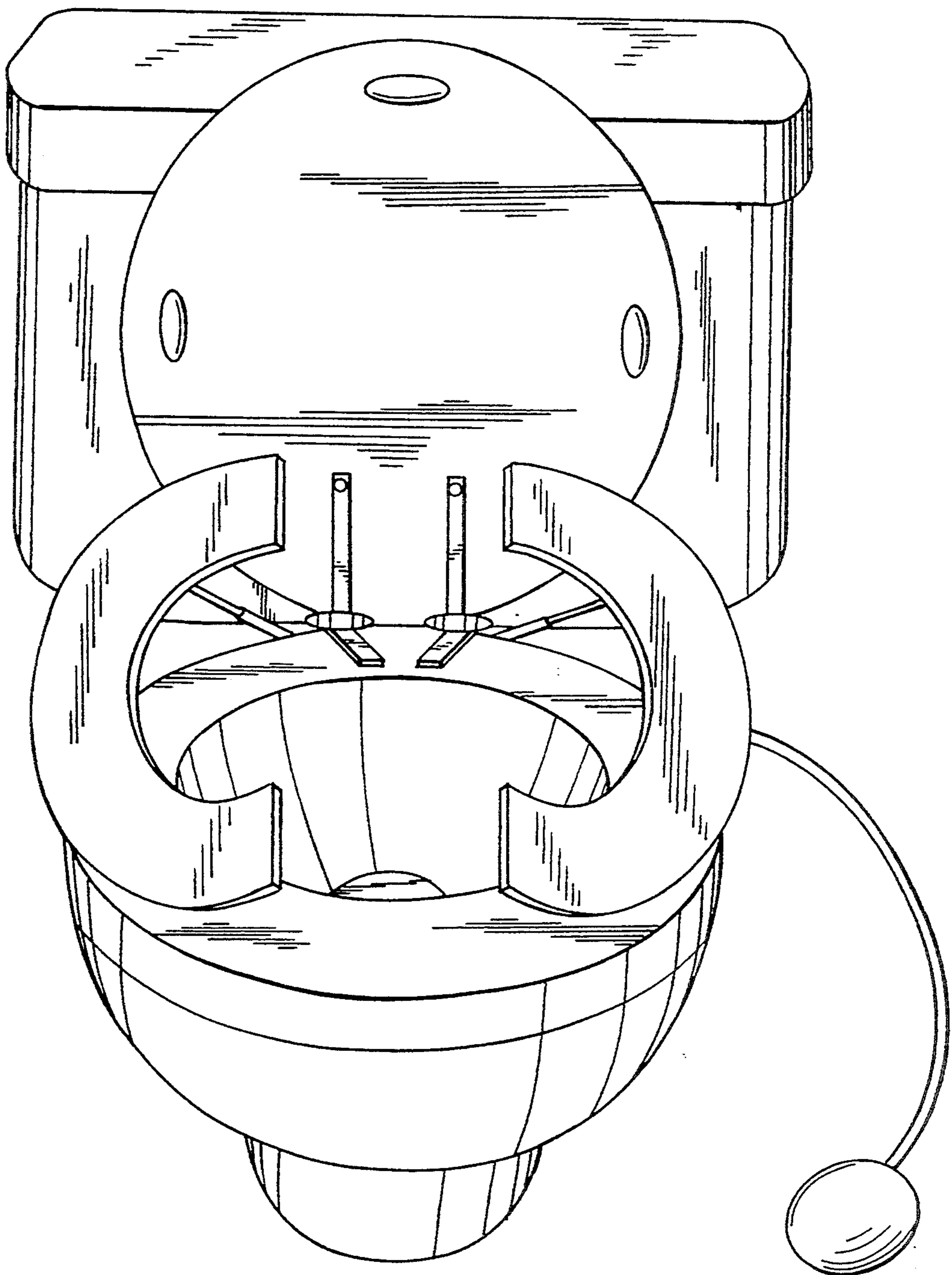


FIG. 2

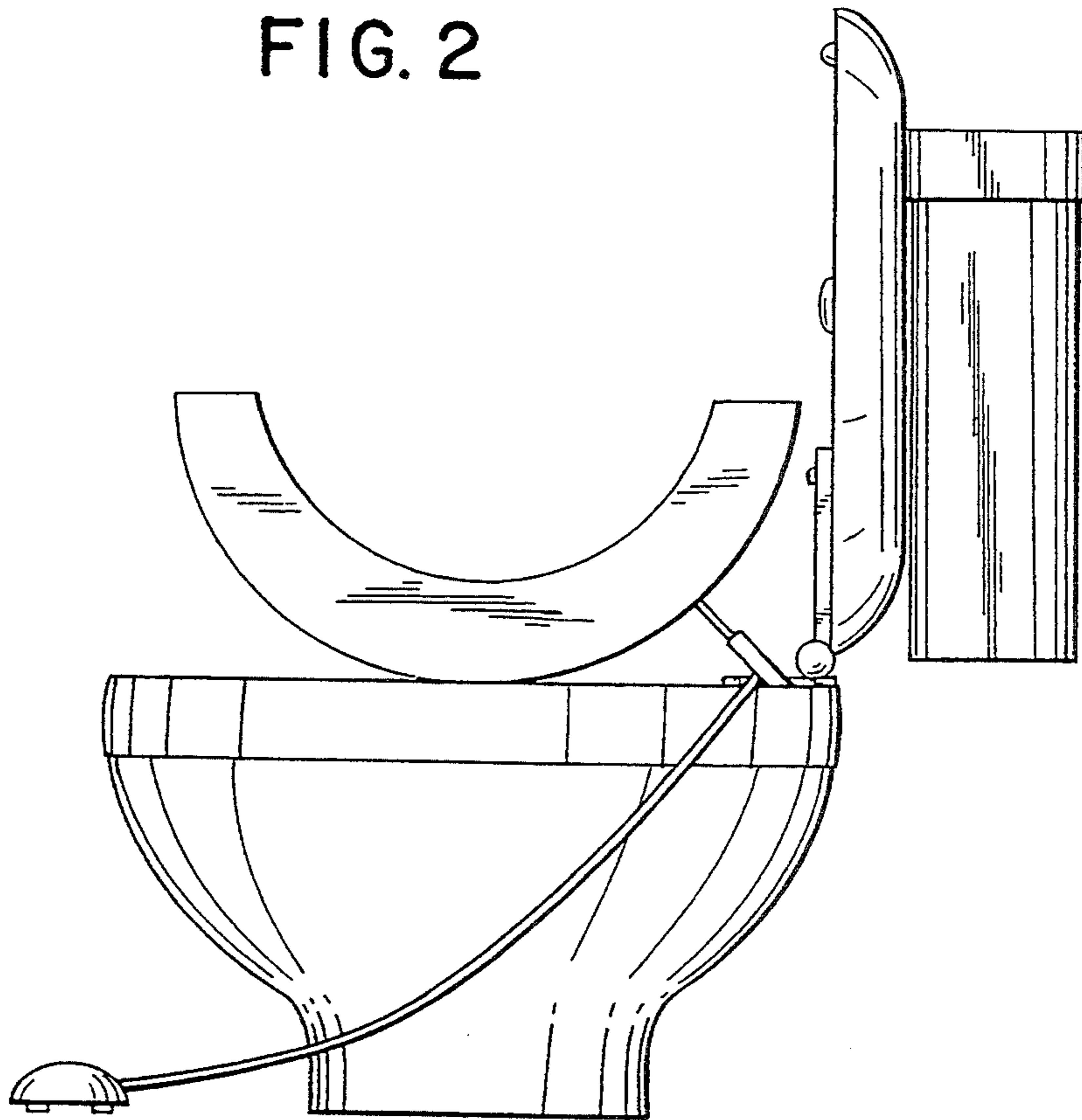


FIG. 3

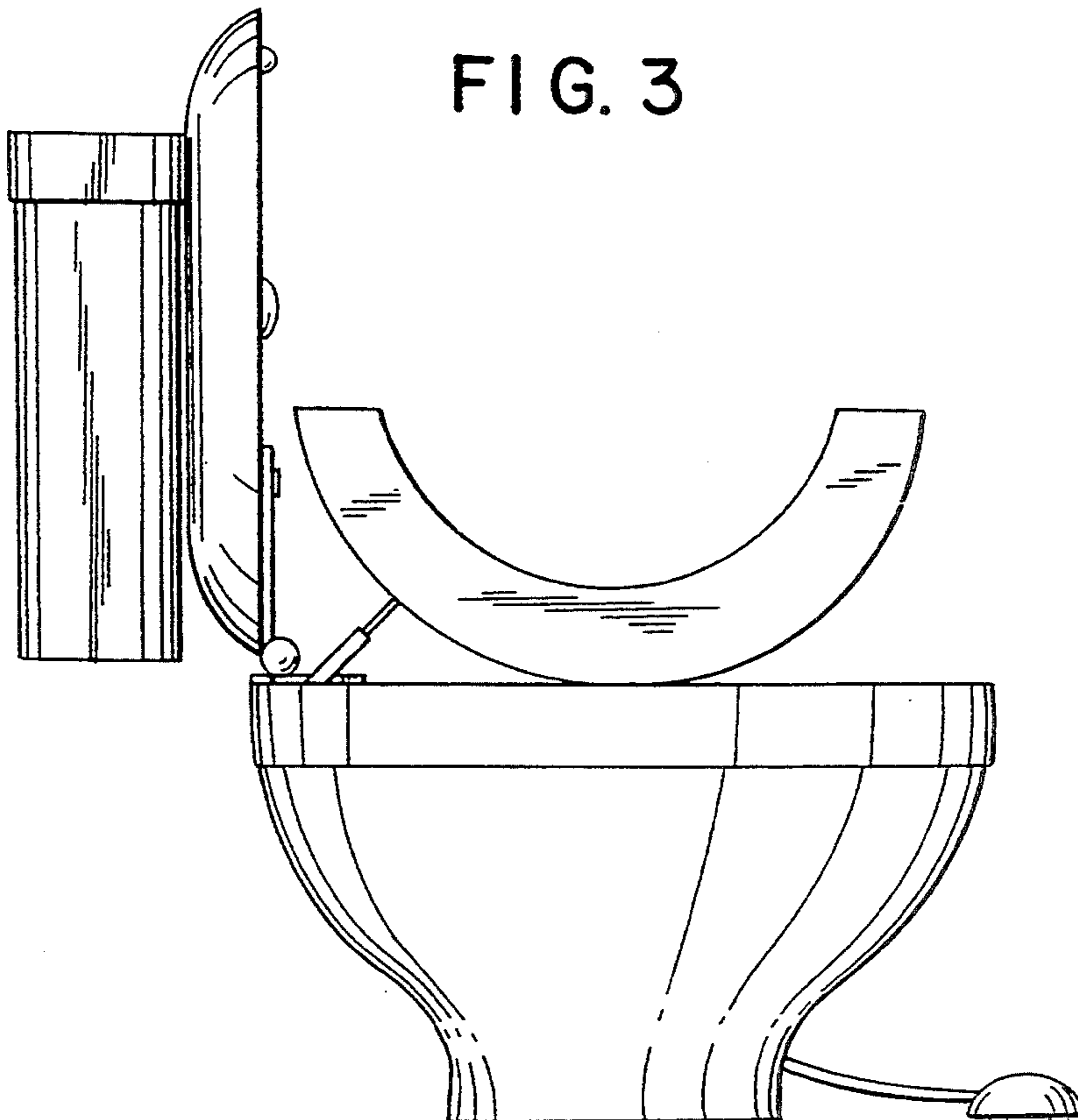


FIG. 4

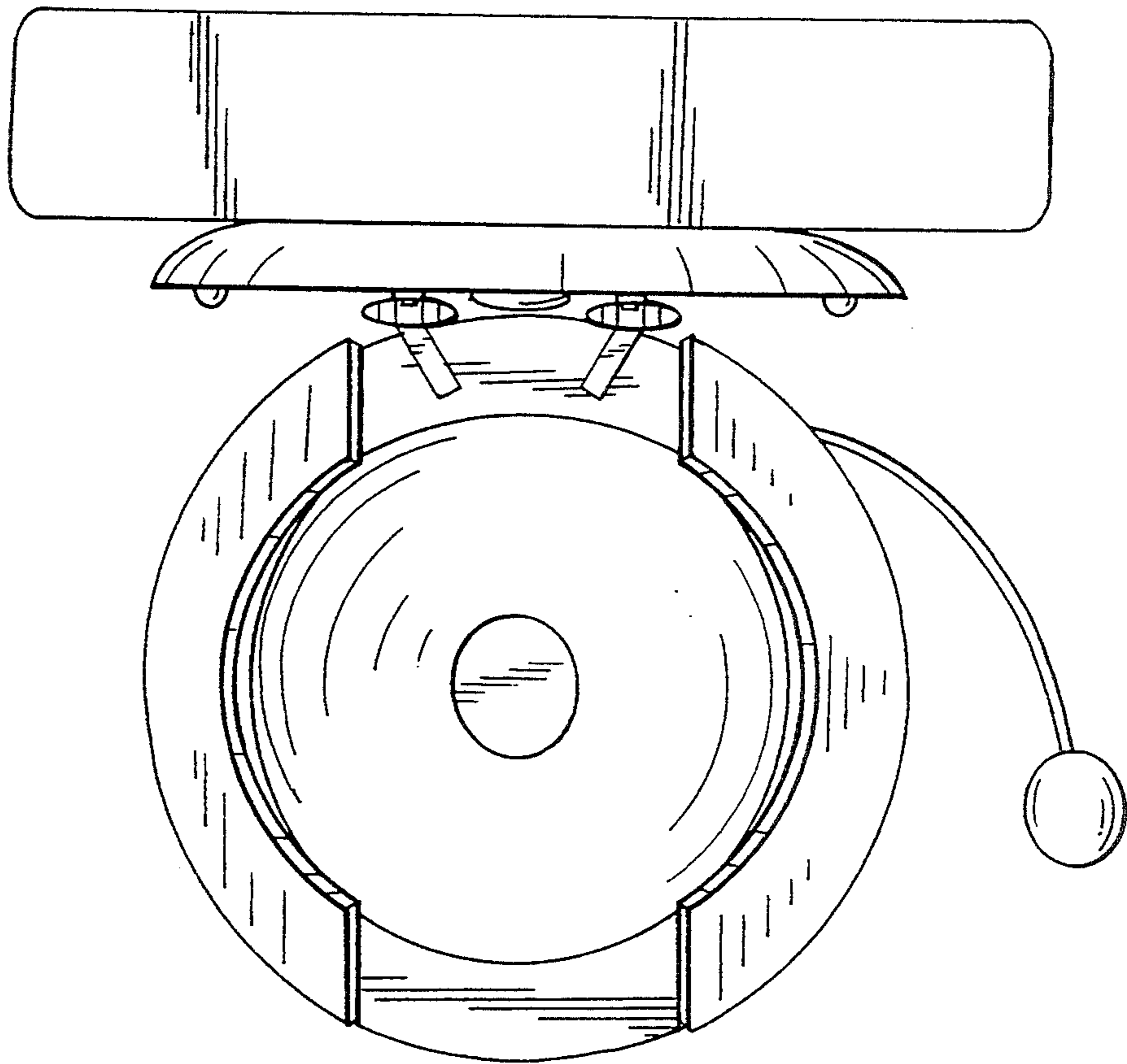


FIG. 5

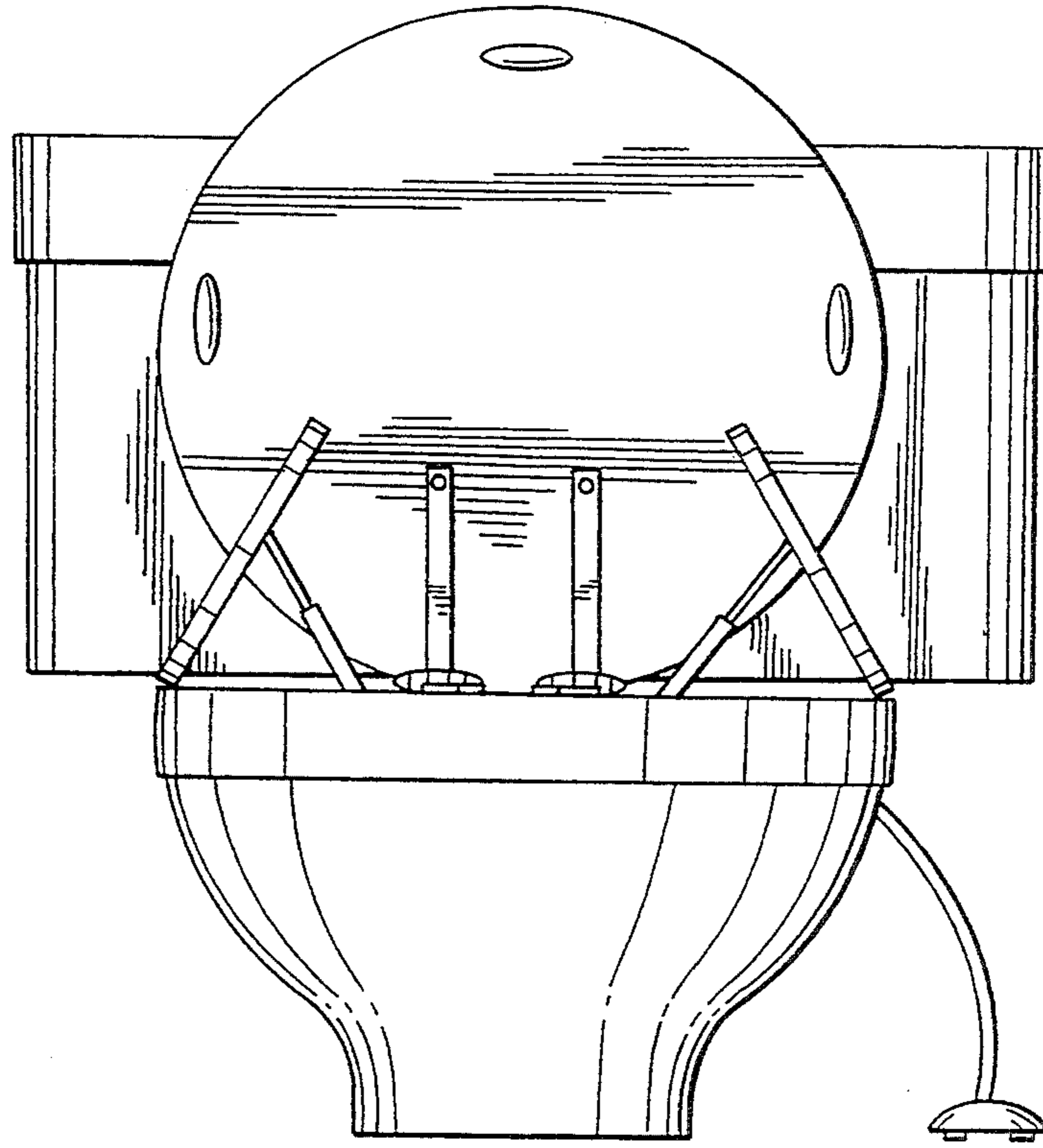


FIG. 6

