



US00D360936S

United States Patent [19]

Liddicoat

[11] Patent Number: **Des. 360,936**

[45] Date of Patent: **** Aug. 1, 1995**

[54] TOILET BOWL

[76] Inventor: **Jacob M. Liddicoat**, 1471 Mettler Rd., Lodi, Calif. 95242

[**] Term: **14 Years**

[21] Appl. No.: **25,463**

[22] Filed: **Jul. 1, 1994**

[52] U.S. Cl. **D23/295**

[58] Field of Search **D23/295, 297, 299, 300, D23/301; 4/605, 612, 614**

[56] **References Cited**

U.S. PATENT DOCUMENTS

- D. 192,494 4/1962 Corp D23/300
- D. 310,870 9/1990 Zmuda et al. D23/300
- D. 311,242 10/1990 Reid D23/301

D. 313,648 1/1991 Kimes D23/295

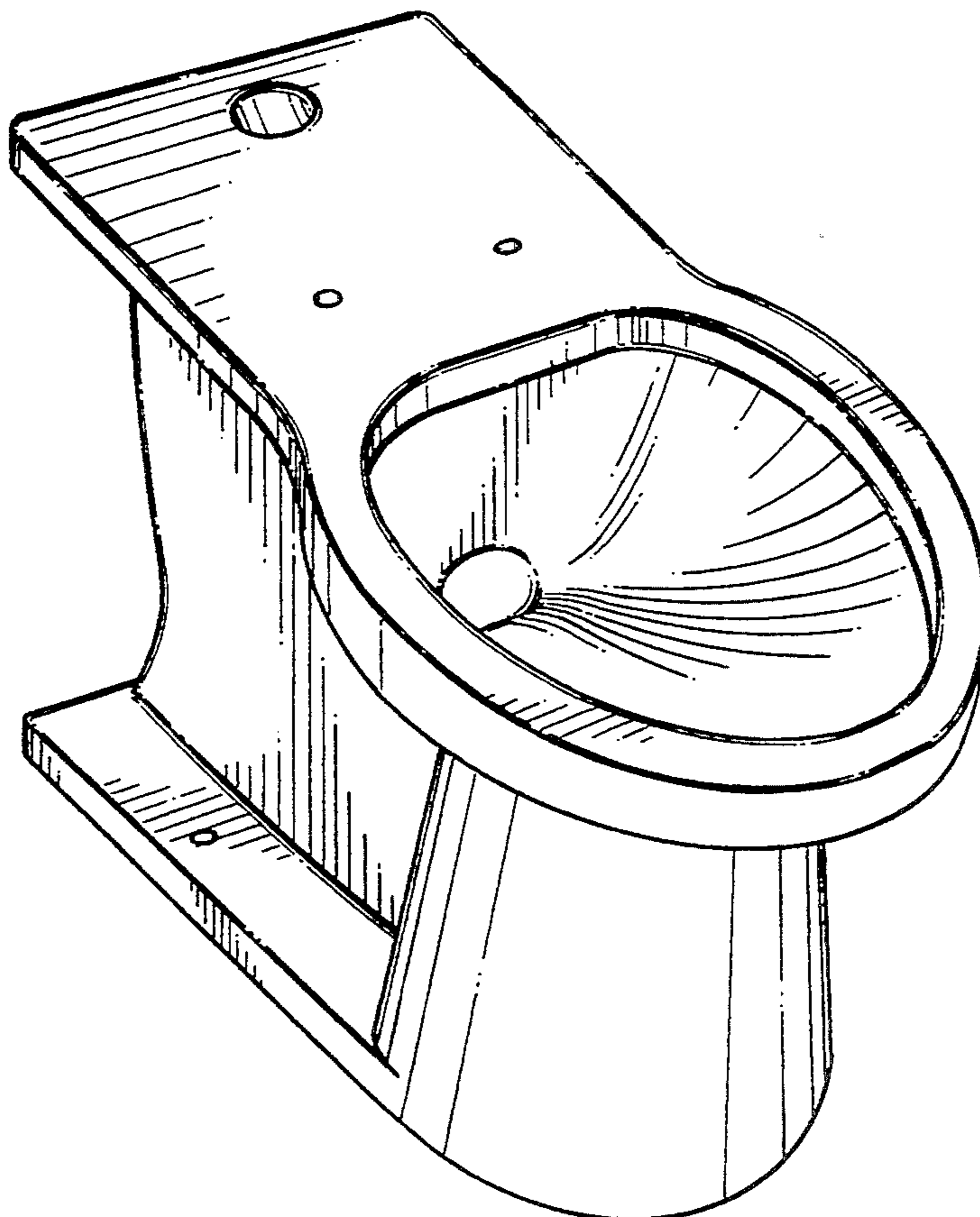
Primary Examiner—Stella Reid
Assistant Examiner—Eric Watterson
Attorney, Agent, or Firm—Basil Travis

[57] **CLAIM**

The ornamental design for a toilet bowl, as shown and described.

DESCRIPTION

FIG. 1 is a perspective view of a toilet bowl showing my new design;
FIG. 2 is a top plan view;
FIG. 3 is a side elevational view, the opposite side being a mirror image thereof;
FIG. 4 is a front elevational view;
FIG. 5 is a rear elevational view; and,
FIG. 6 is a bottom plan view thereof.



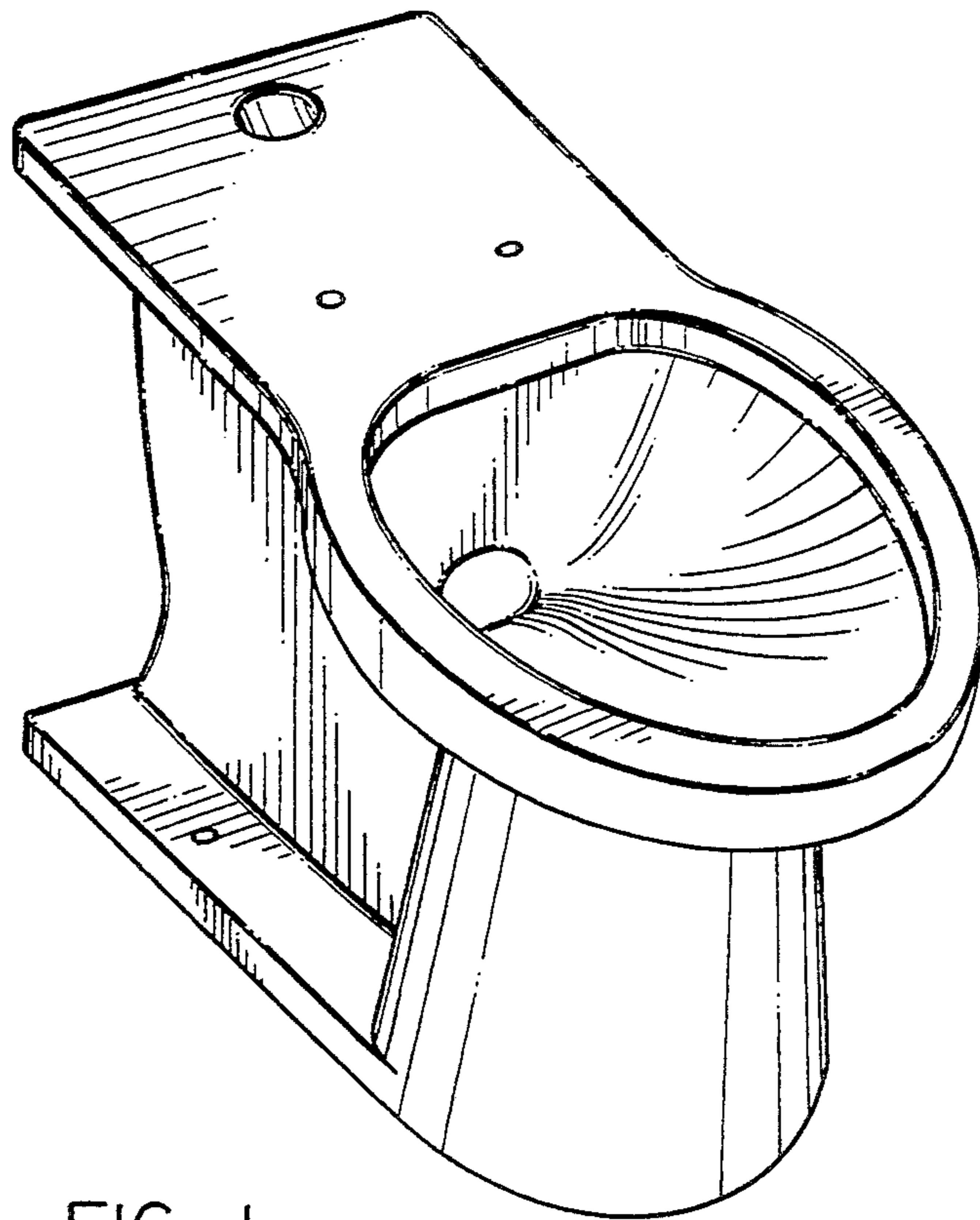


FIG. 1

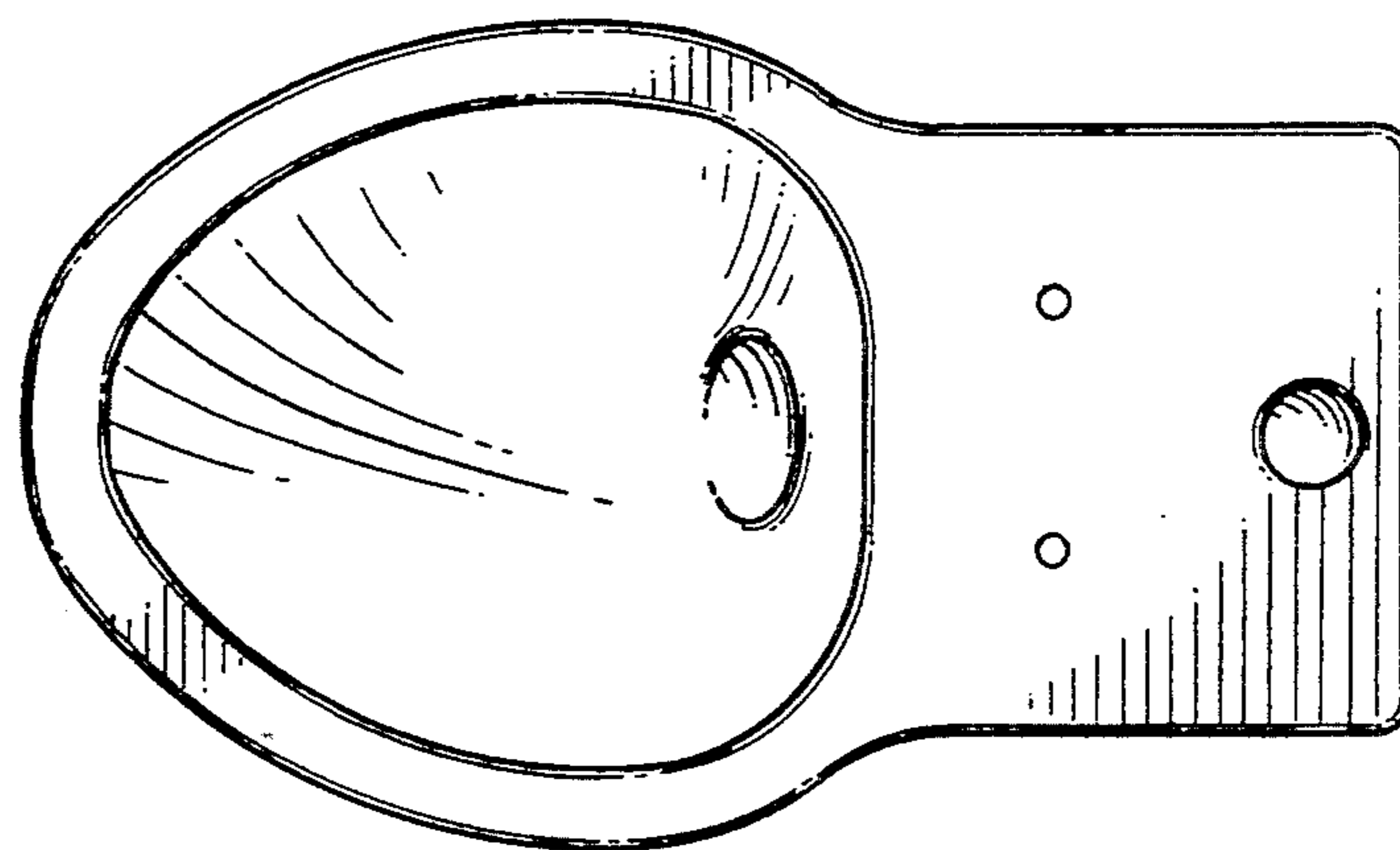


FIG. 2

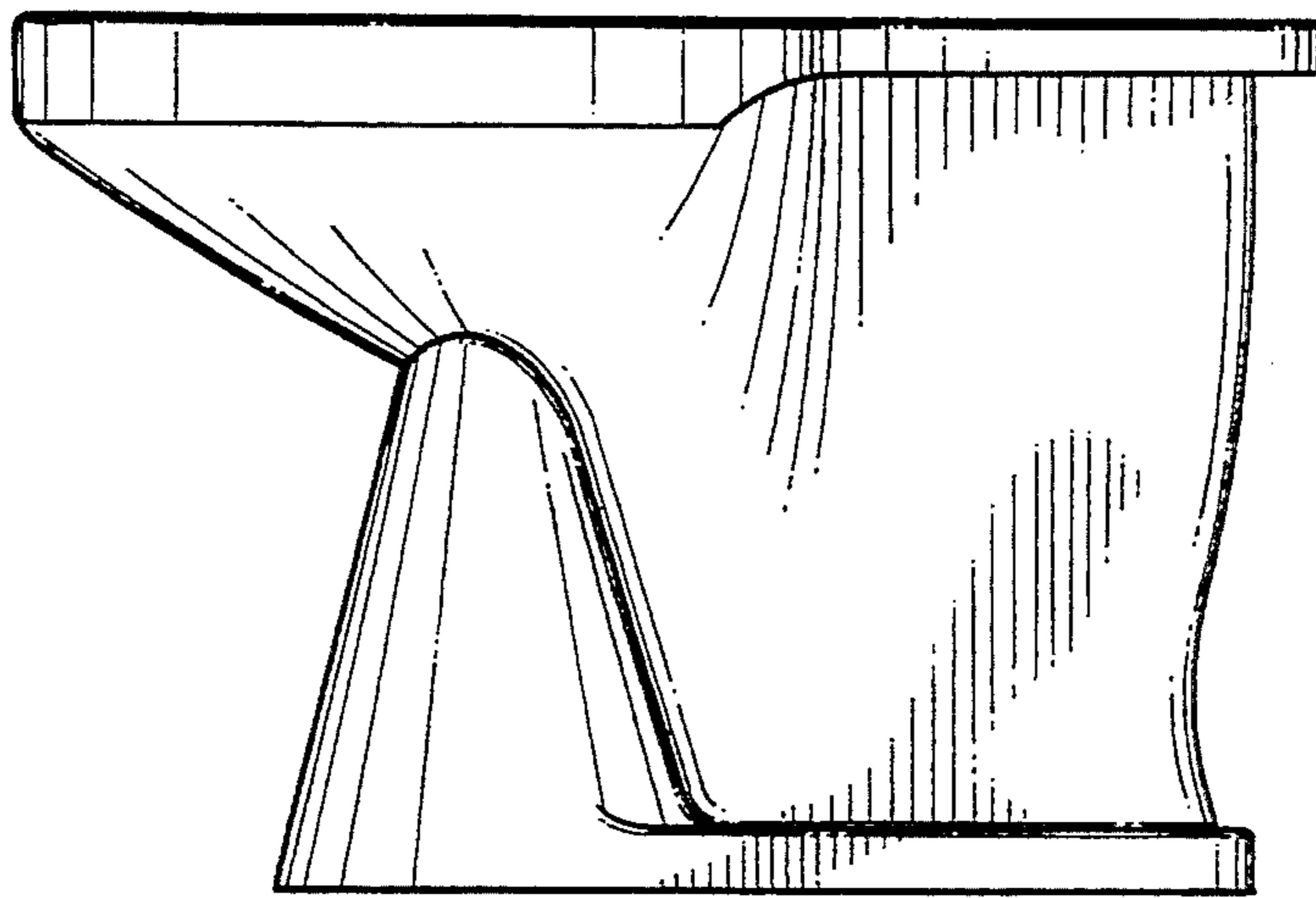


FIG. 3

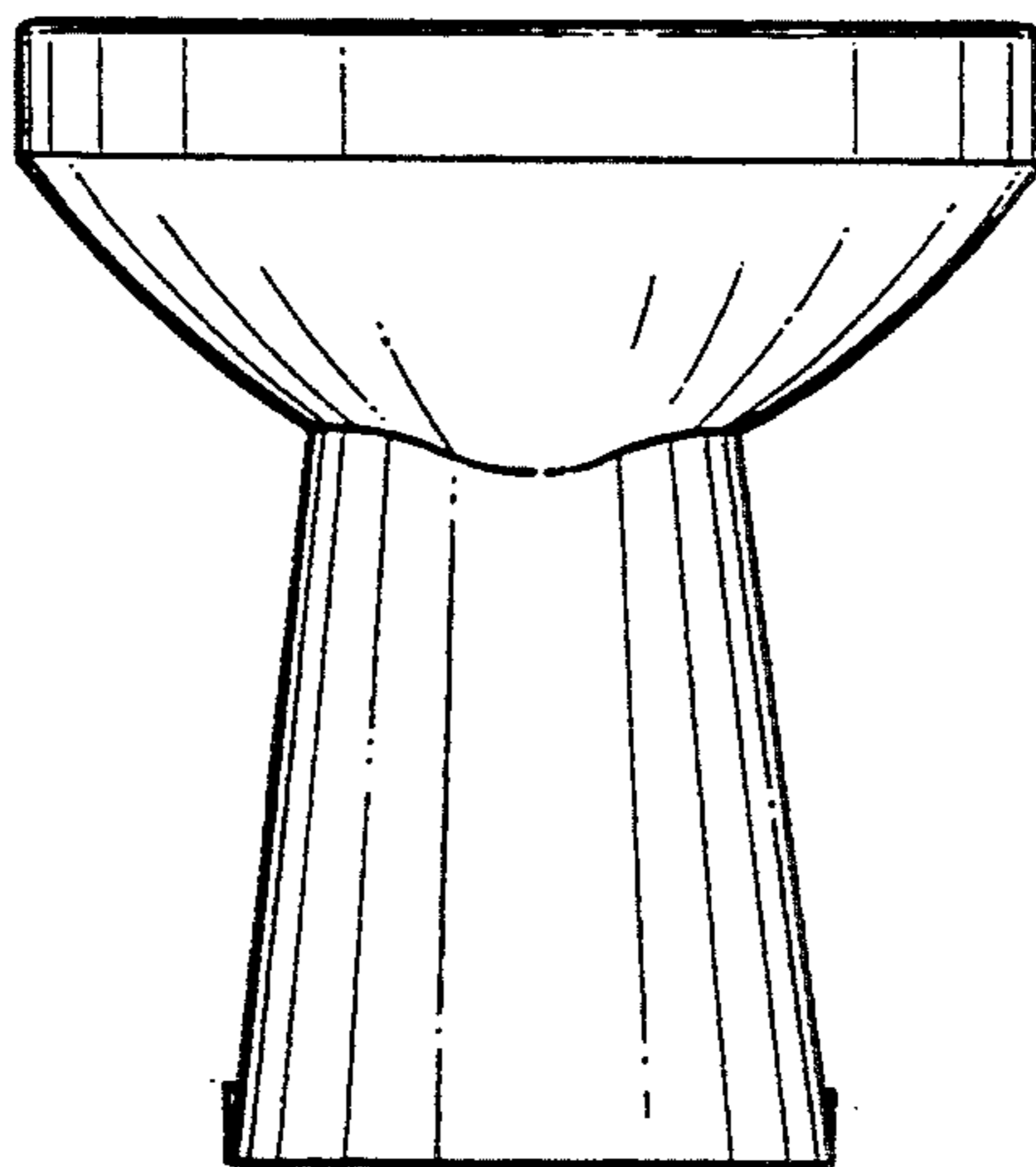


FIG. 4

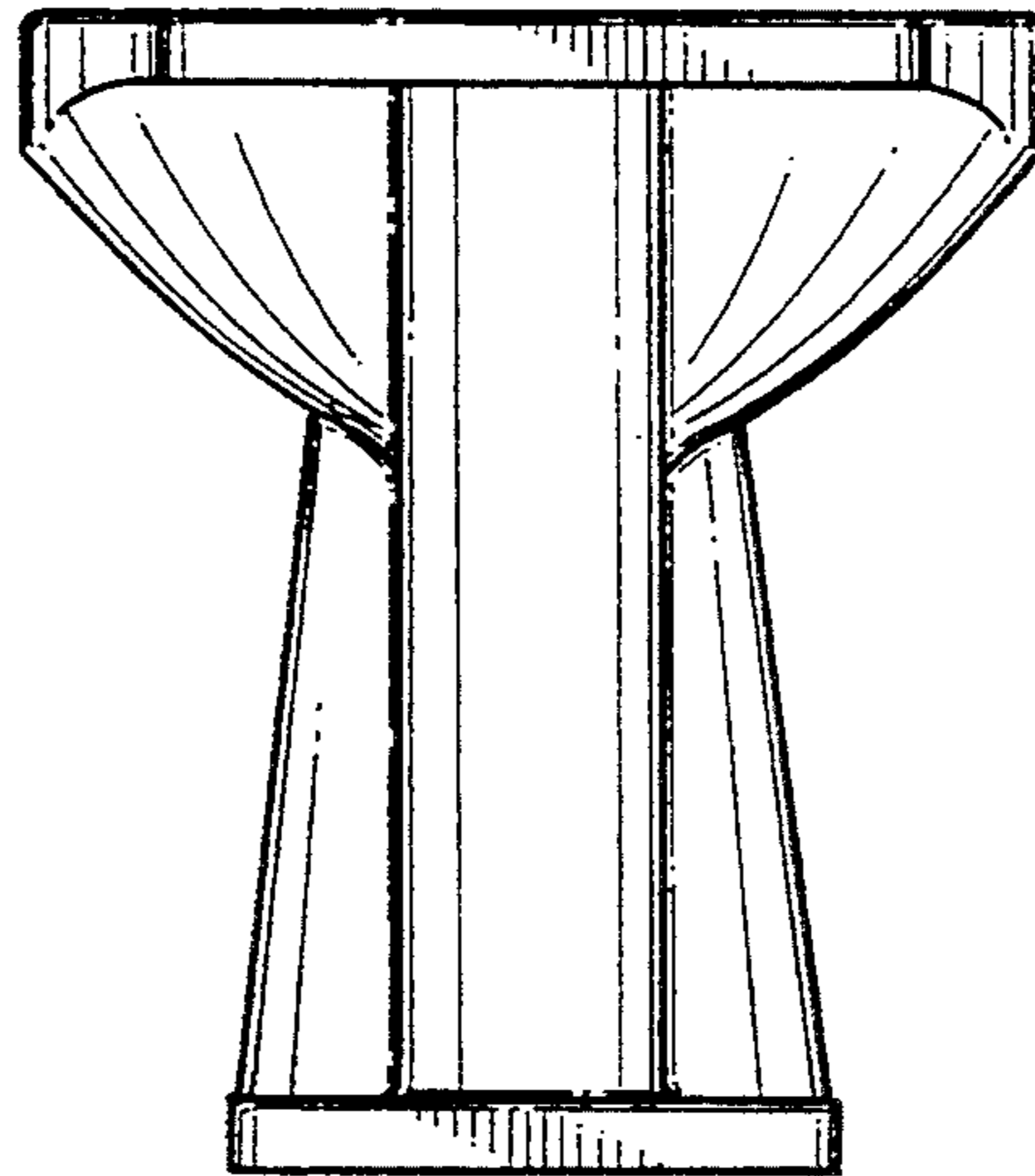


FIG. 5

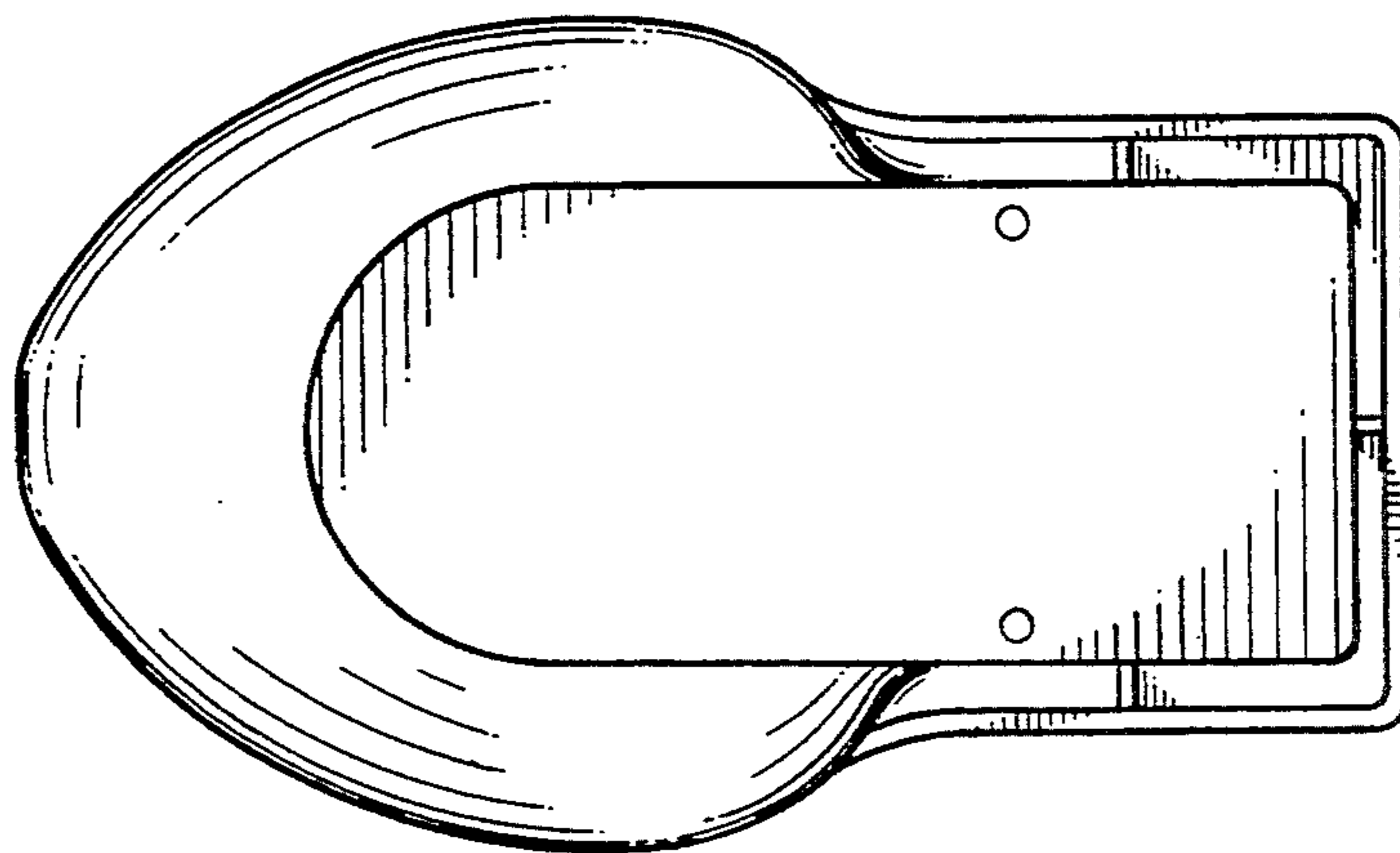


FIG. 6