



US00D360935S

# United States Patent [19]

[11] Patent Number: **Des. 360,935**

**Hohenthanner**

[45] Date of Patent: **\*\* Aug. 1, 1995**

[54] **LAVATORY**

[75] Inventor: **Franz G. Hohenthanner, München, Germany**

[73] Assignee: **American Standard Inc., N.J.**

[\*\*] Term: **14 Years**

[21] Appl. No.: **13,177**

[22] Filed: **Sep. 20, 1993**

[52] U.S. Cl. .... **D23/293.1**

[58] Field of Search ..... **D23/284-293.1; 4/619**

D. 260,678	9/1981	Hiller .....	D23/293.1
D. 312,123	11/1990	Enthoven .....	D23/293.1
D. 319,691	9/1991	Yvetot .....	D23/293.1
D. 332,996	2/1993	Hart et al. ....	D23/293.1
4,991,241	2/1991	Bergmann .....	4/619

*Primary Examiner*—Louis S. Zarfes  
*Assistant Examiner*—Eric Watterson  
*Attorney, Agent, or Firm*—Elaine Brenner Robinson;  
Ann M. Knab

### [57] CLAIM

The ornamental design for a lavatory, as shown and described.

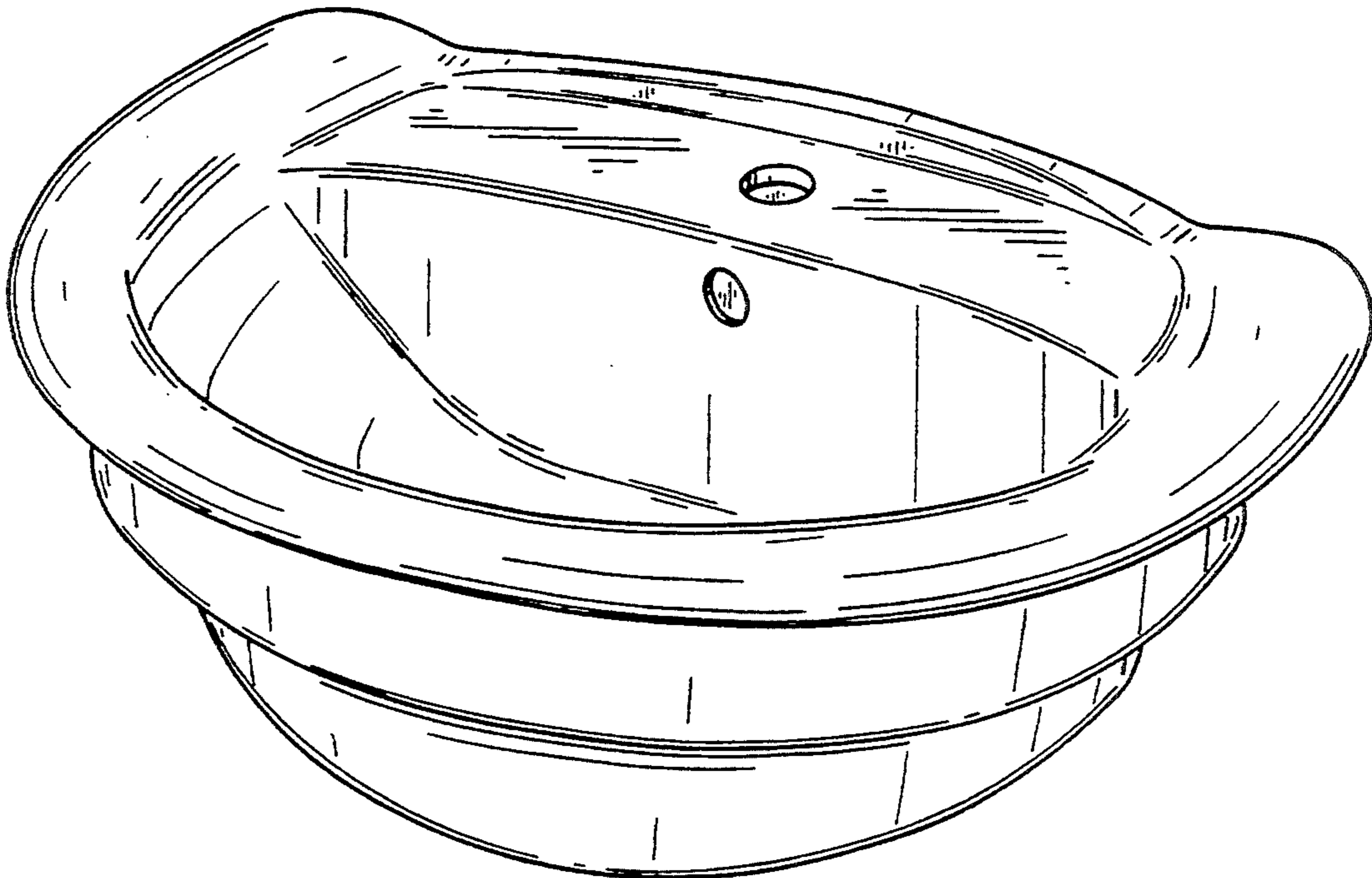
### DESCRIPTION

FIG. 1 is a top, front and right side perspective view of a lavatory showing my new design;  
FIG. 2 is a left side elevational view thereof, the right side being a mirror image of the left side;  
FIG. 3 is a front elevational view thereof;  
FIG. 4 is a top plan view thereof;  
FIG. 5 is a bottom plan view thereof; and,  
FIG. 6 is a rear elevational view thereof.

### [56] References Cited

#### U.S. PATENT DOCUMENTS

D. 202,411	9/1965	Niemann .....	D23/293.1
D. 215,291	9/1969	Owings .....	D23/293.1
D. 218,520	8/1970	Audino et al. ....	D23/293.1
D. 222,465	10/1971	Anderson .....	D23/293.1
D. 238,070	12/1975	Ganger .....	D23/293.1
D. 246,050	10/1977	Garasi .....	D23/293.1



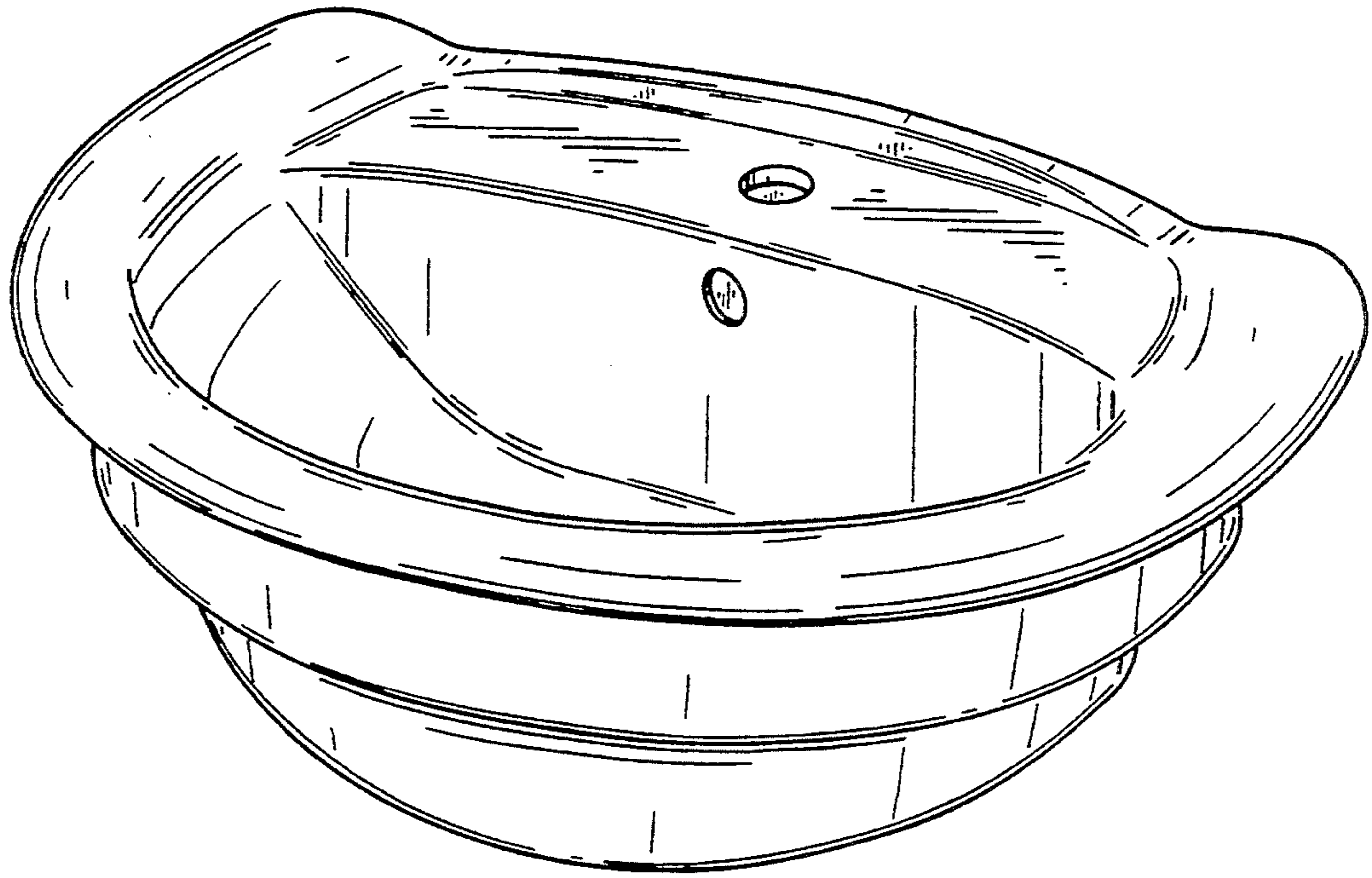


FIG. 1

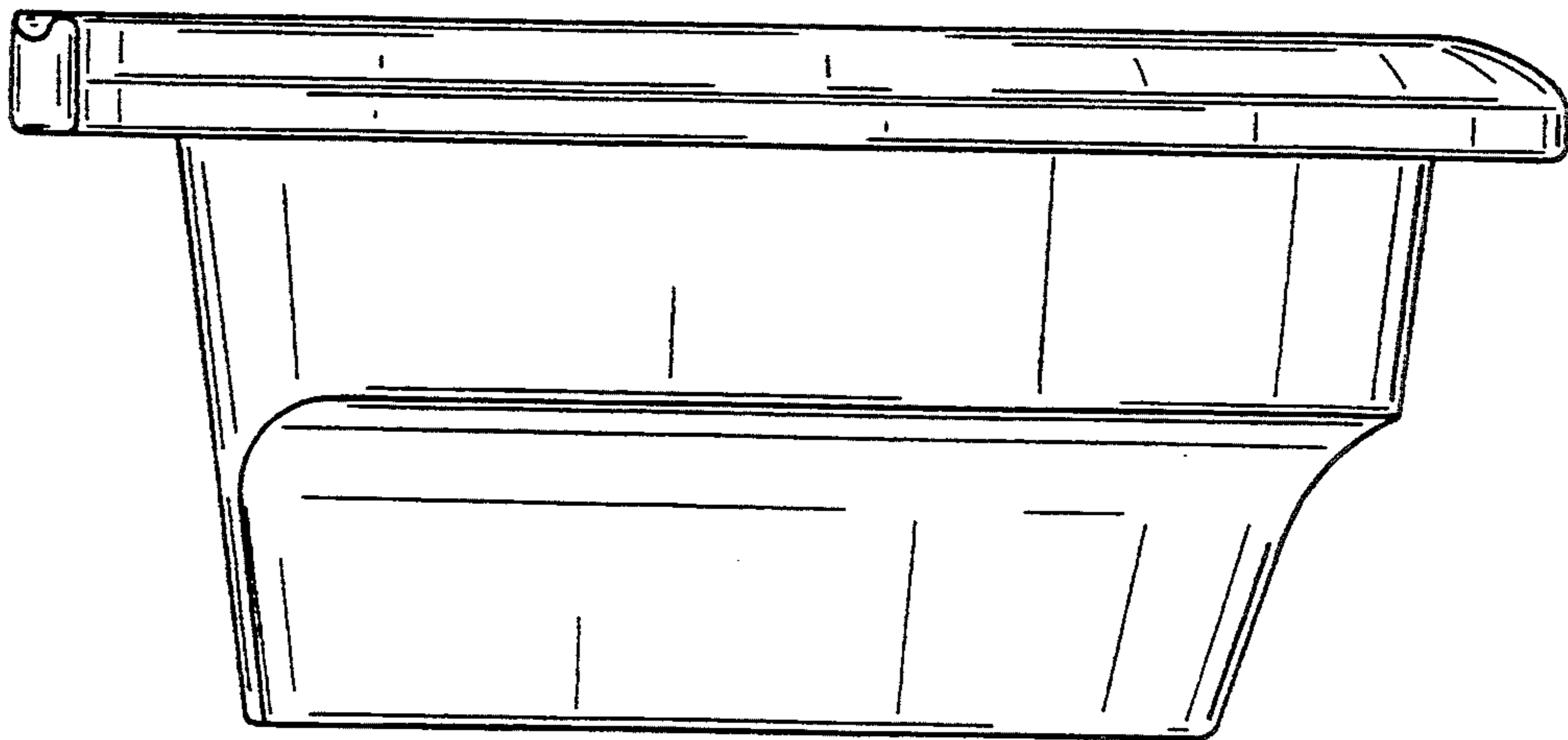


FIG. 2

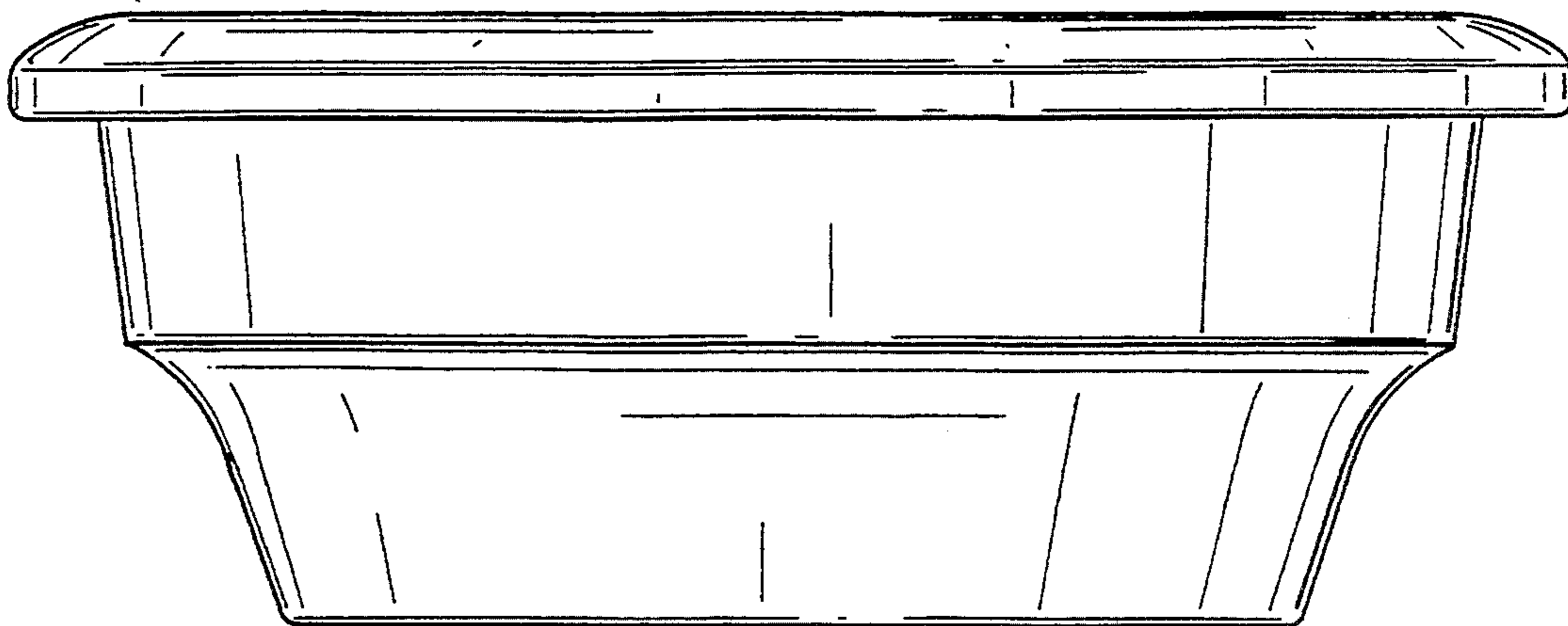


FIG. 3

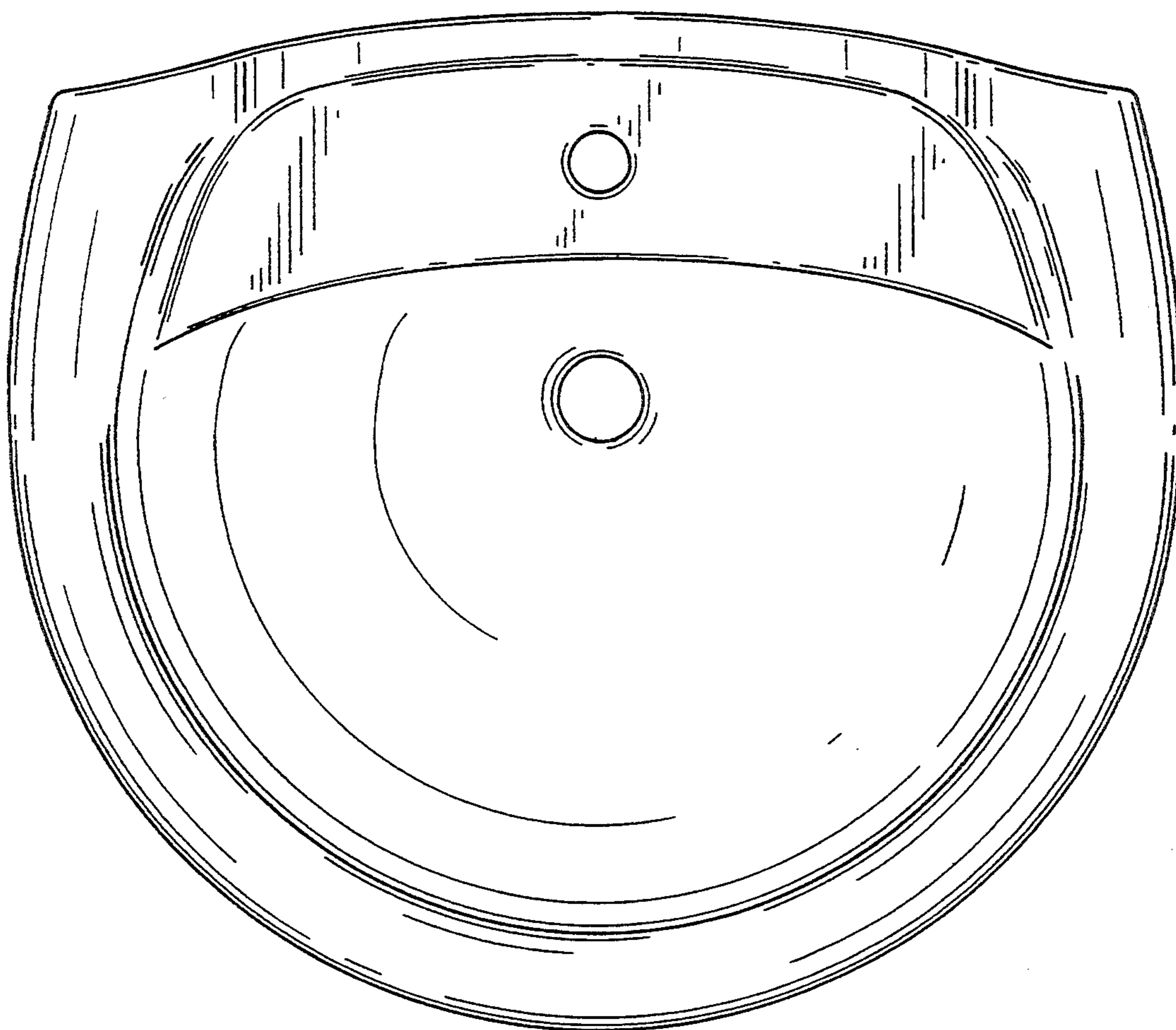


FIG. 4

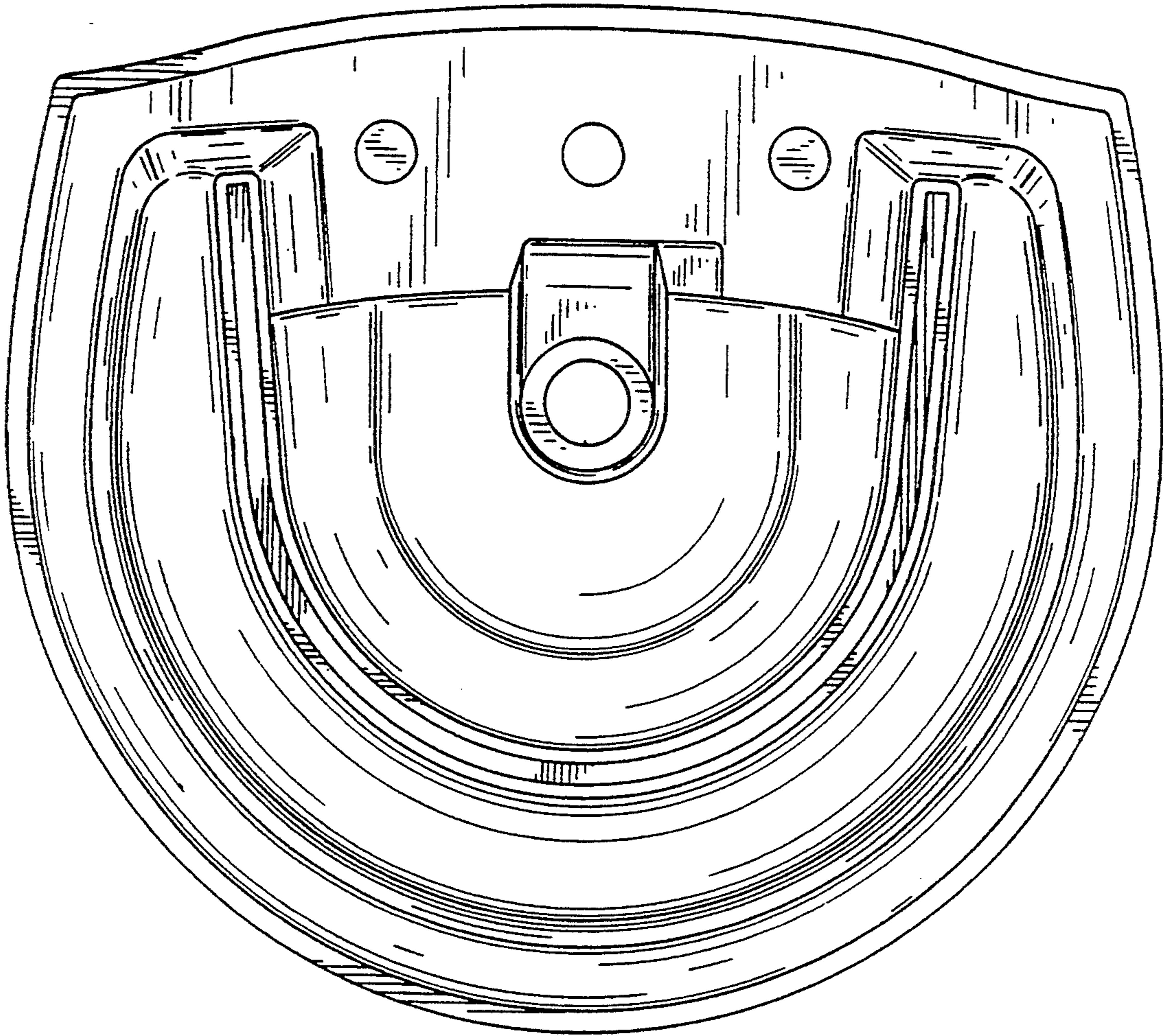


FIG. 5

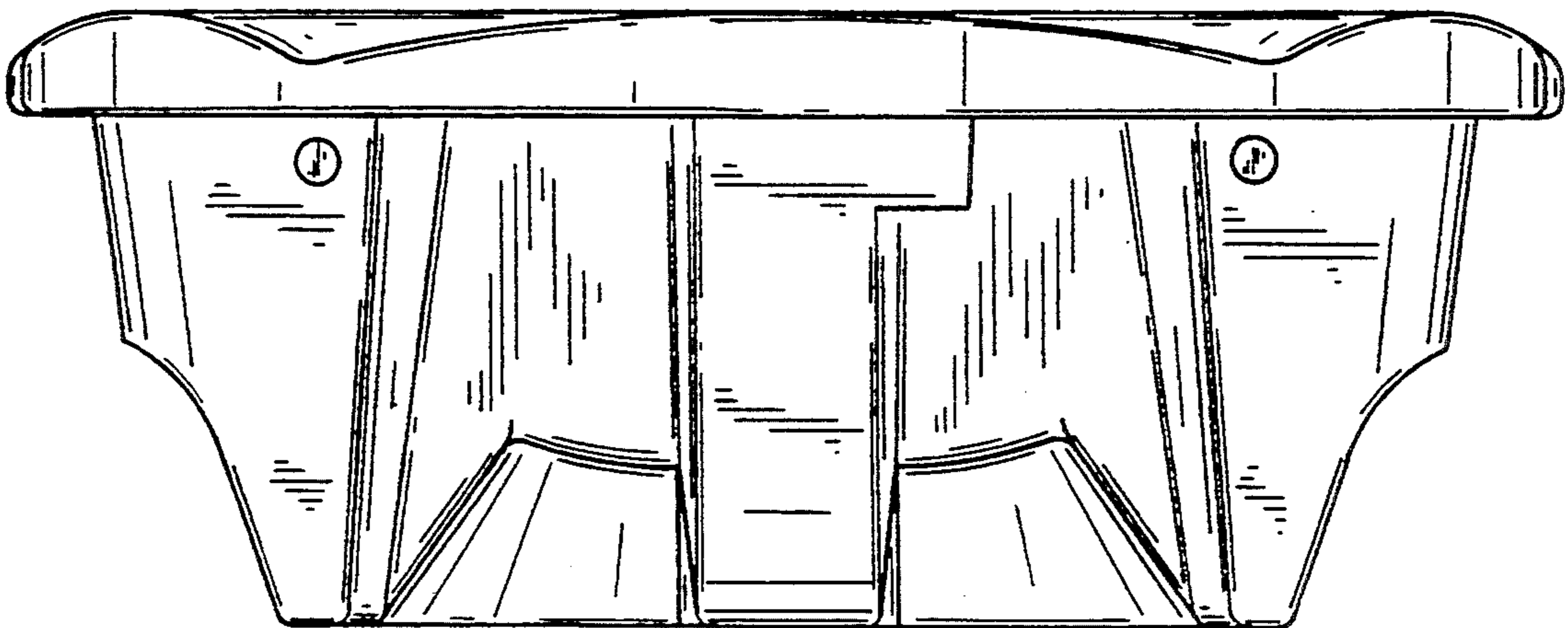


FIG. 6