



US00D360934S

United States Patent [19]

[11] Patent Number: **Des. 360,934**

Bertoli

[45] Date of Patent: **** Aug. 1, 1995**

[54] LAVATORY

[76] Inventor: **Franco Bertoli**, Piazza Napoli 15,
20146 Milano, Italy

[**] Term: **14 Years**

[21] Appl. No.: **14,168**

[22] Filed: **Oct. 14, 1993**

[52] U.S. Cl. **D23/292**

[58] Field of Search **D23/284-294;**
4/619, 631-640, 643, 645-648

[56] **References Cited**

U.S. PATENT DOCUMENTS

D. 202,410	9/1965	Sundberg	D23/294
D. 258,079	1/1981	Primault	D23/292
D. 258,906	4/1981	Doman	D23/292
D. 264,749	6/1982	Bengtson	D23/292
D. 274,164	6/1984	Enthoven	D23/292
D. 289,792	5/1987	Hardion	D23/292
D. 292,732	11/1987	Gates et al.	D23/292
D. 293,930	1/1988	Reid	D23/292
D. 318,909	8/1991	Lenclos	D23/292
D. 325,626	4/1992	Rogonot	D23/292

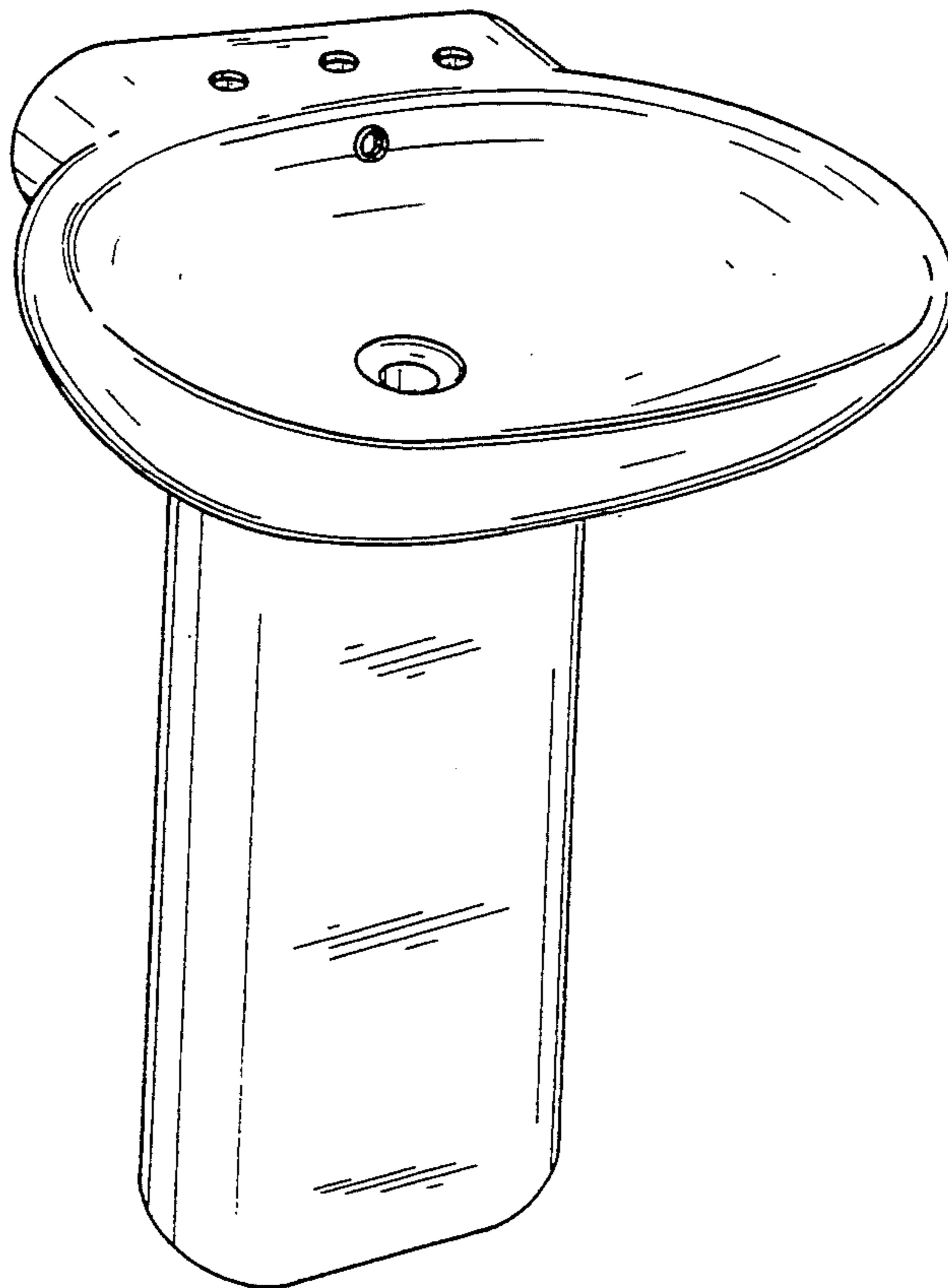
Primary Examiner—A. Hugo Word
Assistant Examiner—Eric Watterson
Attorney, Agent, or Firm—Elaine Brenner Robinson;
Ann M. Knab

[57] **CLAIM**

The ornamental design for a lavatory, as shown and described.

DESCRIPTION

FIG. 1 is a top, front and left side perspective view of a lavatory showing my new design;
FIG. 2 is a top plan view thereof;
FIG. 3 is a right side elevational view thereof, the left side being a mirror image of the right side;
FIG. 4 is a front elevational view thereof;
FIG. 5 is a rear elevational view thereof;
FIG. 6 is a bottom plan view thereof;
FIG. 7 is a sectional view thereof taken on line 7—7 of FIG. 2;
FIG. 8 is a sectional view thereof taken on line 8—8 of FIG. 2;
FIG. 9 is a top, front and left side perspective view of a second embodiment thereof;
FIG. 10 is a top plan view of FIG. 9;
FIG. 11 is a right side elevational view of FIG. 9, the left side being a mirror image of the right side;
FIG. 12 is a front elevational view of FIG. 9;
FIG. 13 is a rear elevational view of FIG. 9;
FIG. 14 is a bottom plan view of FIG. 9;
FIG. 15 is a sectional view thereof taken on line 15—15 of FIG. 10; and,
FIG. 16 is a sectional view thereof taken on line 16—16 of FIG. 10.



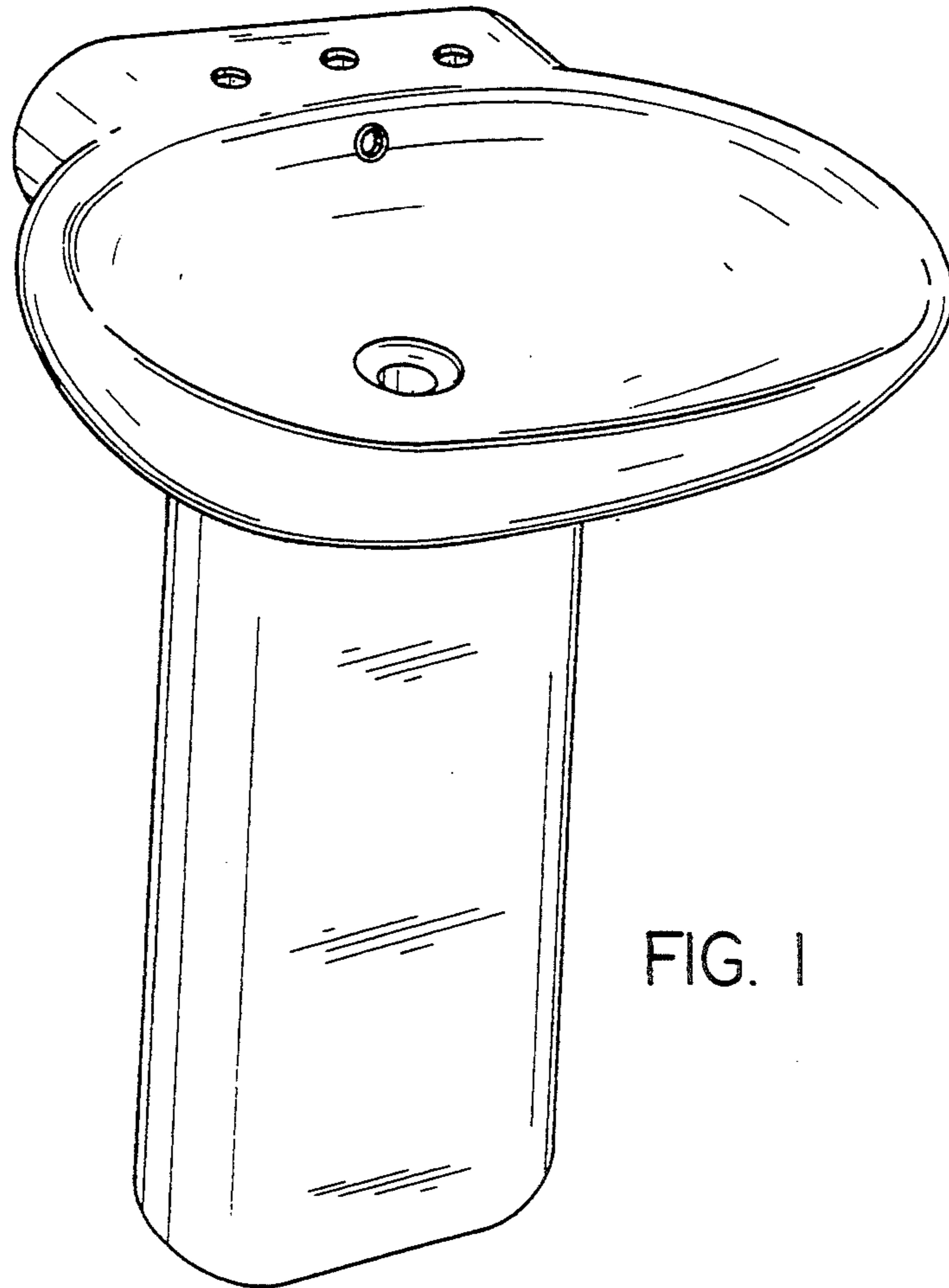


FIG. 1

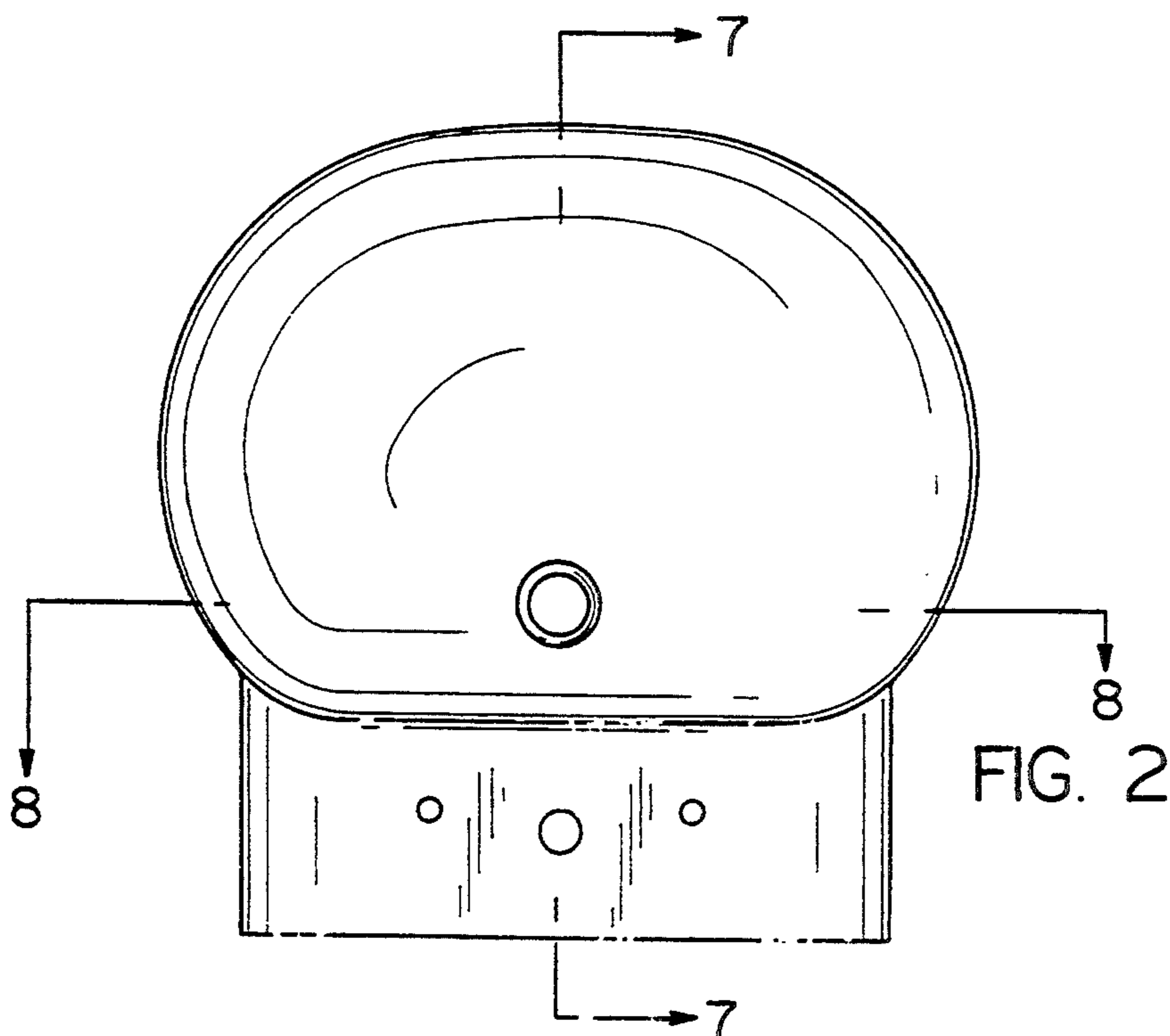


FIG. 2

FIG. 3

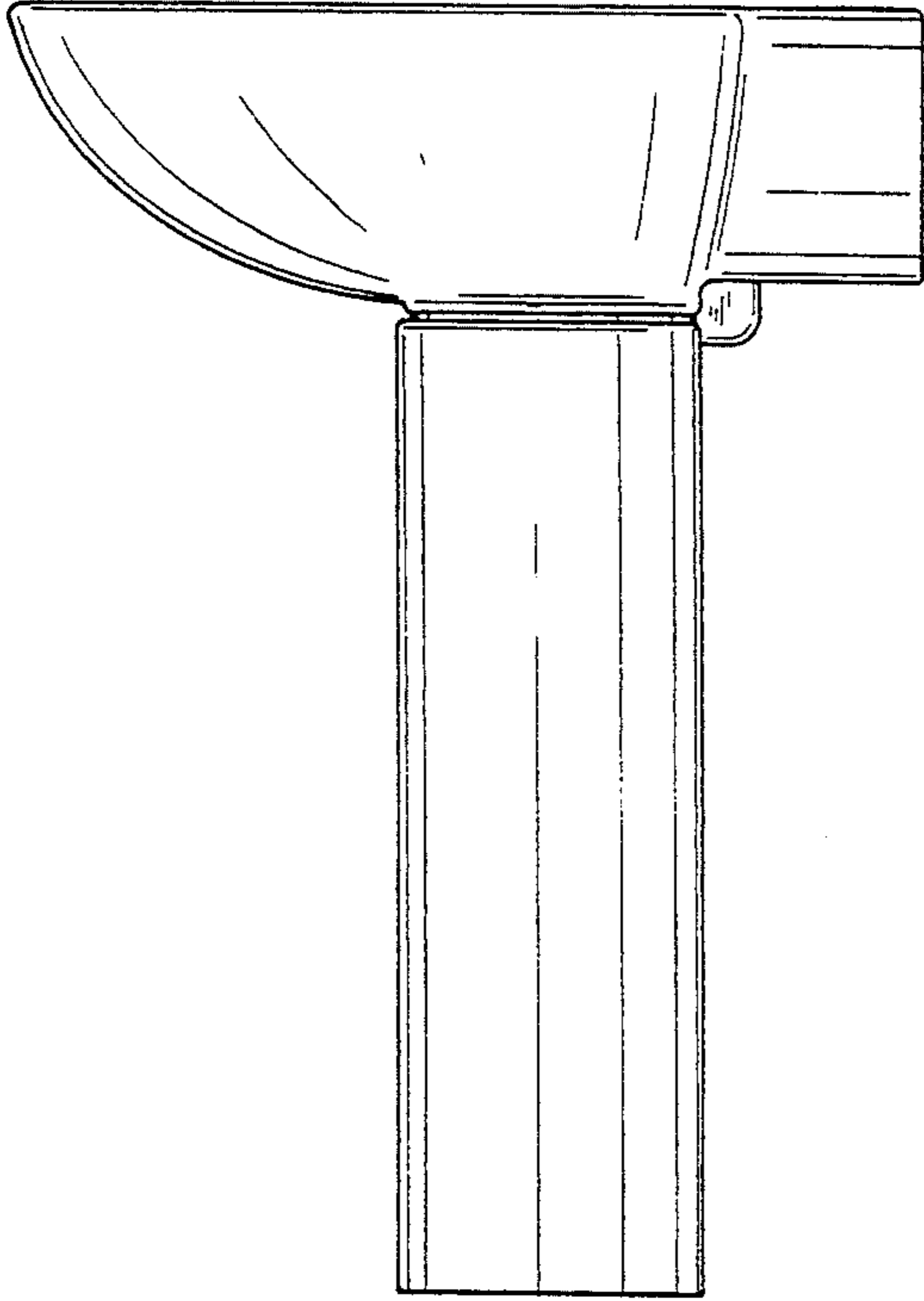


FIG. 4

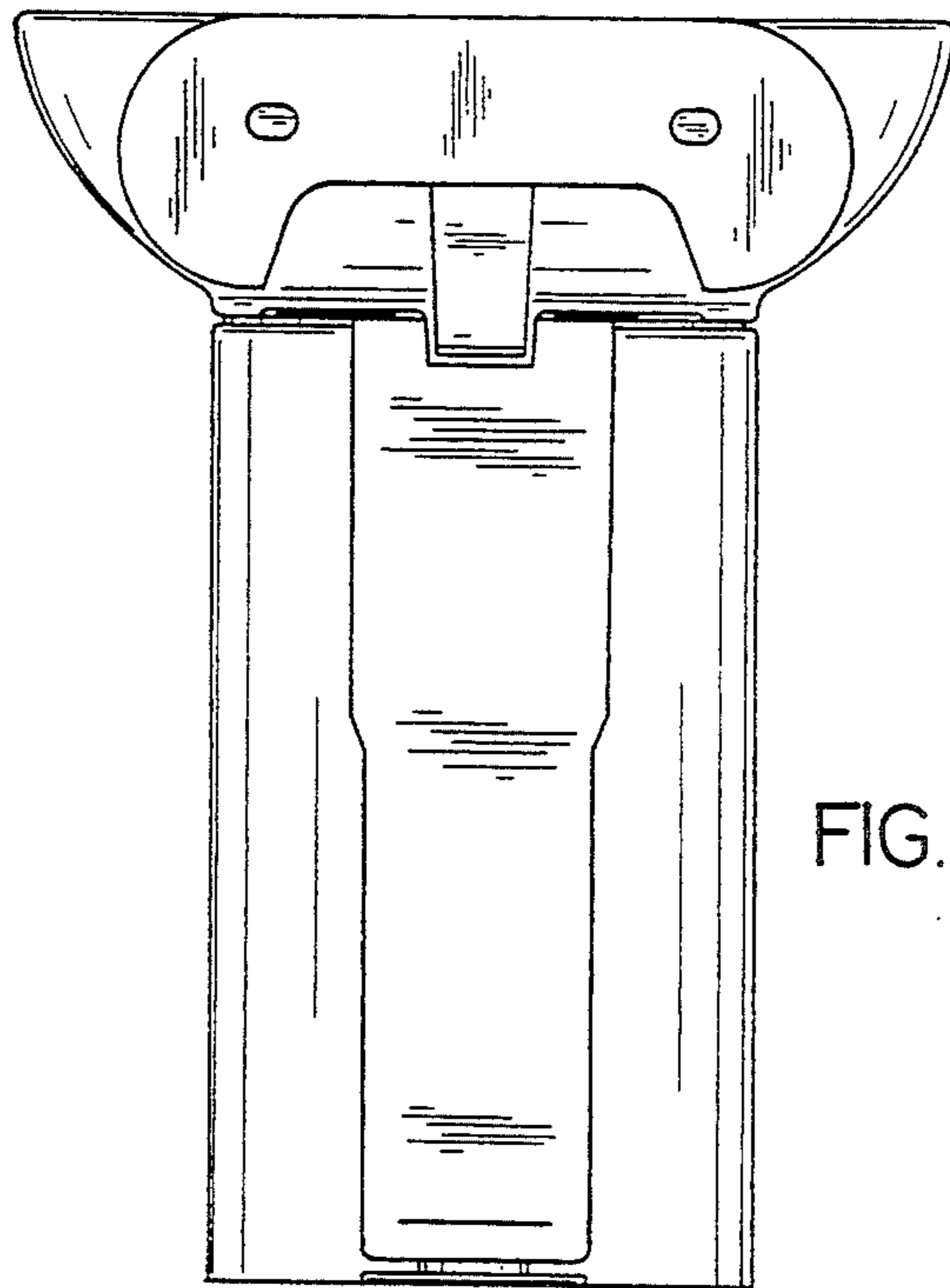
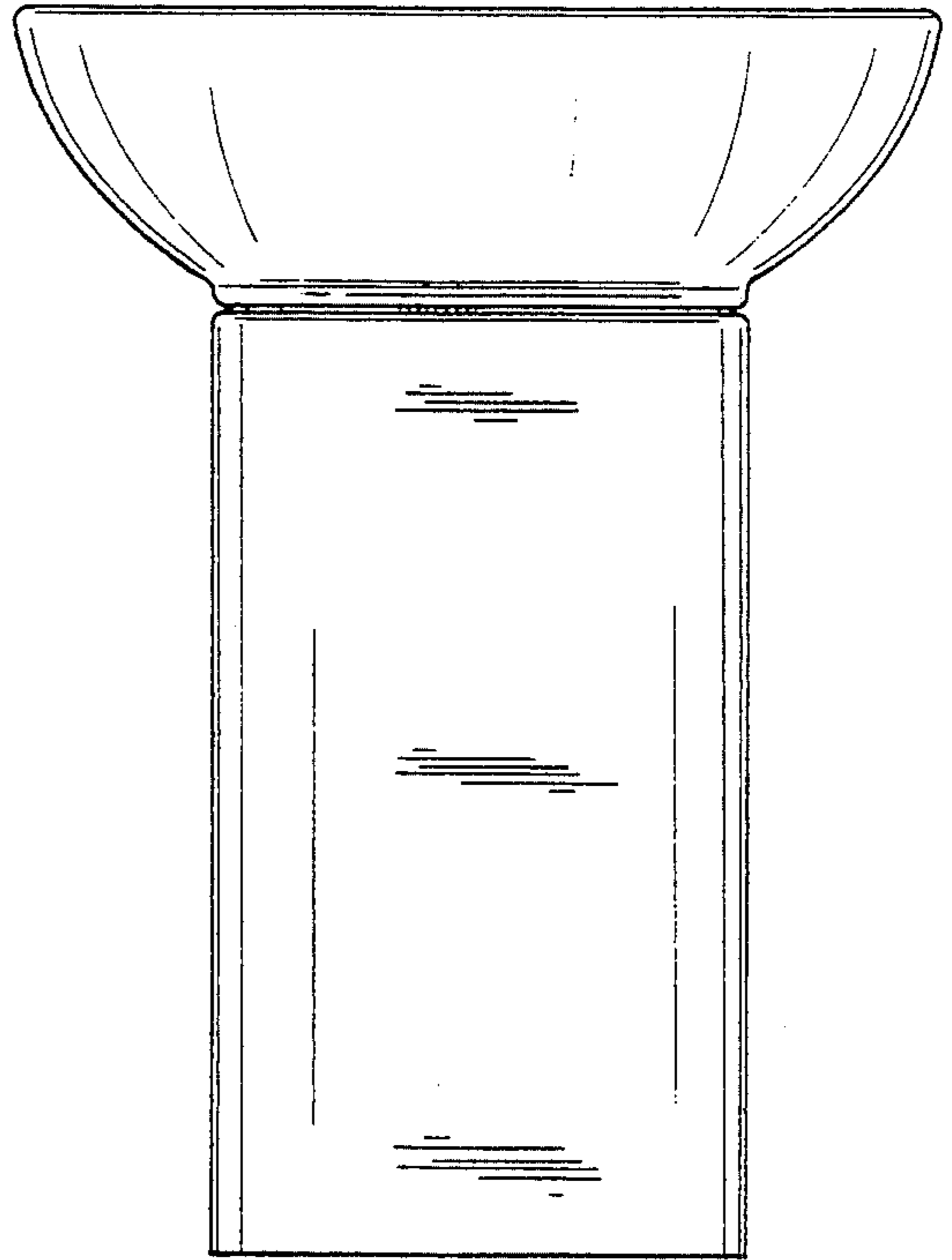


FIG. 5

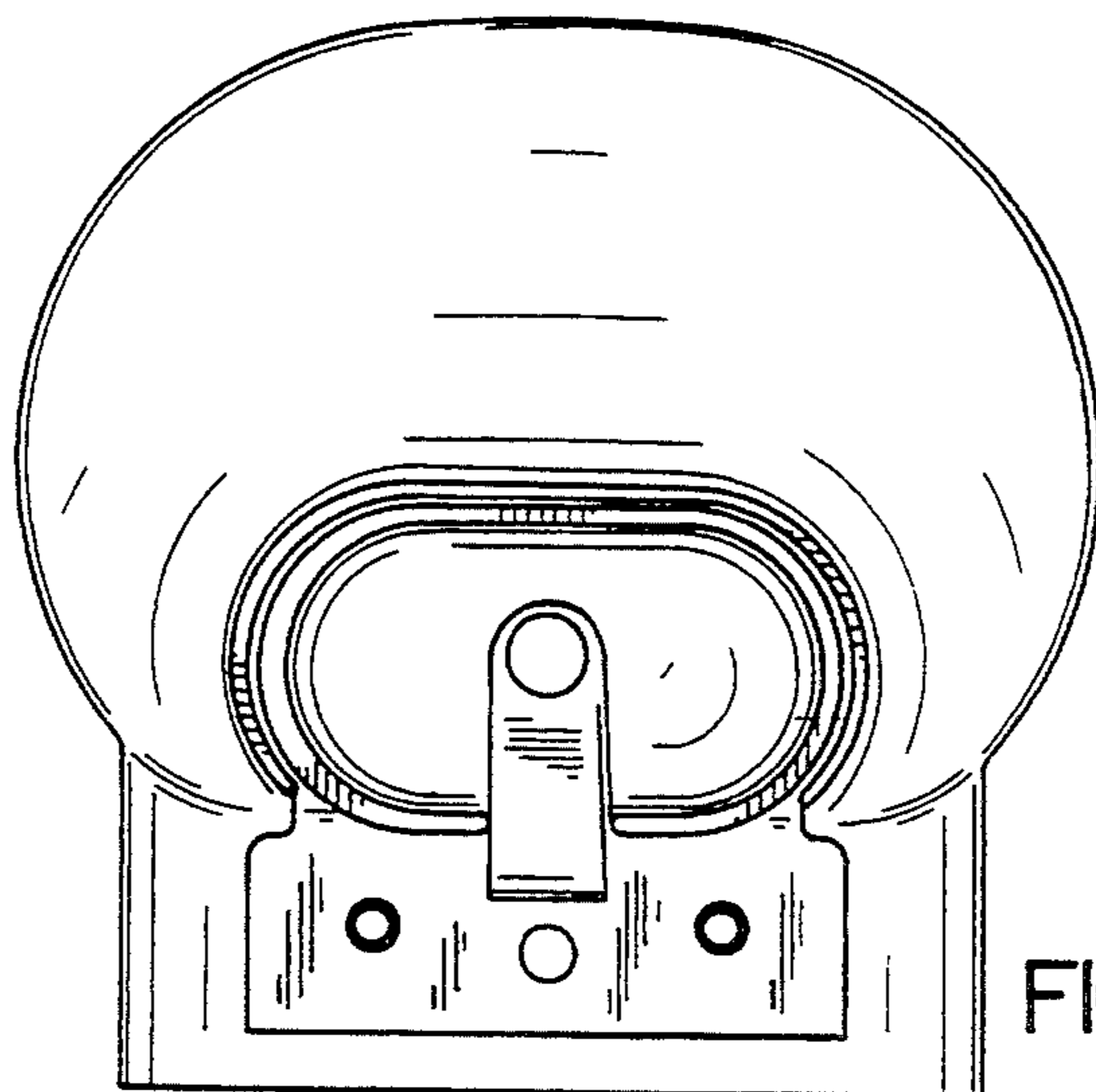


FIG. 6

FIG. 7

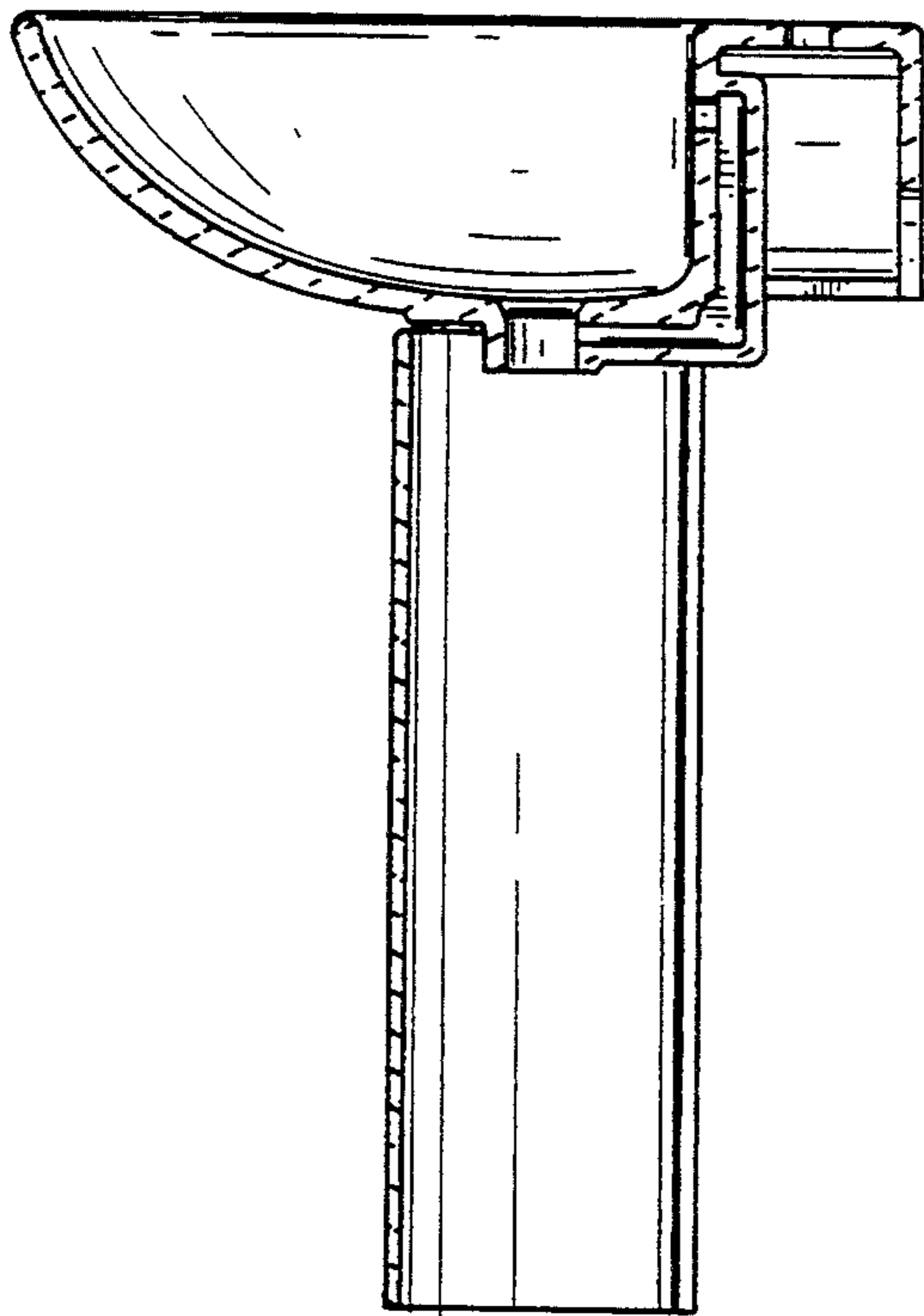
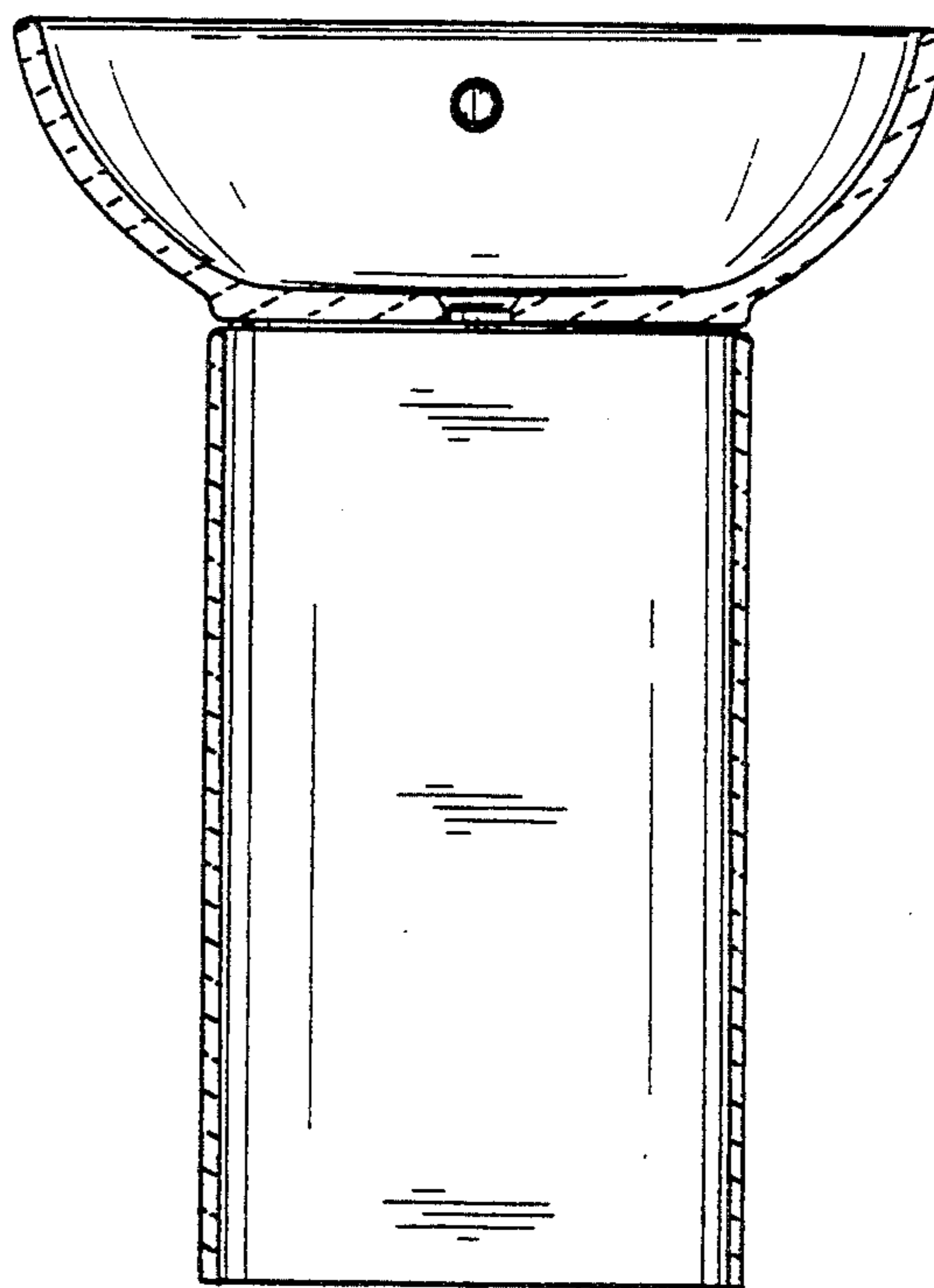


FIG. 8



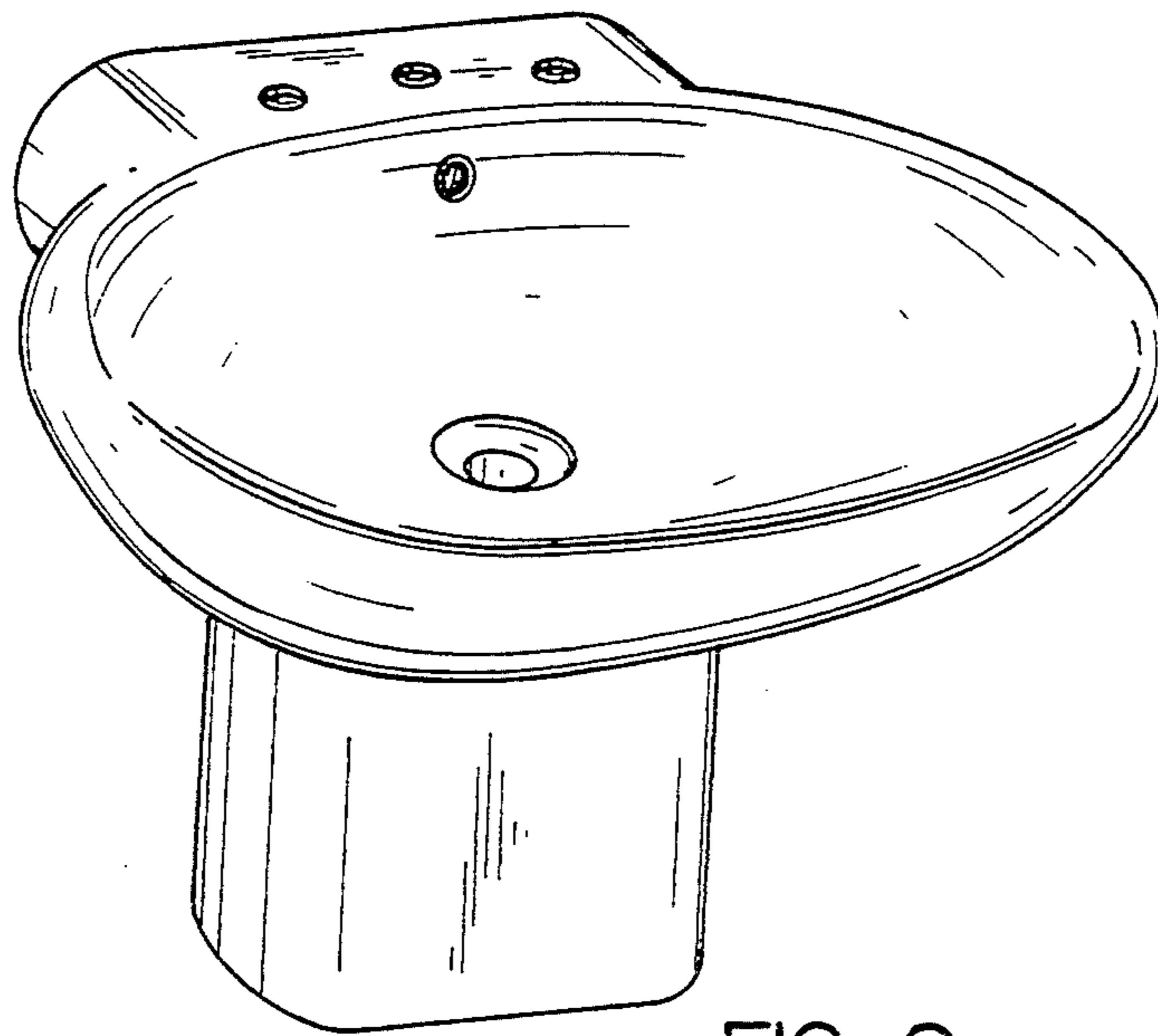


FIG. 9

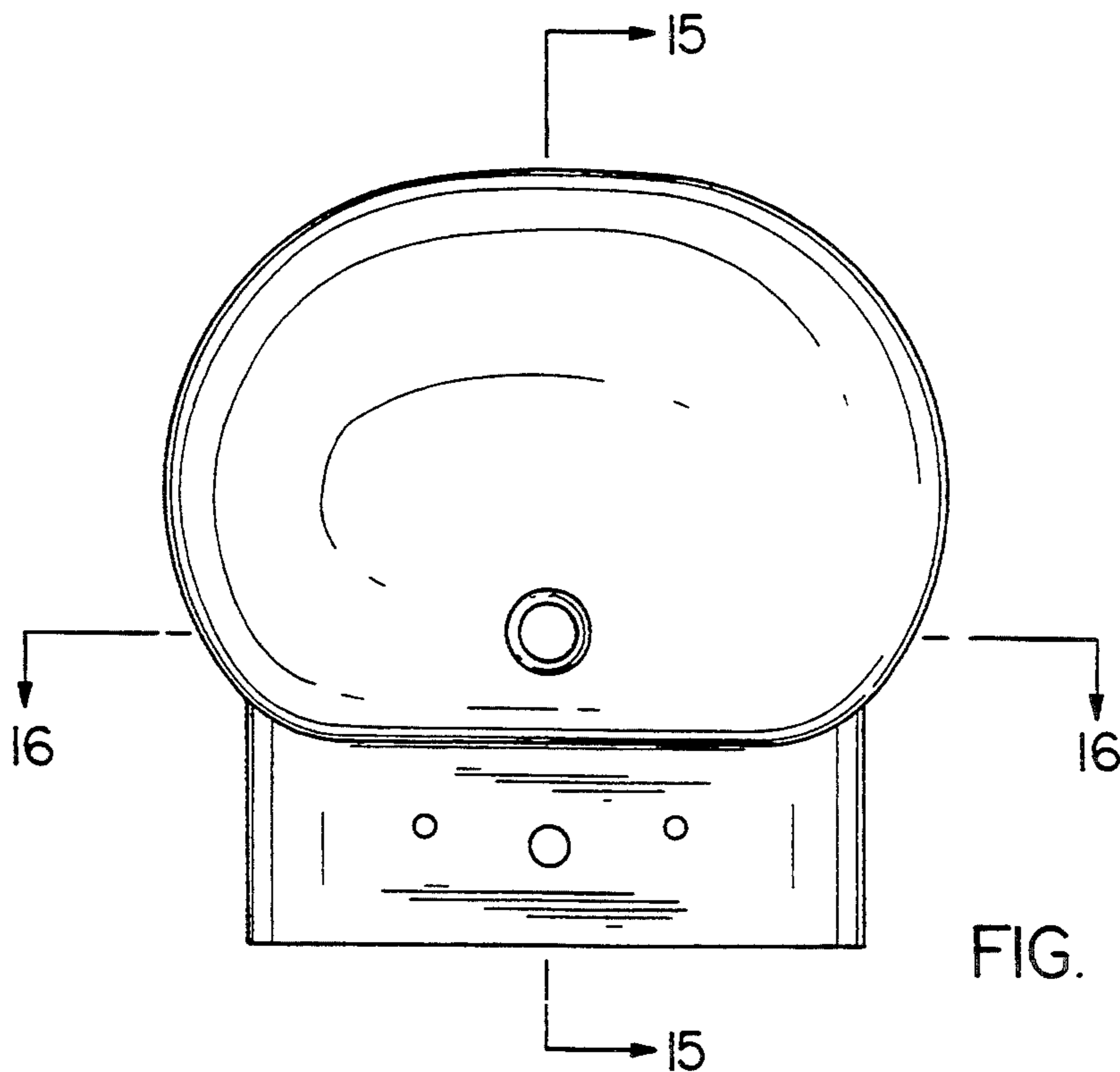


FIG. 10

FIG. 11

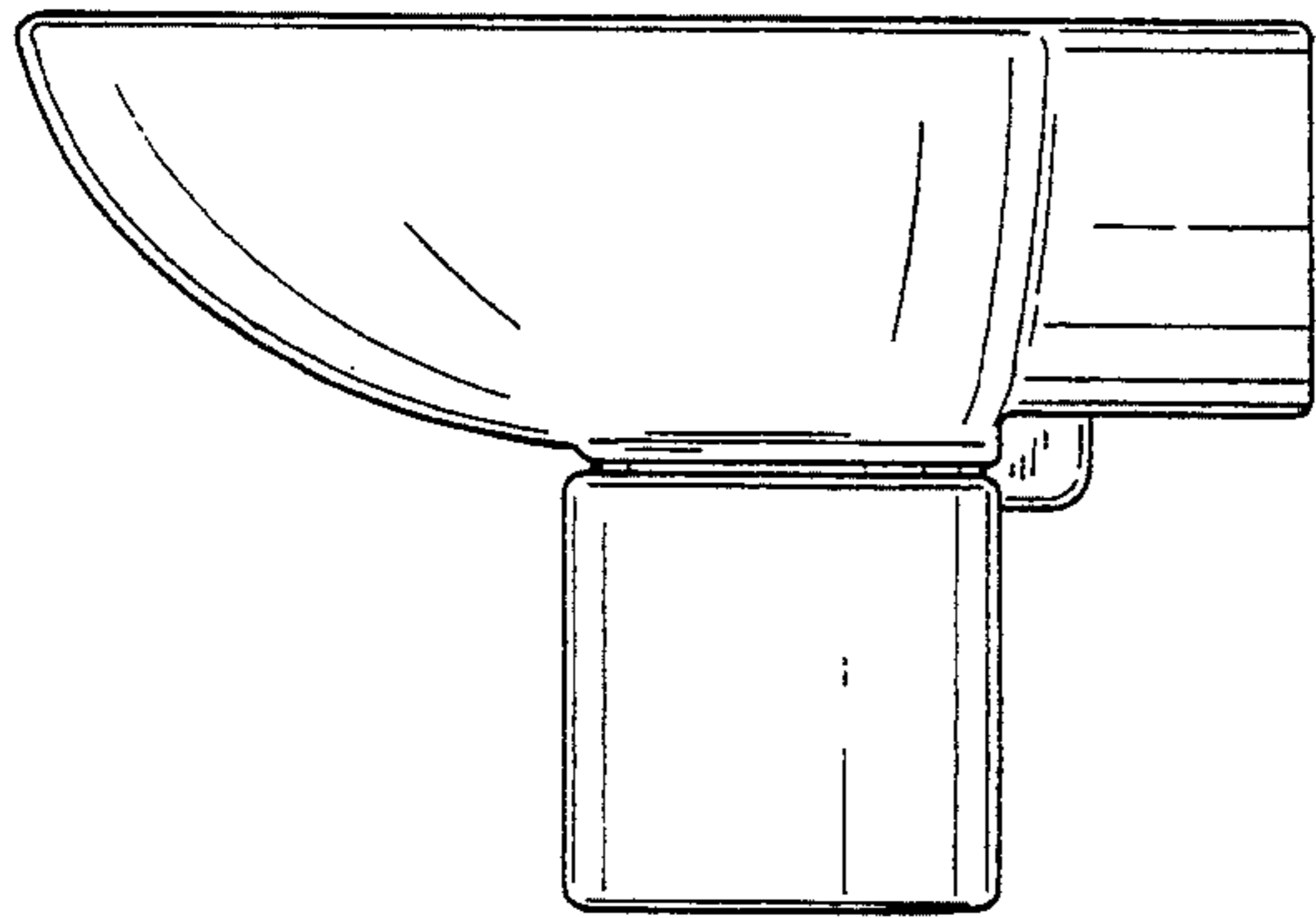


FIG. 12

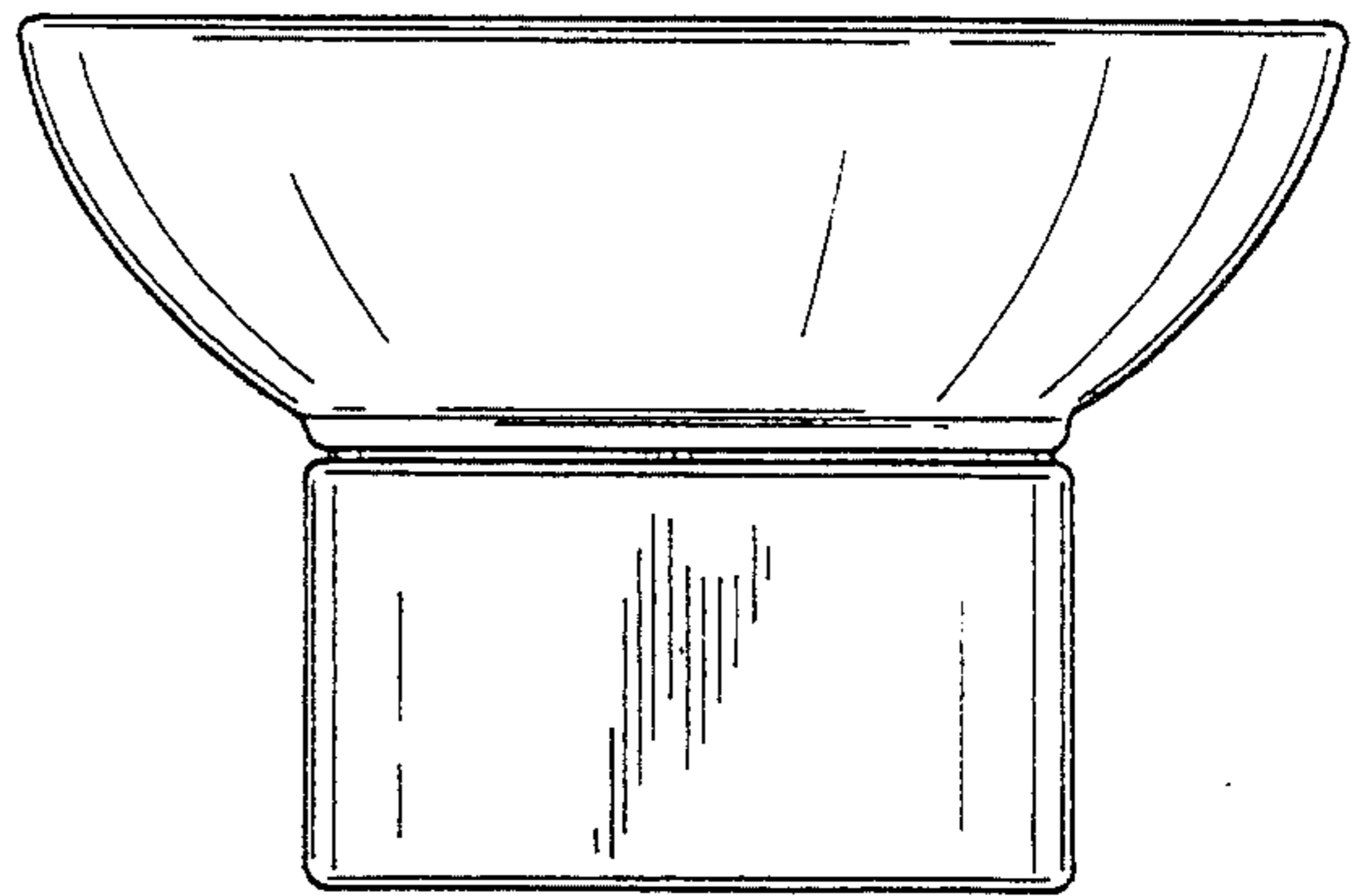


FIG. 13

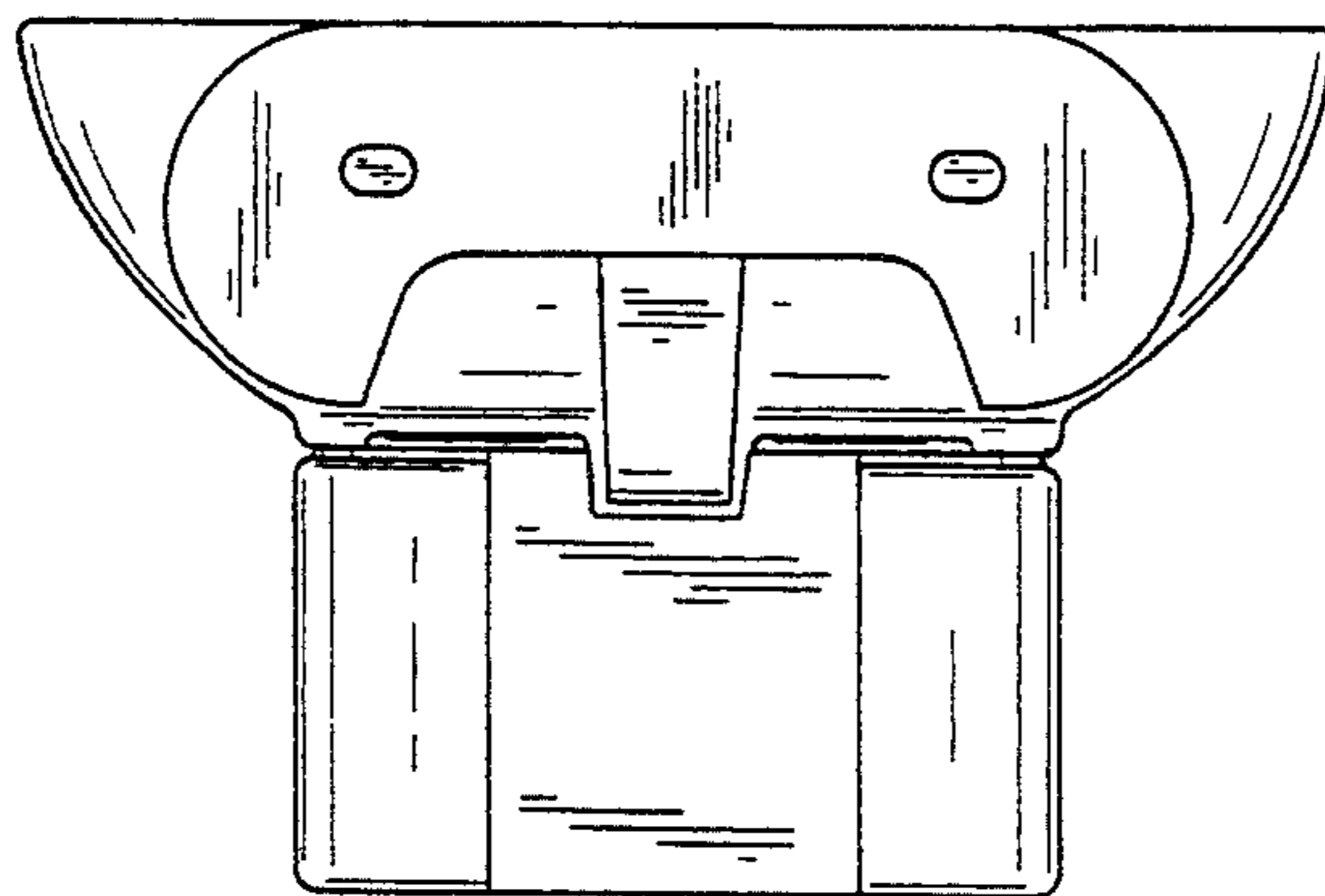


FIG. 14

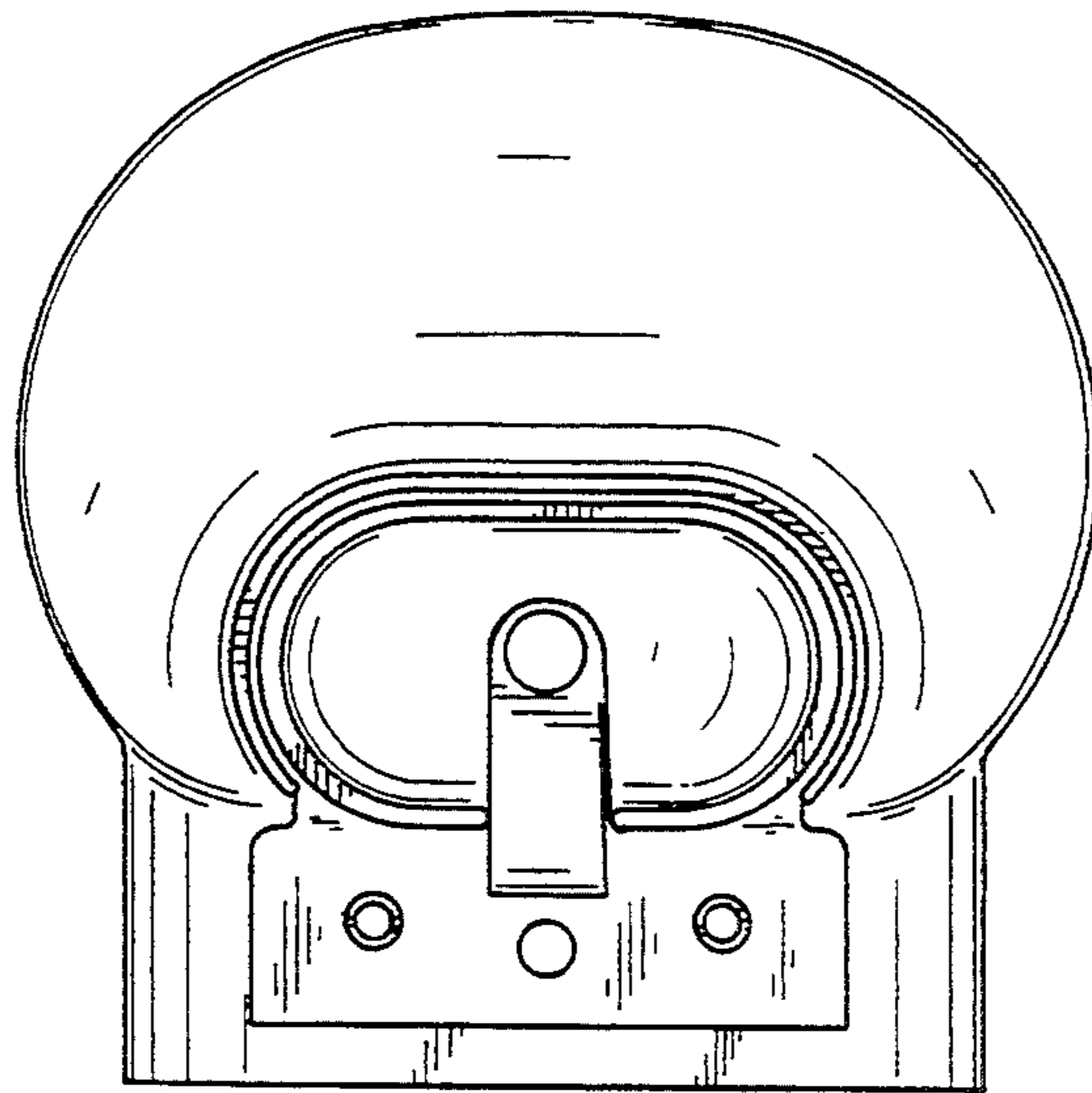


FIG. 15

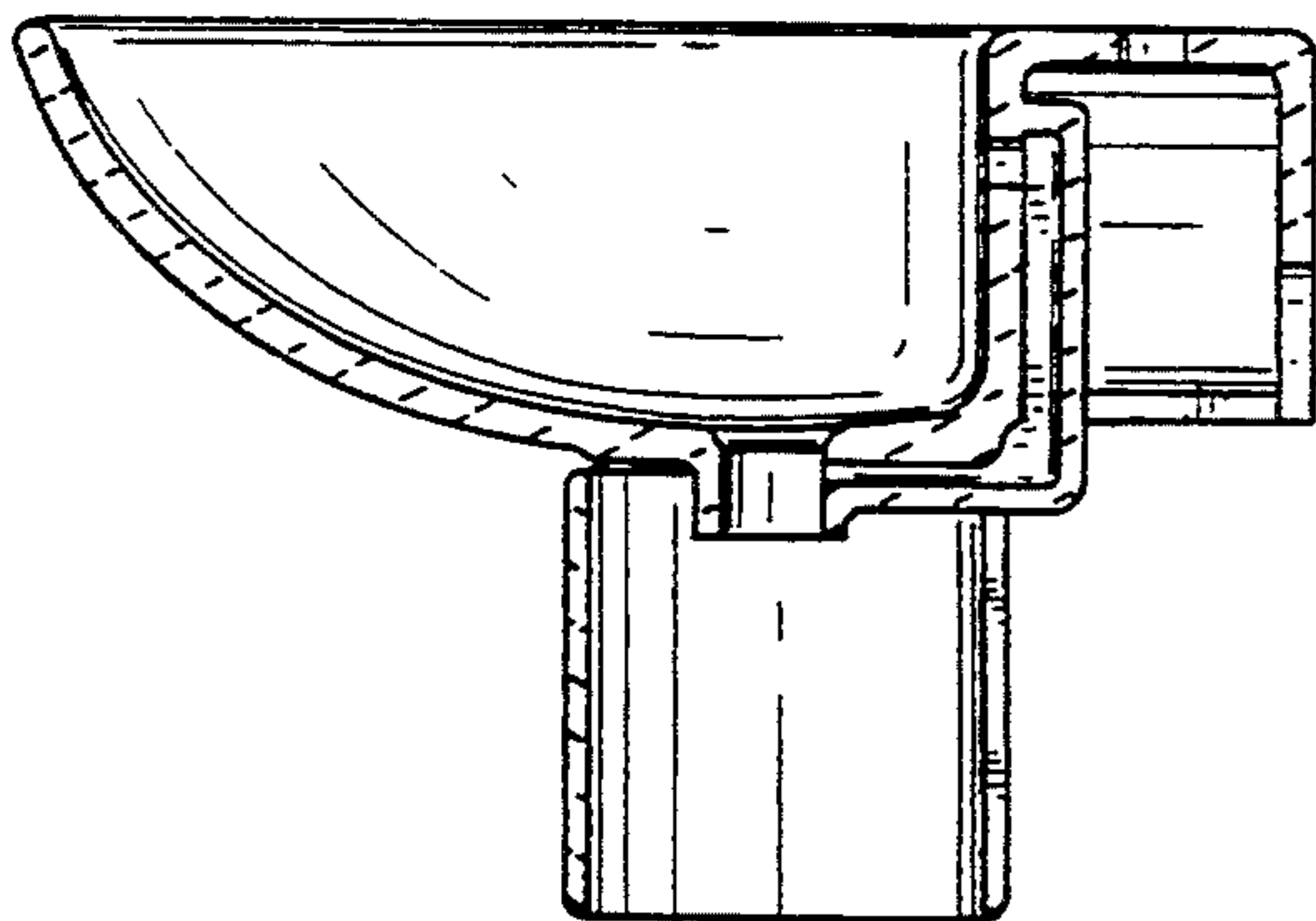


FIG. 16

