



US00D360932S

United States Patent [19]

[11] Patent Number: **Des. 360,932**

Walter et al.

[45] Date of Patent: **** Aug. 1, 1995**

[54] **TOILET VALVE EARLY CLOSURE CONTROLLER**

[56] **References Cited**

U.S. PATENT DOCUMENTS

[76] Inventors: **Brian A. Walter**, 728 Kinau St., Apt. 9, Honolulu, Hi. 96813; **Gene H. Walter**, 601 Rhododendron Dr., Vancouver, Wash. 98661

D. 211,727	7/1968	Cheslock	D23/236 X
D. 255,827	7/1980	Makhobey	D23/236
D. 314,610	2/1991	Chen	D23/236
2,729,827	1/1956	Morita	4/324
2,825,908	3/1958	Tucker	4/325
4,275,471	6/1987	Becker	4/324 X

[**] Term: **14 Years**

Primary Examiner—A. Hugo Word
Assistant Examiner—Eric Watterson
Attorney, Agent, or Firm—Martin E. Hsia

[21] Appl. No.: 7,120

[57] **CLAIM**

The ornamental design for a toilet valve early closure controller, as shown and described.

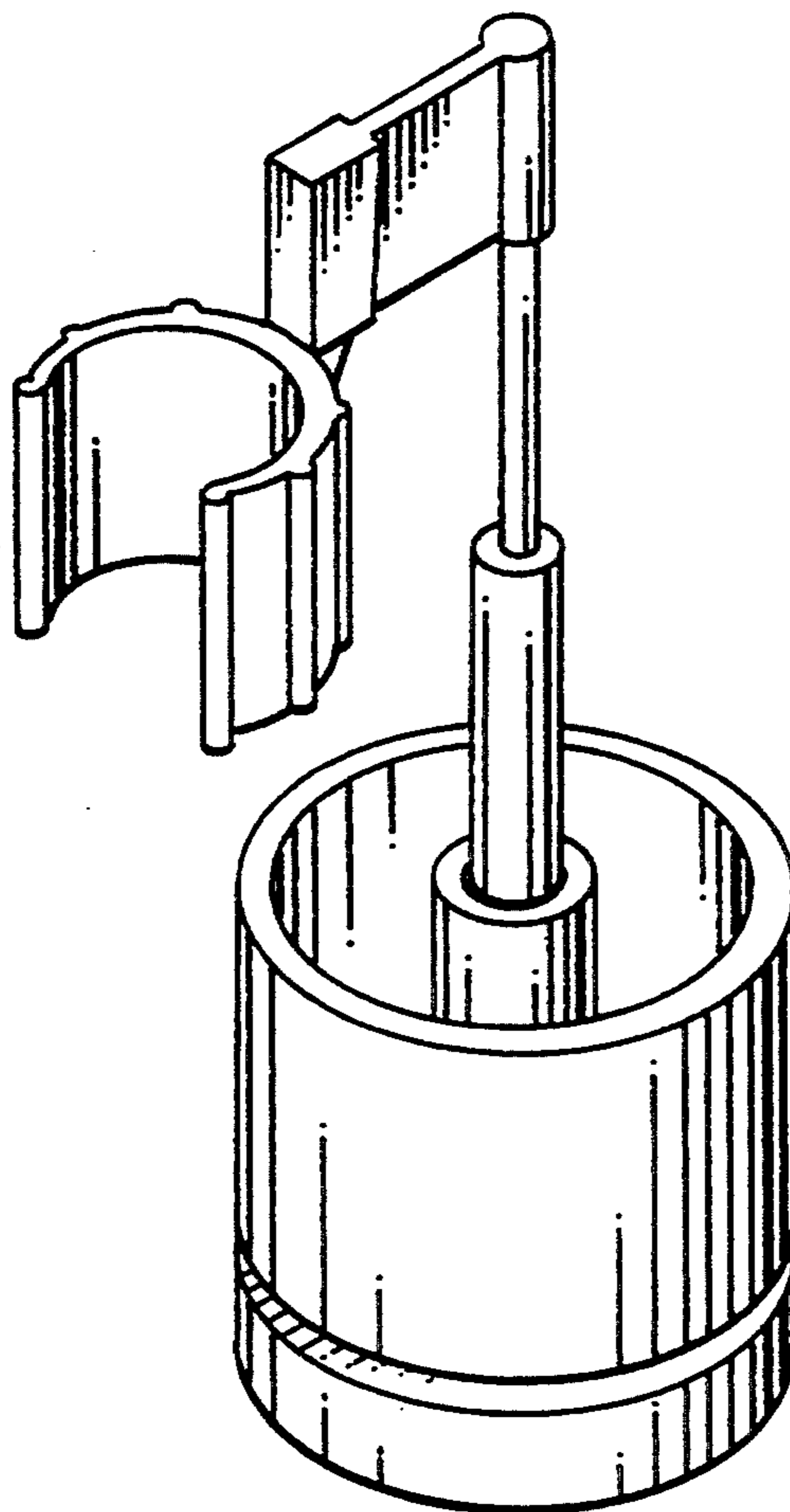
[22] Filed: **Apr. 14, 1993**

DESCRIPTION

[52] U.S. Cl. **D23/258**

FIG. 1 is a top front perspective view of a toilet valve early closure controller, showing my new design; and, FIG. 2 is a bottom perspective view thereof.

[58] Field of Search D23/236; 4/324, 325, 4/381, 384, 412, 413, 415



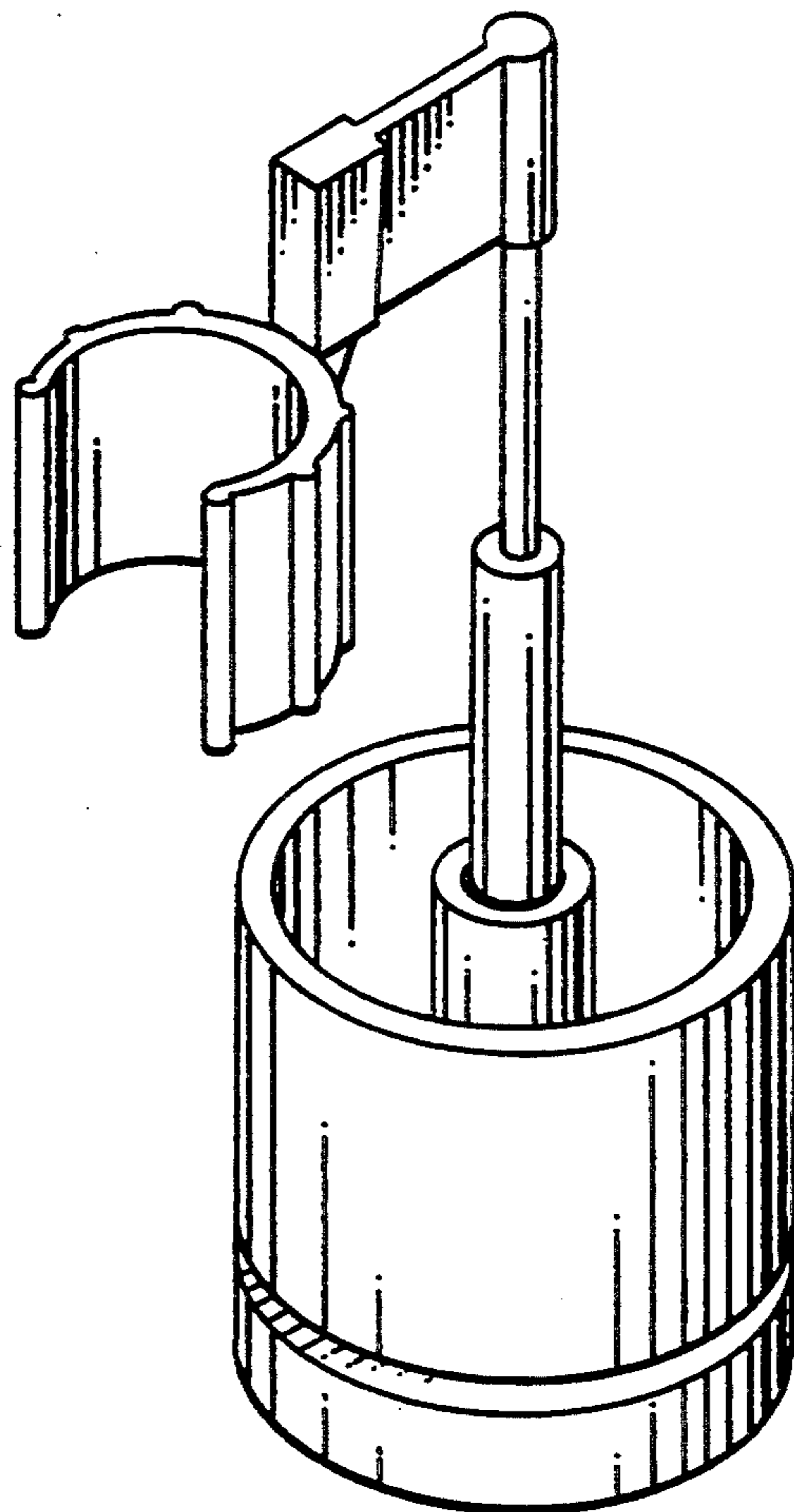


FIG. 1

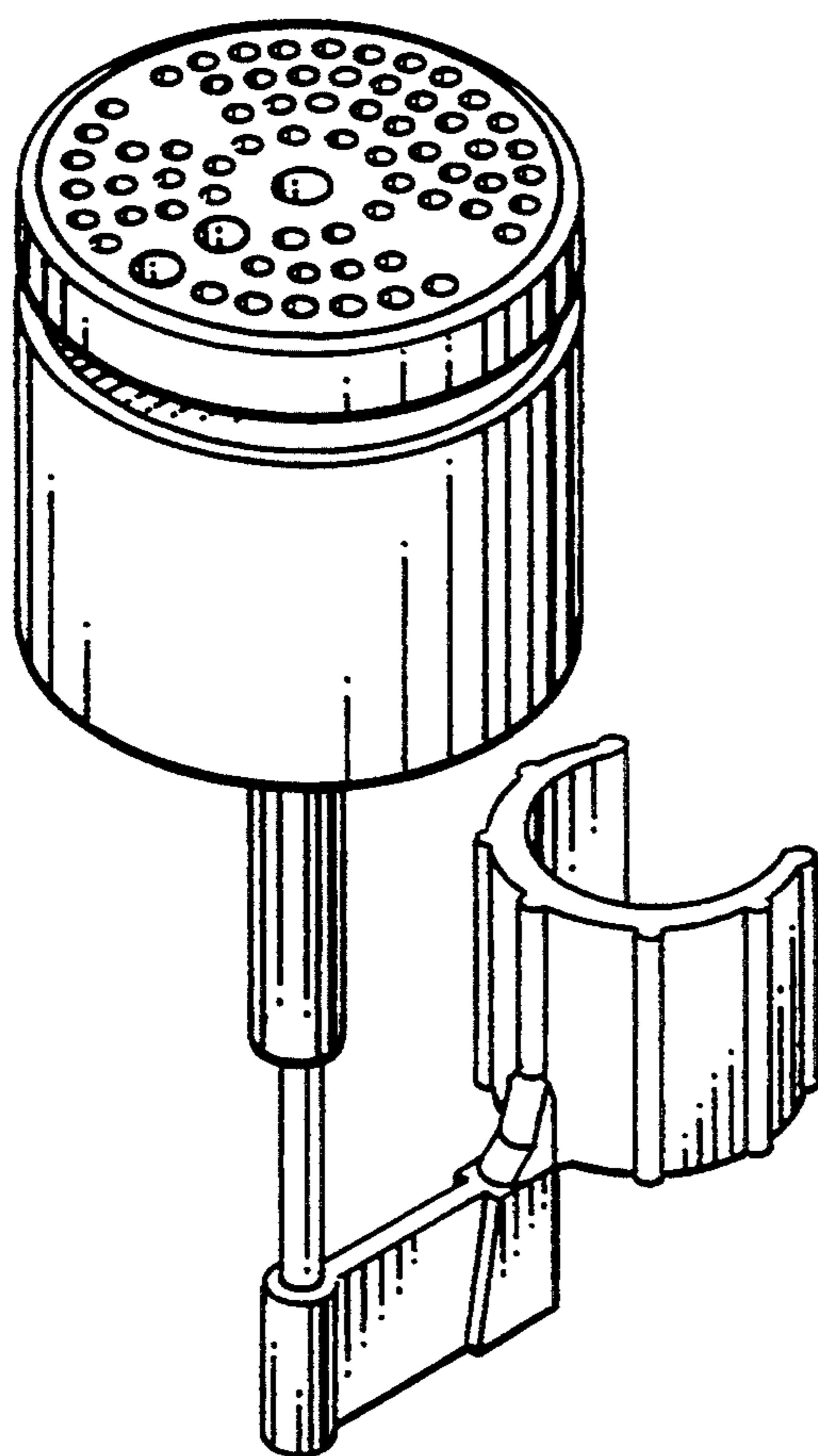


FIG. 2