



US00D360930S

United States Patent [19]

[11] Patent Number: **Des. 360,930**

Vestergaard

[45] Date of Patent: **** Aug. 1, 1995**

[54] **THERMOSTATIC EXPANSION VALVE FOR REFRIGERATING PLANTS**

[56] **References Cited**

U.S. PATENT DOCUMENTS

[75] Inventor: **Anders Vestergaard, Sydals, Denmark**

2,231,163	2/1941	Johnson	D23/233 X
3,279,778	10/1966	Jespersen	62/225 X
5,026,022	6/1991	Bastle	62/225 X
5,269,459	12/1993	Thompson et al.	236/92 B

[73] Assignee: **Danfoss A/S, Nordborg, Denmark**

Primary Examiner—A. Hugo Word
Assistant Examiner—Eric Watterson
Attorney, Agent, or Firm—Lee, Mann, Smith, McWilliams, Sweeney & Ohlson

[*] Notice: The portion of the term of this patent subsequent to Jun. 6, 2008 has been disclaimed.

[57] CLAIM

[**] Term: **14 Years**

The ornamental design for a thermostatic expansion valve for refrigerating plants, as shown and described.

[21] Appl. No.: **19,105**

DESCRIPTION

[22] Filed: **Feb. 23, 1994**

FIG. 1 is a perspective view of a thermostatic expansion valve for refrigerating plants according to my invention;

[30] Foreign Application Priority Data

Aug. 23, 1993 [DE] Germany M 93 06 710.0

[52] U.S. Cl. **D23/233**

[58] Field of Search D23/233-237; 62/225; 236/92 B; 251/285, 61.4, 84

FIG. 2 is a perspective view opposite to that of FIG. 1;

FIG. 3 is a top plan view thereof;

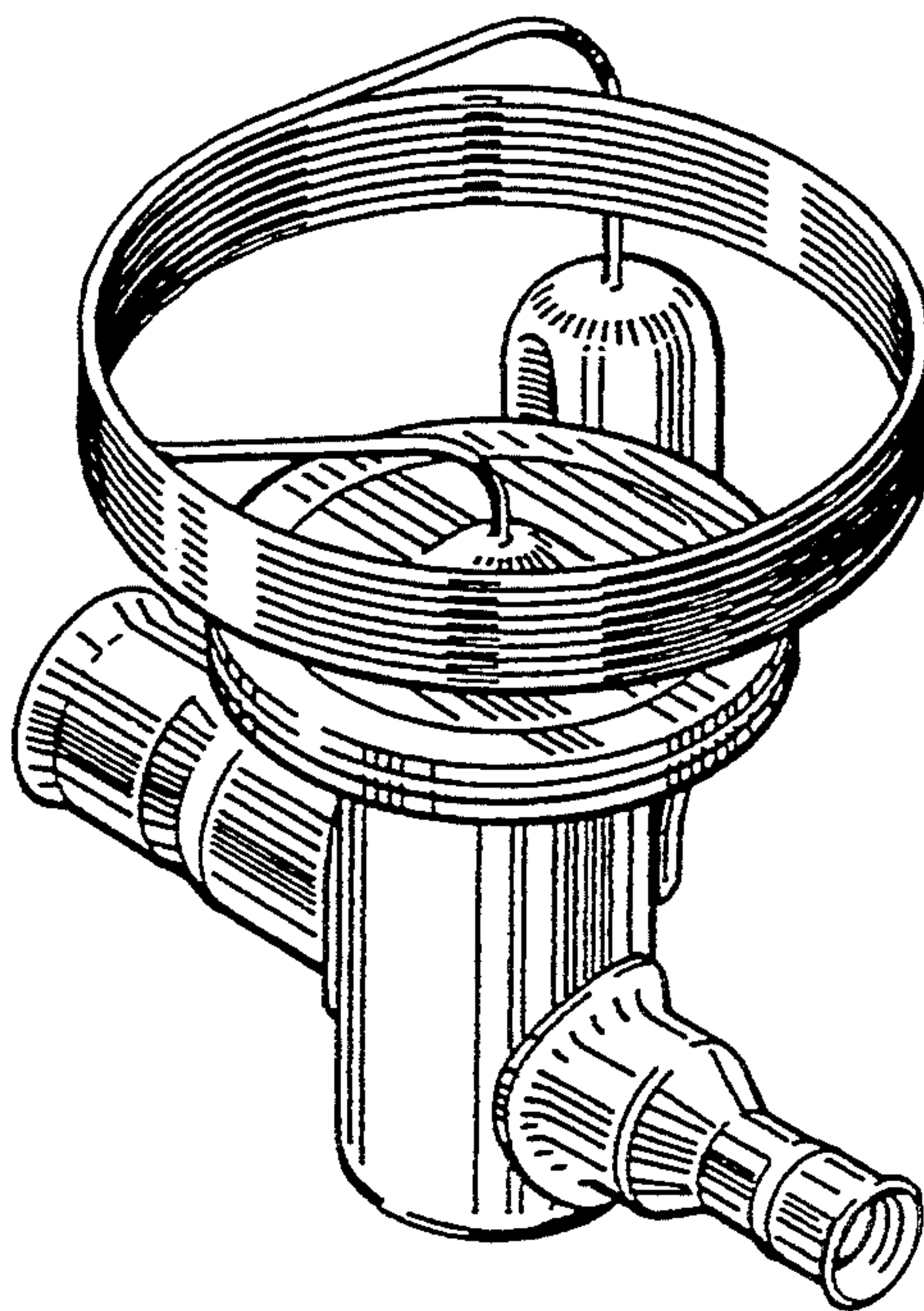
FIG. 4 is a bottom plan view thereof;

FIG. 5 is a front elevational view thereof;

FIG. 6 is a rear elevational view thereof;

FIG. 7 is a side elevational view thereof; and,

FIG. 8 is a side elevational view thereof opposite to FIG. 7.



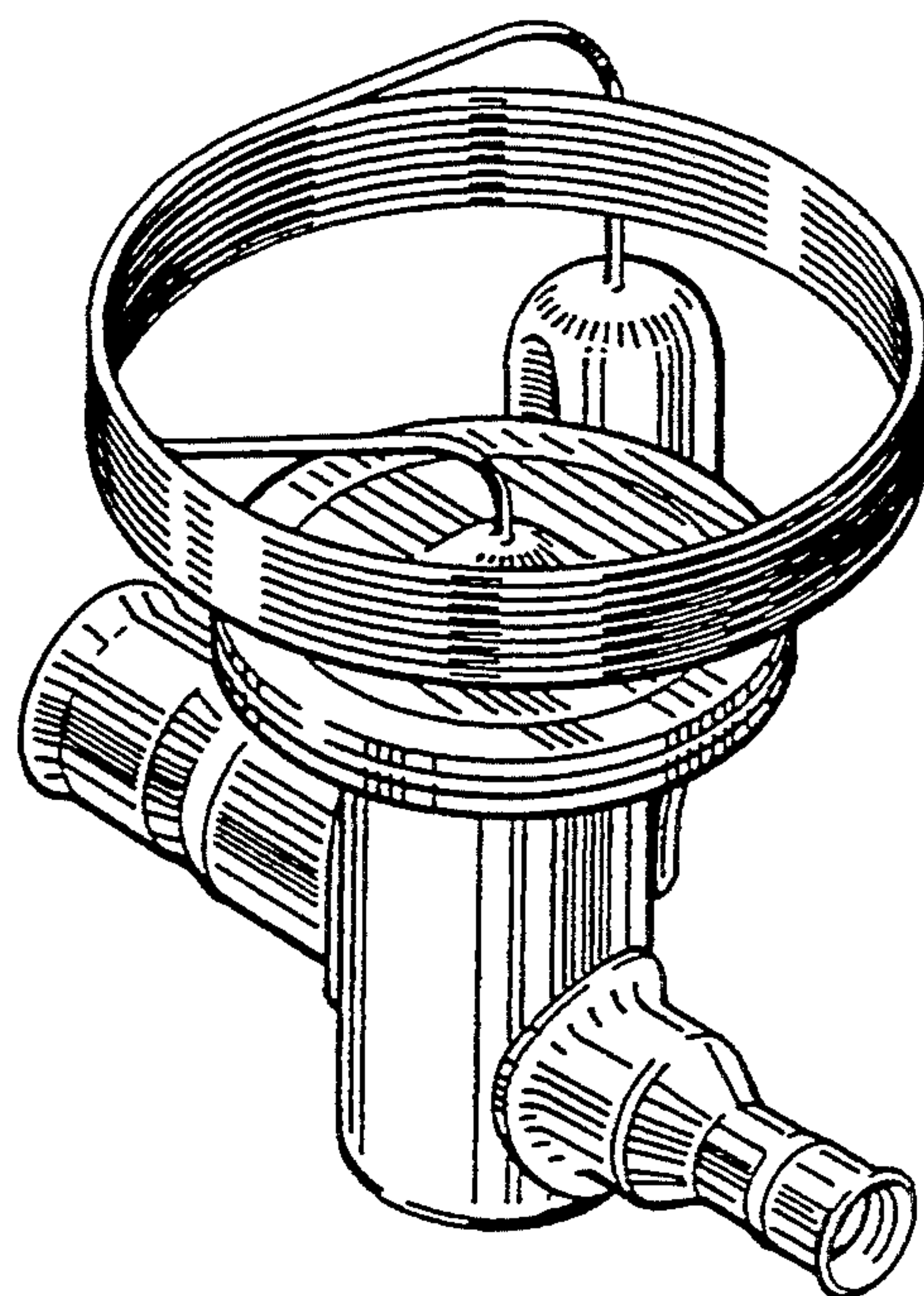


FIGURE 1

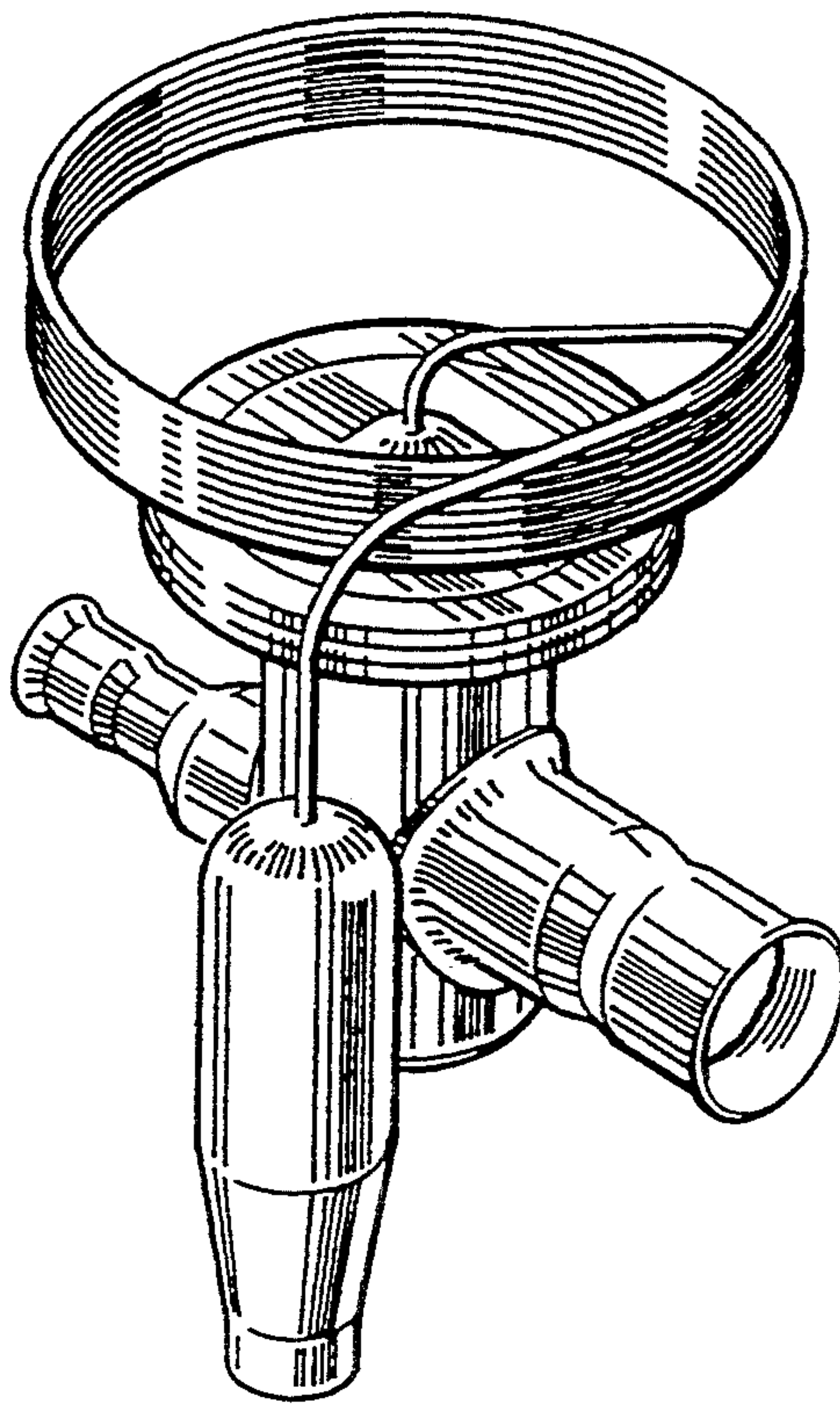


FIGURE 2

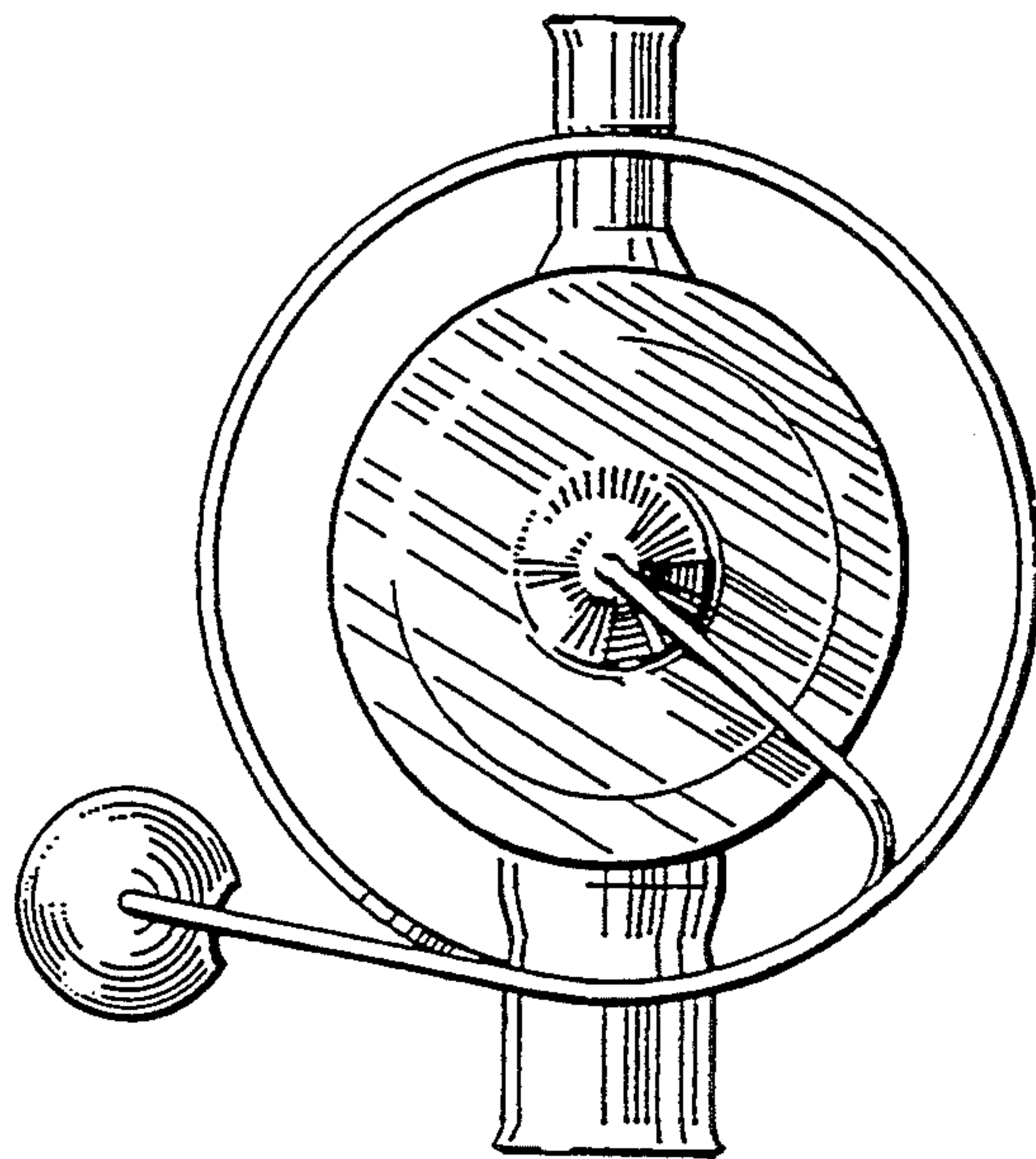


FIGURE 3

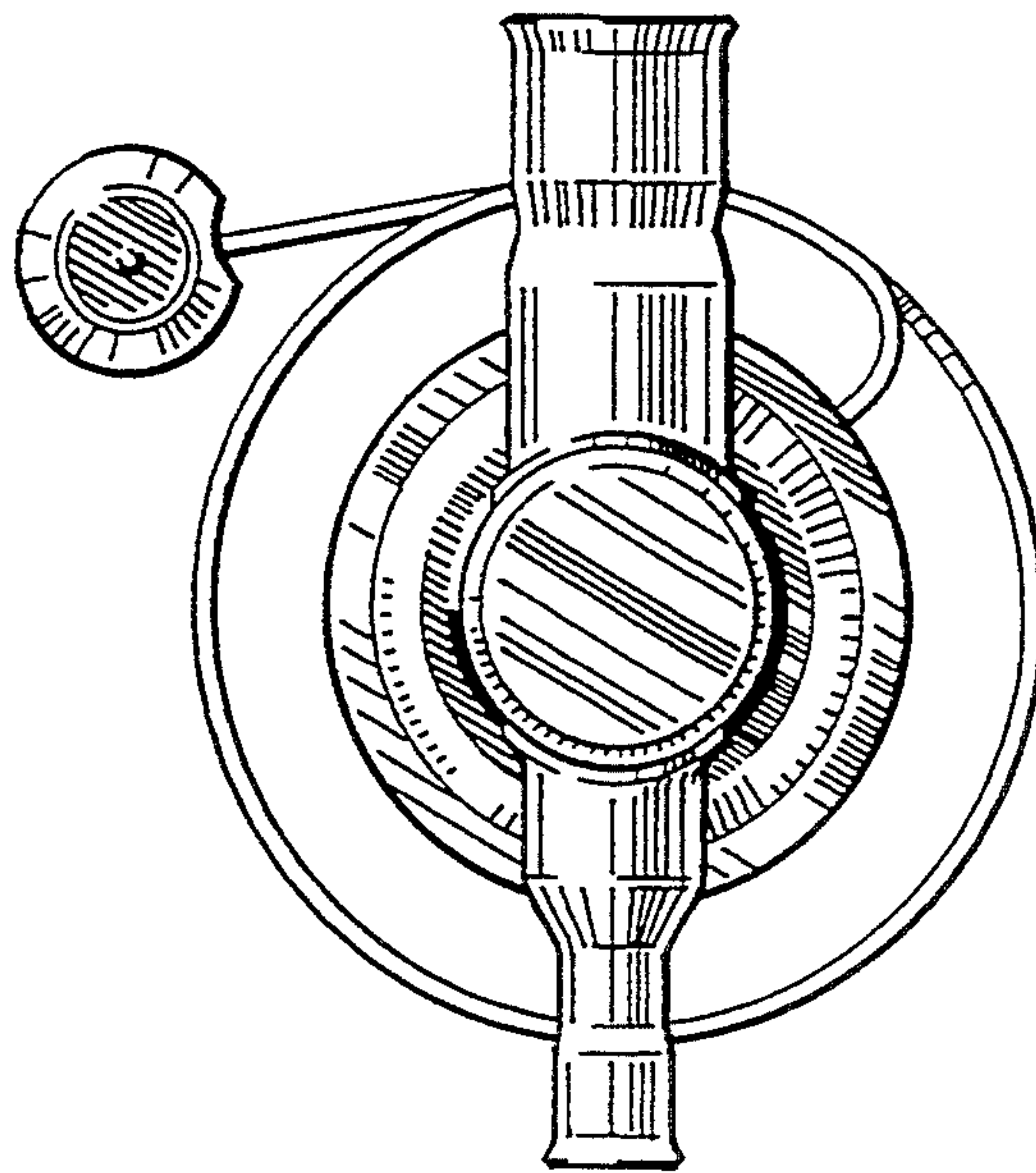


FIGURE 4

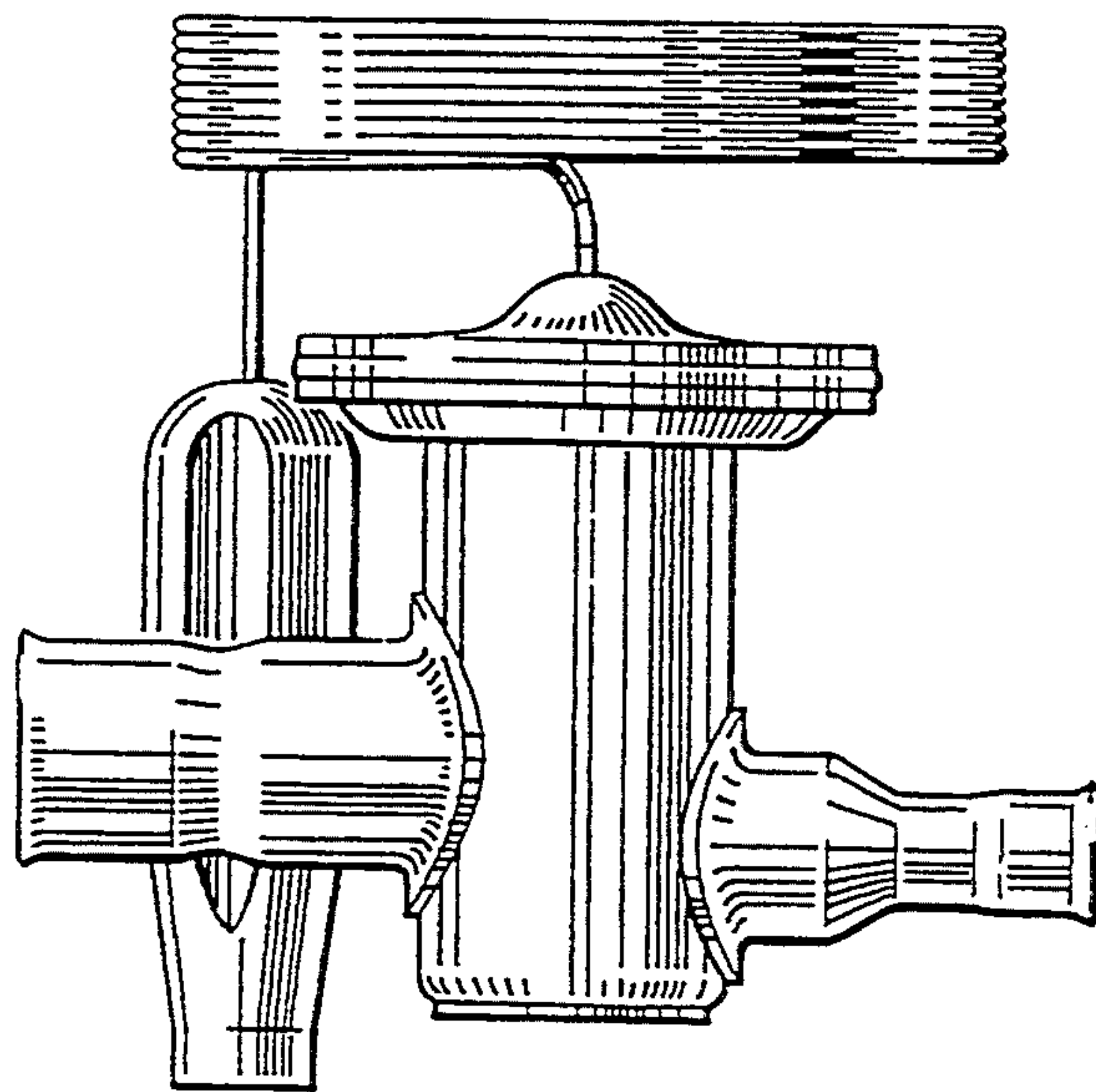


FIGURE 5

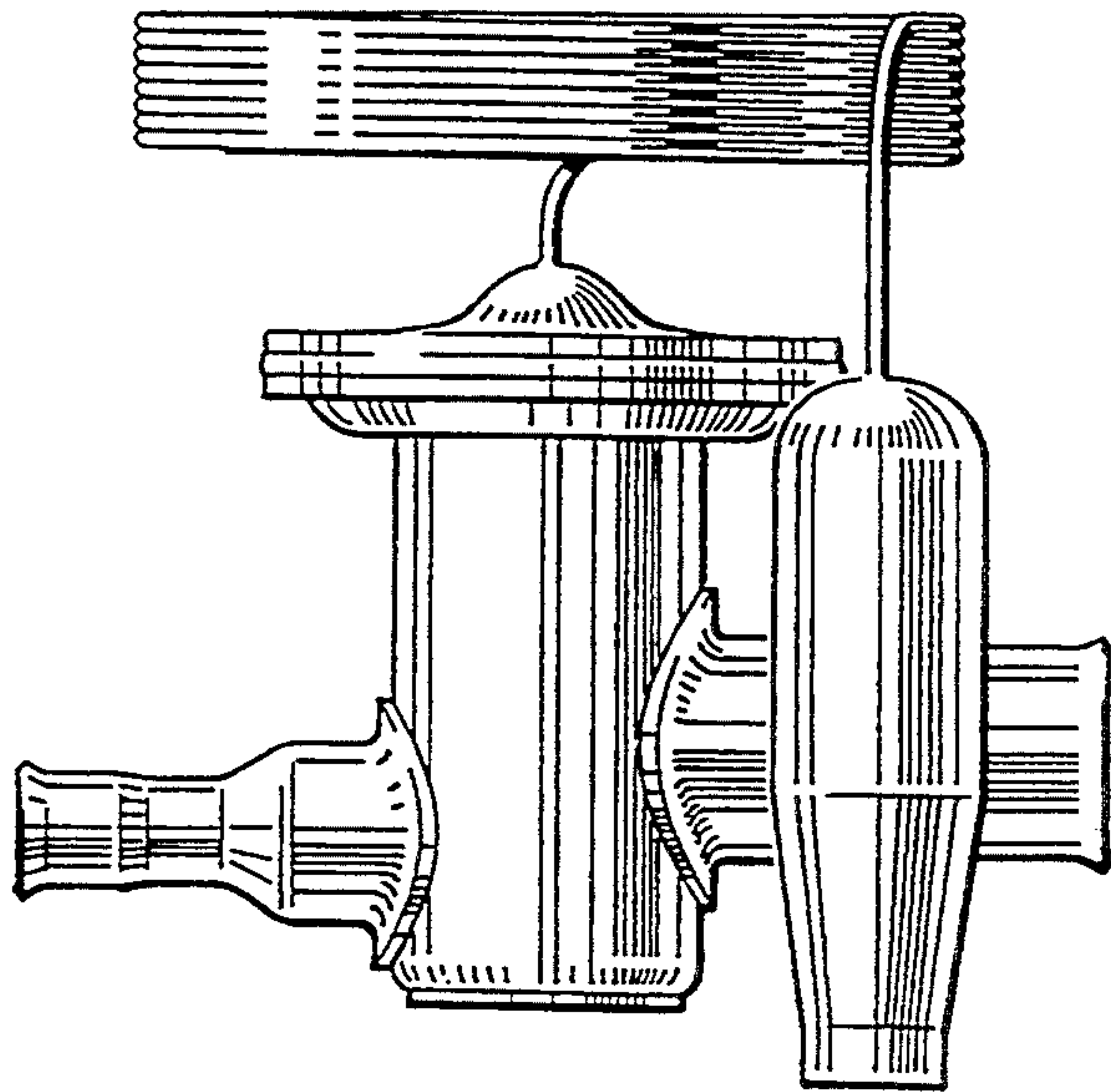


FIGURE 6

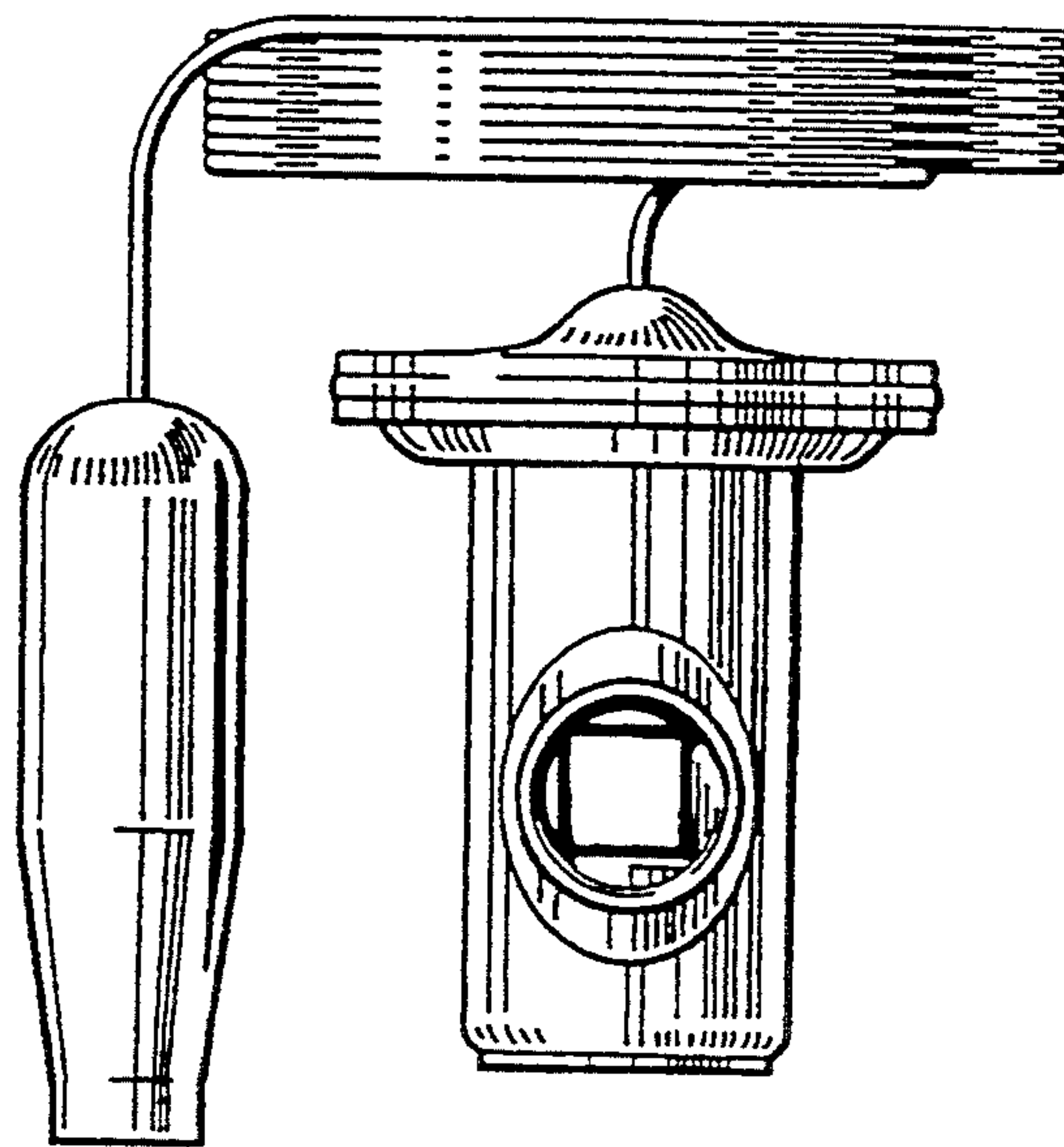


FIGURE 7

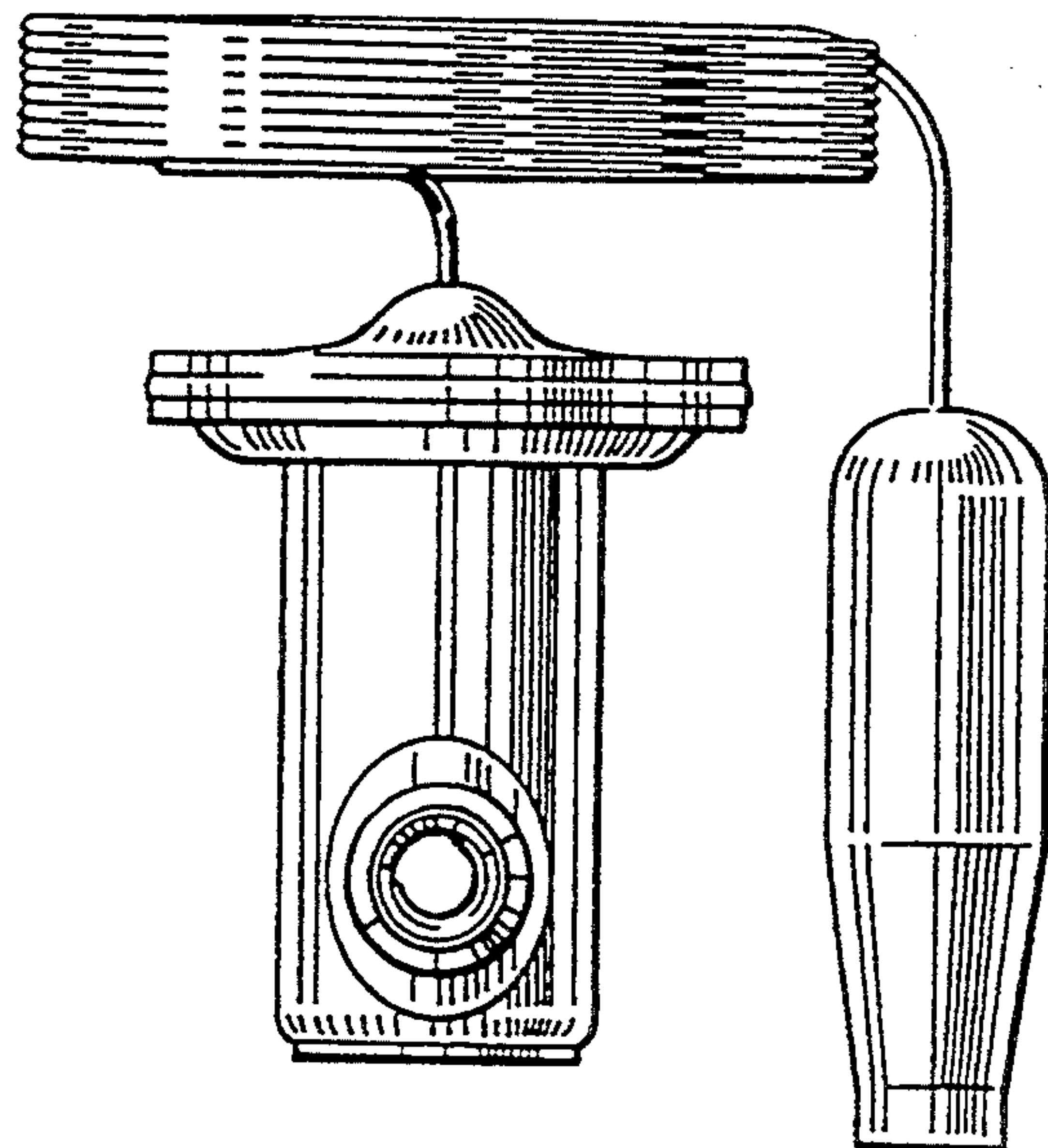


FIGURE 8