



US00D360928S

United States Patent [19]

[11] Patent Number: **Des. 360,928**

Bogner

[45] Date of Patent: **** Aug. 1, 1995**

[54] FISHING REEL

[75] Inventor: **Peter K. Bogner**, Eureka Springs, Ark.
[73] Assignee: **P/S Engineering and Manufacturing Co.**, Eureka Springs, Ark.

[**] Term: **14 Years**

[21] Appl. No.: **11,243**

[22] Filed: **Jul. 30, 1993**

[52] U.S. Cl. **D22/140**

[58] Field of Search **D22/140, 137; 242/322, 242/611.2, 613.4, 295, 317**

[56] References Cited

U.S. PATENT DOCUMENTS

D. 240,423	7/1976	Oberg	D22/140
D. 247,442	3/1978	Hiraishi et al.	D22/140
D. 353,643	12/1994	Shiple	D22/137 X
2,059,763	11/1936	Wenzel	242/295
3,526,370	9/1970	Arsenault	242/295 X
4,720,056	1/1988	Danielson	242/317 X
4,883,238	11/1989	Harder	242/317

OTHER PUBLICATIONS

Cabela's 1992 Spring, p. 16, Hemingway Disc Drag Reel MDD 789.

Primary Examiner—Doris V. Coles
Attorney, Agent, or Firm—Boyd D. Cox

[57] CLAIM

The ornamental design of a fishing reel, as shown.

DESCRIPTION

FIG. 1 is a front prospective view of the fishing reel of the present invention;

FIG. 2 is a rear prospective view of the fishing reel of FIG. 1;

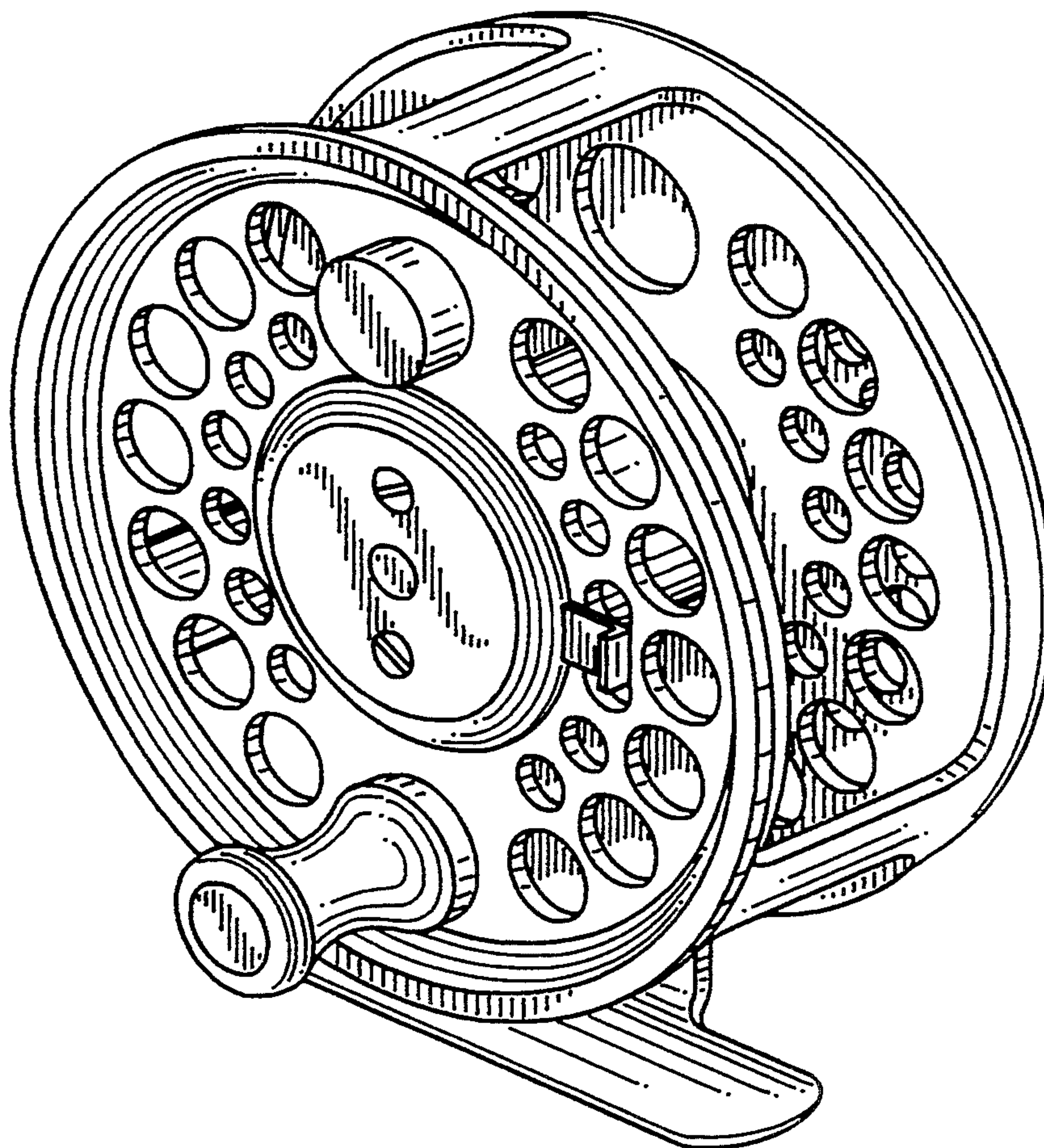
FIG. 3 is a front view in elevation of the fishing reel of FIG. 1;

FIG. 4 is a rear view in elevation of the fishing reel of FIG. 1;

FIG. 5 is a side view in elevation of the fishing reel of FIG. 1 as seen from the right-hand side of FIG. 1;

FIG. 6 is a top plan view of the fishing reel of FIG. 1; and,

FIG. 7 is a bottom plan view of the fishing reel of FIG. 1.



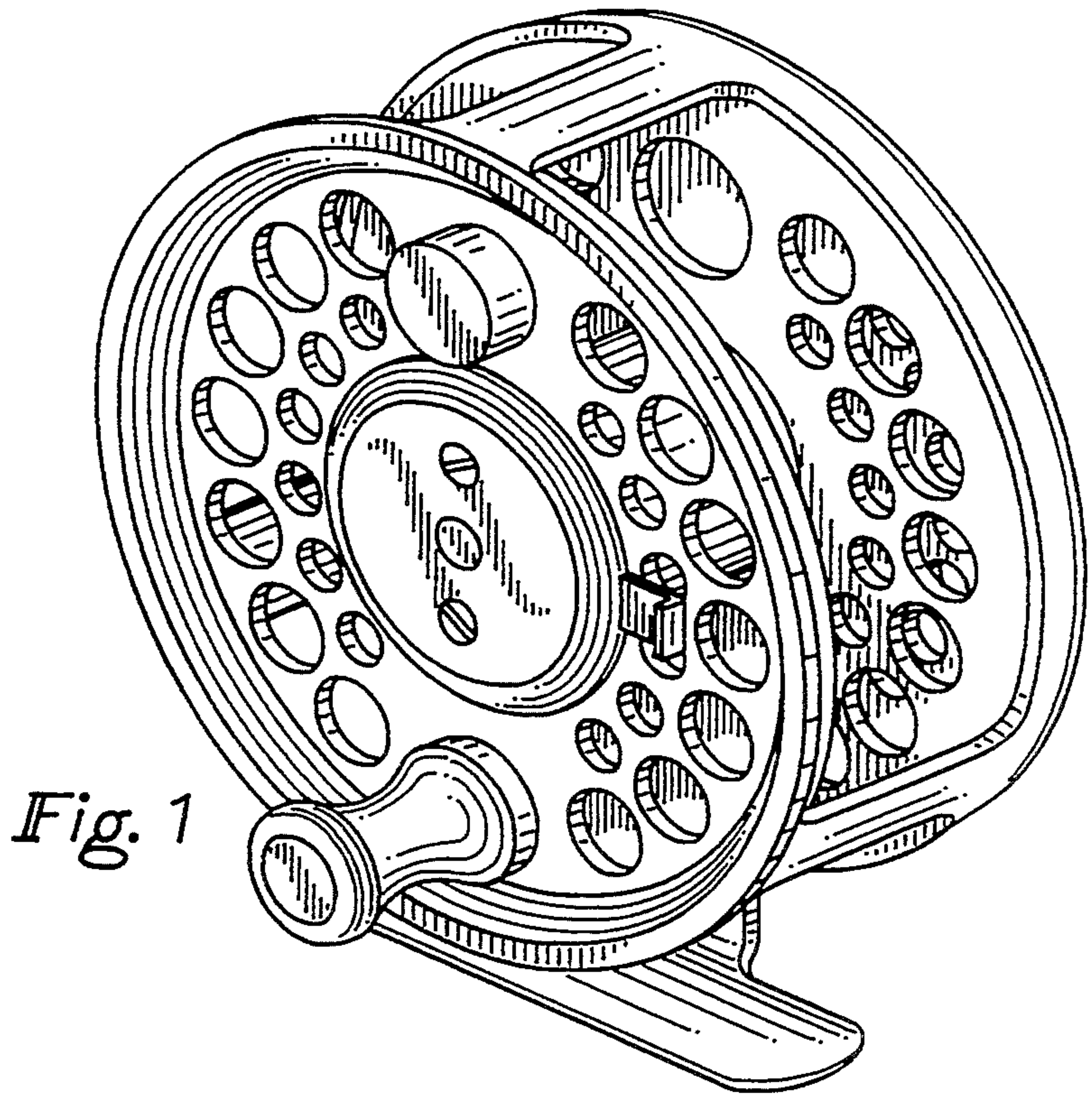


Fig. 1

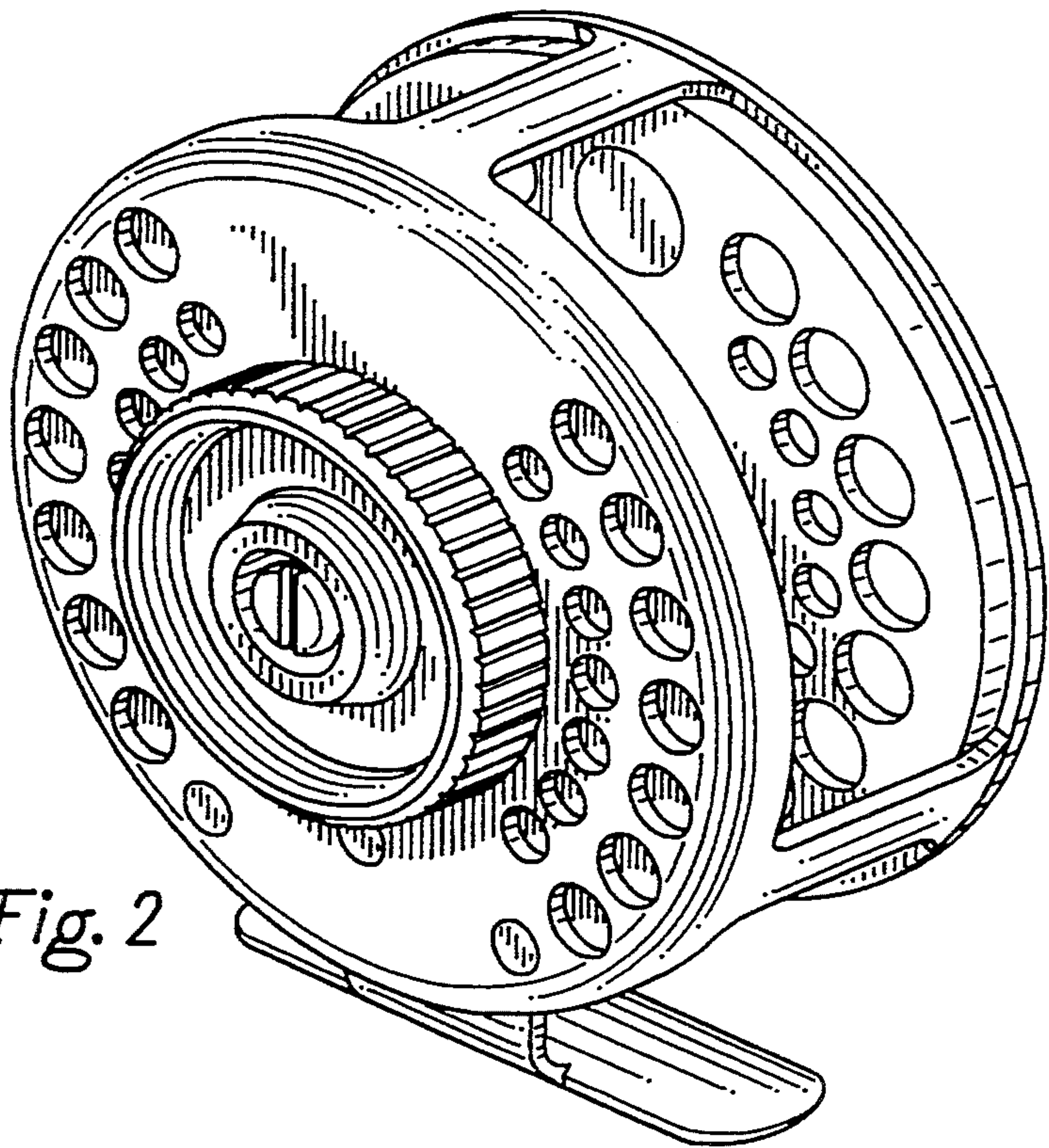


Fig. 2

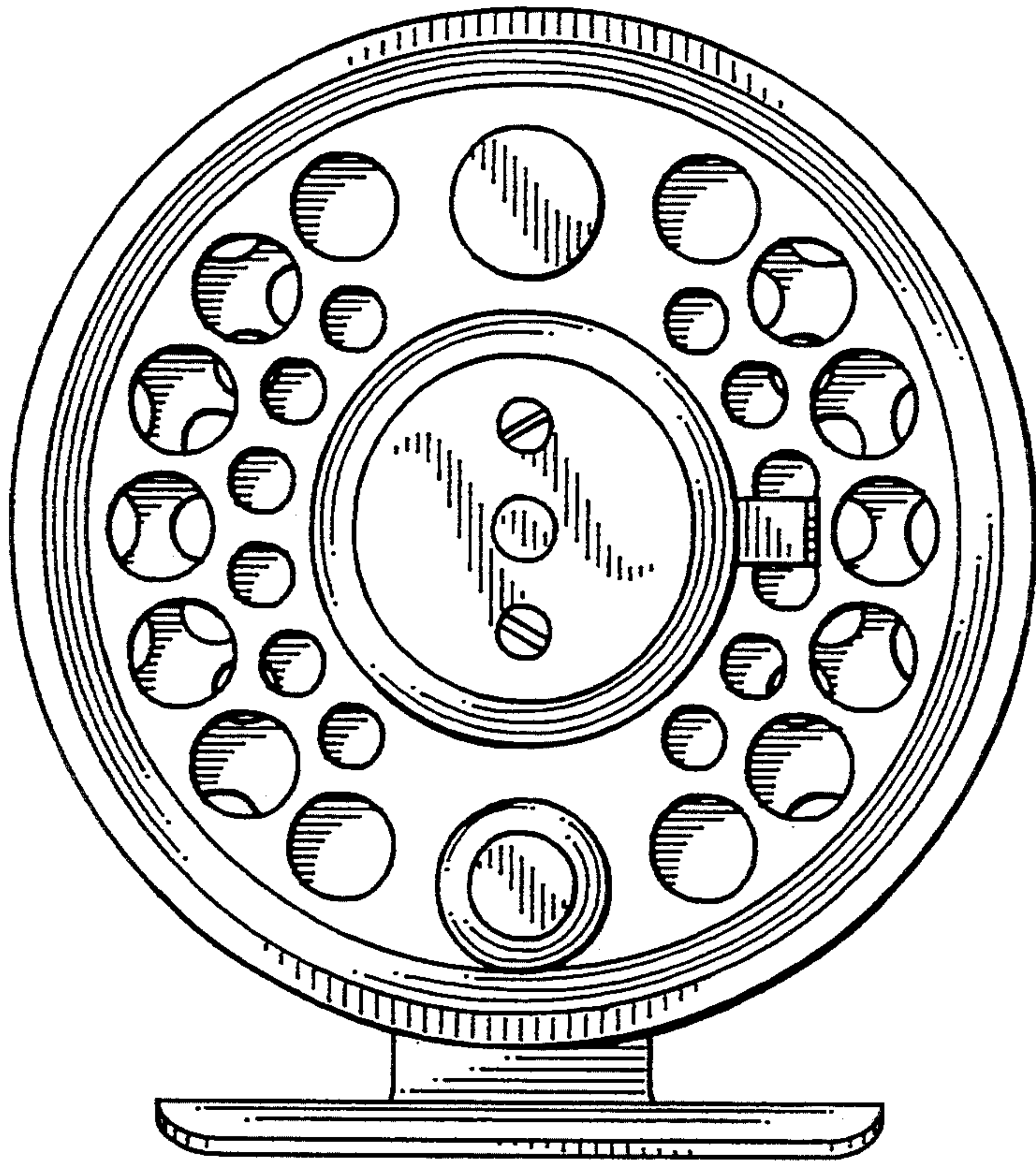


Fig. 3

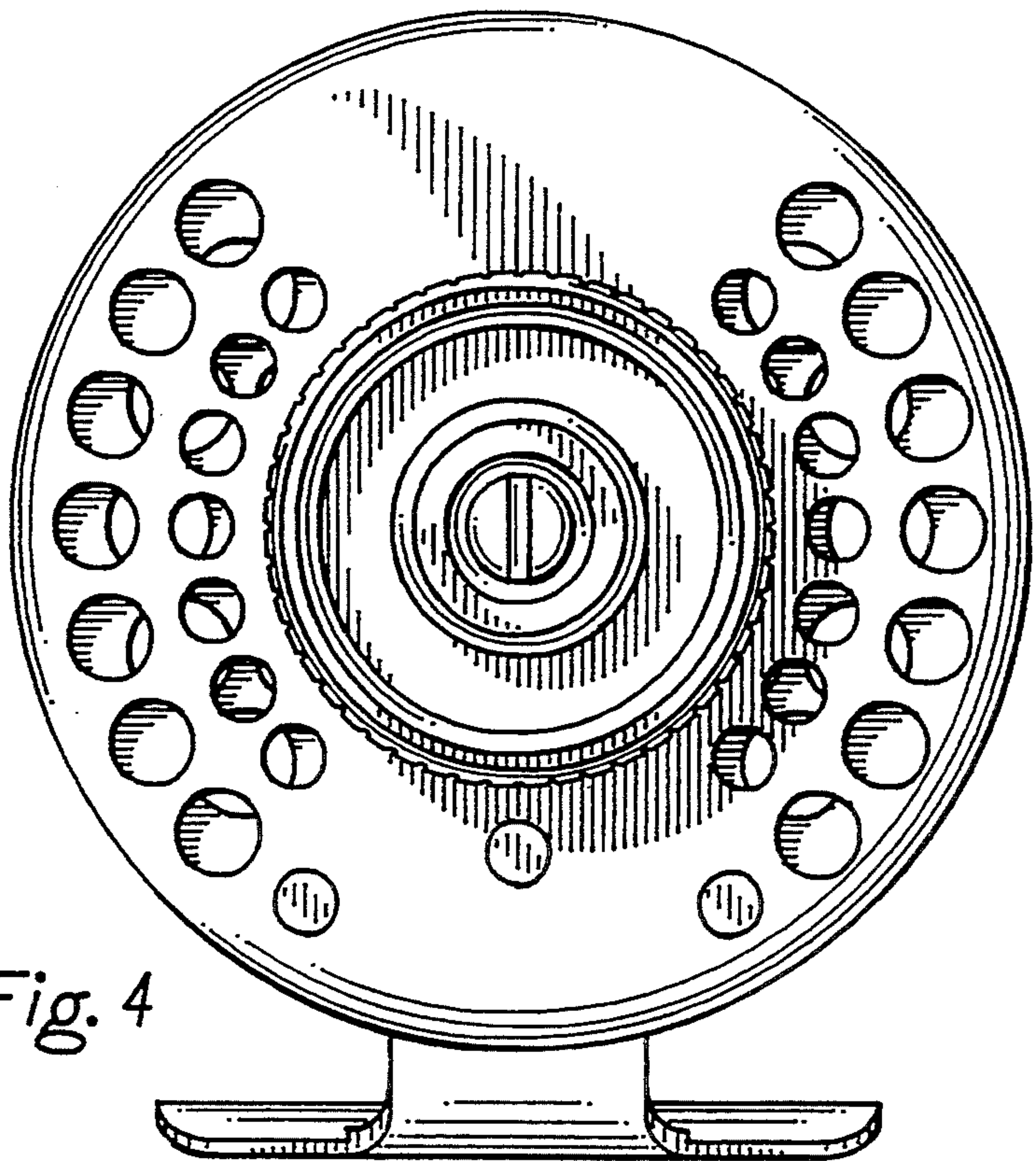


Fig. 4

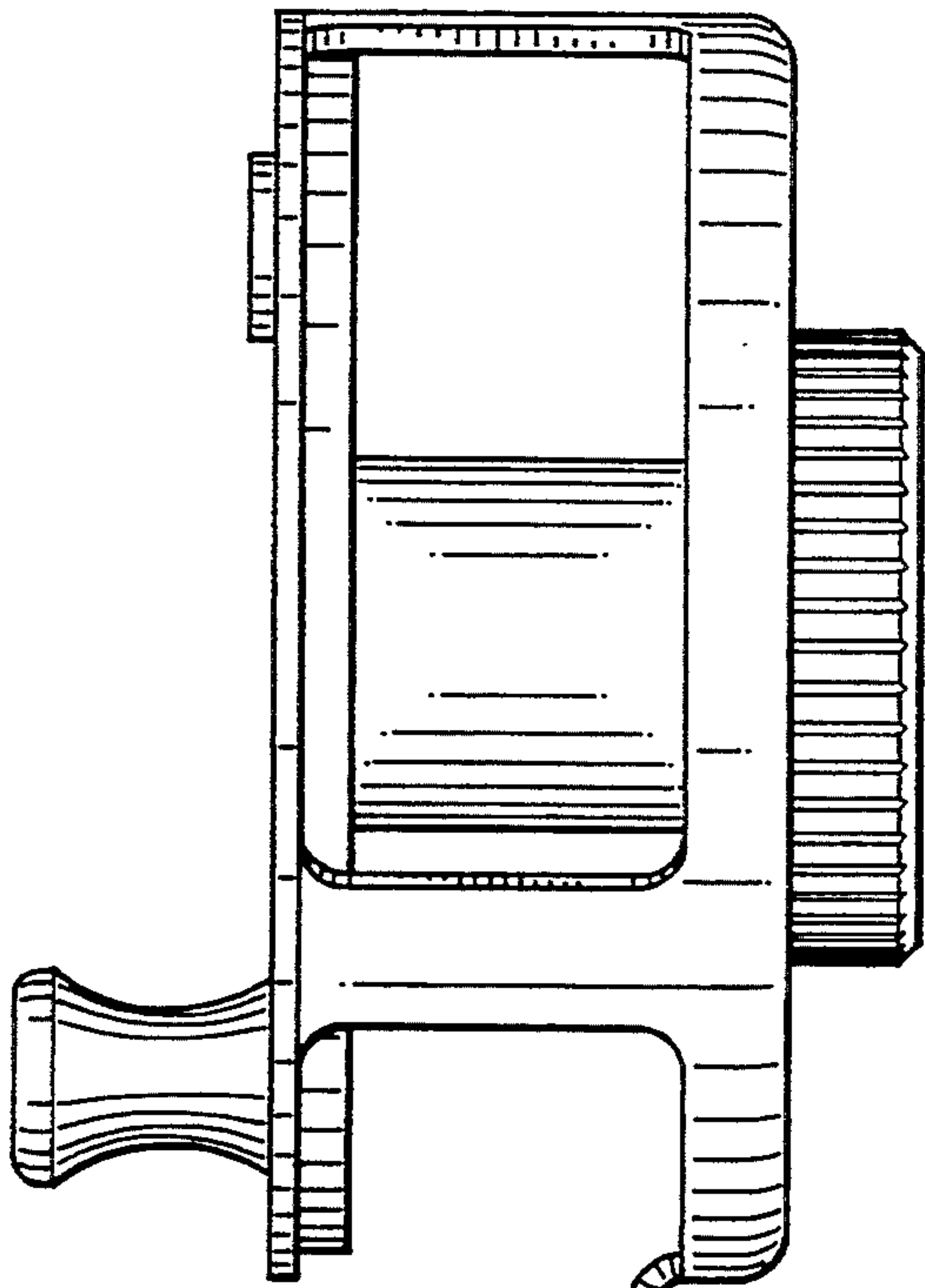


Fig. 5

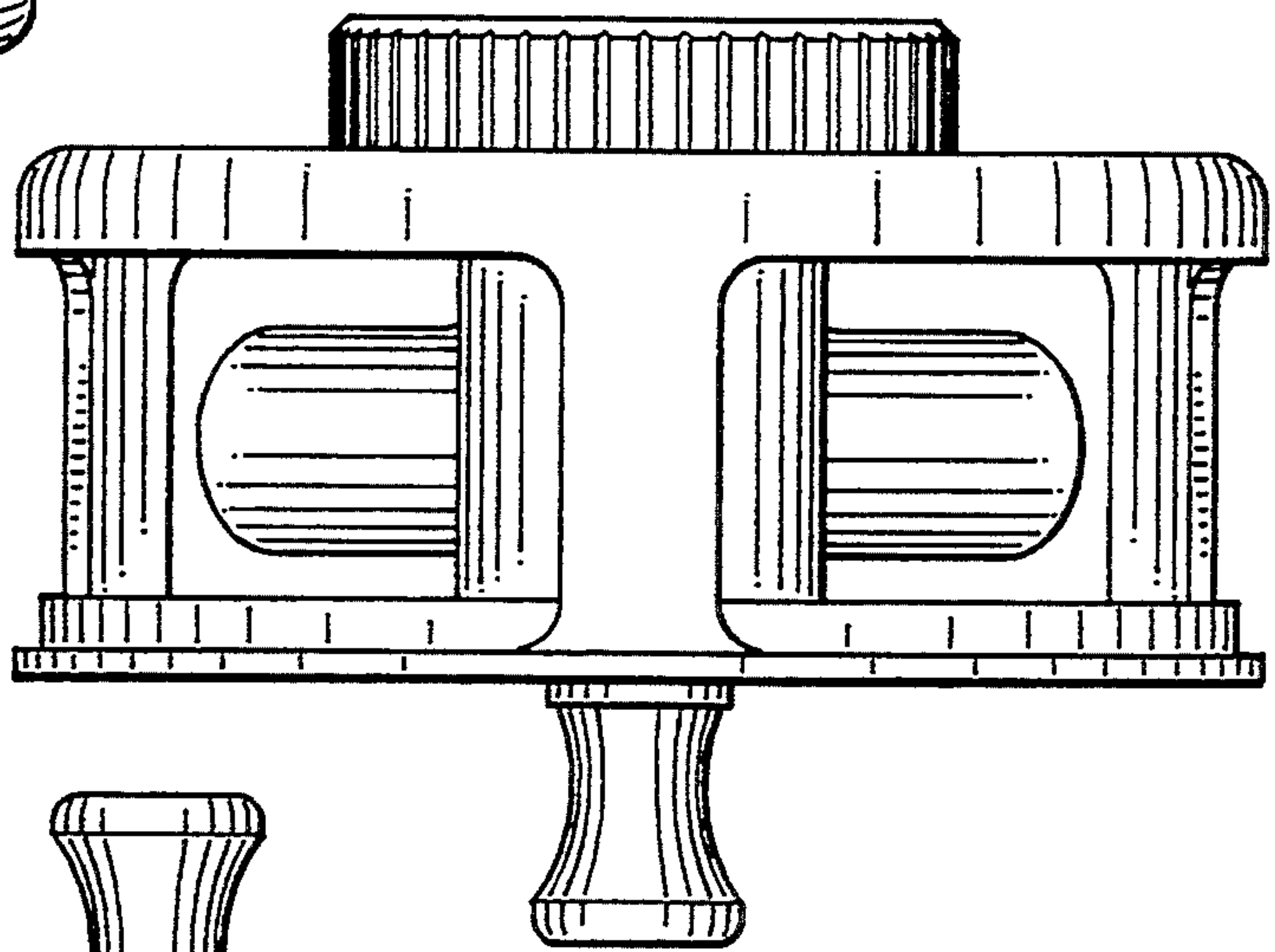


Fig. 6

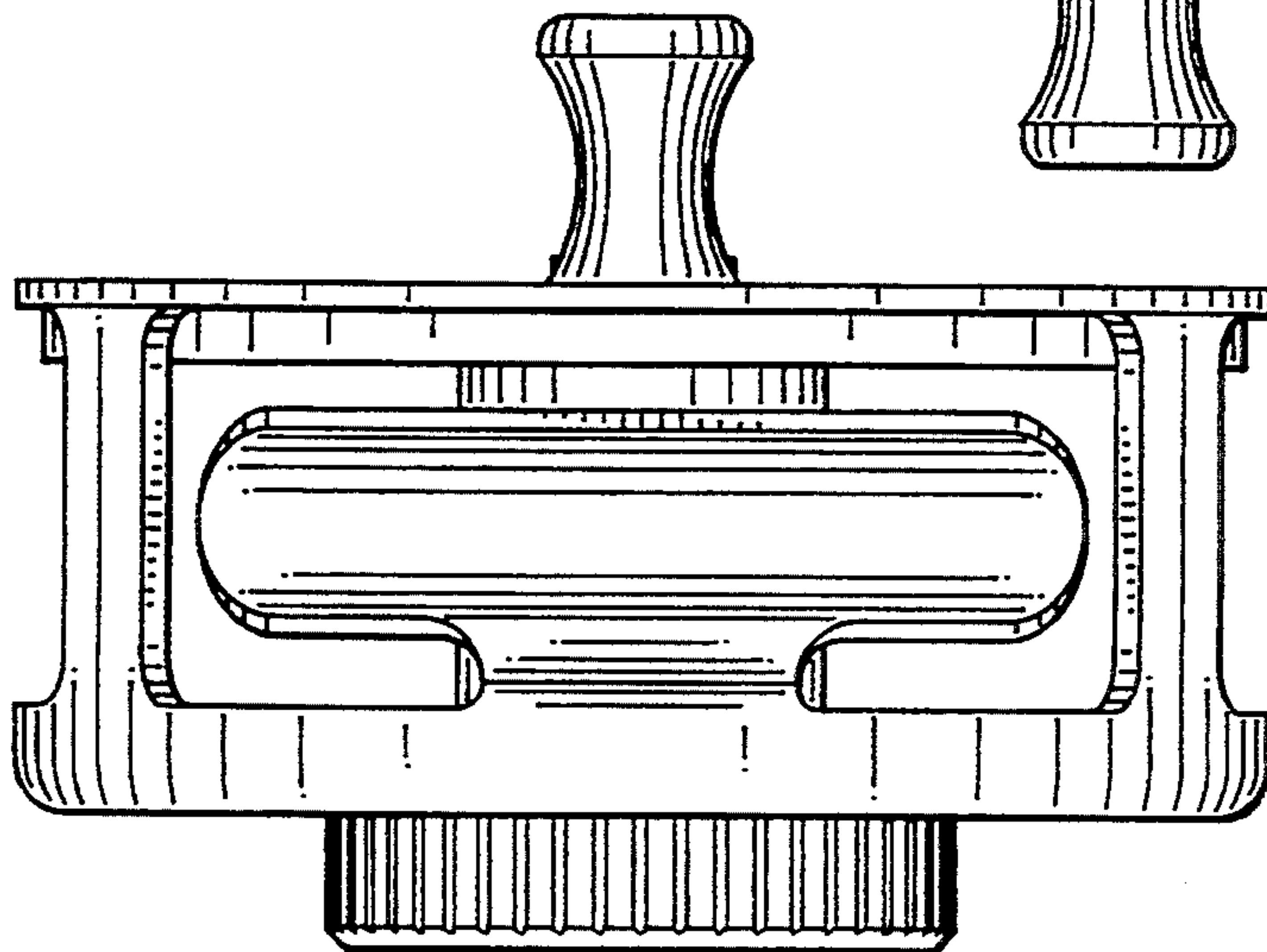


Fig. 7