



US00D360926S

# United States Patent [19]

[11] Patent Number: **Des. 360,926**

**Hildenbrand**

[45] Date of Patent: **\*\* Aug. 1, 1995**

[54] **GOLF CLUB IRON HEAD**

[76] Inventor: **Larry Hildenbrand**, 9462 Doug Fir Dr., Zeeland, Mich. 49464

[\*\*] Term: **14 Years**

[21] Appl. No.: **23,394**

[22] Filed: **May 24, 1994**

[52] U.S. Cl. .... **D21/220**

[58] Field of Search ..... **D21/220; 273/167-175**

[56] **References Cited**

**U.S. PATENT DOCUMENTS**

- 5,122,324 6/1992 Yong-Sup ..... 273/167 H X
- 5,125,662 6/1992 Antonious ..... 273/167 A
- 5,160,136 11/1992 Eger ..... D21/220 X

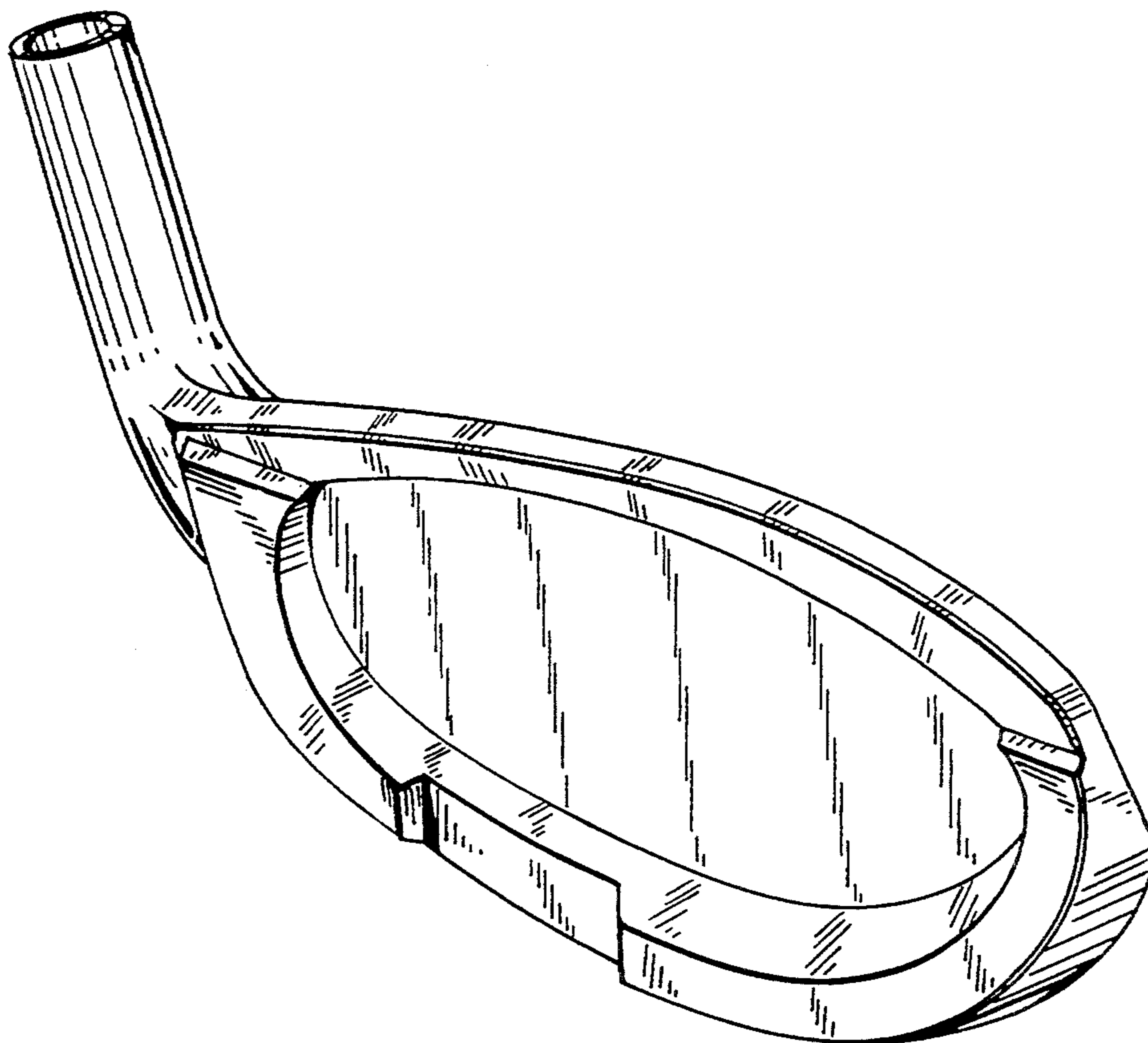
*Primary Examiner*—Theodore M. Shooman  
*Assistant Examiner*—Mitchell I. Siegel

[57] **CLAIM**

The ornamental design for a golf club iron head, as shown.

**DESCRIPTION**

FIG. 1 is a perspective view of a golf club iron head showing my new design;  
 FIG. 2 is a front view;  
 FIG. 3 is a back view;  
 FIG. 4 is a top view;  
 FIG. 5 is a bottom view;  
 FIG. 6 is a left side view;  
 FIG. 7 is a right side view; and,  
 FIG. 8 is a cross section taken on line 8—8 FIG. 6.



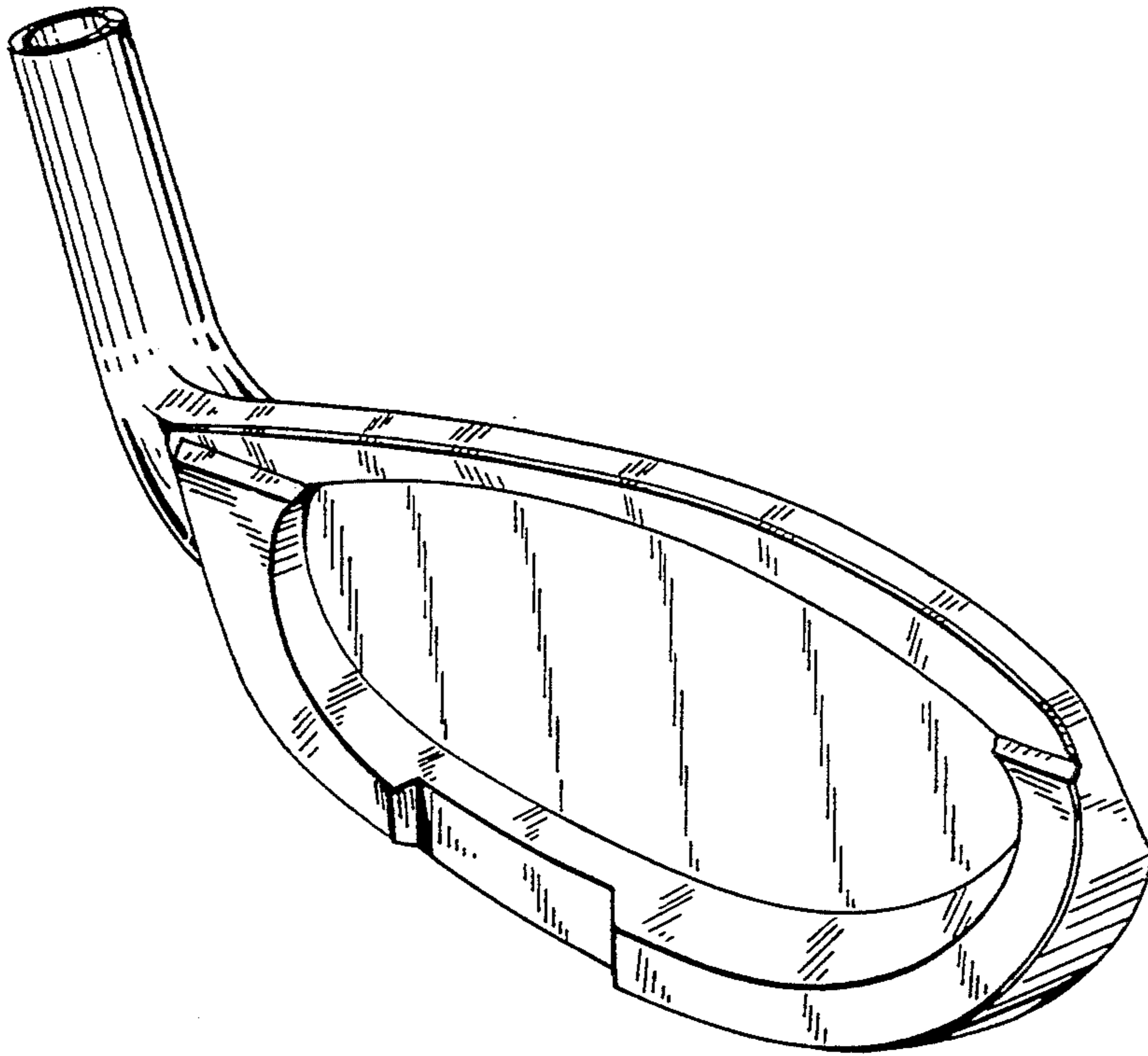


FIG. 1

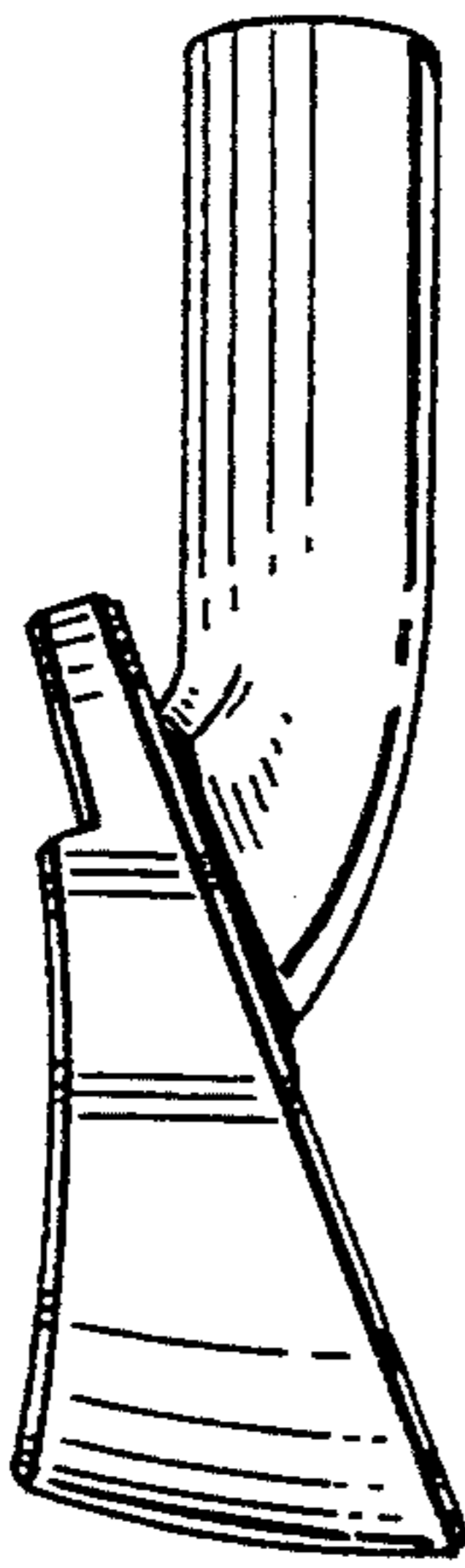


FIG. 2

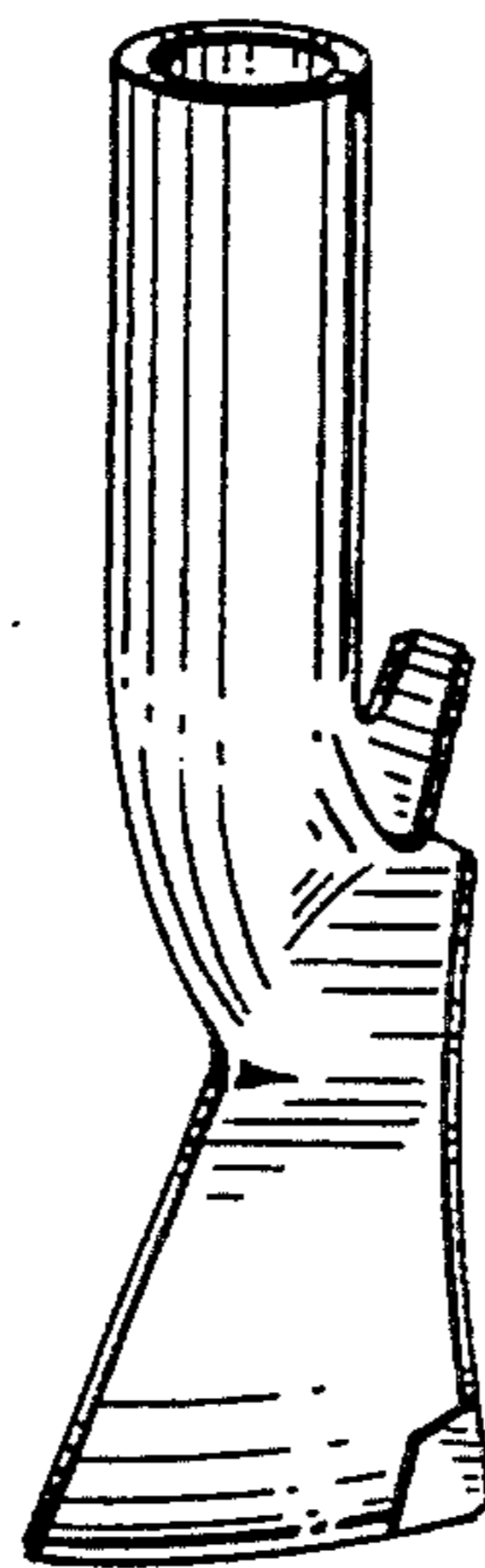


FIG. 3

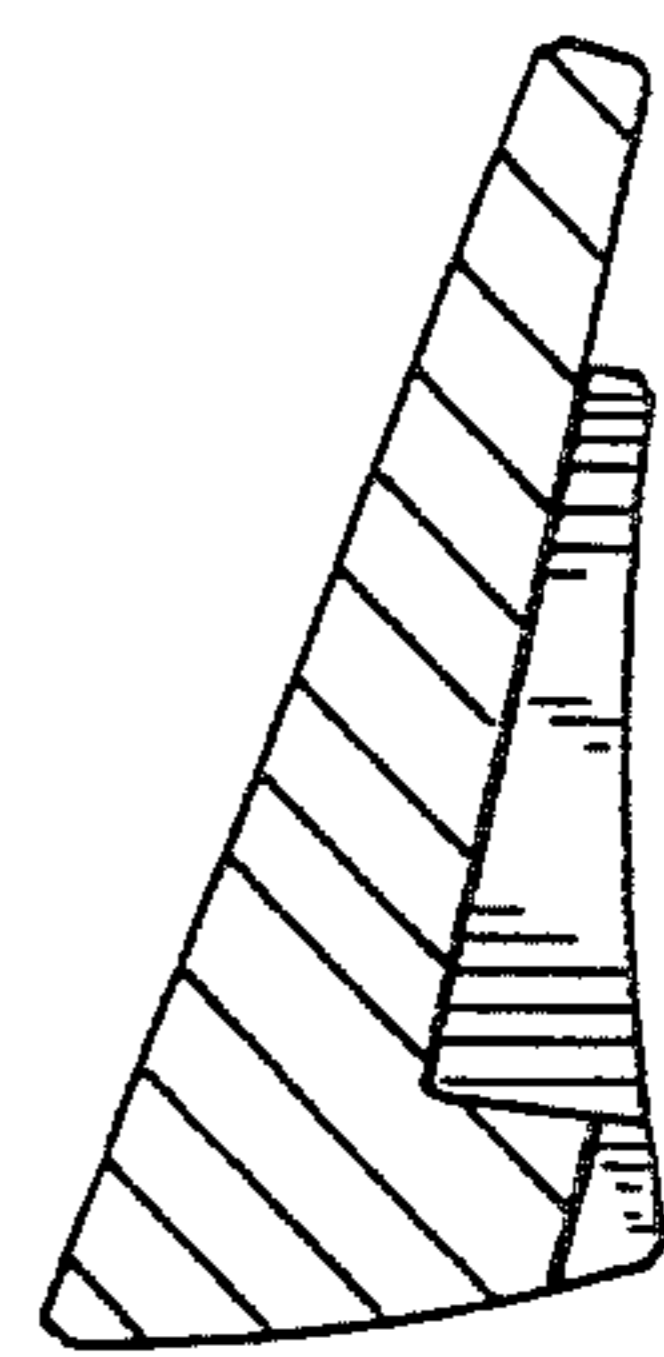


FIG. 8

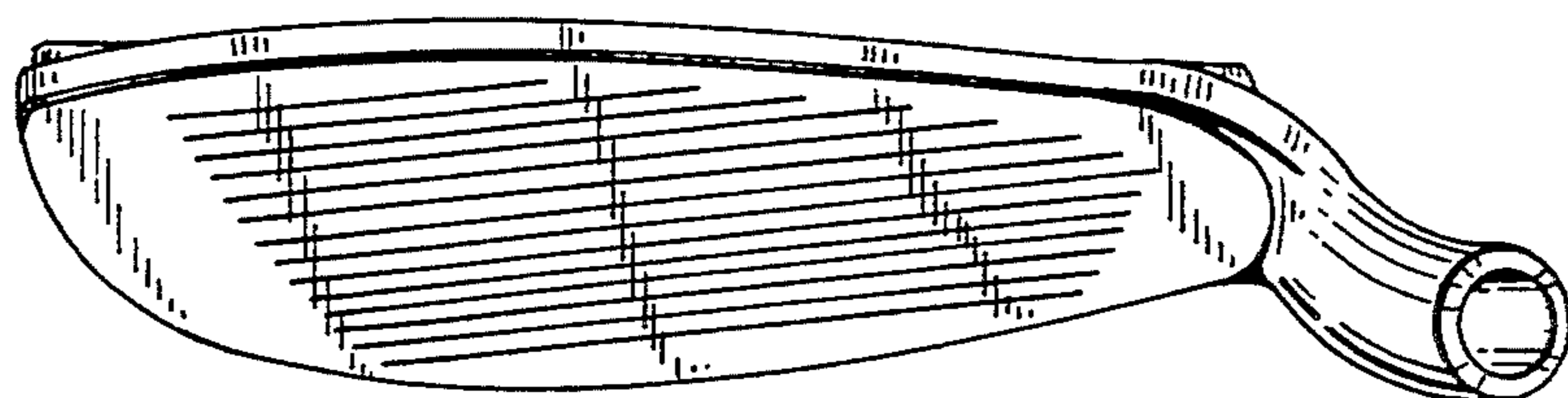


FIG. 4

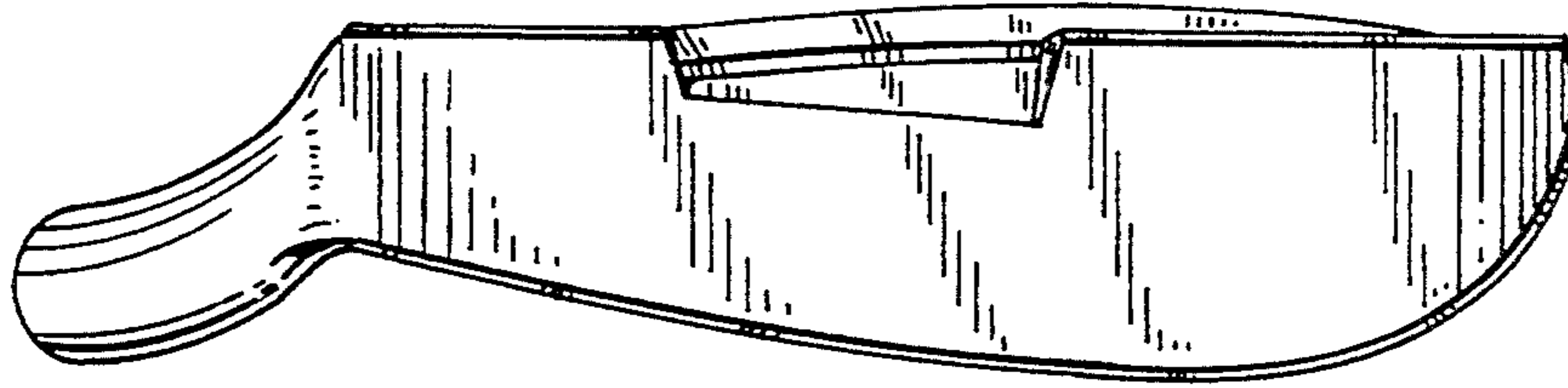


FIG. 5

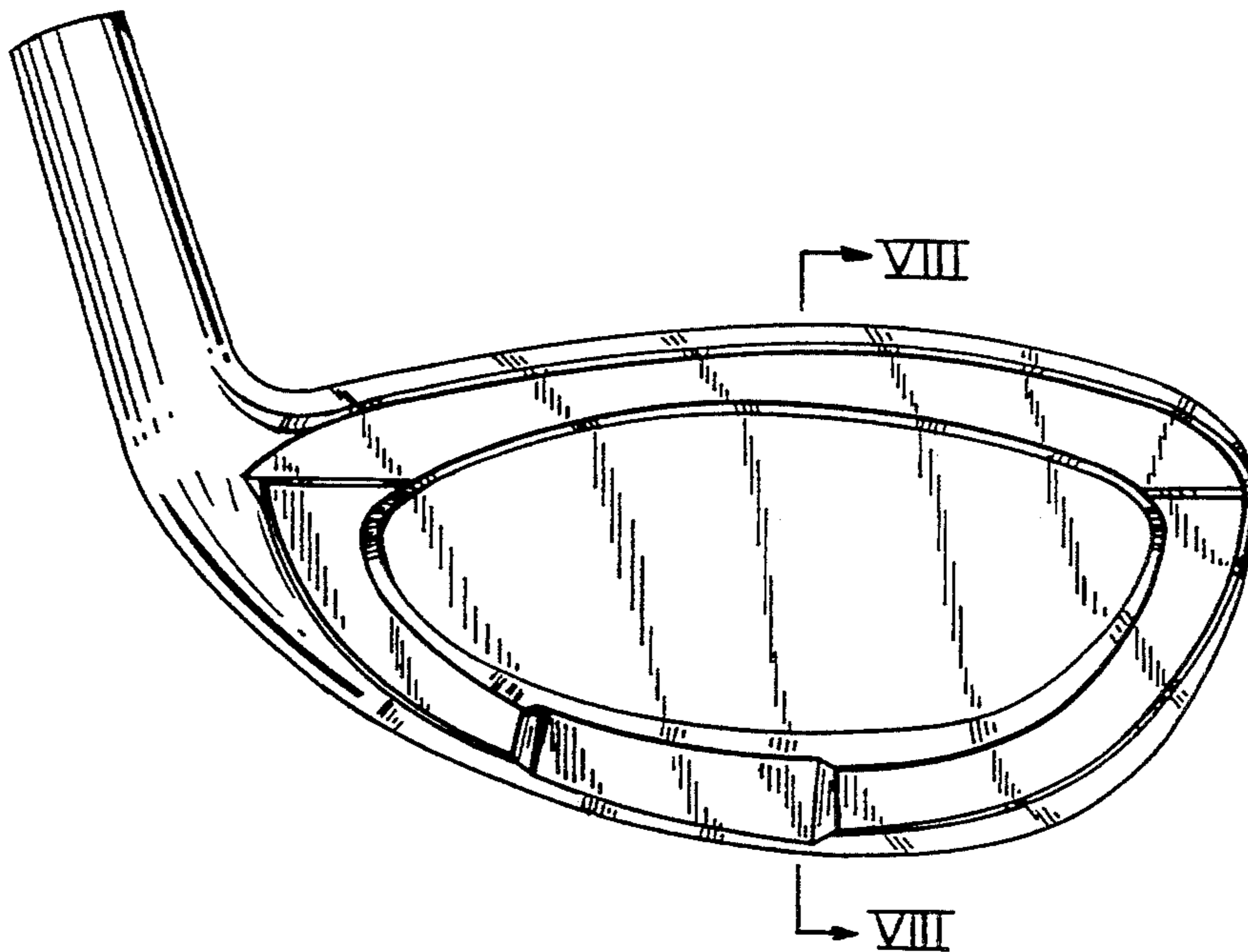


FIG. 6

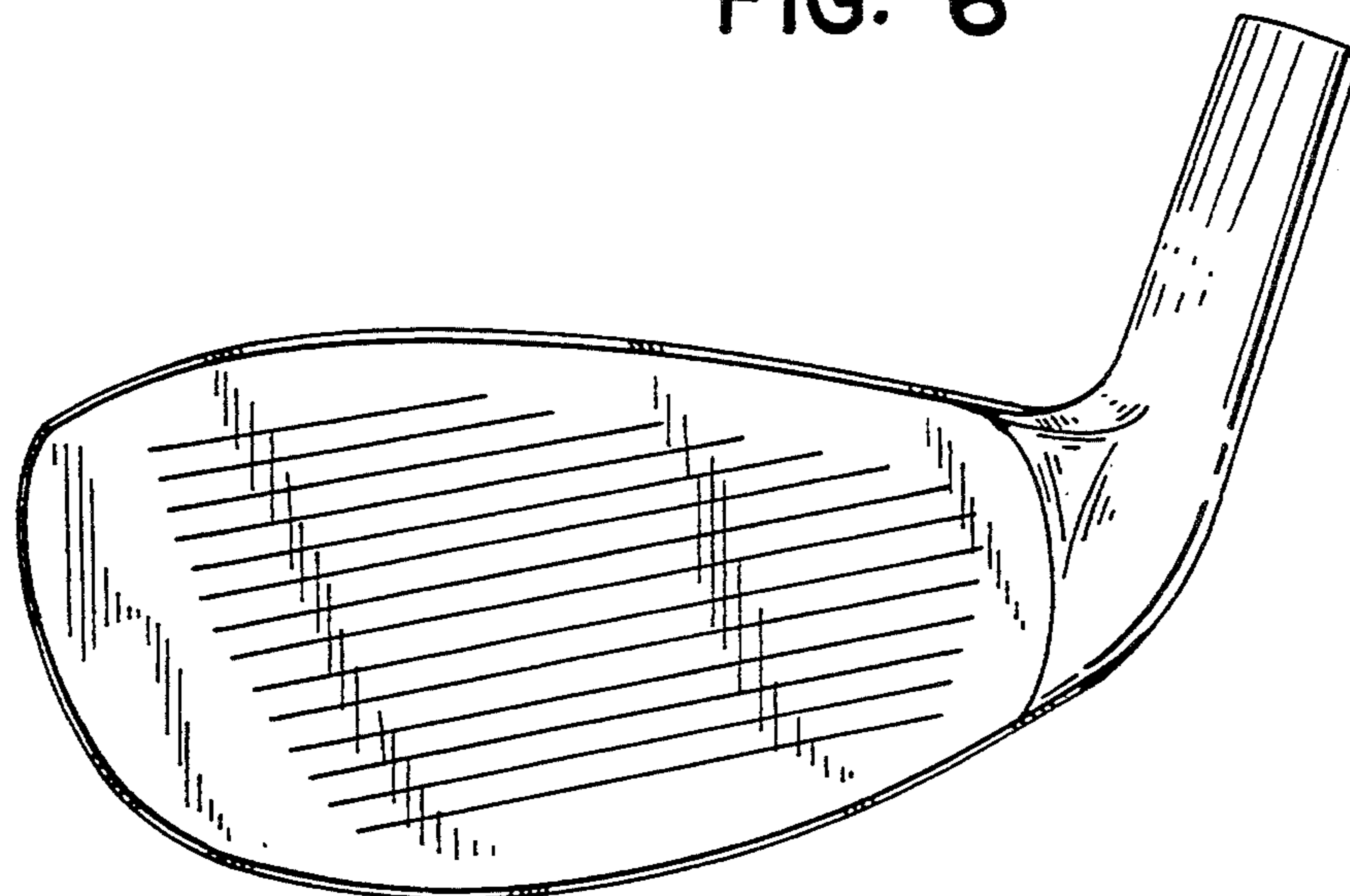


FIG. 7