



US00D360918S

# United States Patent [19]

[11] Patent Number: **Des. 360,918**

Carlson

[45] Date of Patent: **\*\* Aug. 1, 1995**

[54] **GOLF BALL RETRIEVER**  
[76] Inventor: **Clarence J. Carlson, 415 Labian Dr.,  
Flushing, Mich. 48433**

5,102,139 4/1992 Greig ..... 273/162 D  
5,110,168 5/1992 Petrillo ..... 294/19.2  
5,165,744 11/1992 Vogrin ..... 294/19.2  
5,188,409 2/1993 Forey ..... 294/19.2

[\*\*] Term: **14 Years**

*Primary Examiner*—Theodore M. Shooman  
*Assistant Examiner*—Cheri Cohen

[21] Appl. No.: **17,749**

[57] **CLAIM**

[22] Filed: **Jan. 21, 1994**  
[52] U.S. Cl. .... **D21/206**  
[58] Field of Search ..... **D21/206; 273/162 E,  
273/162 D, 32 F; 294/19.1, 19.2, 24**

The ornamental design for the golf ball retriever, as shown and described.

**DESCRIPTION**

[56] **References Cited**  
**U.S. PATENT DOCUMENTS**

D. 191,314 9/1961 Mengel ..... D21/206  
2,814,520 11/1957 Ruhland ..... D21/206 X  
4,361,329 11/1982 Brock ..... 294/19.2 X  
4,976,436 12/1990 Serizawa ..... 273/162 E

FIG. 1 is a front elevational view of the golf ball retriever showing my new design;  
FIG. 2 is a rear elevational view thereof;  
FIG. 3 is a left side elevational view thereof;  
FIG. 4 is a right side elevational view thereof;  
FIG. 5 is a top plan view thereof; and,  
FIG. 6 is a bottom plan view thereof.

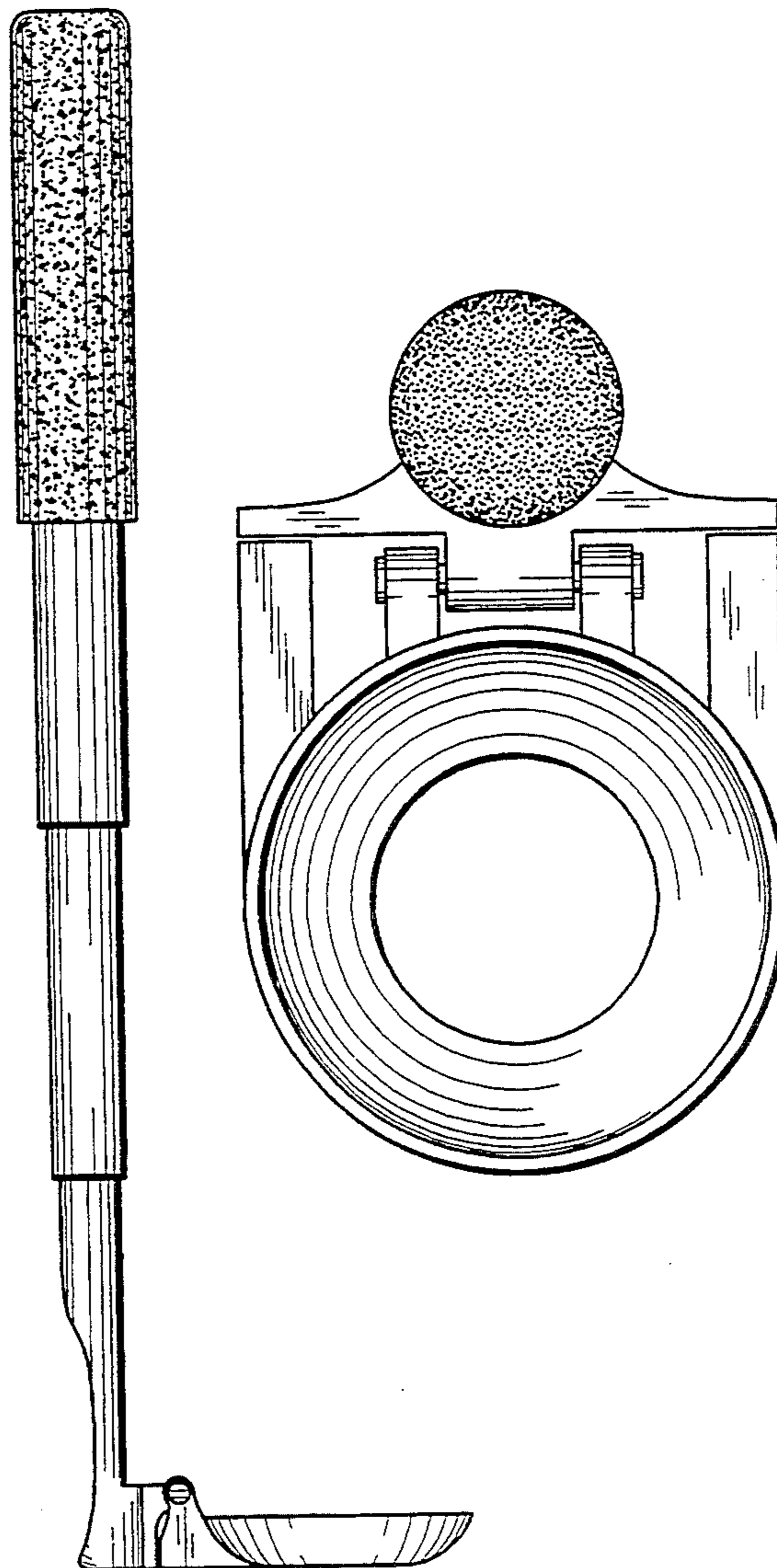


FIG. 1

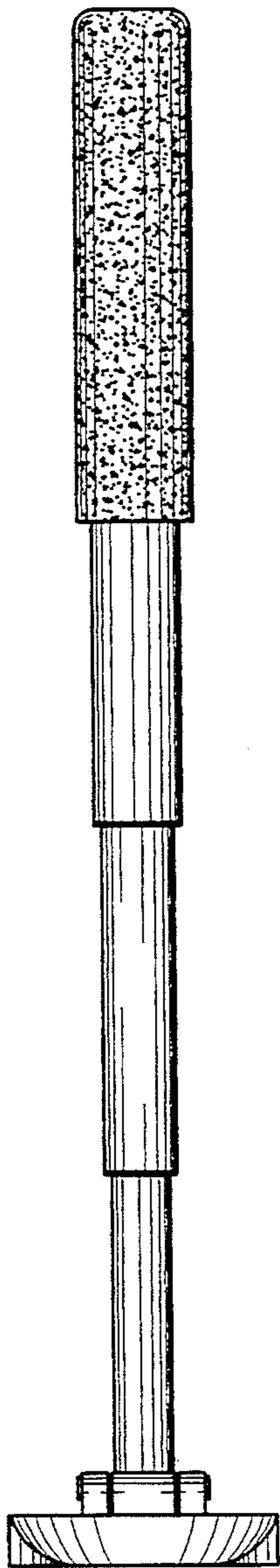


FIG. 2

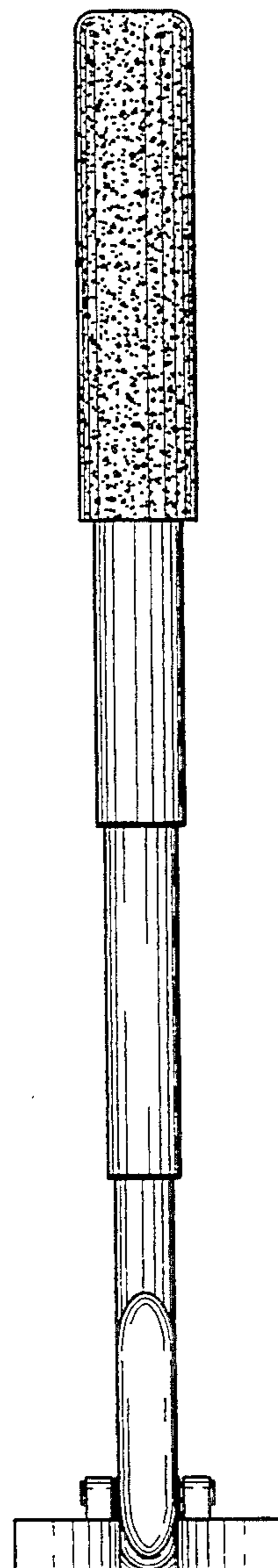


FIG. 3

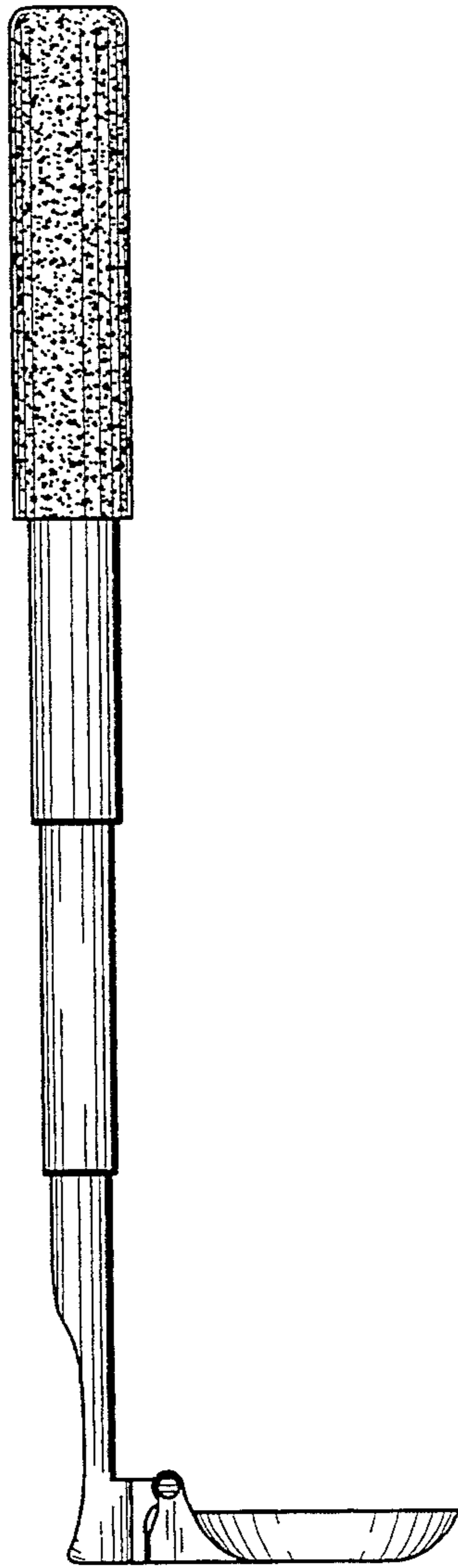


FIG. 4

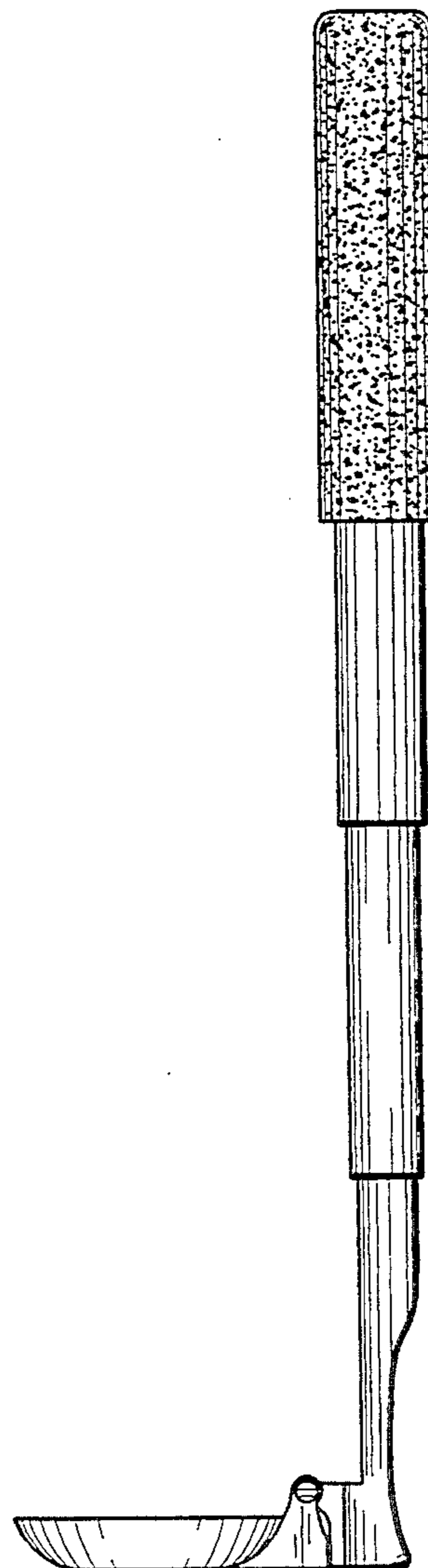


FIG. 5

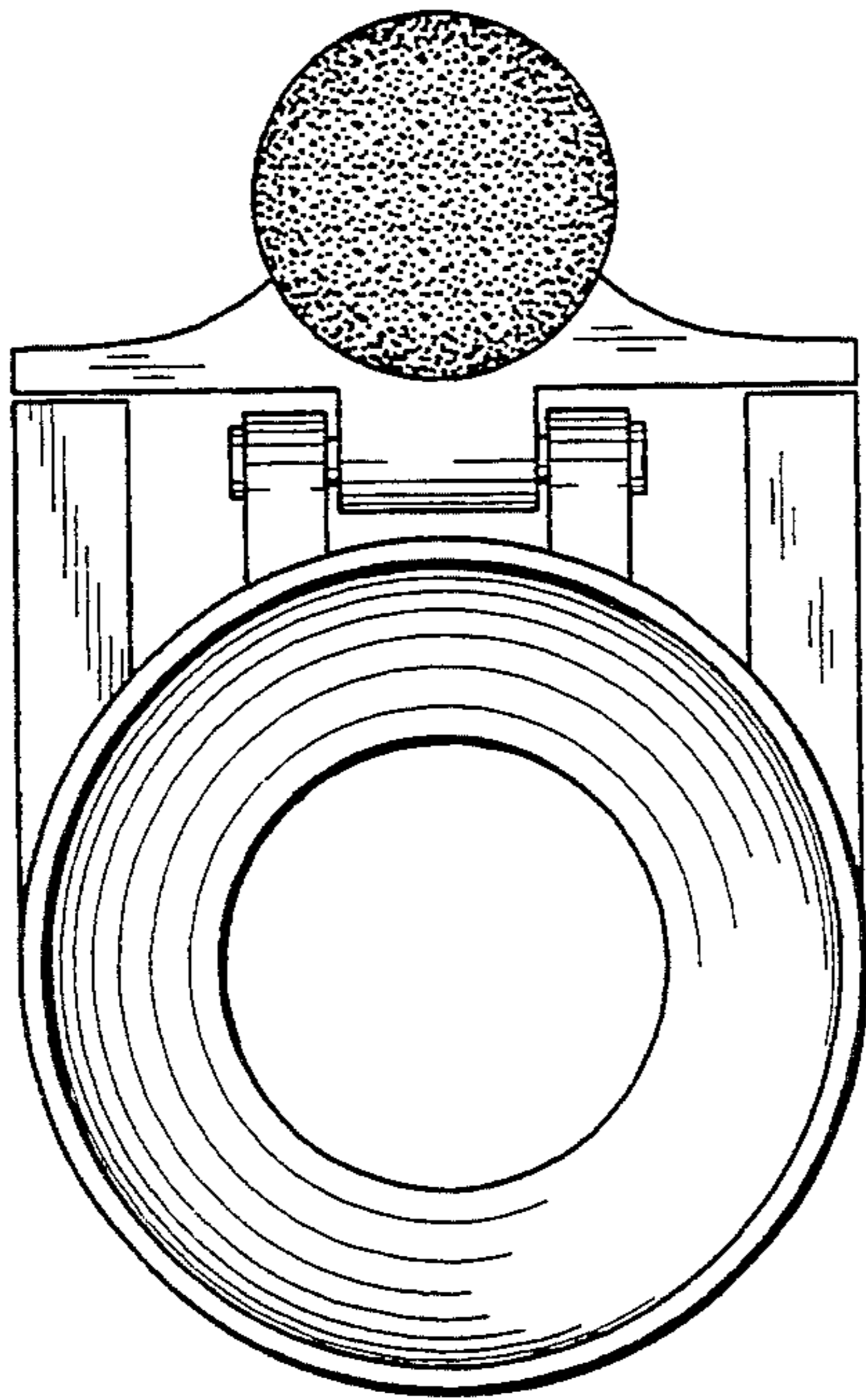


FIG. 6

