



US00D360916S

United States Patent [19]

[11] Patent Number: **Des. 360,916**

Koga

[45] Date of Patent: **** Aug. 1, 1995**

[54] **ERGOMETER**

[75] Inventor: **Harukaze Koga, Tokyo, Japan**

[73] Assignee: **Combi Corporation, Tokyo, Japan**

[**] Term: **14 Years**

[21] Appl. No.: **24,549**

[22] Filed: **Jun. 16, 1994**

[30] **Foreign Application Priority Data**

Dec. 16, 1993 [JP] Japan 5-37870

[52] U.S. Cl. **D21/194**

[58] Field of Search **D21/194, 191, 195;**
482/51, 57, 58, 59

[56] **References Cited**

U.S. PATENT DOCUMENTS

D. 299,670	1/1989	Lin et al.	D21/194
D. 307,166	4/1990	Wu	D21/194
D. 307,782	5/1990	Birrell et al.	D21/194
D. 308,235	5/1990	Meisner	D21/194

D. 310,697	9/1990	Kagayama	D21/194
D. 323,368	1/1992	Whitesel	D21/194
D. 325,946	5/1992	Cesaroni et al.	D21/194
D. 343,659	1/1994	Kiiski	D21/194
D. 344,774	3/1994	Lertyaovarit	D21/194
D. 349,932	8/1994	Ueda et al.	D21/194

Primary Examiner—Theodore M. Shooman
Assistant Examiner—Philip Hyder
Attorney, Agent, or Firm—Sughrue, Mion, Zinn,
Macpeak & Seas

[57] **CLAIM**

The ornamental design for an ergometer, as shown.

DESCRIPTION

FIG. 1 is a perspective view of the front, top and left end of an ergometer showing my new design; FIG. 2 is a front elevational view thereof; FIG. 3 is a left side elevational view thereof; FIG. 4 is a right side elevational view thereof; FIG. 5 is a rear elevational view thereof; FIG. 6 is a top plan view thereof; and, FIG. 7 is a bottom plan view thereof.

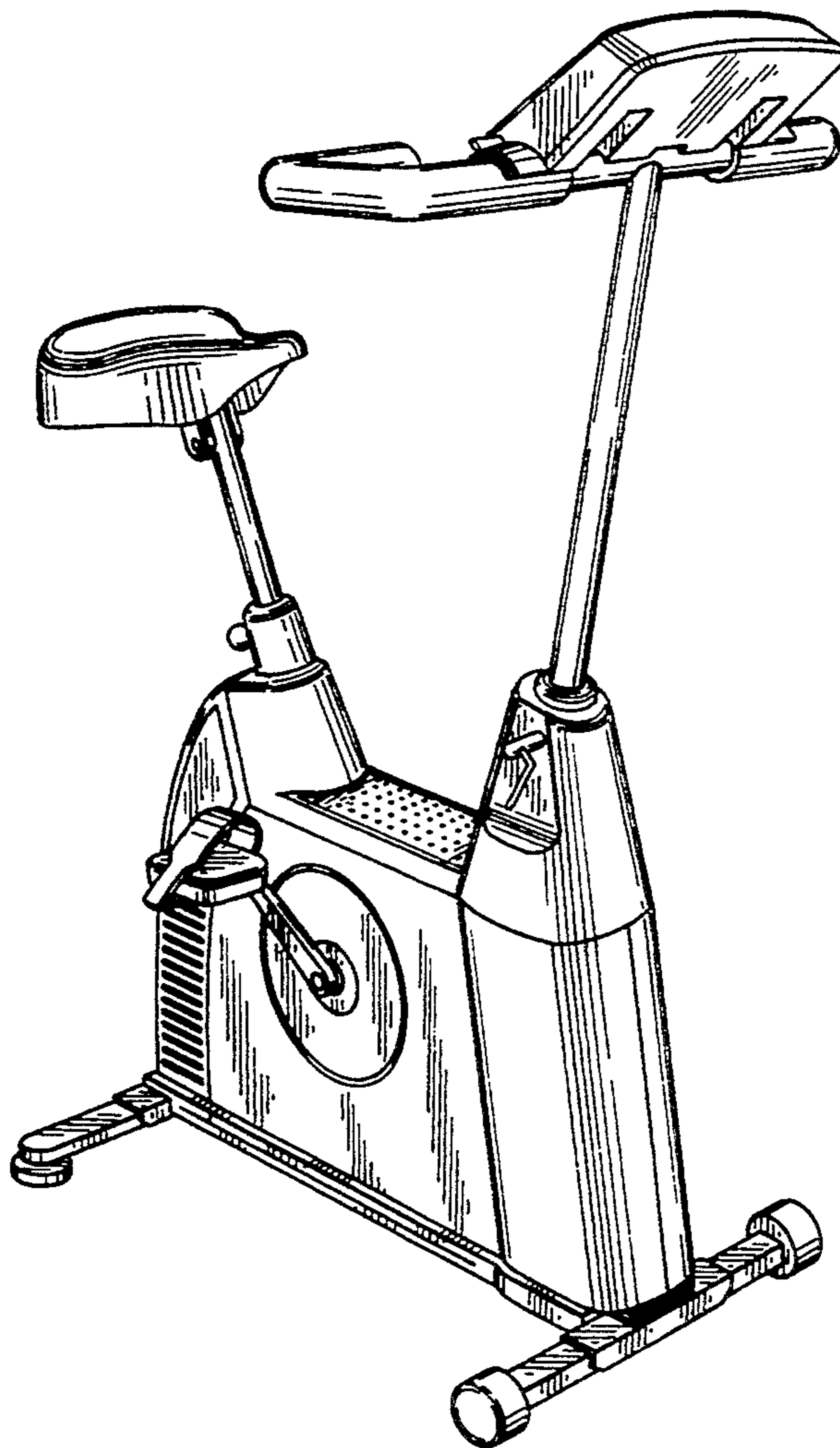


FIG. 1

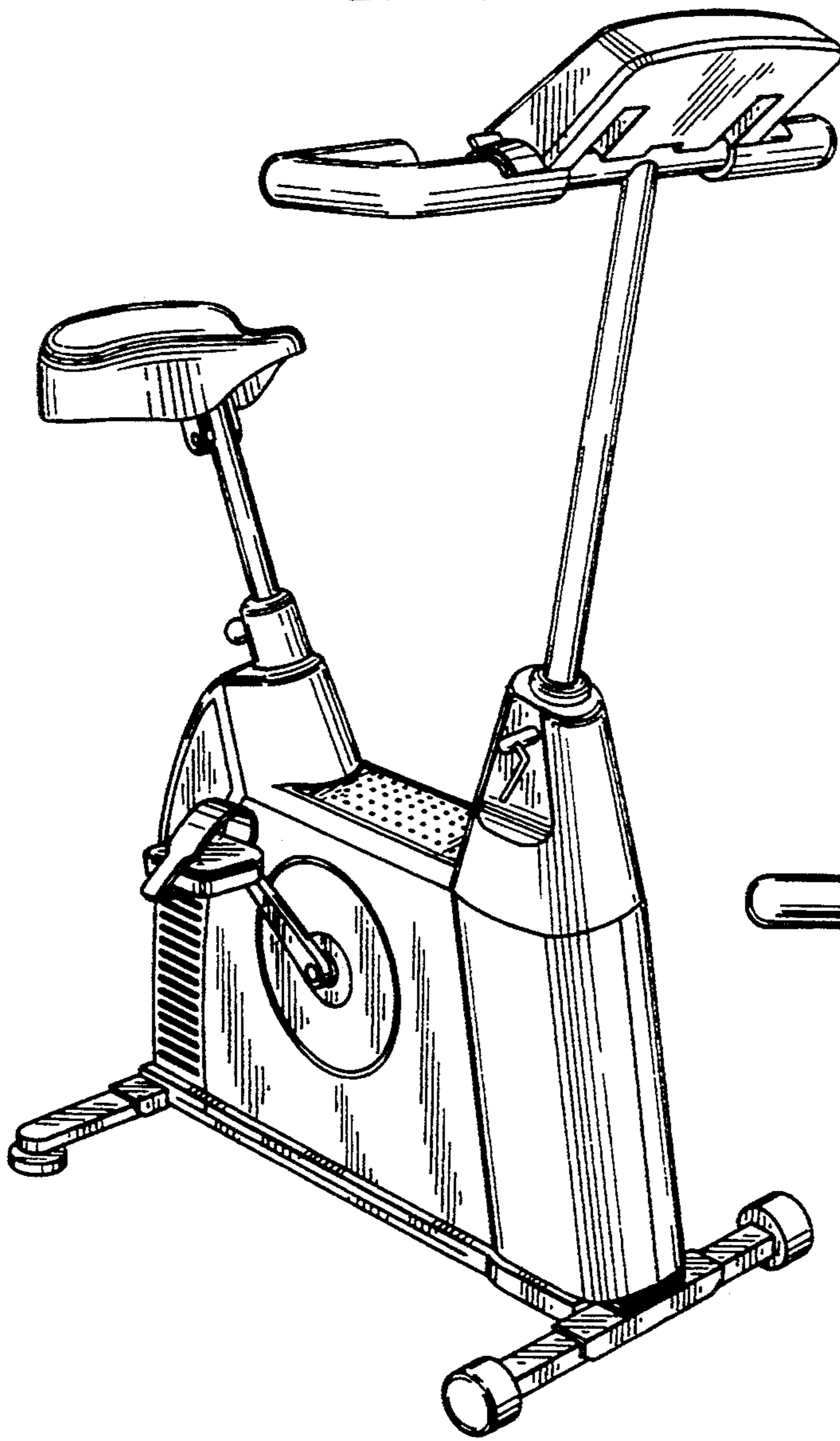


FIG. 2

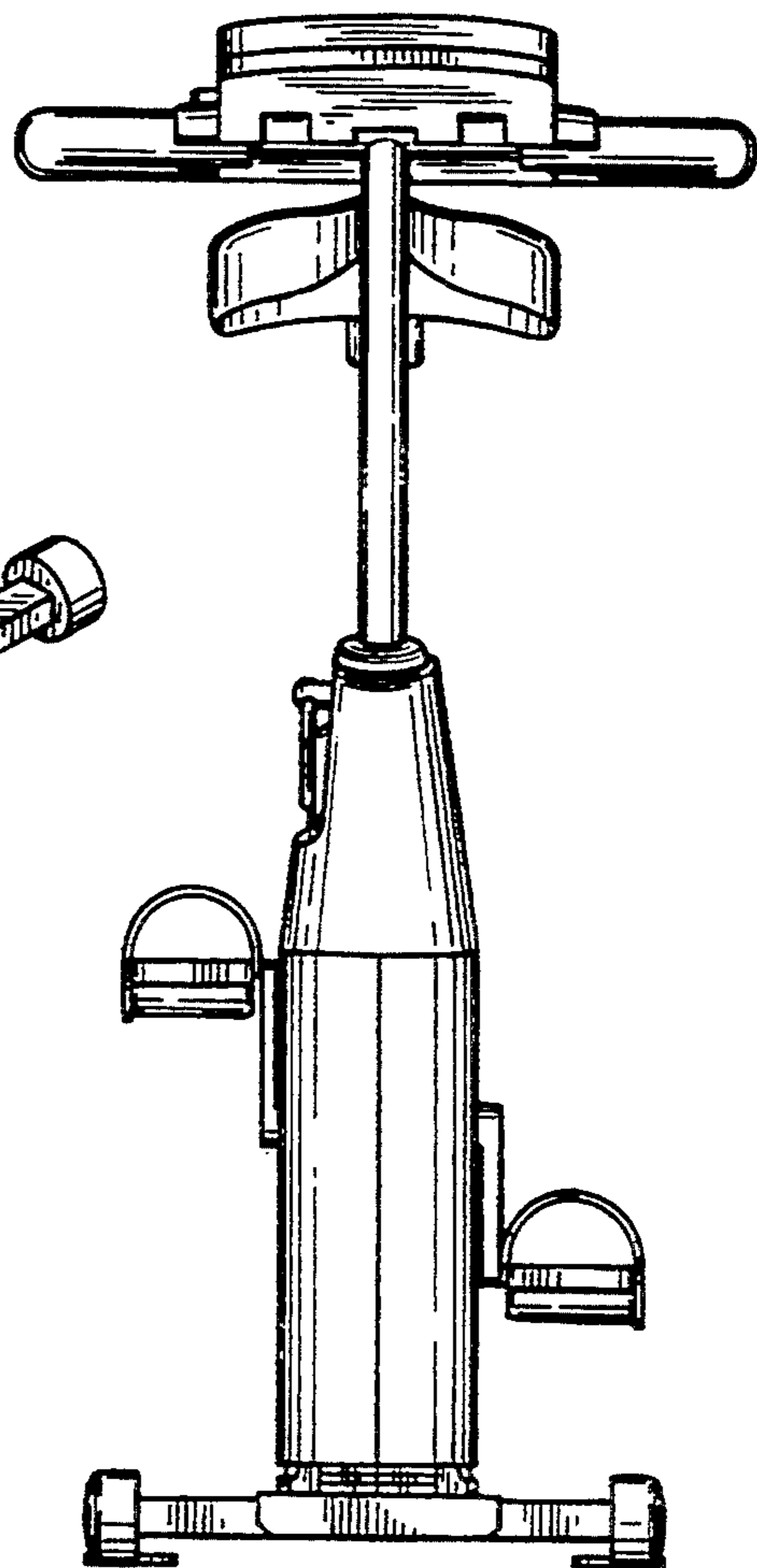


FIG. 4

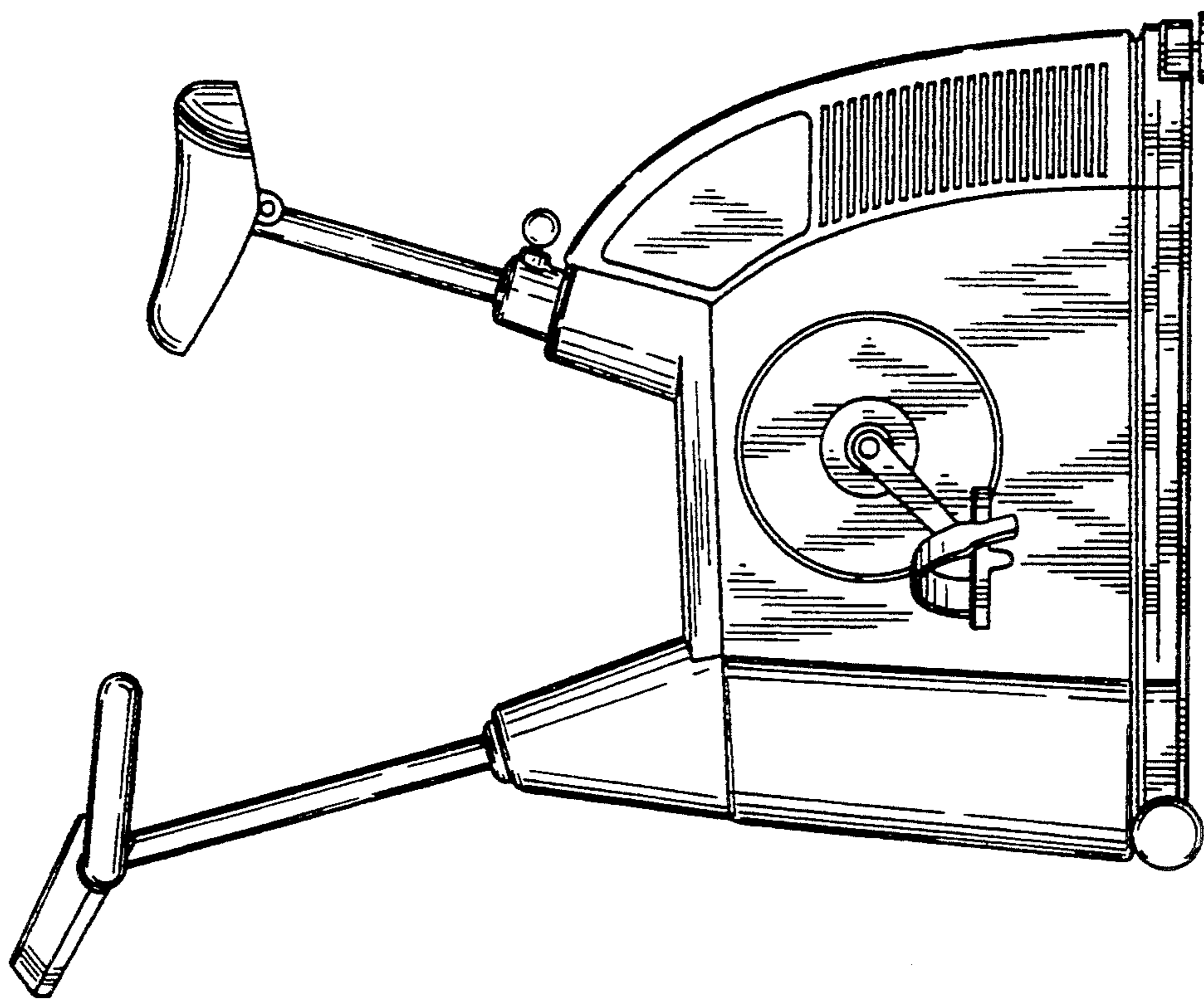


FIG. 3

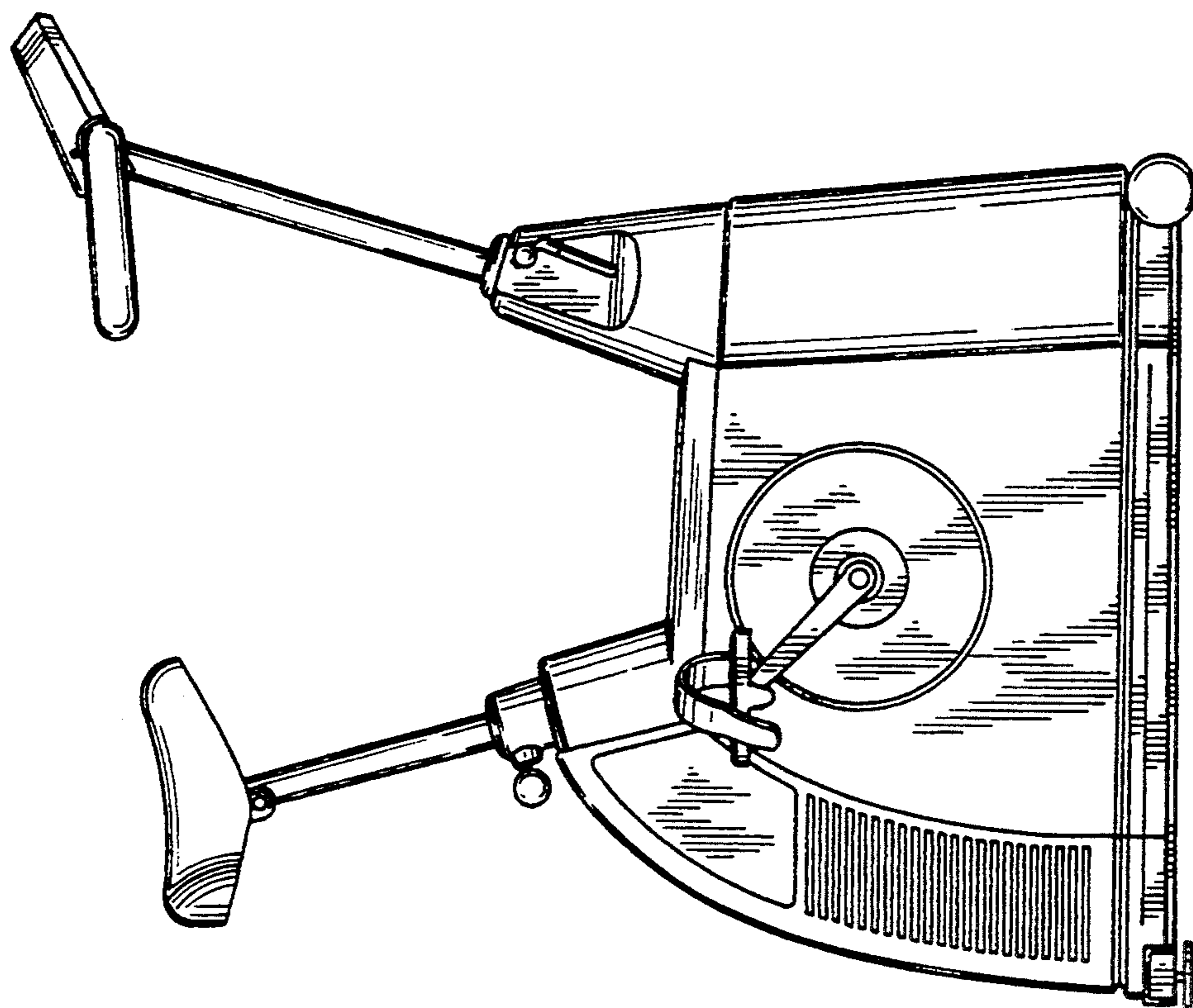


FIG. 5

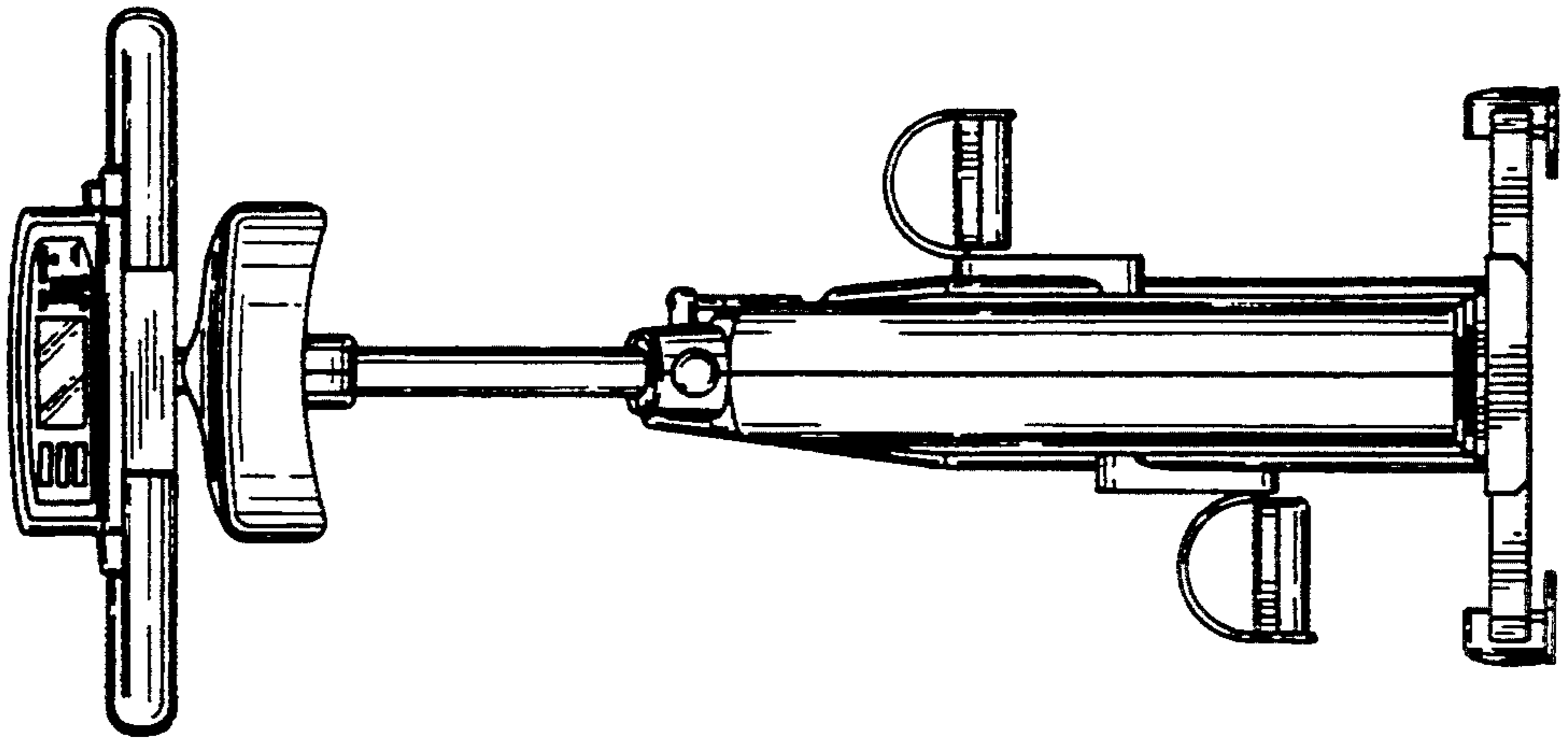


FIG. 6

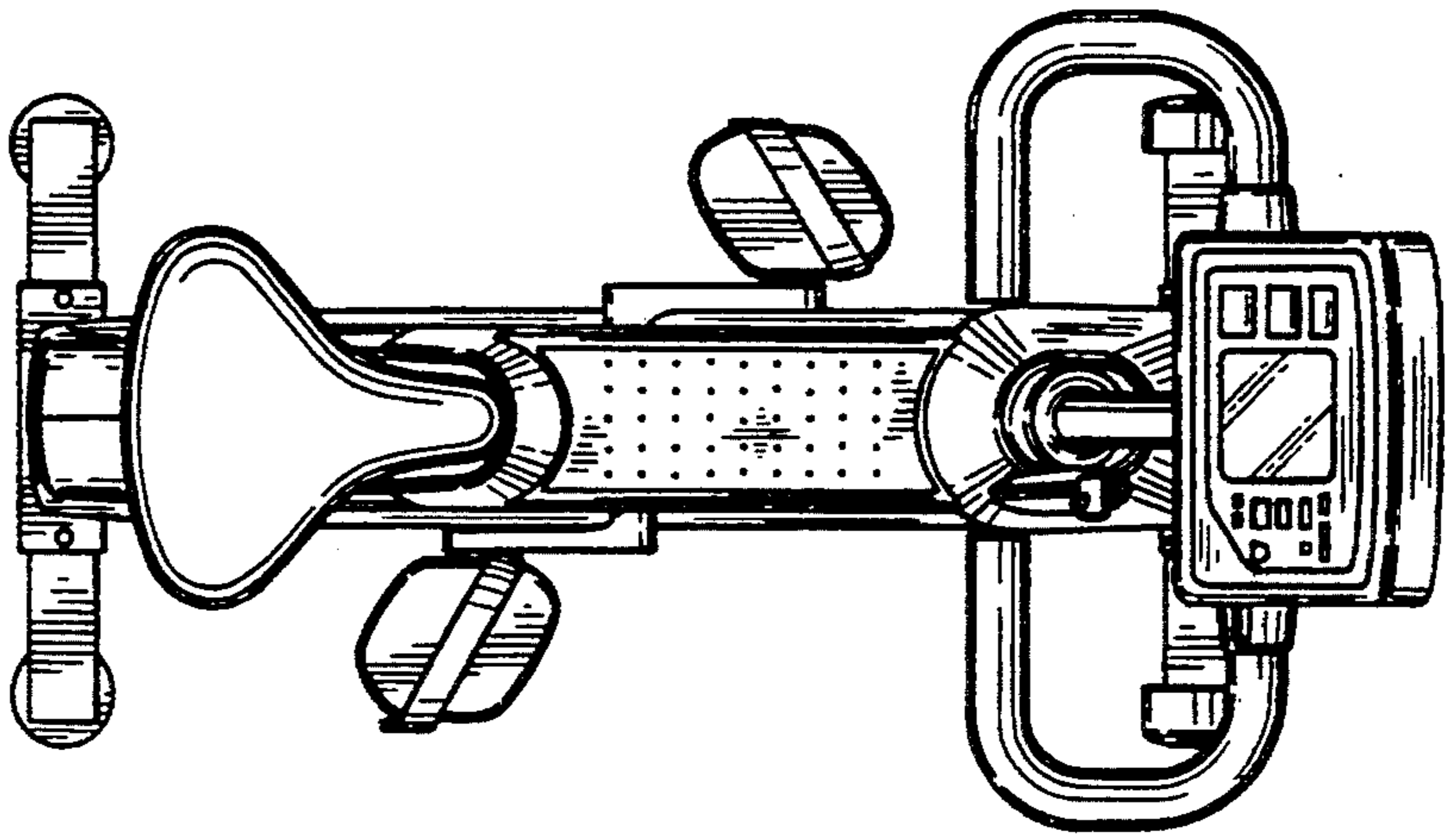


FIG. 7

