



US00D360914S

United States Patent [19]

[11] Patent Number: **Des. 360,914**

Brown

[45] Date of Patent: **** Aug. 1, 1995**

[54] **TOY PROJECTILE SHOOTER**

[75] Inventor: **Robert L. Brown**, Cincinnati, Ohio

[73] Assignee: **Tonka Corporation**, Pawtucket, R.I.

[**] Term: **14 Years**

[21] Appl. No.: **22,262**

[22] Filed: **May 2, 1994**

[52] U.S. Cl. **D21/147**

[58] Field of Search D21/3, 13, 127, 145-147;
D22/100, 103, 113; D23/223-227; 446/28, 175,
267, 473; 222/78, 79; 239/211, 329, 332, 337,
373; 127/21, 27, 56, 65-67; D14/116

[56] **References Cited**

U.S. PATENT DOCUMENTS

D. 139,679	12/1944	Dahlquist	D21/146
D. 170,153	8/1953	Davis et al.	D21/146
D. 339,616	9/1993	Flaherty	D21/146
2,618,885	11/1952	Tigrett	446/473
3,004,533	10/1961	Ritz	124/27
3,009,453	11/1961	Ayala	124/27

OTHER PUBLICATIONS

Hong Kong Toys, Feb. 1991 p. 287 Dart Gun #9900D.

Primary Examiner—Terry A. Wallace

Assistant Examiner—R. Barkai

Attorney, Agent, or Firm—Kurt R. Benson

[57] **CLAIM**

The ornamental design for a toy projectile shooter, as shown and described.

DESCRIPTION

FIG. 1 is a perspective view of a toy projectile shooter embodying my new design;

FIG. 2 is a right side elevational view thereof;

FIG. 3 is a left side elevational view thereof;

FIG. 4 is a top plan view thereof;

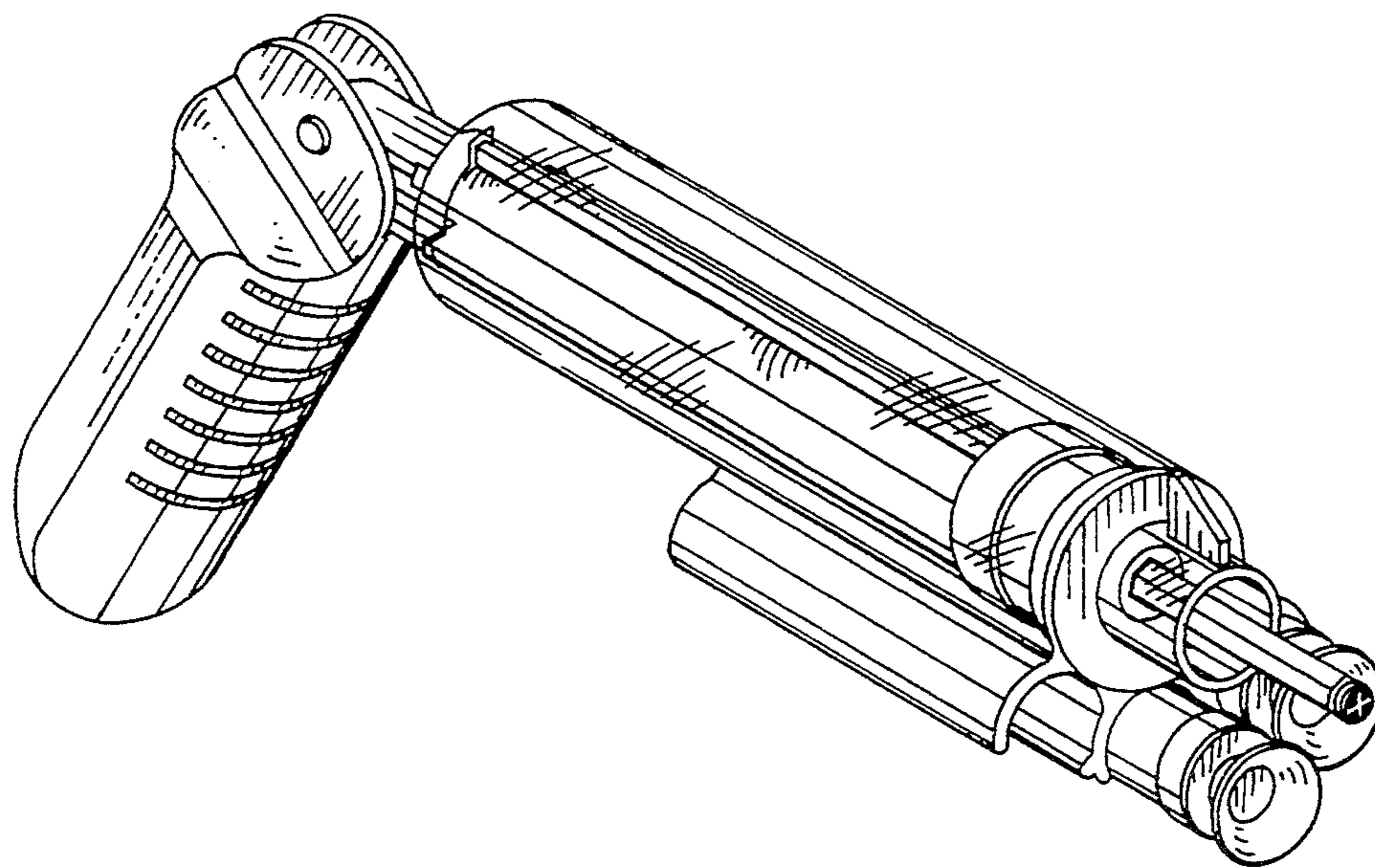
FIG. 5 is a bottom plan view thereof;

FIG. 6 is a front elevational view thereof;

FIG. 7 is a rear elevational view thereof;

FIG. 8 is a perspective view thereof in a collapsed position; and,

FIG. 9 is a perspective view thereof in a cocked and loaded position.



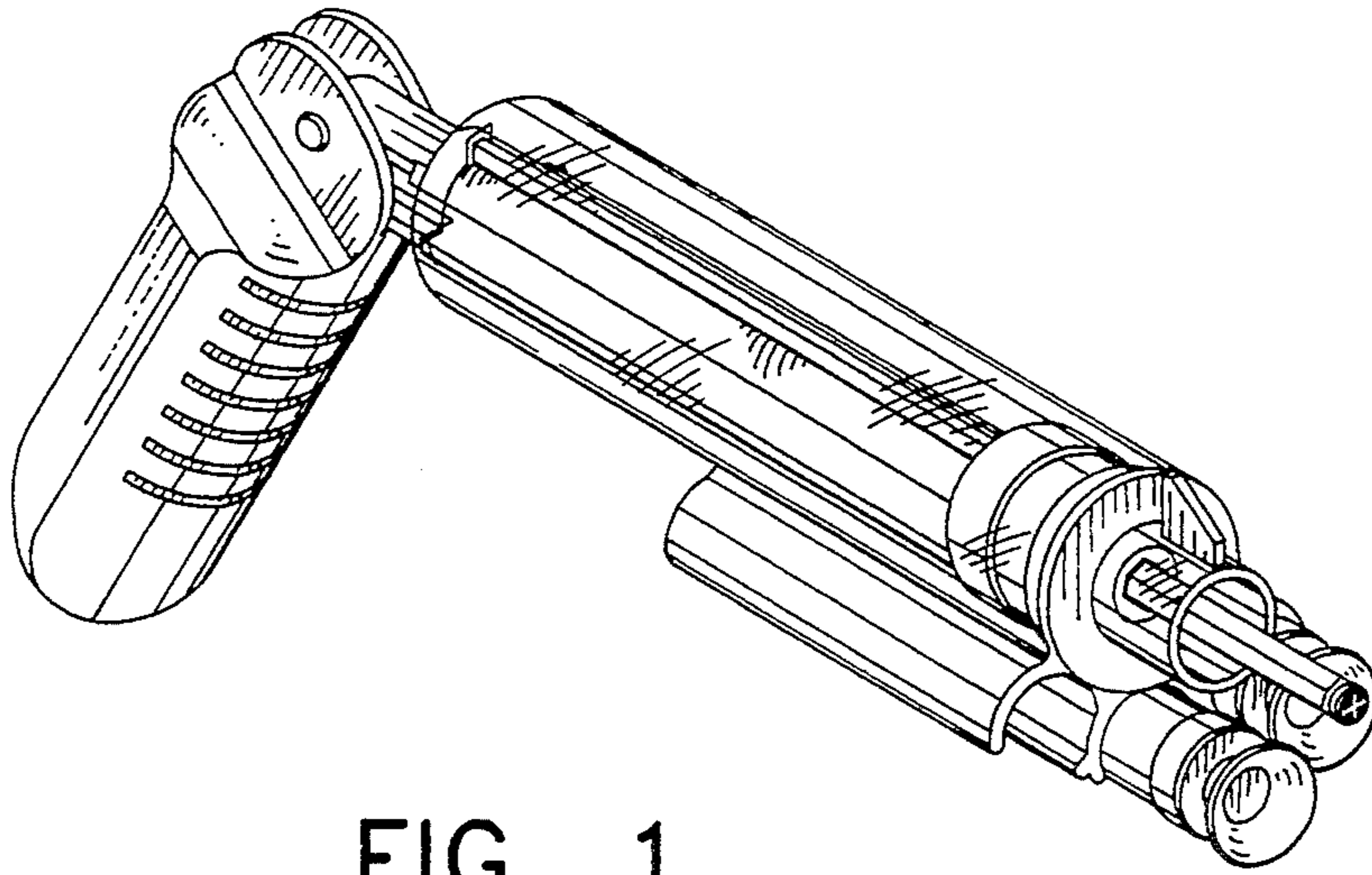


FIG. 1

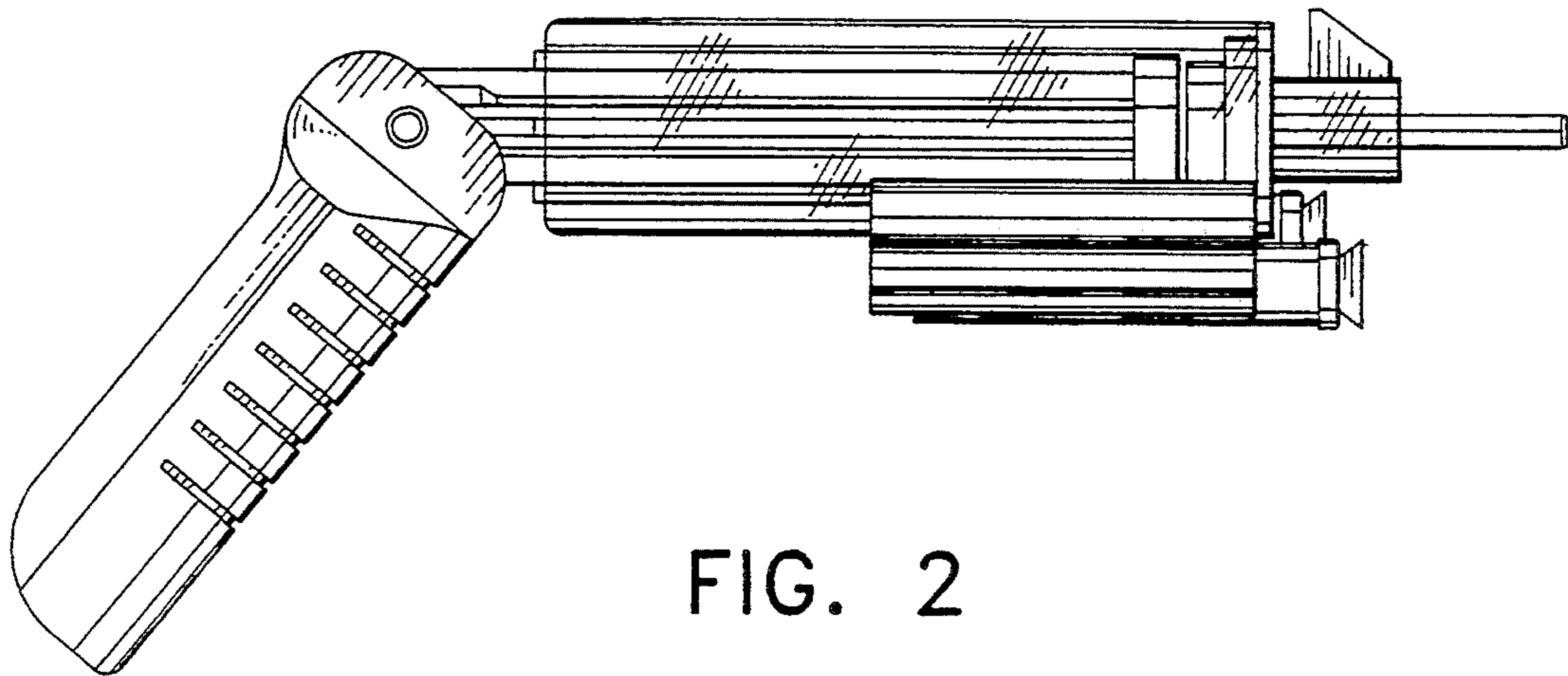


FIG. 2

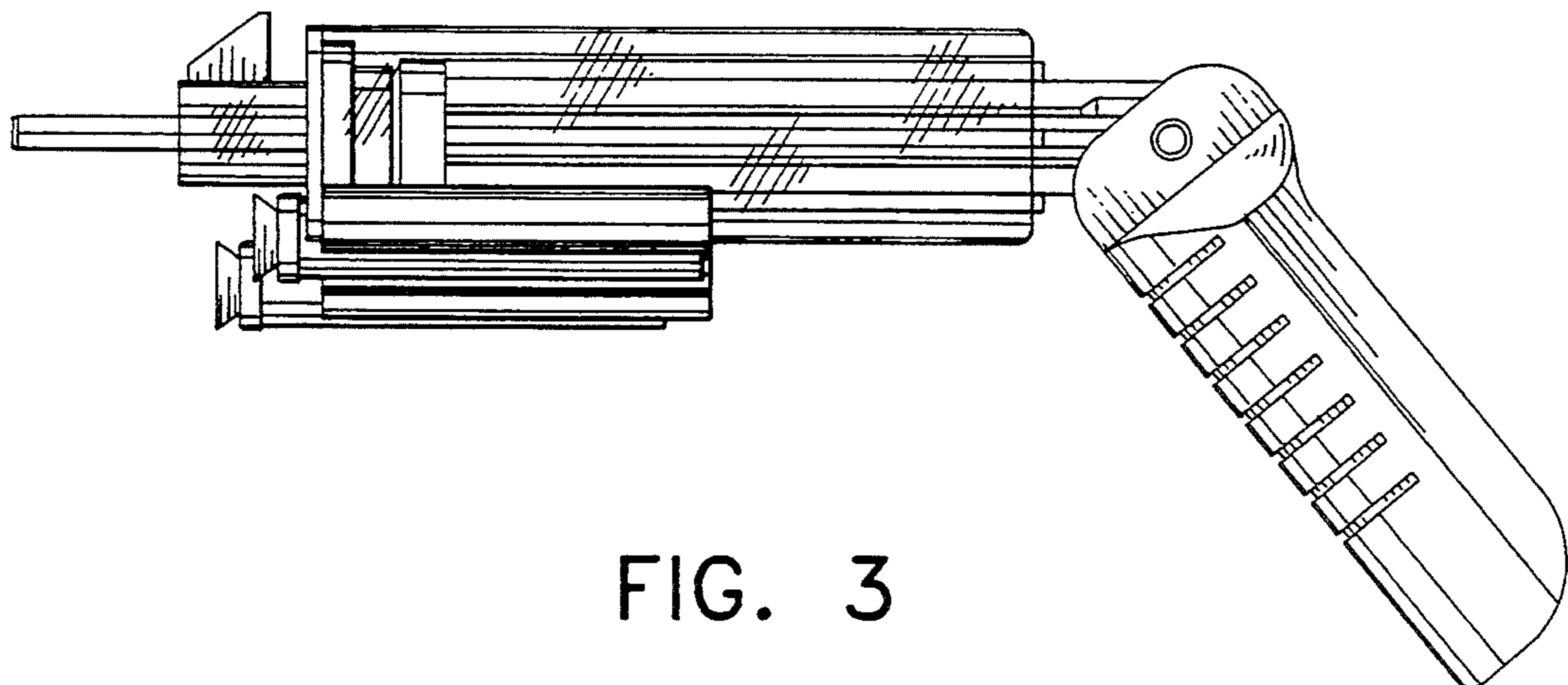


FIG. 3

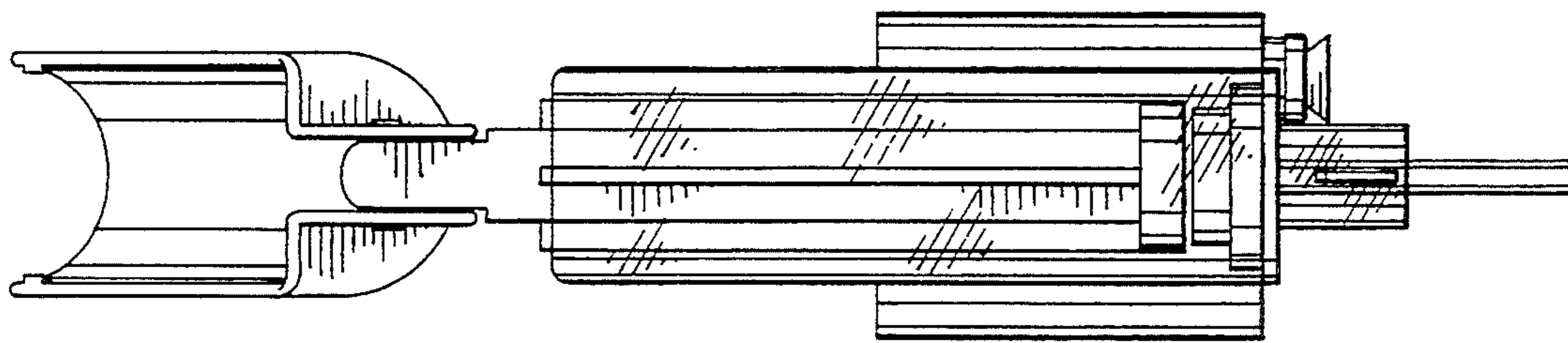


FIG. 4

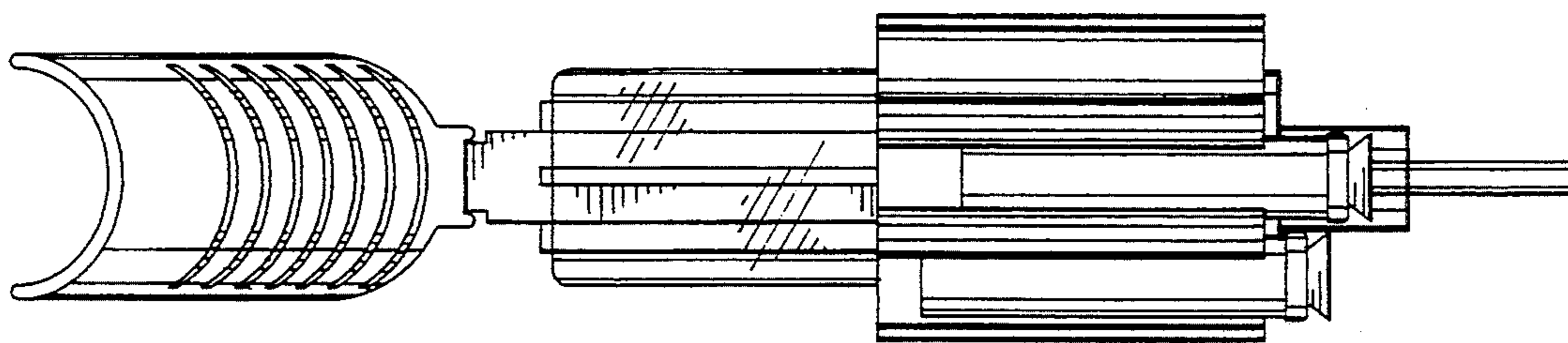


FIG. 5

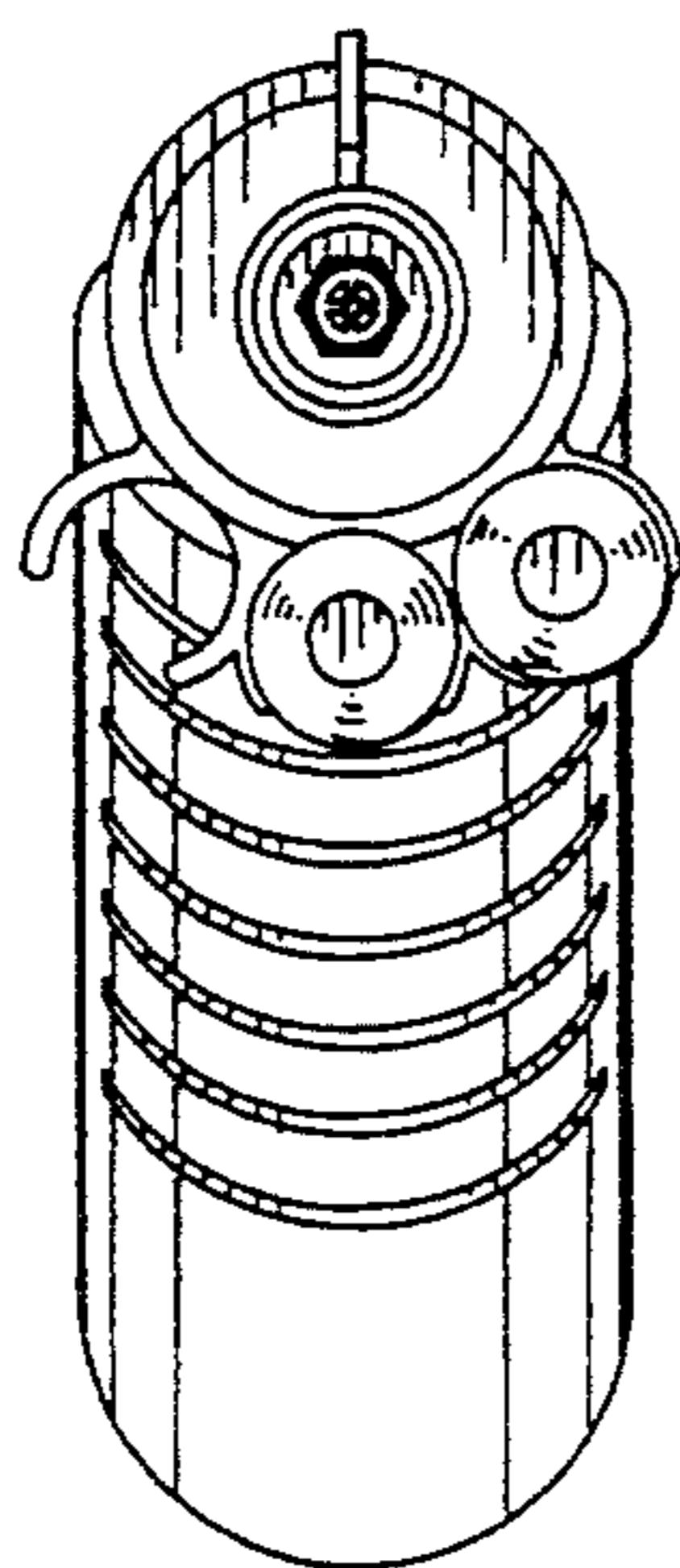


FIG. 6

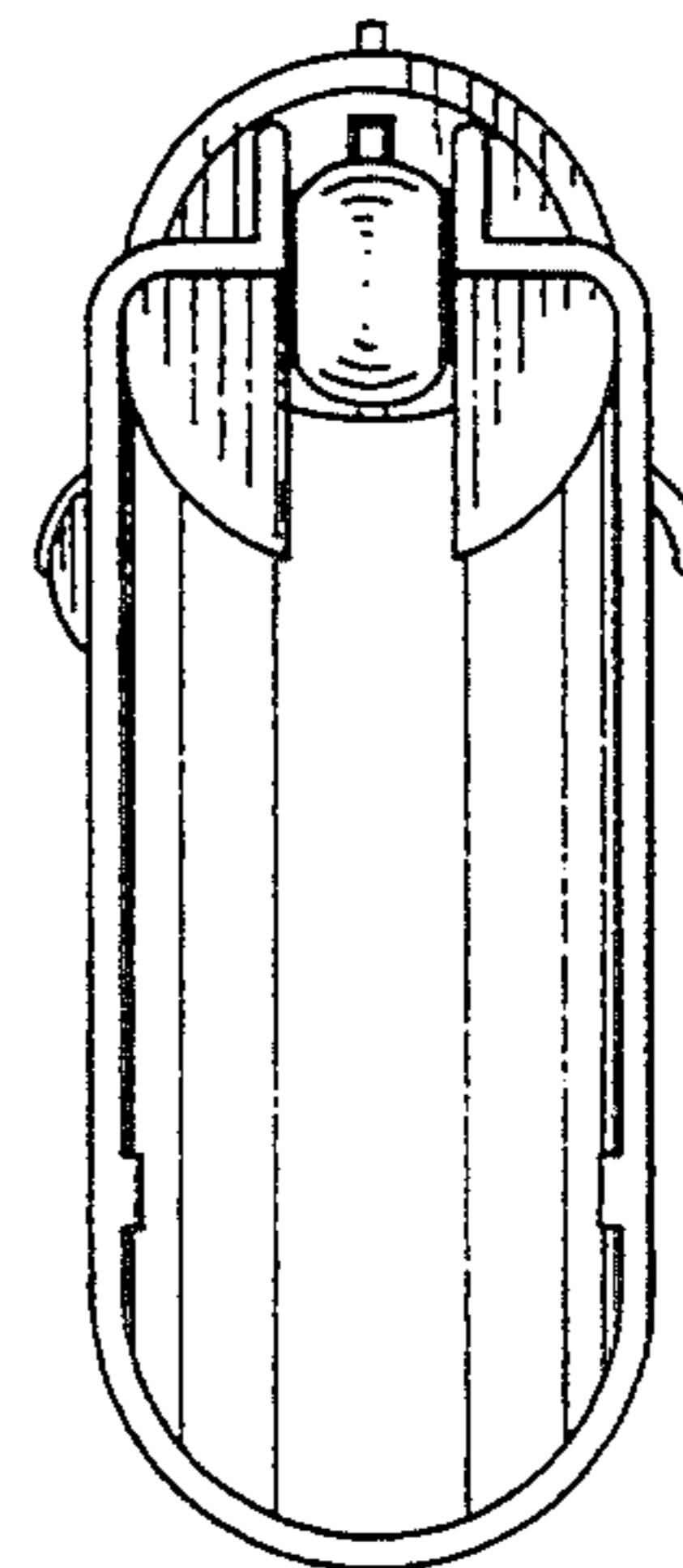


FIG. 7

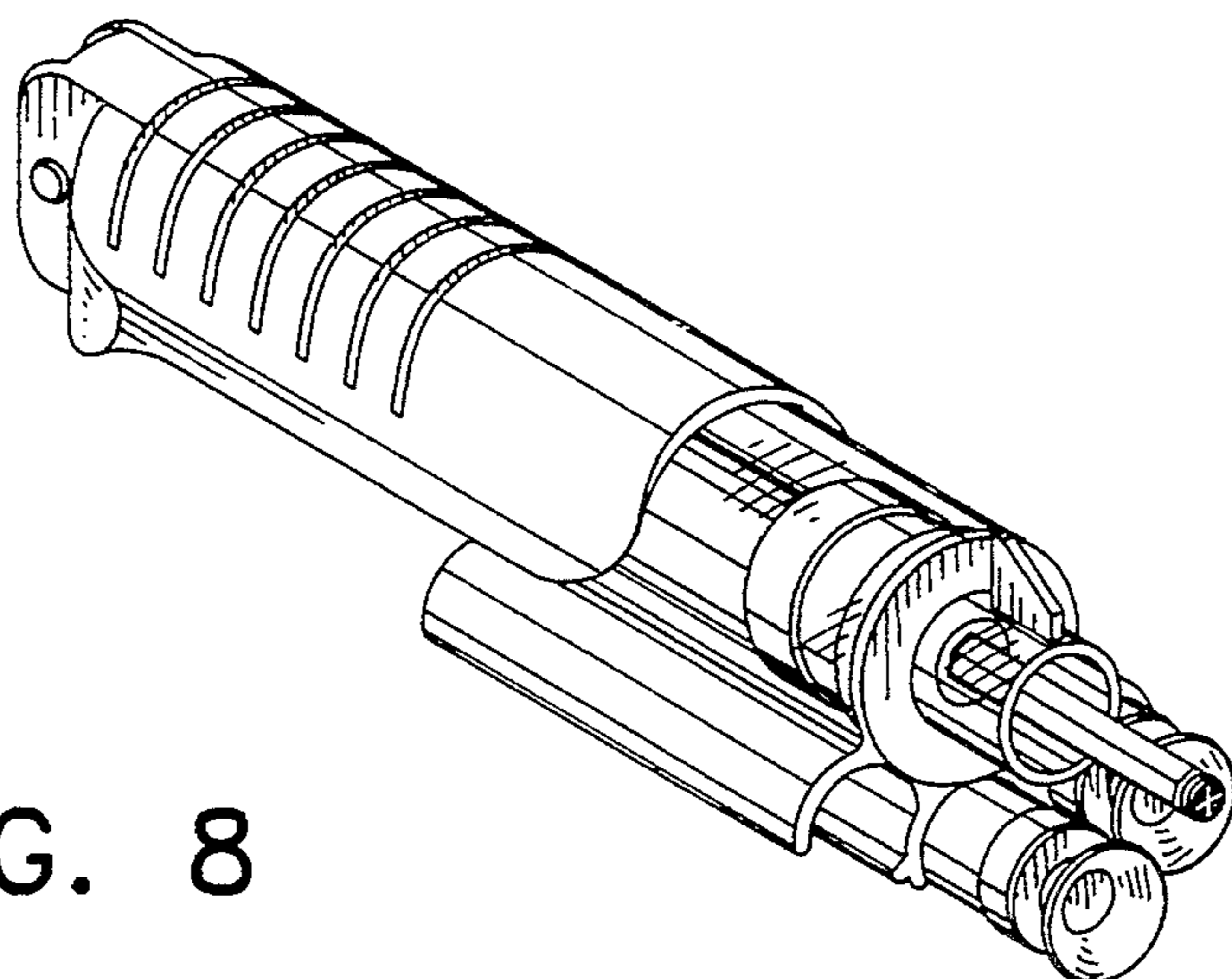


FIG. 8

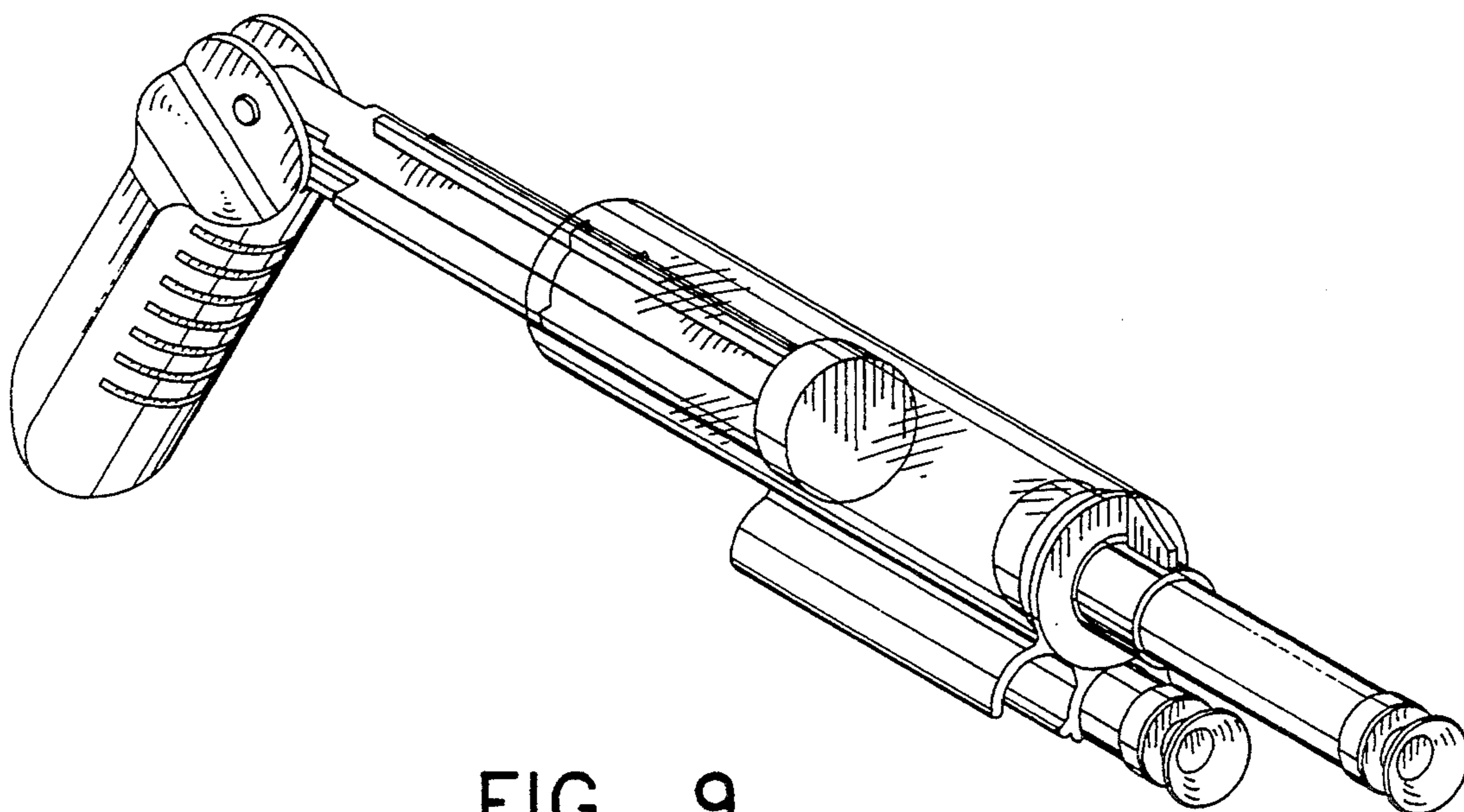


FIG. 9