



US00D360909S

United States Patent [19]
Frederiksen

[11] **Patent Number: Des. 360,909**
[45] **Date of Patent: ** Aug. 1, 1995**

[54] **TOY BUILDING ELEMENT**

[75] Inventor: **Jesper B. Frederiksen**, Nykøbing F., Denmark

[73] Assignee: **Interlego AG**, Baar, Switzerland

[**] Term: **14 Years**

[21] Appl. No.: **29,146**

[22] Filed: **Sep. 29, 1994**

[52] U.S. Cl. **D21/108**

[58] Field of Search **D21/59, 108, 161, 162, D21/165, 190; 446/93, 95, 97, 100, 121, 125, 128, 465, 470**

OTHER PUBLICATIONS

Domus, Sep. 1976, p. 42, construction piece right side of page.

Constructive Playthings p. 20 Summer 1992 gears "E" lower left of page.

Constructive Playthings, cover, Summer 1992 "Fence" lower left of page.

Primary Examiner—Theodore M. Shooman

Assistant Examiner—R. Barkai

Attorney, Agent, or Firm—Kane, Dalsimer, Sullivan, Kurucz, Levy, Eisele and Richard

[57] **CLAIM**

The ornamental design for a toy building element, as shown and described.

DESCRIPTION

FIG. 1 is a top perspective view of the toy building element showing my new design;

FIG. 2 is a bottom perspective view thereof;

FIG. 3 is a side elevational view thereof, all sides being identical;

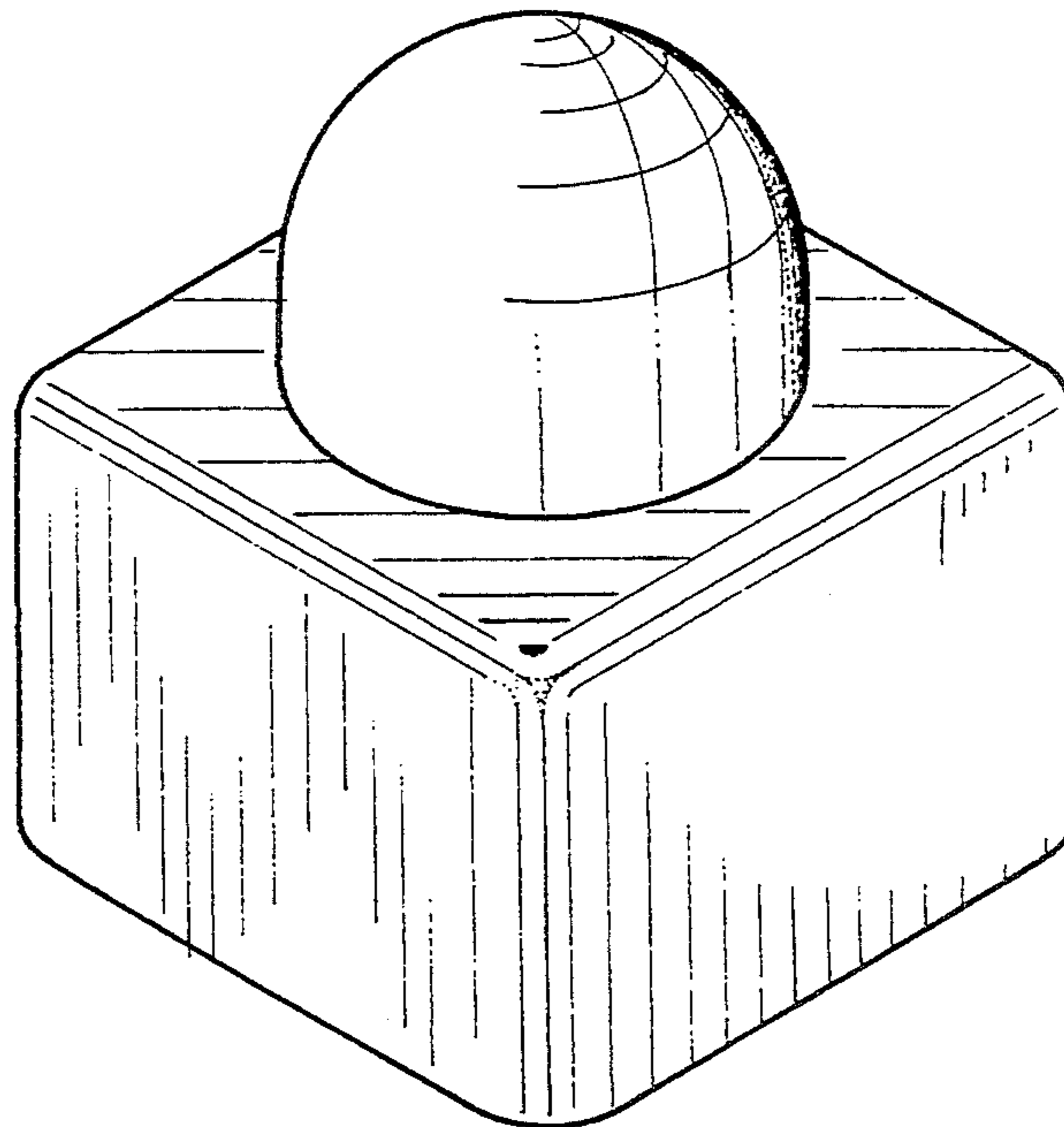
FIG. 4 is a bottom plan view thereof; and,

FIG. 5 is a top plan view thereof.

[56] **References Cited**

U.S. PATENT DOCUMENTS

D. 266,101	9/1982	Grubb et al.	D21/108
D. 325,605	4/1992	Holmstrom	D21/108
D. 352,744	11/1994	Ryaa et al.	D21/108
3,862,512	1/1975	Vogel	446/128
4,744,780	5/1988	Volpe	446/121



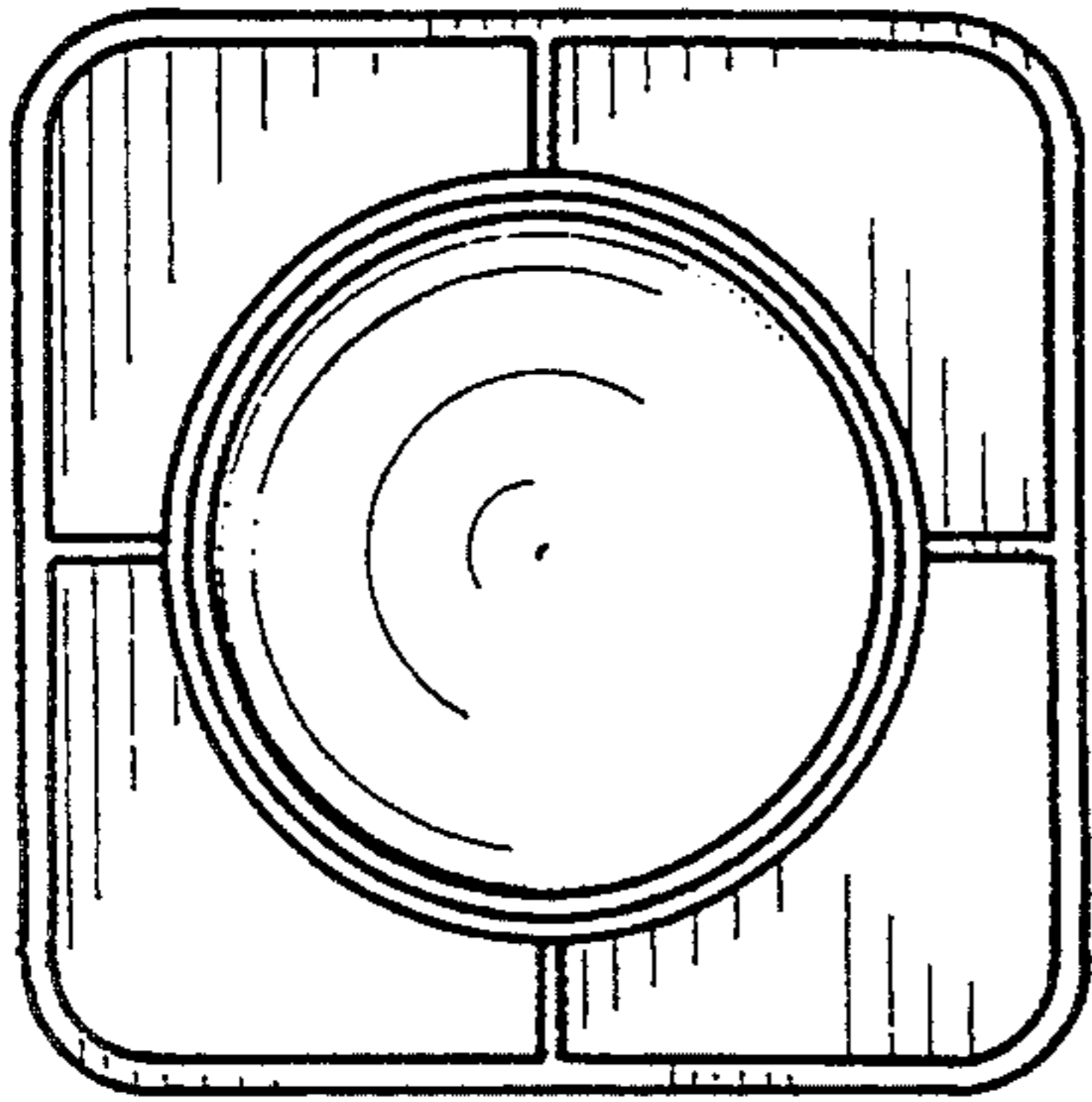


FIG. 4

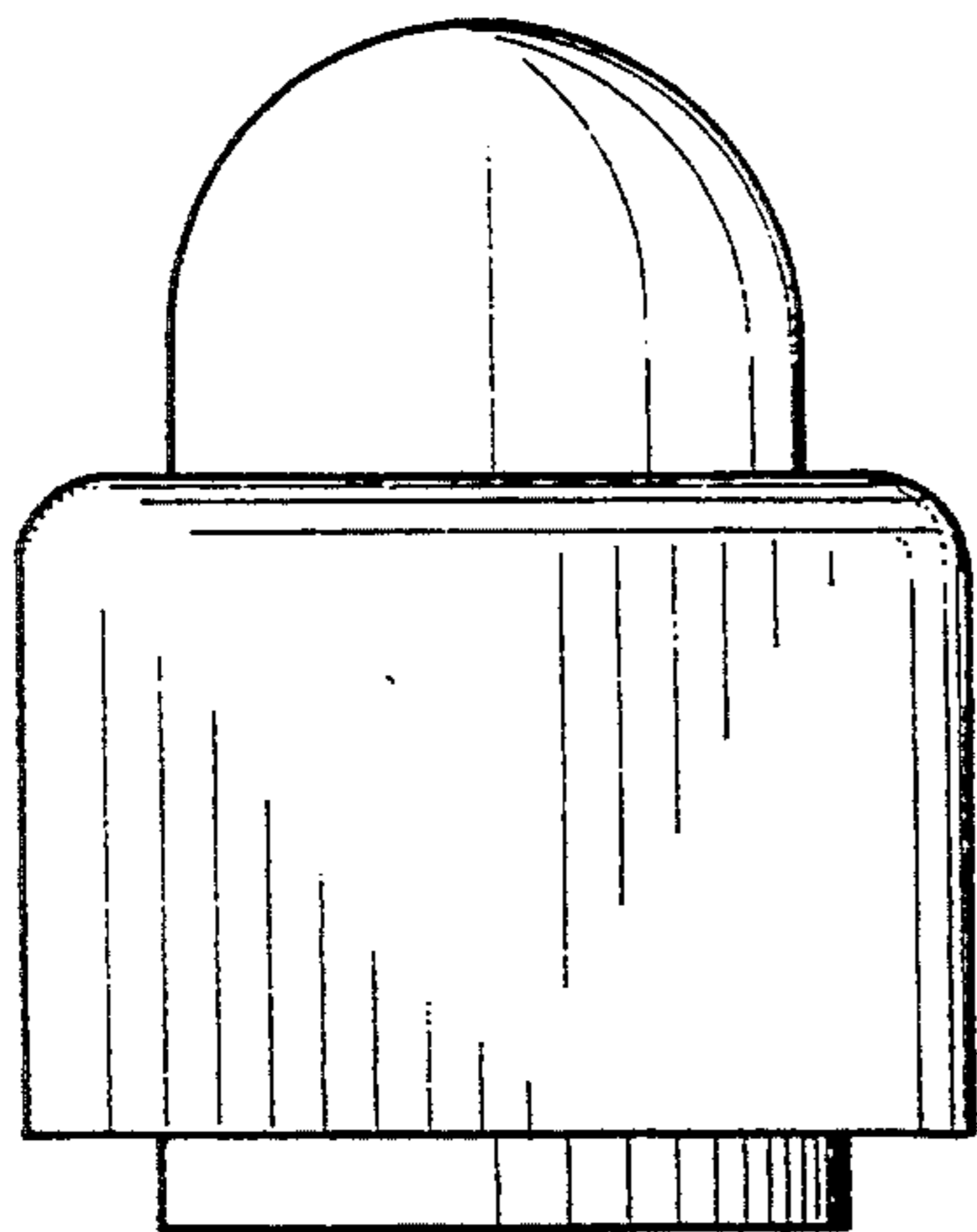


FIG. 3

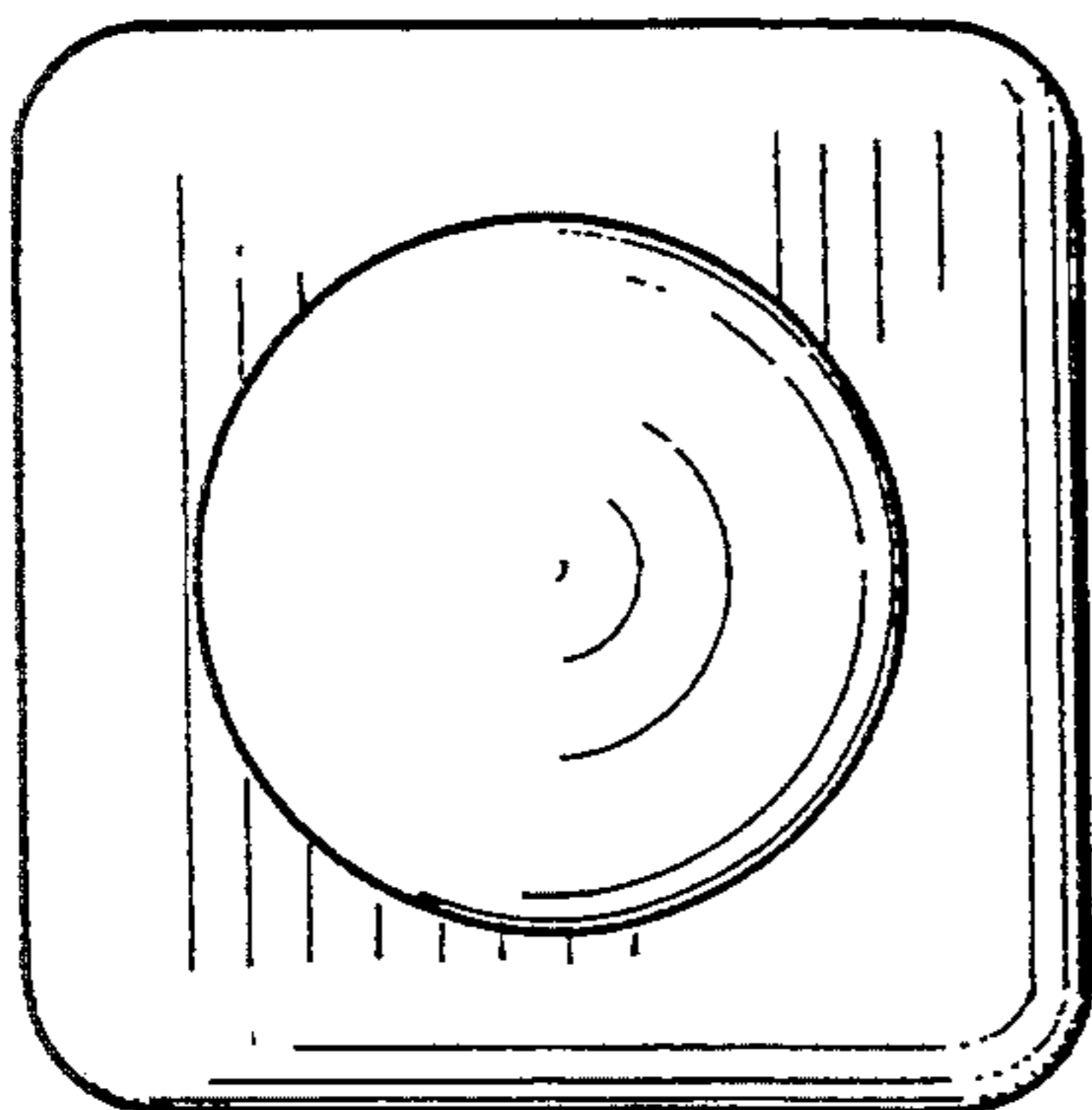


FIG. 5

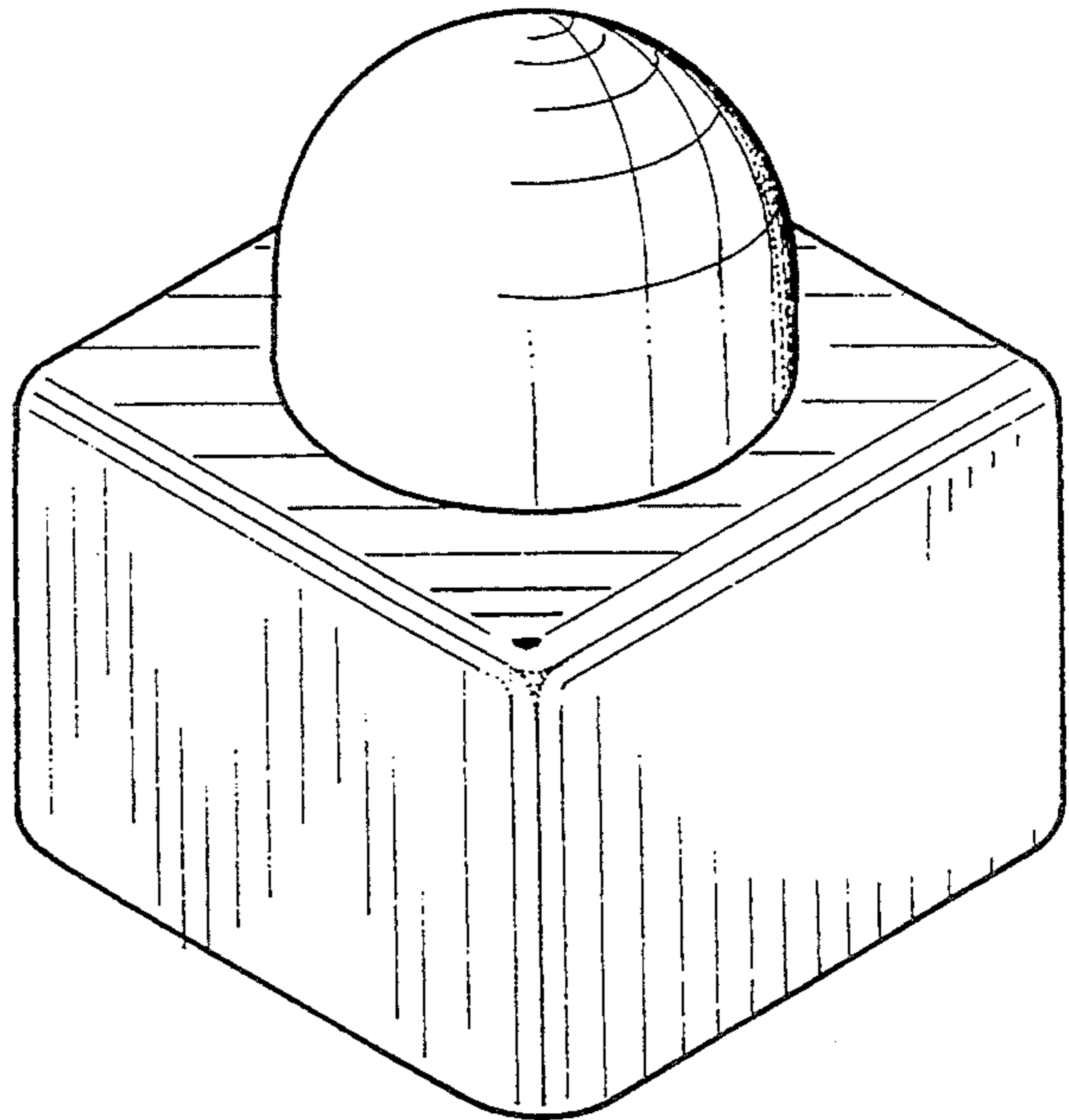


FIG. 1

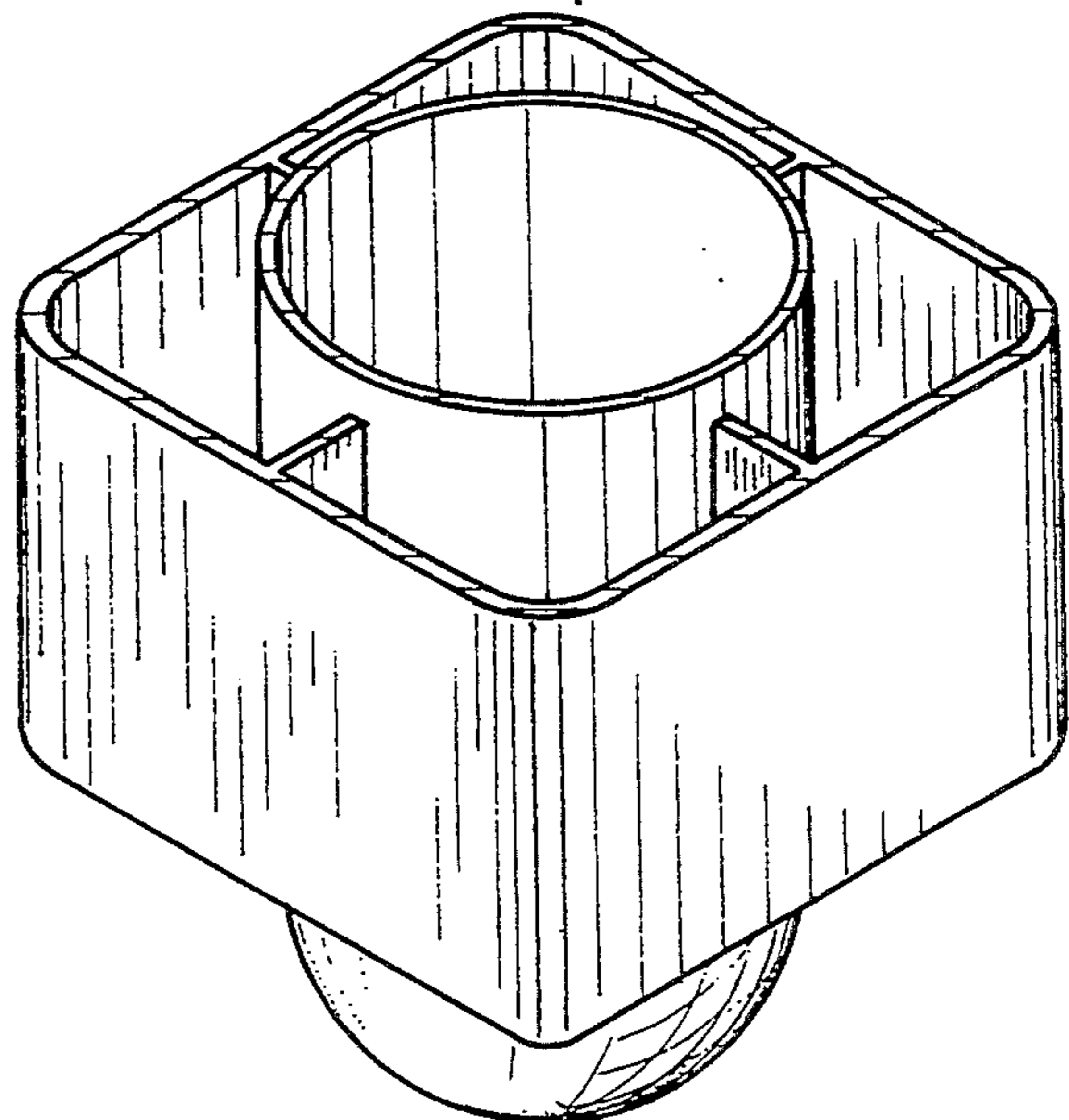


FIG. 2