



US00D360907S

# United States Patent [19]

[11] Patent Number: **Des. 360,907**

**Hatting et al.**

[45] Date of Patent: **\*\* Aug. 1, 1995**

- [54] **RACK FOR A TOY BUILDING SET**
- [75] Inventors: **Jan Hatting, Vejle; Claus I. Madsen, Randbol, both of Denmark**
- [73] Assignee: **Interlego AG, Baar, Switzerland**
- [\*\*] Term: **14 Years**
- [21] Appl. No.: **29,118**
- [22] Filed: **Sep. 29, 1994**
- [52] U.S. Cl. .... **D21/108**
- [58] Field of Search ..... **D21/108, 120; D20/40, D20/43; 446/26, 27, 69, 70, 75, 76, 103, 104, 107, 117, 121, 128; D6/407, 466, 495, 629; D19/75, 86, 90, 91**

- 2,132,757 10/1938 Paulson ..... D21/108
- 3,225,487 12/1965 Mallalieu ..... 446/121
- 5,304,086 4/1994 Bolli et al. .... 446/104

### OTHER PUBLICATIONS

Anchor Plastics Design Guide, 1960 #1.  
*Primary Examiner*—Terry A. Wallace  
*Assistant Examiner*—R. Barkai  
*Attorney, Agent, or Firm*—Kane, Dalsimer, Sullivan, Kurucz, Levy, Eisele and Richard

### [57] CLAIM

The ornamental design for a rack for a toy building set, as shown and described.

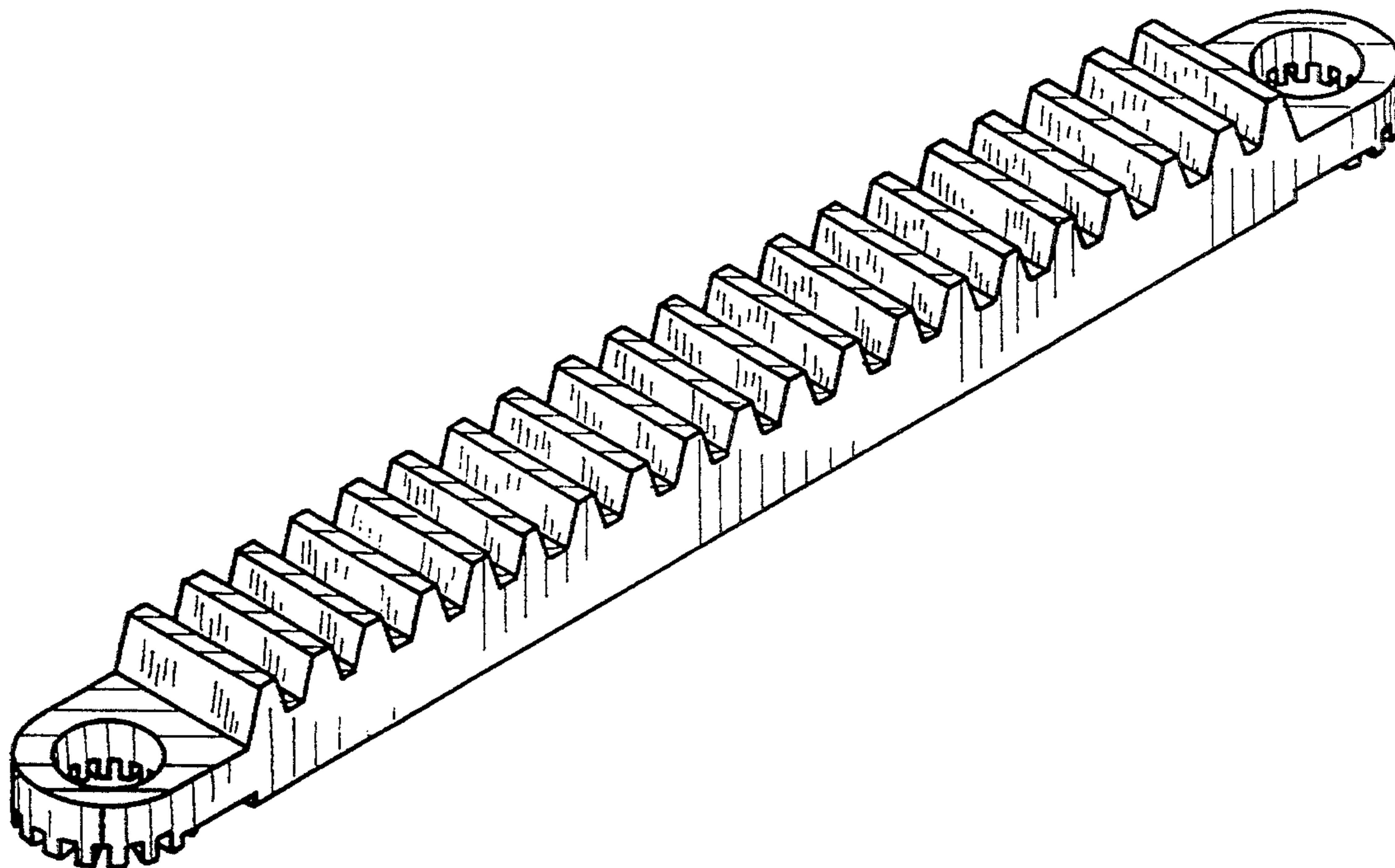
### DESCRIPTION

FIG. 1 is a top perspective view of the rack for a toy building set showing our new design;  
 FIG. 2 is a bottom perspective view thereof;  
 FIG. 3 is a front elevational view thereof, the rear side being identical;  
 FIG. 4 is a left side elevational view thereof, the right side being identical;  
 FIG. 5 is a bottom plan view thereof; and,  
 FIG. 6 is a top plan view thereof.

### [56] References Cited

#### U.S. PATENT DOCUMENTS

- D. 215,897 11/1969 Aydelotte ..... D19/90
- D. 220,257 3/1971 Schooler ..... D20/43
- D. 277,196 1/1985 Eason ..... D20/43
- D. 290,627 6/1987 Dideriksen ..... D21/108
- D. 304,353 10/1989 Moe ..... D21/108
- D. 309,524 7/1990 Egly et al. .... D6/629



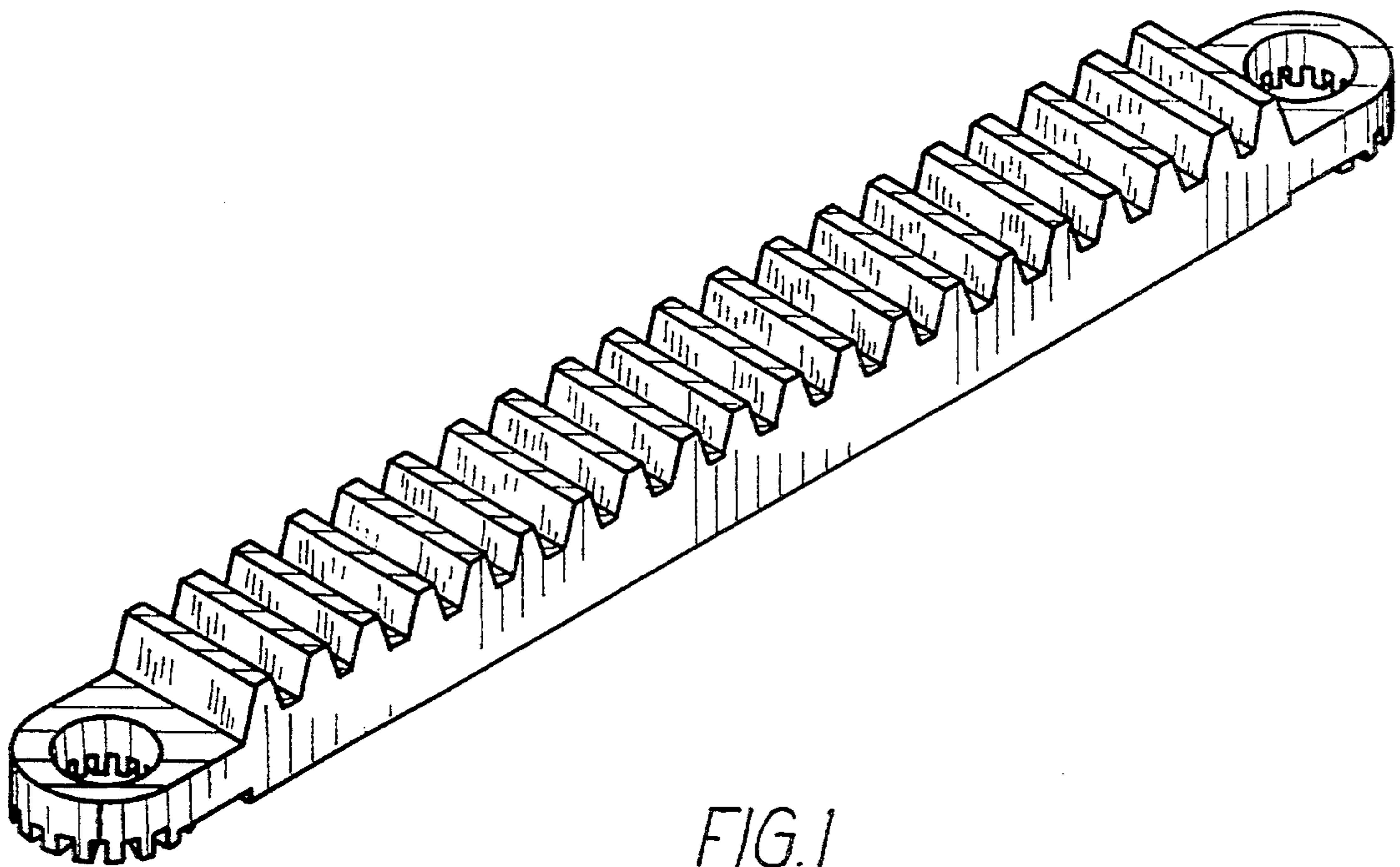


FIG. 1

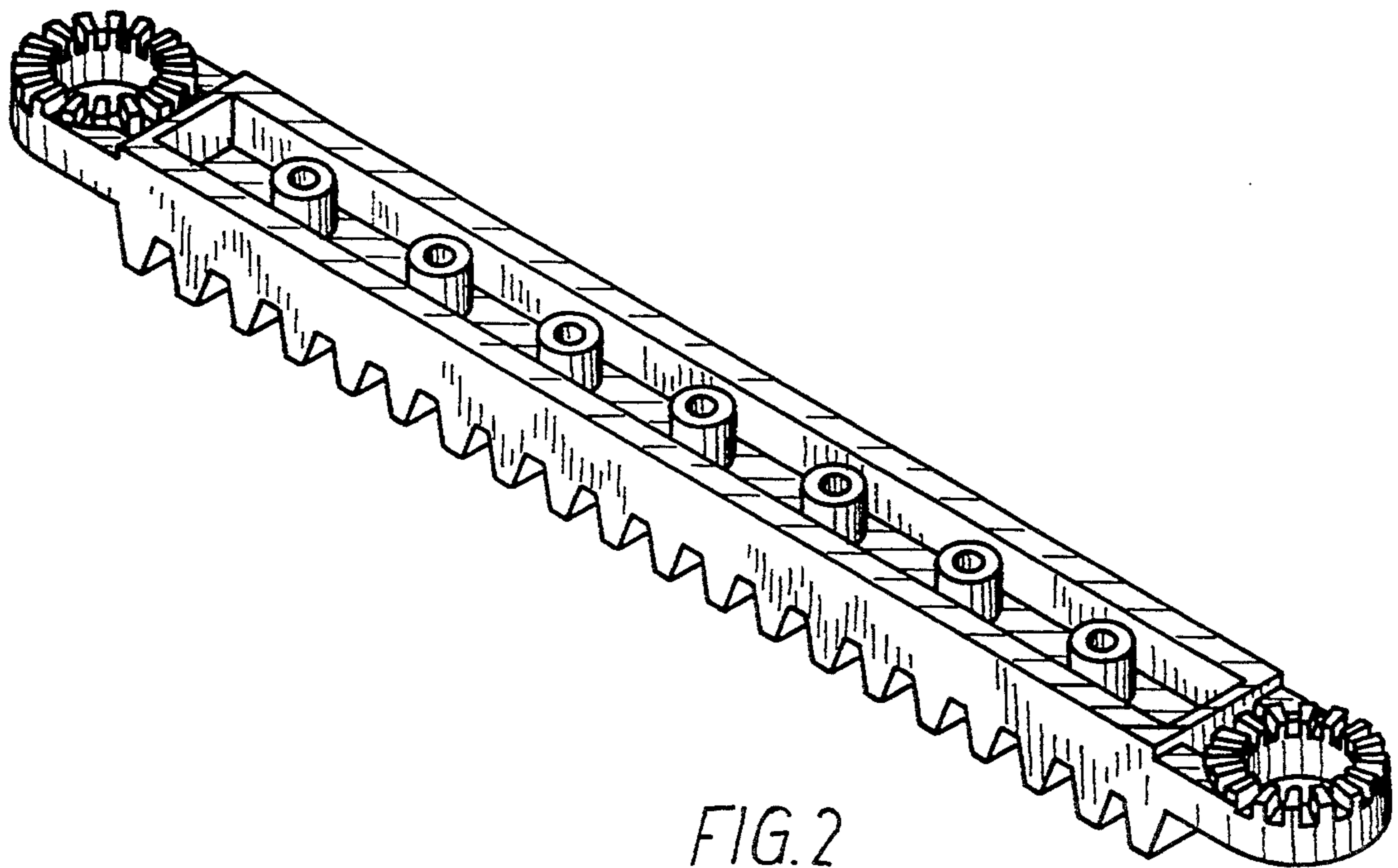


FIG. 2

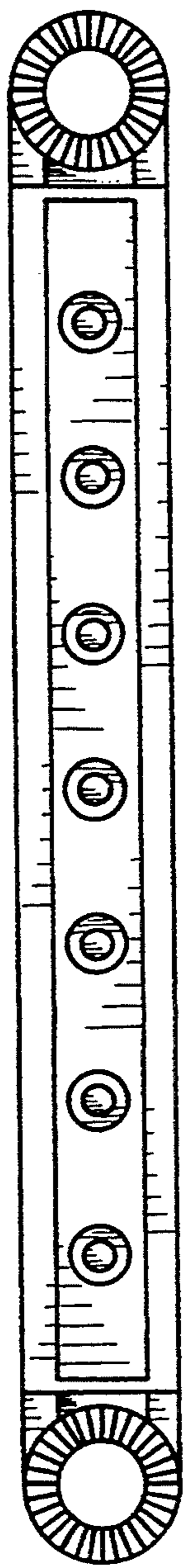


FIG. 5



FIG. 3

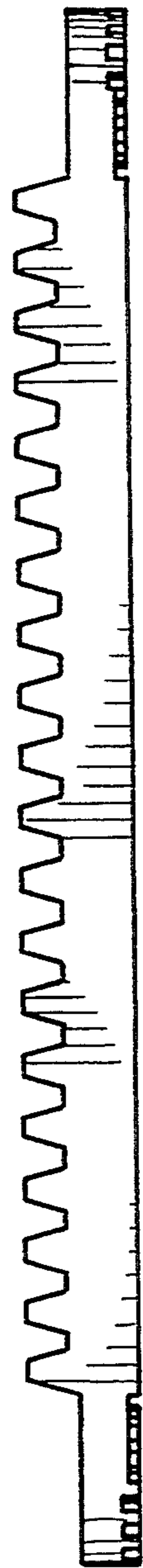


FIG. 4

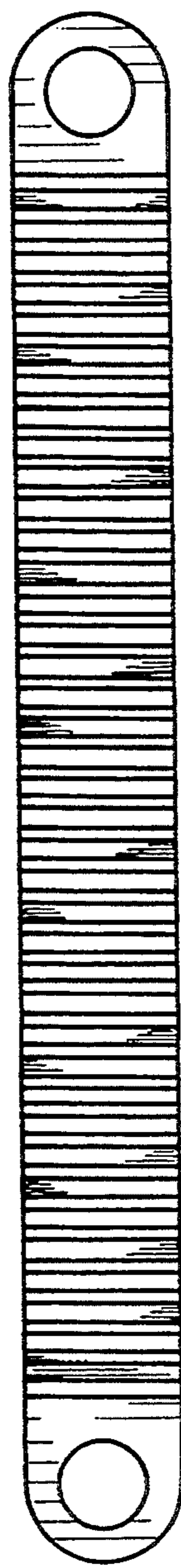


FIG. 6