



US00D360904S

United States Patent [19]
Schilling

[11] **Patent Number: Des. 360,904**
[45] **Date of Patent: ** Aug. 1, 1995**

[54] **TOY MUSICAL INSTRUMENT**
[76] **Inventor: Samuel D. Schilling, 8260 E. Vicksburg St., Tucson, Ariz. 85710-2946**
[**] **Term: 14 Years**
[21] **Appl. No.: 17,302**
[22] **Filed: Jan. 10, 1994**
[52] **U.S. Cl. D21/64; D17/10**
[58] **Field of Search D21/59, 64; D17/10; 446/397, 408; 84/384**

1,447,919 3/1923 Bartholomae 84/384
4,998,456 3/1991 Matti 84/384

Primary Examiner—Terry A. Wallace
Assistant Examiner—Dominic Simone
Attorney, Agent, or Firm—Malloy & Malloy

[57] **CLAIM**

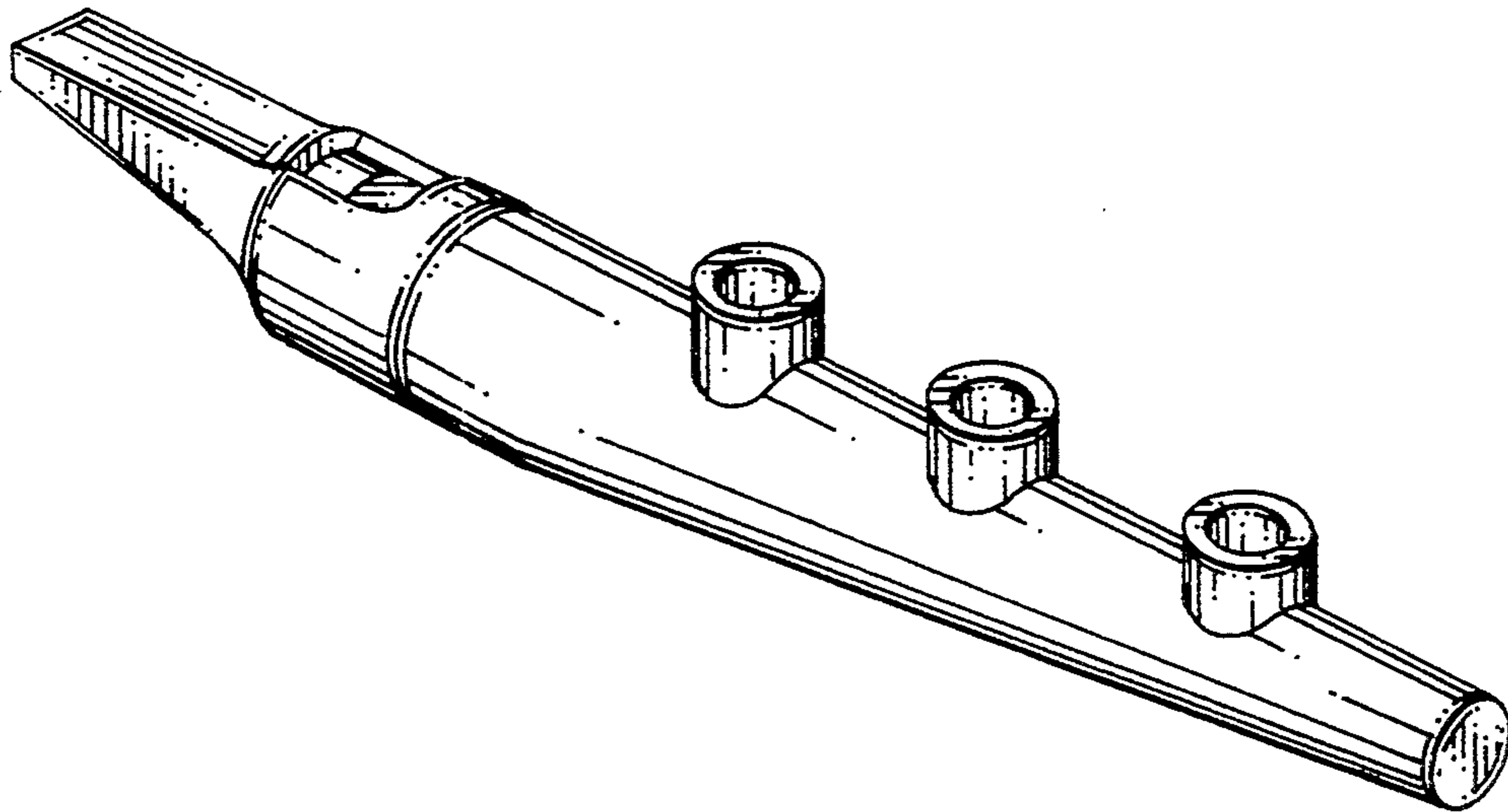
The ornamental design for a toy musical instrument, as shown and described.

DESCRIPTION

FIG. 1 is a top perspective view of a toy musical instrument showing my new design;
FIG. 2 is a top plan view thereof;
FIG. 3 is a side elevation view thereof;
FIG. 4 is a bottom plan view thereof;
FIG. 5 is a front elevational view thereof; and,
FIG. 6 is a rear elevational view thereof.

[56] **References Cited**
U.S. PATENT DOCUMENTS

D. 120,232 4/1940 Swanson D17/10
D. 169,321 4/1953 Kratt et al. D21/64
D. 218,545 8/1970 Frost D17/10



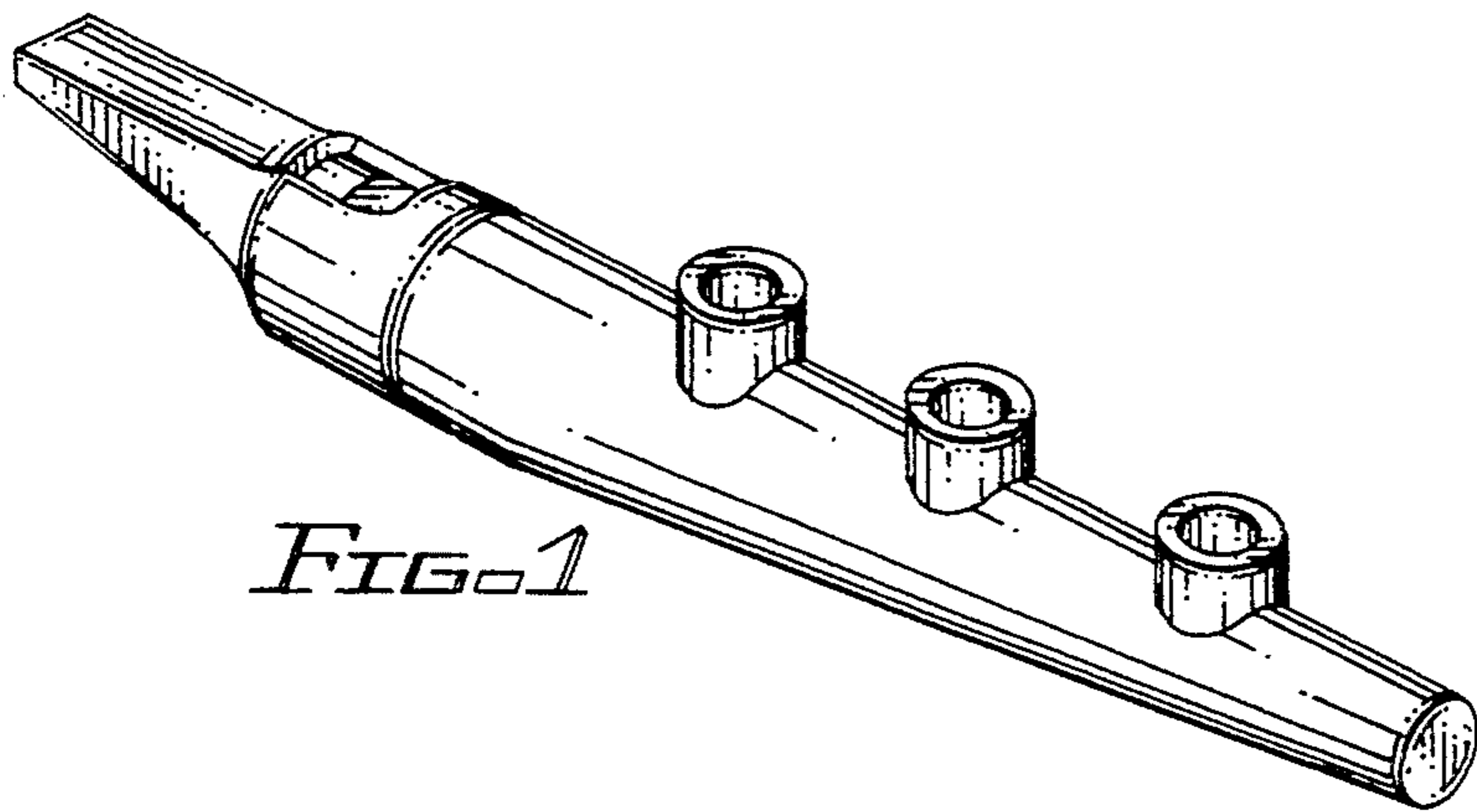


FIG. 1

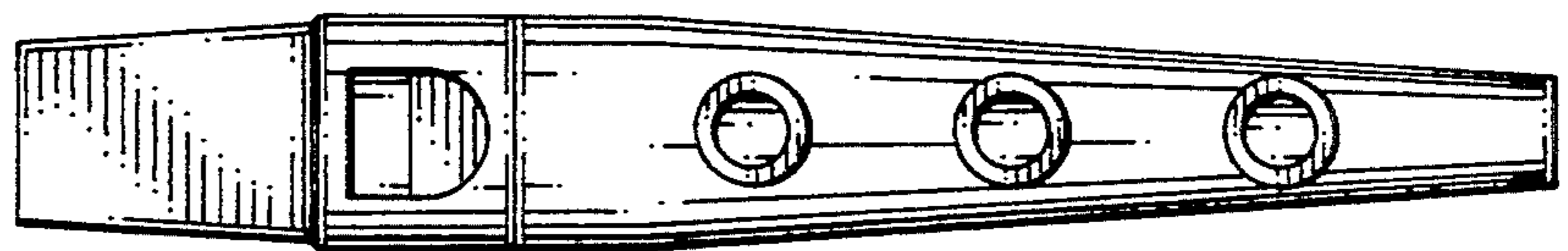


FIG. 2

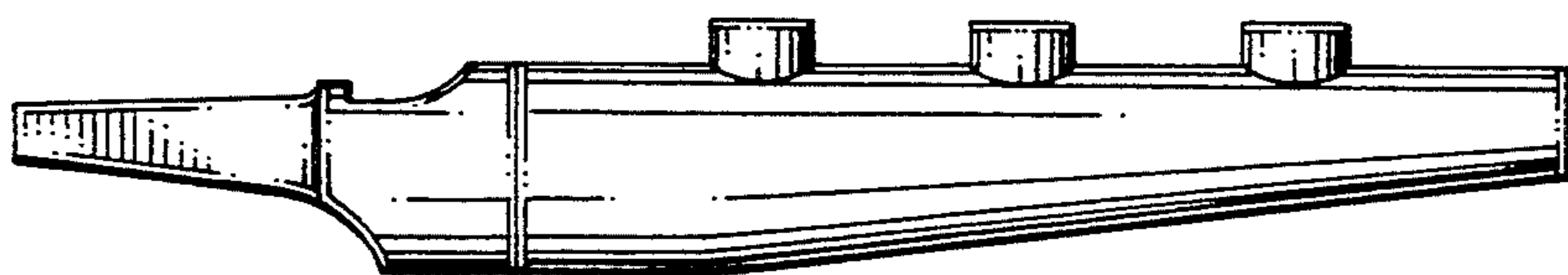


FIG. 3

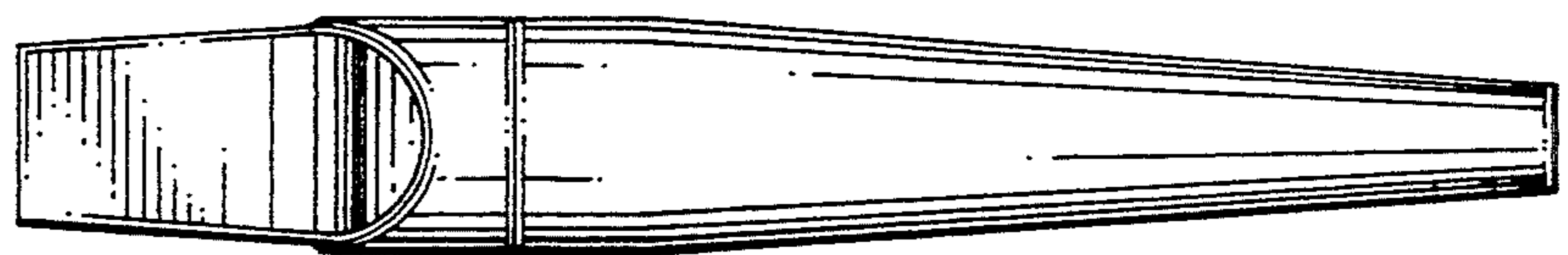


FIG. 4

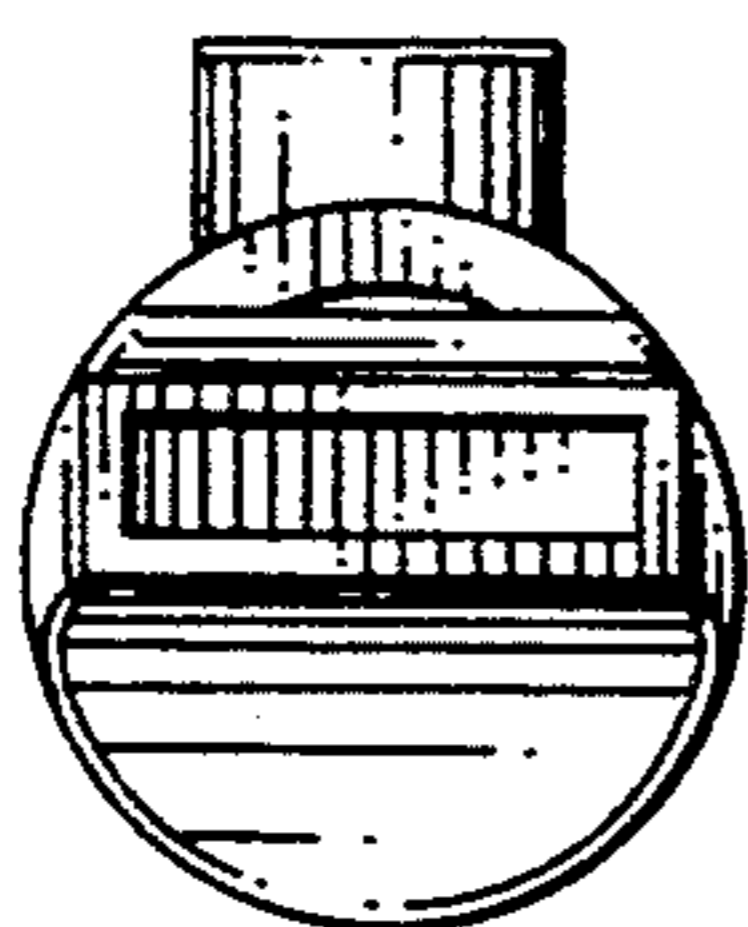


FIG. 5

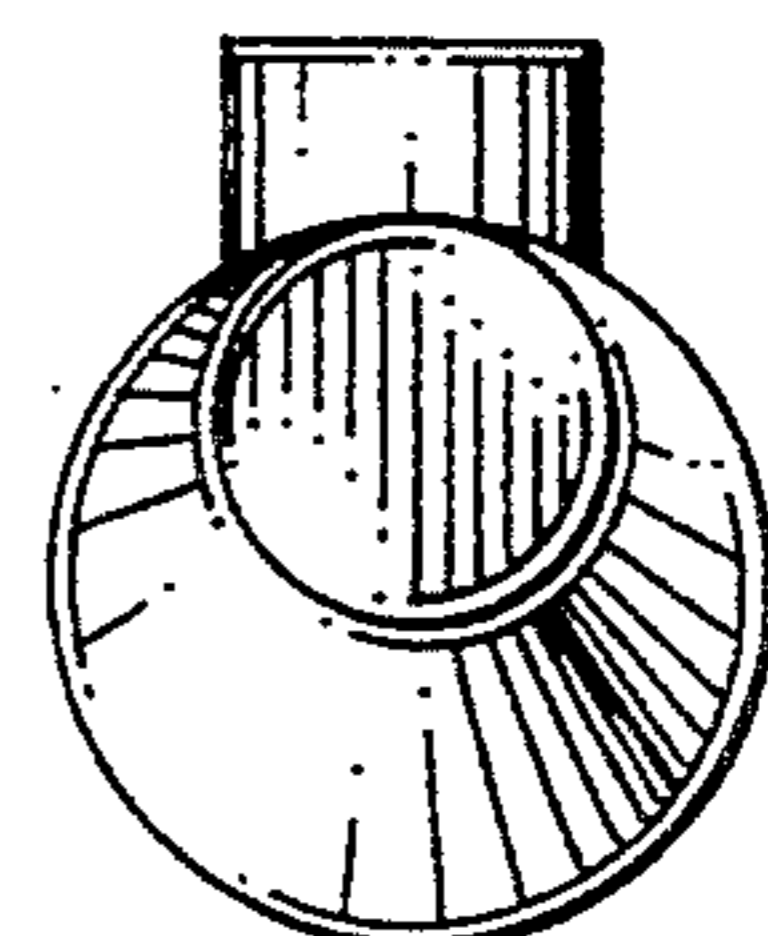


FIG. 6