



US00D360901S

United States Patent [19]

[11] Patent Number: **Des. 360,901**

Slater

[45] Date of Patent: **** Aug. 1, 1995**

[54] HOUSING FOR A VIDEO GAME CONSOLE

4,995,603 2/1991 Reed 472/60
5,299,810 4/1994 Pierce et al. 273/442 X

[75] Inventor: **Daniel Slater**, Hoffman Estates, Ill.

FOREIGN PATENT DOCUMENTS

[73] Assignee: **International Laser Productions, Inc.**,
Des Plaines, Ill.

5-88605 4/1993 Japan 434/69

[**] Term: **14 Years**

Primary Examiner—Terry A. Wallace
Assistant Examiner—C. Tuttle
Attorney, Agent, or Firm—Welsh & Katz, Ltd.

[21] Appl. No.: **10,116**

[22] Filed: **Jun. 28, 1993**

[52] U.S. Cl. **D21/13; D6/397;**
D21/48

[57] CLAIM

The ornamental design for a housing for a video game console, as shown and described.

[58] Field of Search D21/1-13,
D21/48, 71, 73, 74-78, 240-250; 273/85 G,
442, 444, DIG. 28; 434/29, 43, 45, 69, 71;
D6/421, 396, 397; 472/160, 61, 130

DESCRIPTION

FIG. 1 is a perspective view of the housing for a video game console of my new design;
FIG. 2 is a left side elevational view thereof the side opposite being a mirror image of the side shown;
FIG. 3 is a front view thereof;
FIG. 4 is a rear view thereof;
FIG. 5 is a top plan view thereof; and,
FIG. 6 is a bottom end plan view thereof.
The broken line showing of a console in FIGS. 1 and 5 is for purposes of showing the environment and forms no part of the claimed design.
The partially disclosed interior surface is unornamented and follows the contours of the exterior surface shown.

[56] References Cited

U.S. PATENT DOCUMENTS

D. 113,338	2/1939	Towns	D21/78
D. 171,261	1/1954	Koci	D21/5
D. 287,032	12/1986	Funai	D21/13
D. 329,150	9/1992	Ball	D6/338
3,193,946	7/1965	Patuano	434/63
3,488,861	1/1970	Jones et al.	434/69
4,477,089	10/1984	Crudgington, Jr.	472/60
4,960,117	10/1990	Montcrief et al.	273/856 X

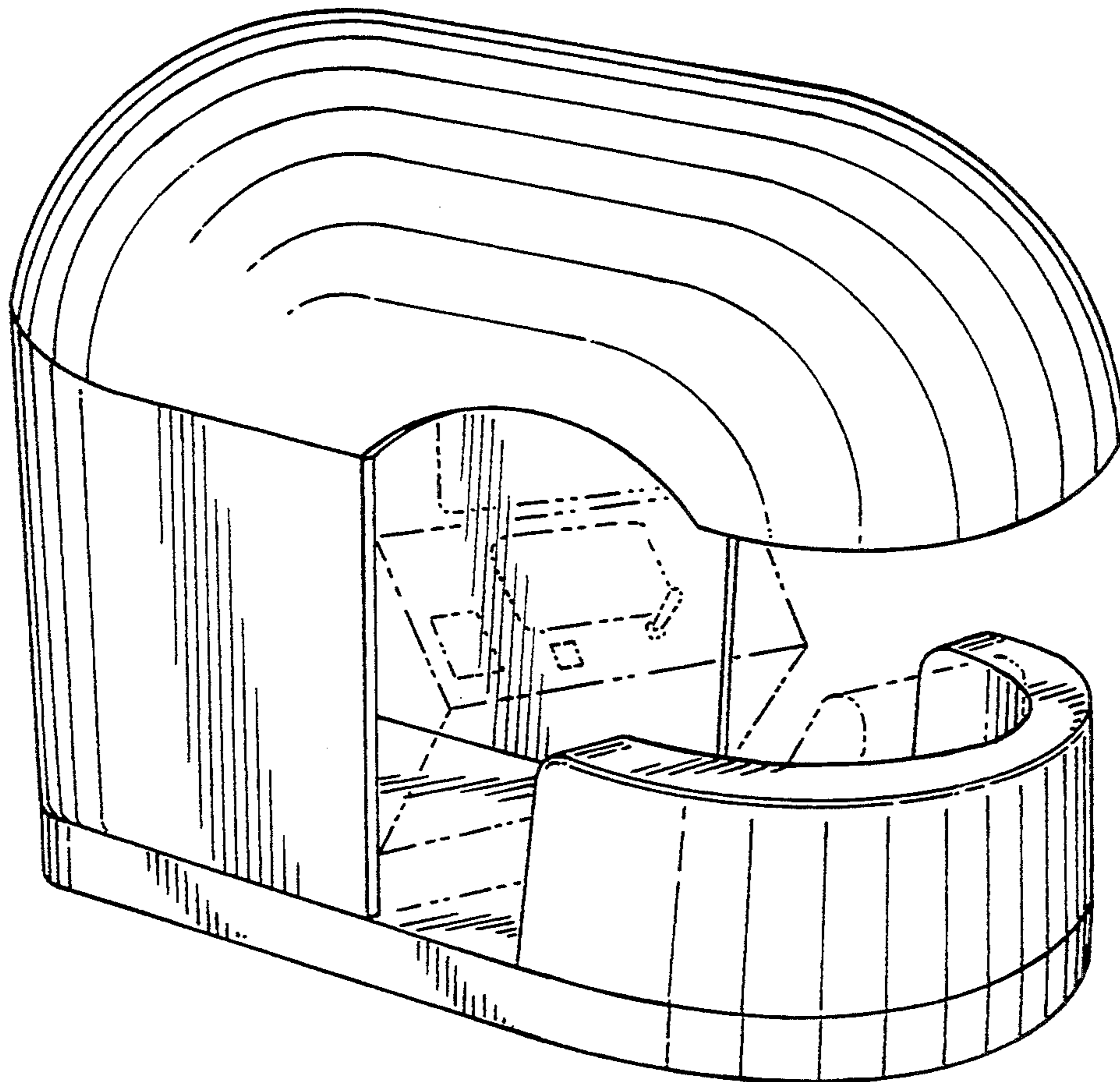


FIG. 1

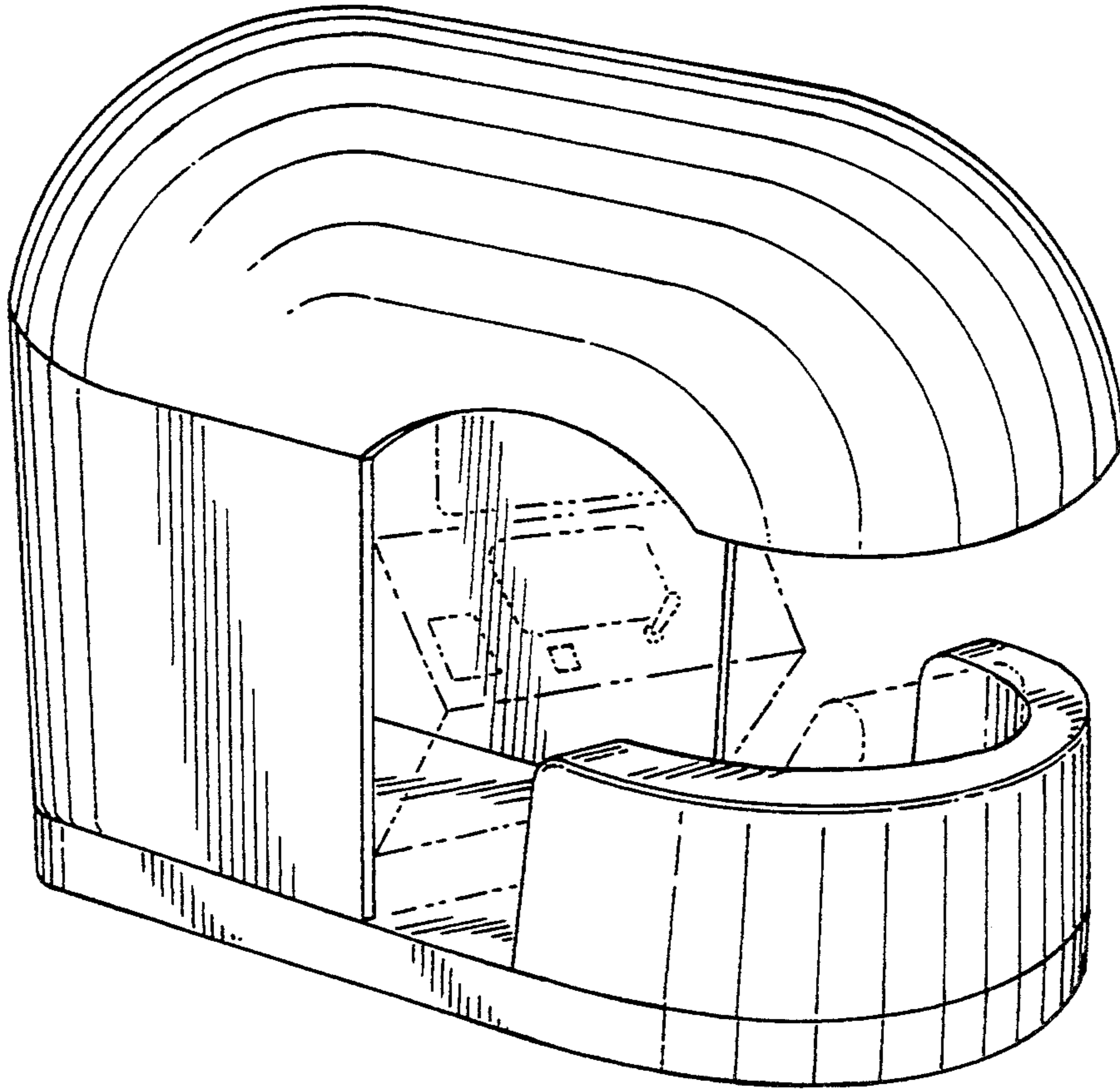


FIG. 2

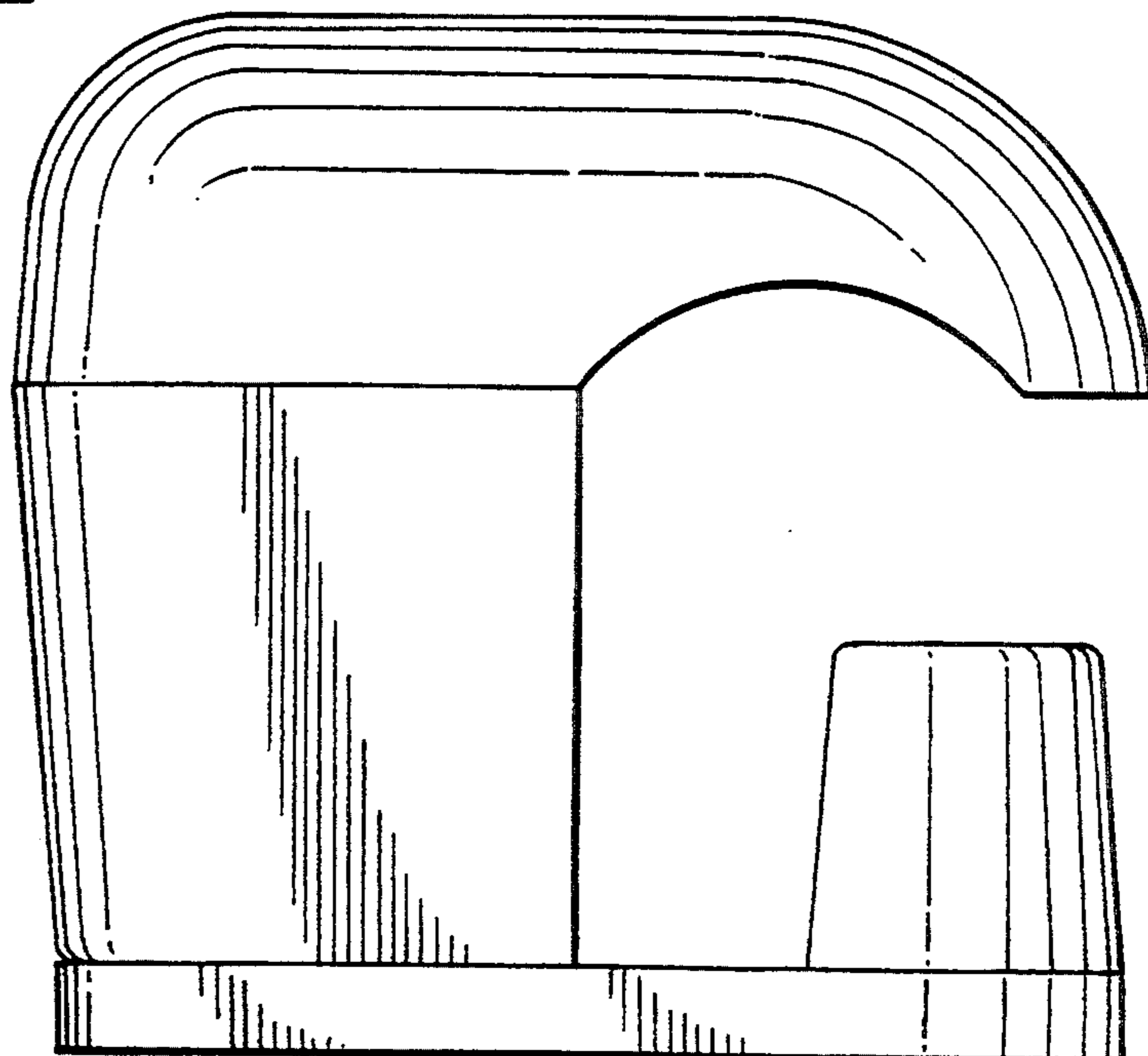


FIG. 3

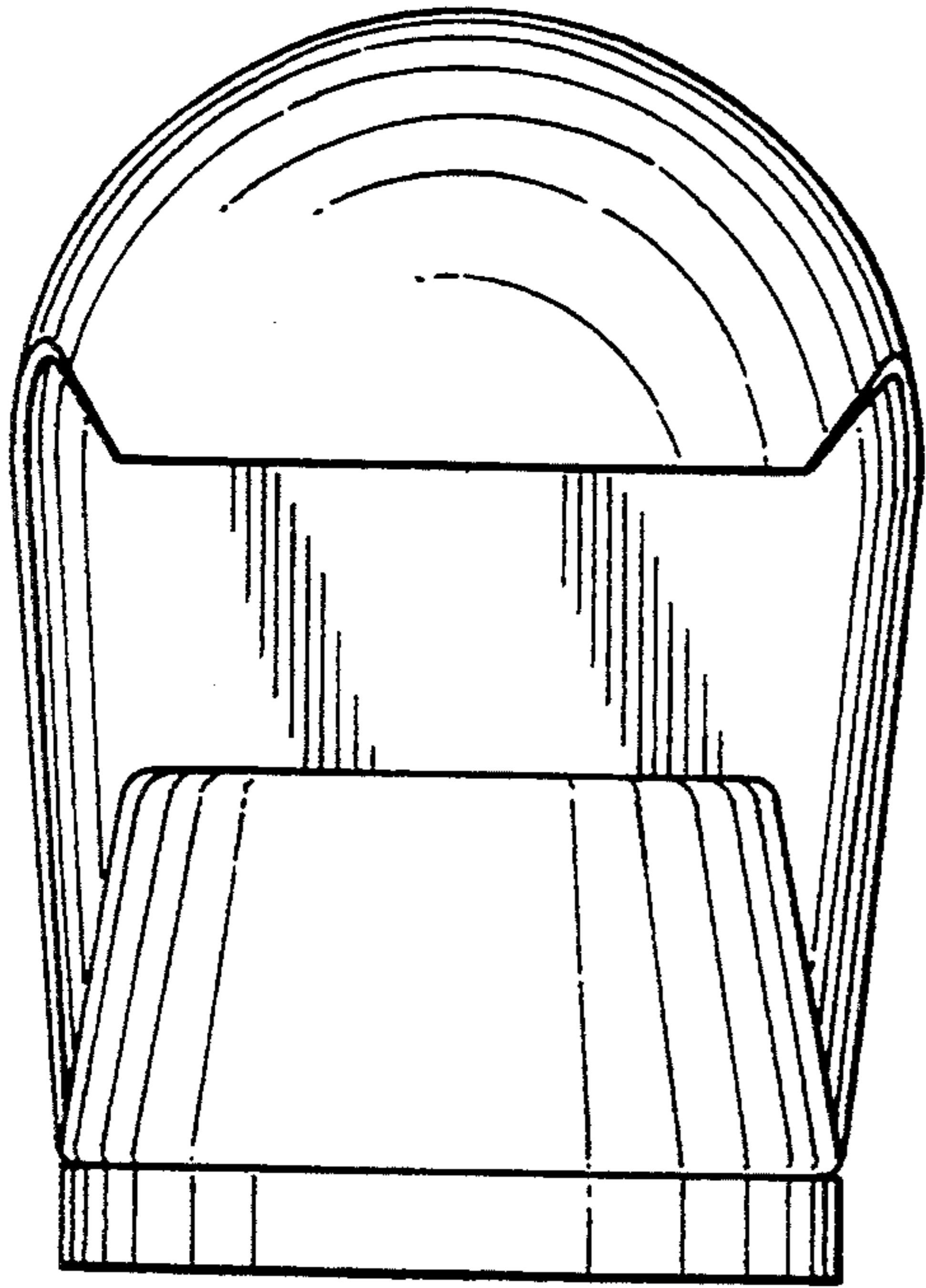


FIG. 4

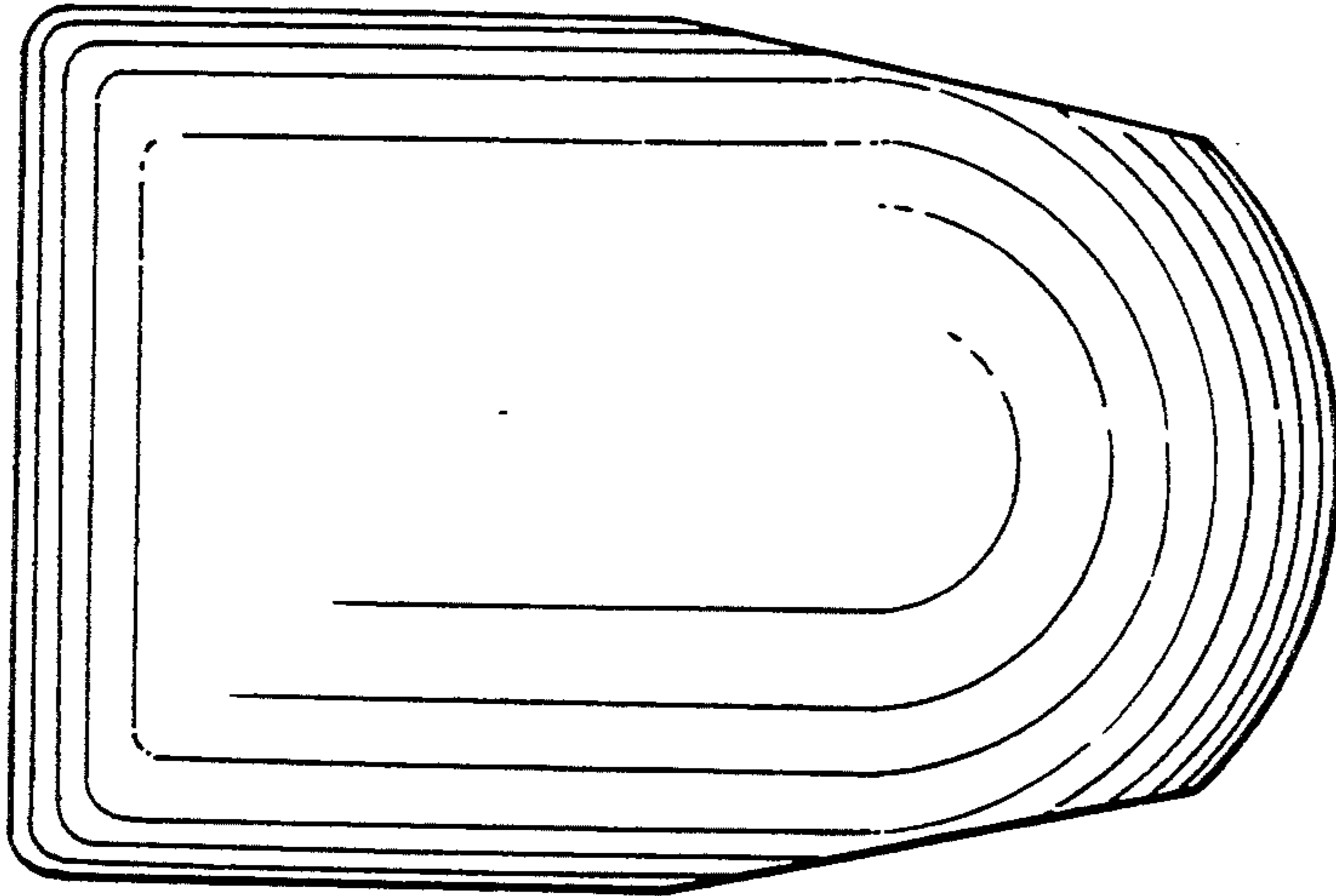
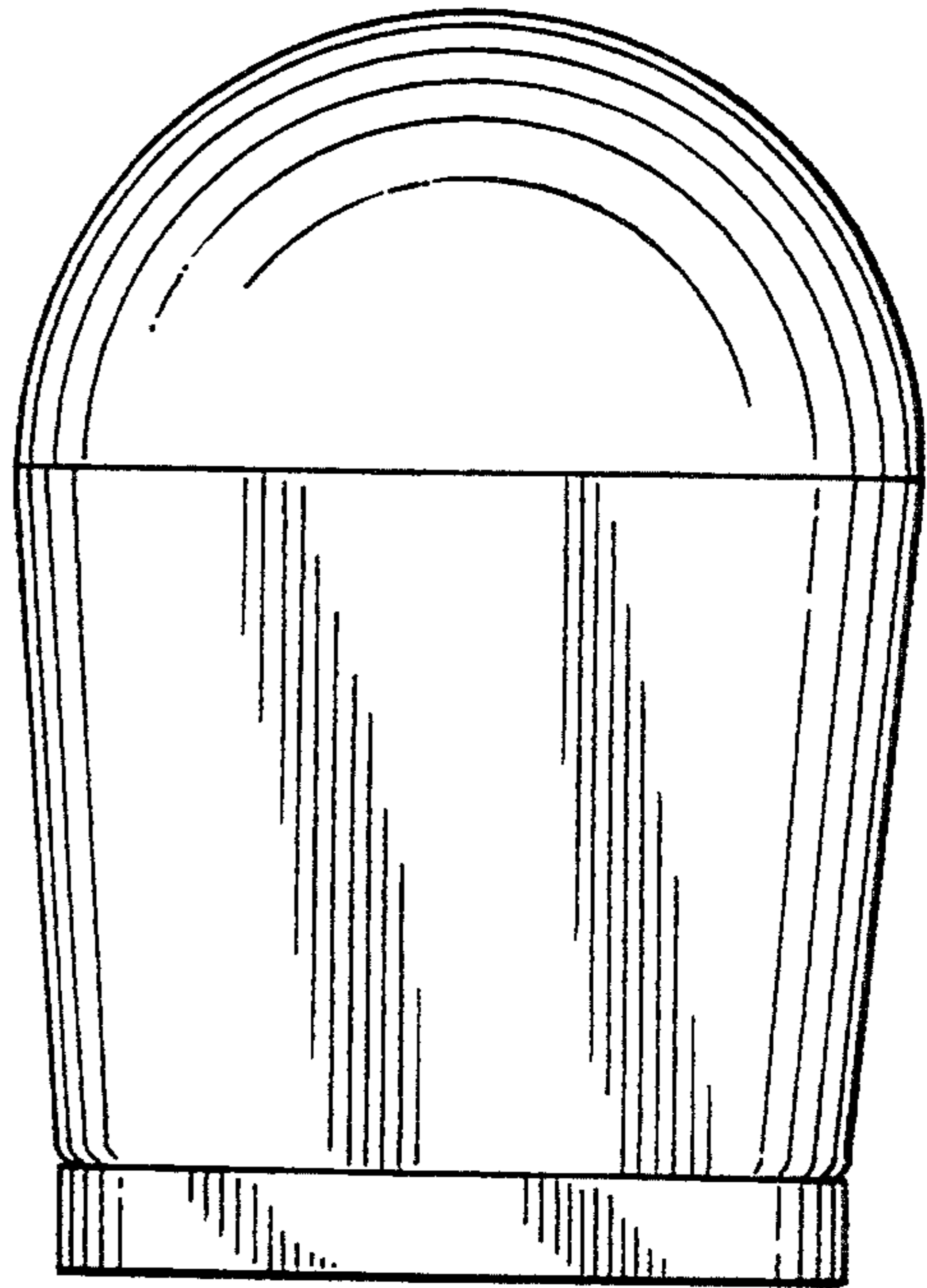


FIG. 5

FIG. 6

