



US00D360900S

United States Patent [19]
Lankiewicz

[11] **Patent Number: Des. 360,900**

[45] **Date of Patent: ** Aug. 1, 1995**

[54] **COIN OPERATED AMUSEMENT MACHINE**

[75] **Inventor: Jeffery R. Lankiewicz, Toms River, N.J.**

[73] **Assignee: Coin Concepts, Inc., East Brunswick, N.J.**

[**] **Term: 14 Years**

[21] **Appl. No.: 24,806**

[22] **Filed: Jun. 21, 1994**

[52] **U.S. Cl. D21/10**

[58] **Field of Search D21/7-11,
D21/13, 1; 273/121 R, 121 A, 119 A, 129 A,
108, 118 R, 118 A**

[56] **References Cited**

U.S. PATENT DOCUMENTS

D. 95,697	5/1935	McClellan	D21/10
D. 143,236	12/1945	Nelson	D21/10 X
D. 337,790	7/1993	Gottlieb et al.	D21/10
4,239,219	12/1980	Haefliger	273/121 A
4,247,109	1/1981	Horan et al.	273/121 A
4,293,131	10/1981	Fellman et al.	273/121 A

OTHER PUBLICATIONS

Playthings, Feb.-1980, p. 102, bottom right.
Vending Times, Jun. 1979, p. 69.

Primary Examiner—Prabhakar G. Deshmukh
Attorney, Agent, or Firm—Lerner, David, Littenberg,
Krumholz & Mentlik

[57] **CLAIM**

The ornamental design for a coin operated amusement machine, as shown and described.

DESCRIPTION

FIG. 1 is a front perspective view looking from above of a coin operated amusement machine showing my new design;

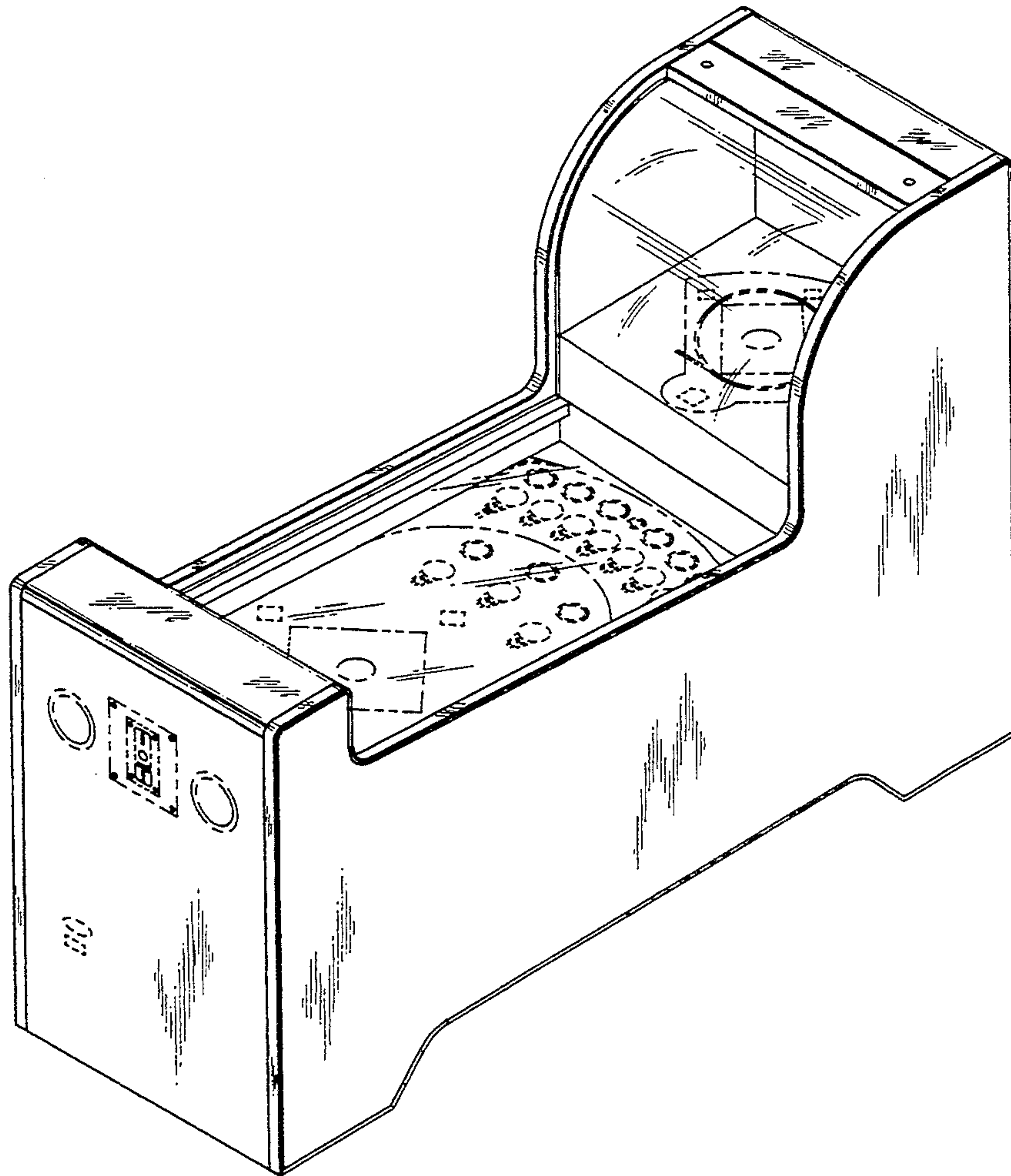
FIG. 2 is a front view thereof;

FIG. 3 is a side view thereof, the opposite side view being identical thereto;

FIG. 4 is a back view thereof; and,

FIG. 5 is a top view thereof.

The broken line showing of various elements is for illustrative purpose only and forms no part of the claim.



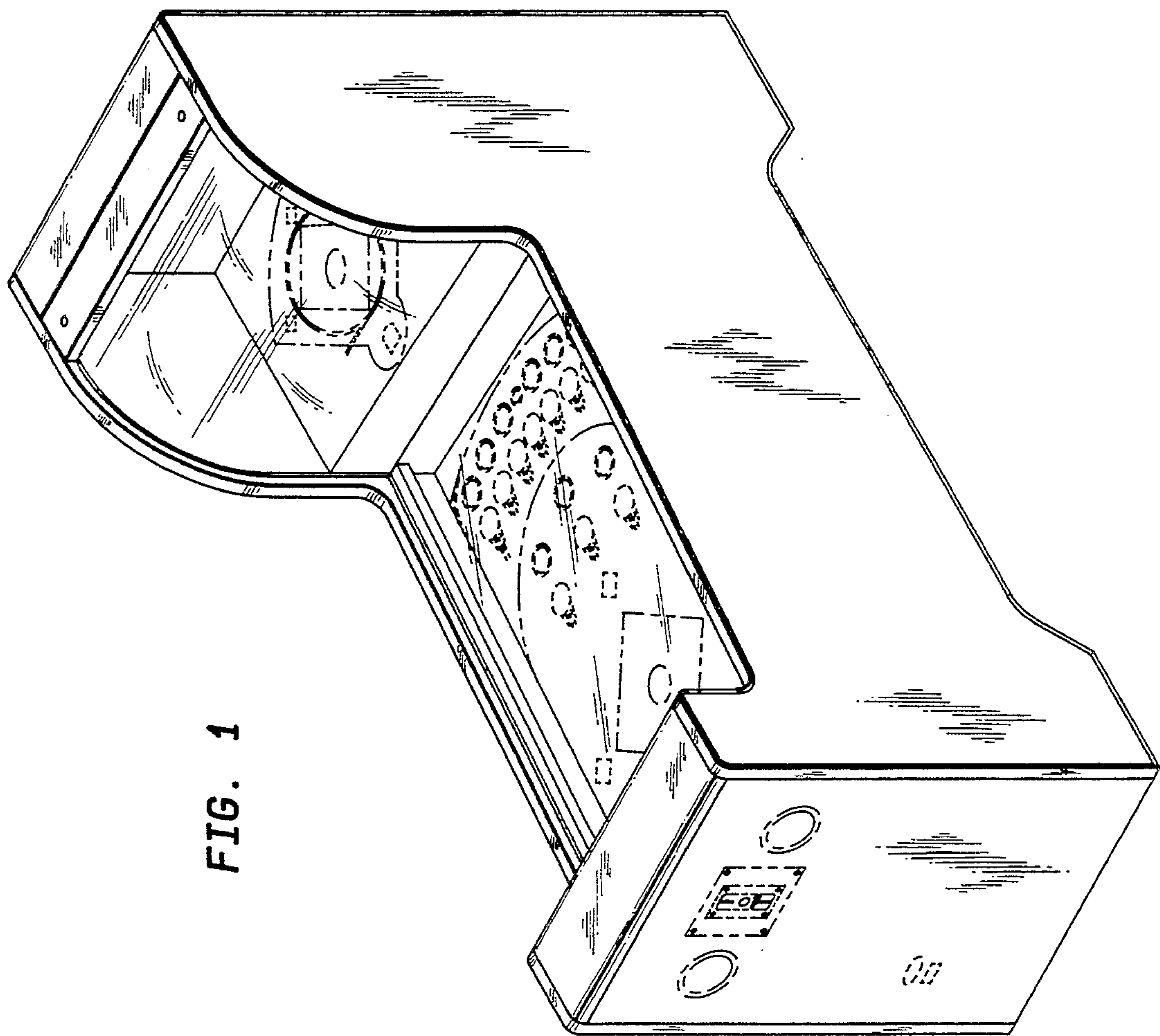


FIG. 1

FIG. 3

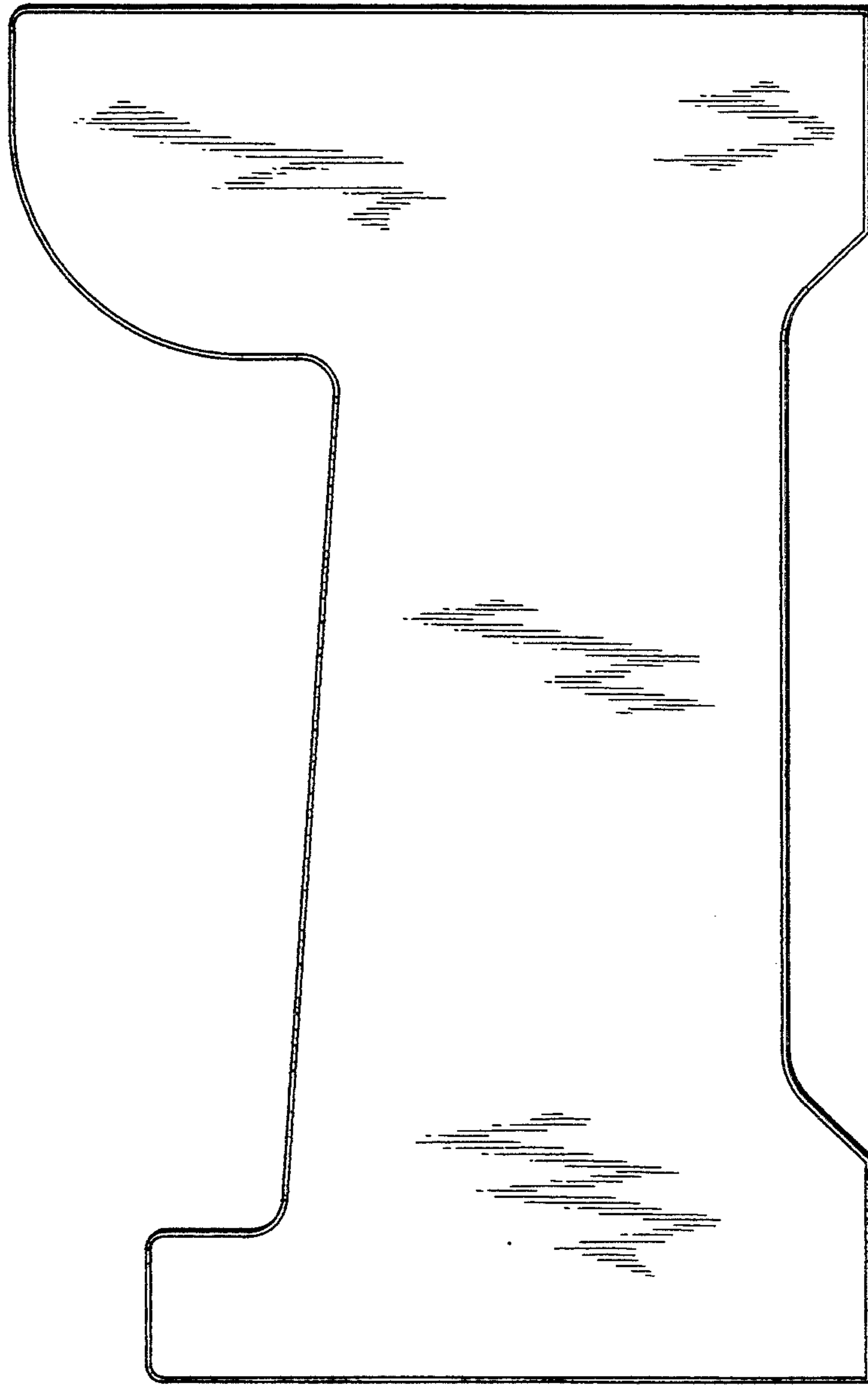
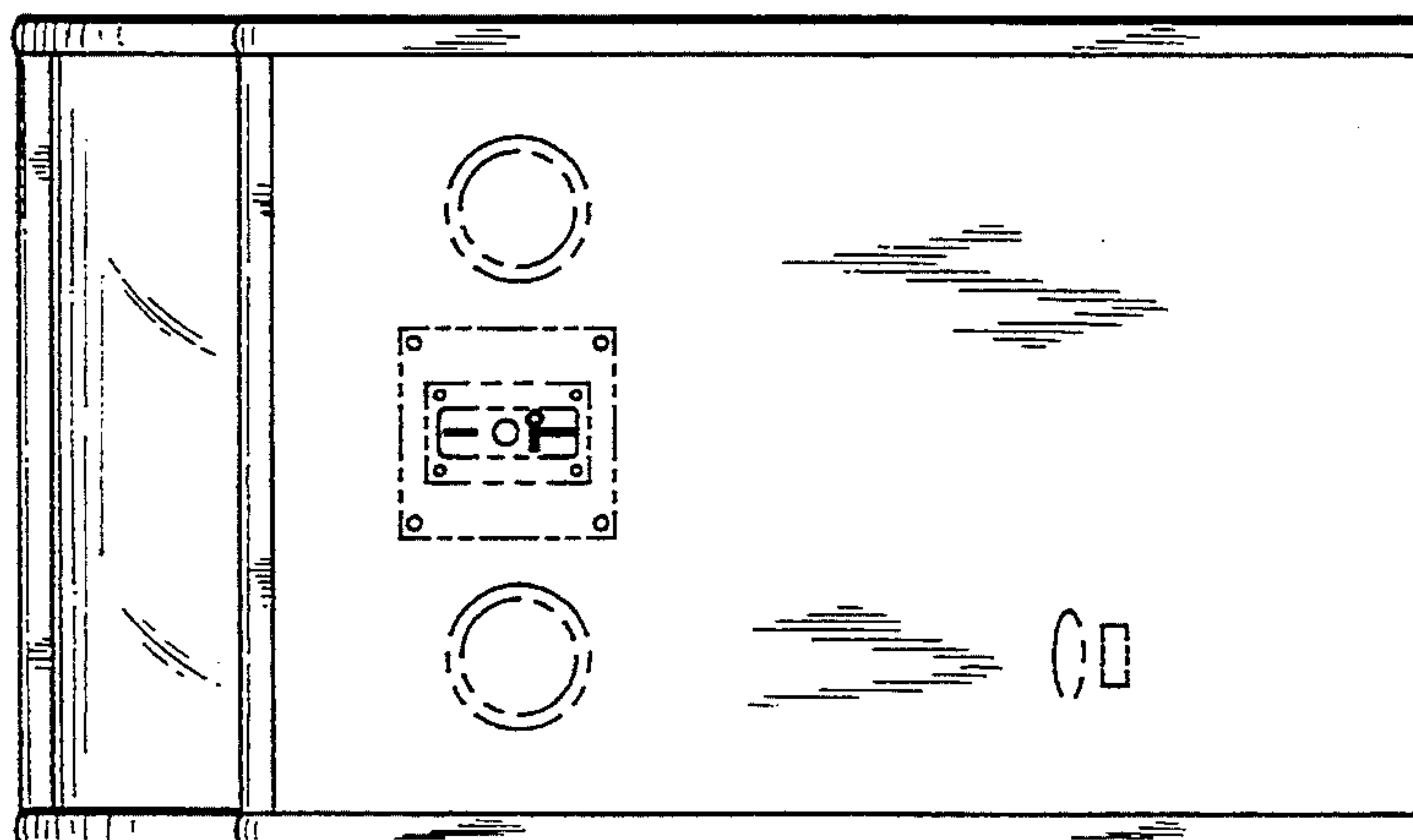


FIG. 2



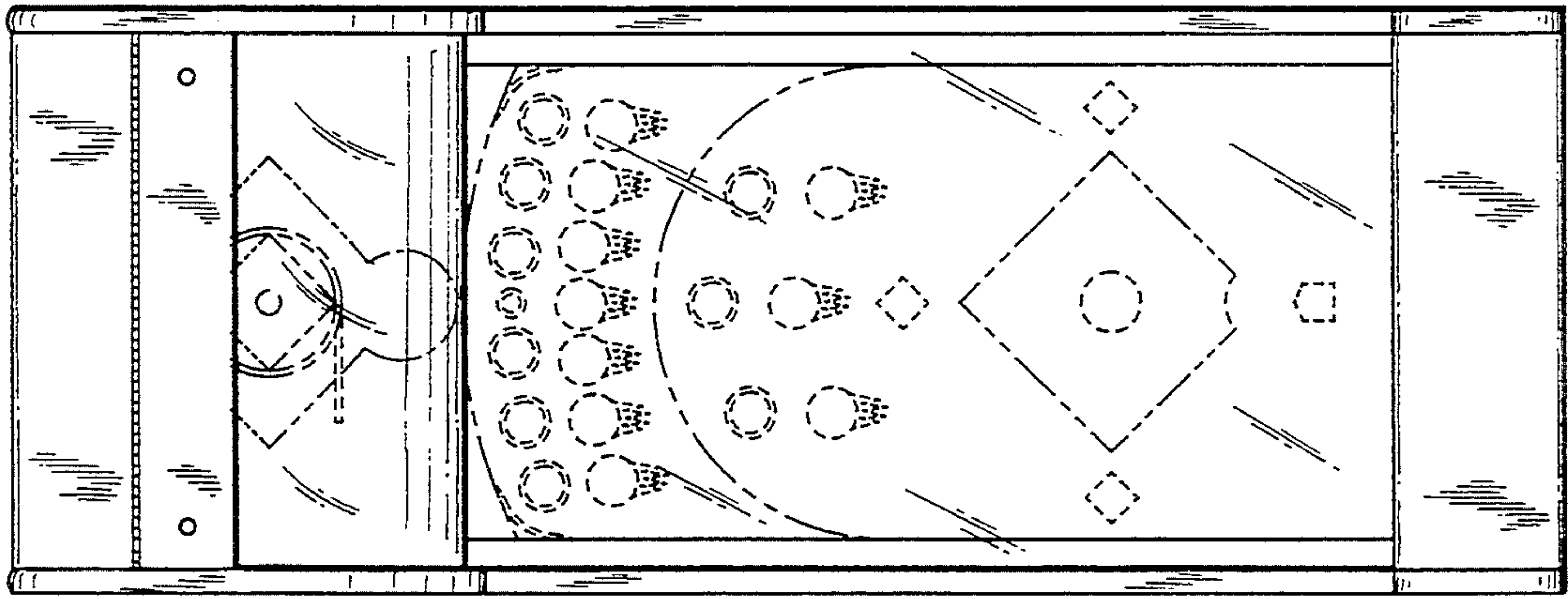


FIG. 5



FIG. 4