



US00D360898S

# United States Patent [19]

[11] Patent Number: **Des. 360,898**

Huerto et al.

[45] Date of Patent: **\*\* Aug. 1, 1995**

## [54] FILE STORAGE CONTAINER

[75] Inventors: **Robert R. Huerto**, Farragut, Tenn.;  
**Jerry L. Sharber**, Cypress, Calif.

[73] Assignee: **Rubbermaid Office Products Inc.**,  
Maryville, Tenn.

[\*\*] Term: **14 Years**

[21] Appl. No.: **16,098**

[22] Filed: **Dec. 7, 1993**

[52] U.S. Cl. .... **D19/90; D3/304;**  
**D19/75; D19/91**

[58] Field of Search ..... **D7/629; D3/304; D9/424,**  
**D9/425, 432; D32/53; D19/65, 35, 36, 75, 76,**  
**86, 90, 91, 92, 95, 99, 100; 312/184; 211/70.6,**  
**10, 11, 13, 50, 126; 206/425, 389, 444**

## [56] References Cited

### U.S. PATENT DOCUMENTS

D. 184,593	3/1959	Anderson et al. ....	D19/92 X
D. 238,051	12/1975	Fier .....	D9/425
D. 238,148	12/1975	Dilot .....	D7/629
D. 246,872	1/1978	White .....	D3/304
D. 268,622	4/1983	Wolters et al. ....	D19/92 X
D. 280,216	8/1985	Boklund .....	D19/52
D. 302,774	8/1989	Murphy .....	D9/425 X
D. 308,340	6/1990	Ilsen et al. ....	D9/425
D. 326,345	5/1992	Mandell et al. ....	D32/53 X
D. 328,425	8/1992	Brightbill .....	D9/425
D. 339,436	9/1993	Craft et al. ....	D32/53
3,170,594	2/1965	Nascher .....	D3/304 X
3,714,341	5/1973	Levenhagen .....	211/126 X
4,717,215	1/1988	Everts .....	312/184
5,004,103	4/1991	Connors et al. ....	211/70.6 X

## OTHER PUBLICATIONS

Pp. M295 and M297, Portable files; Boise Cascade Catalog, address unknown. Publication date 1991.

Pp. 193 and 195, Tote files; S. P. Richards, address unknown. Publication date 1991.

Price List, Portable files; Trav-L-File, Inc., 8855 Cypress Woods Drive, Olive Branch, Miss. 38654. Publication date May 15, 1992.

Sell sheet, Portable files; Newell Office Products Group, 2514 Fish Hatchery Road, Madison, Wis. 53713-2407. Publication date Jan., 1993.

P. 20, Tote storage file; Esselte Pendaflex Corporation, Clinton Road, Garden City, N.Y. 11530. Publication date 1991.

P. 7, Plastic storage containers; Tamor, P.O. Box 1186, Leominster, Mass. 01453. Publication date 1989.

Pp. 8, 11 and 12, Storage containers; Rubbermaid Commercial Products Inc., 3124 Valley Avenue, Winchester, Va. 22601. Publication date 1992.

Pp. 2, 7 and 28, Storage containers; Rubbermaid Incorporated, 1147 Akron Road, Wooster, Ohio 44691.

*Primary Examiner*—Martie Thompson

*Attorney, Agent, or Firm*—Richard B. O'Planick; Lisa B. Riedesel

## [57] CLAIM

The ornamental design for a file storage container, as shown and described.

## DESCRIPTION

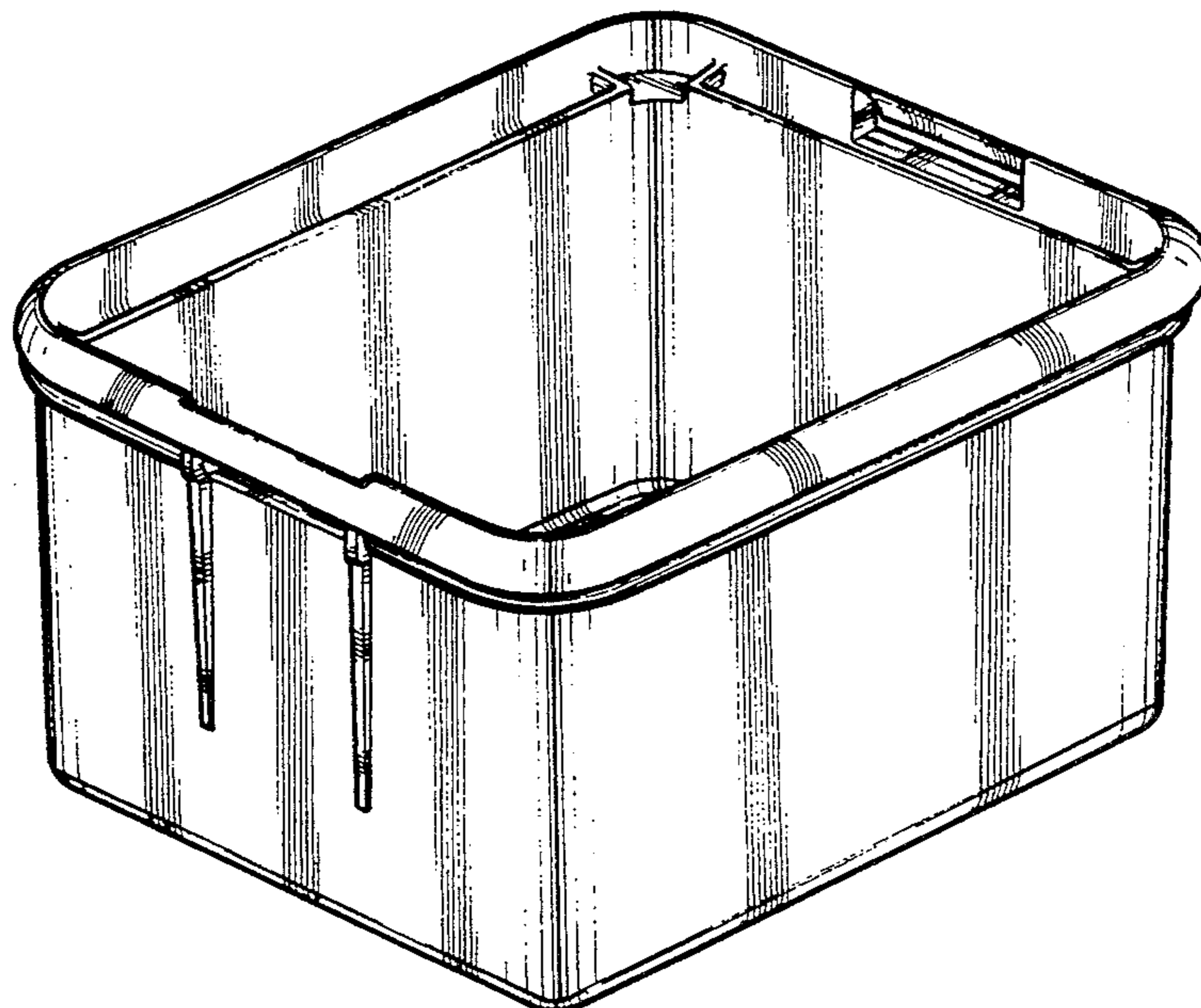
FIG. 1 is a top left front perspective view of a file storage container showing our new design;

FIG. 2 is a top plan view thereof;

FIG. 3 is a bottom plan view thereof;

FIG. 4 is a front elevational view thereof; the rear elevational view being a mirror image; and,

FIG. 5 is a right side elevational view thereof; the left side elevational view being a mirror image.



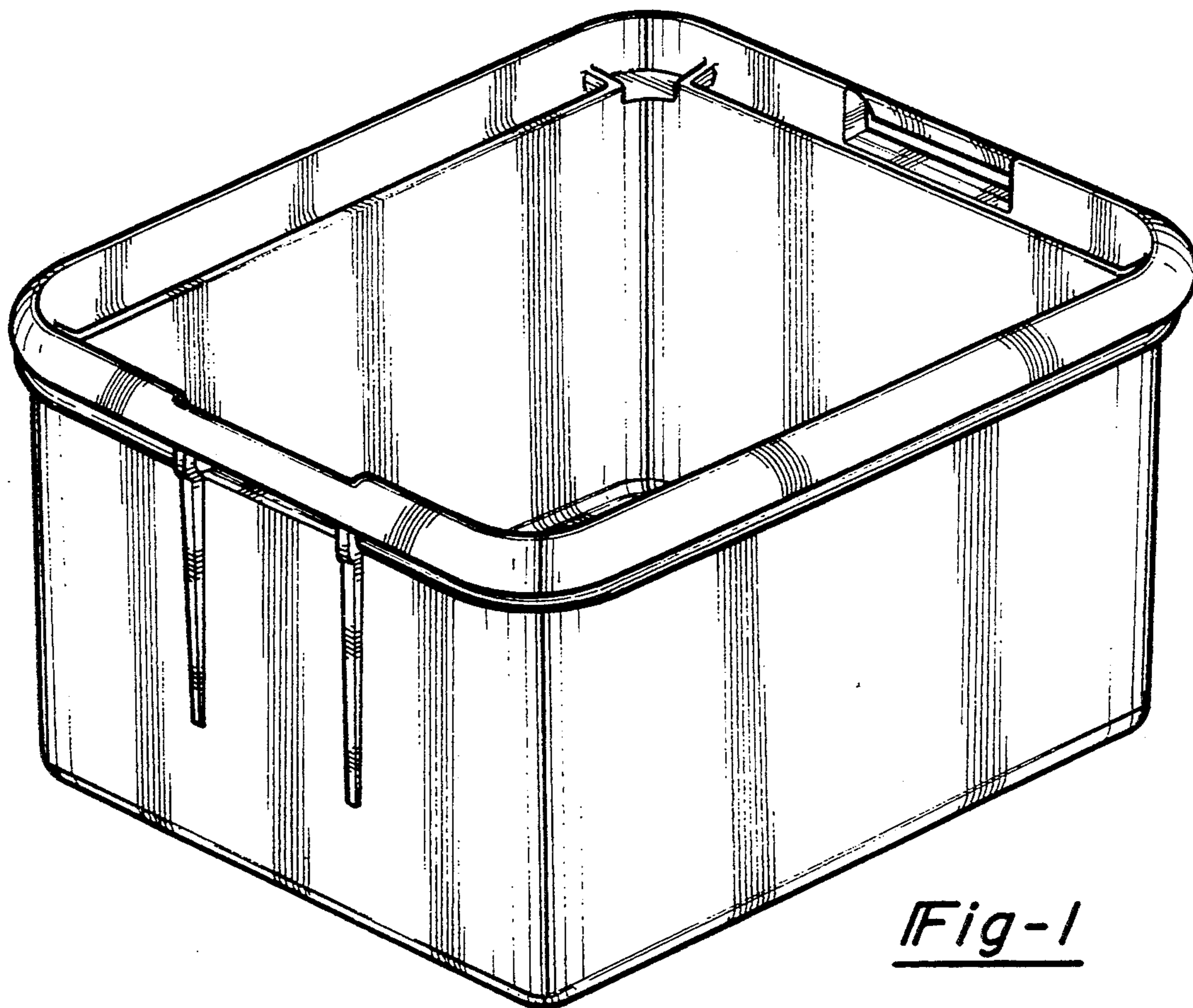


Fig-1

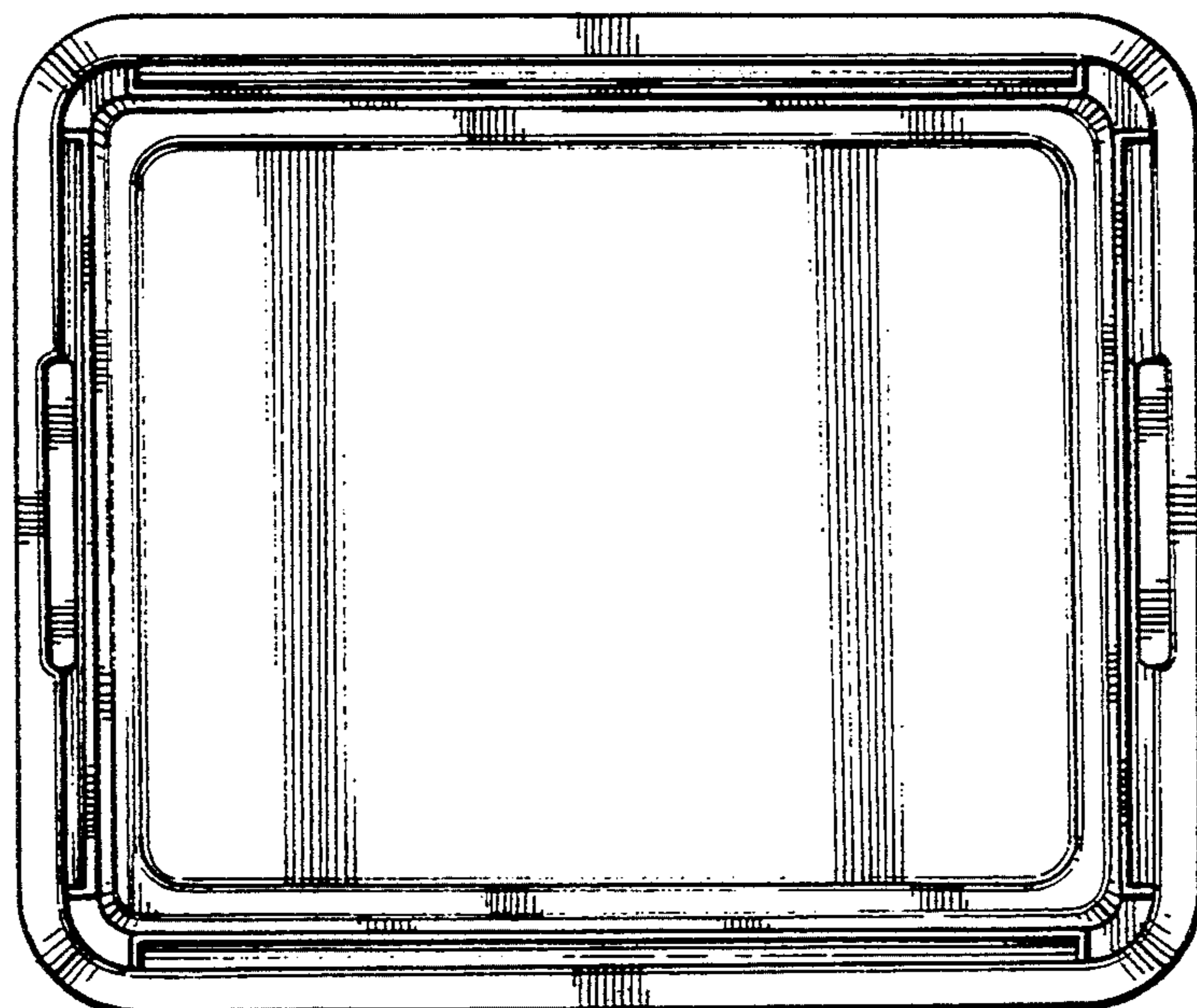


Fig-2

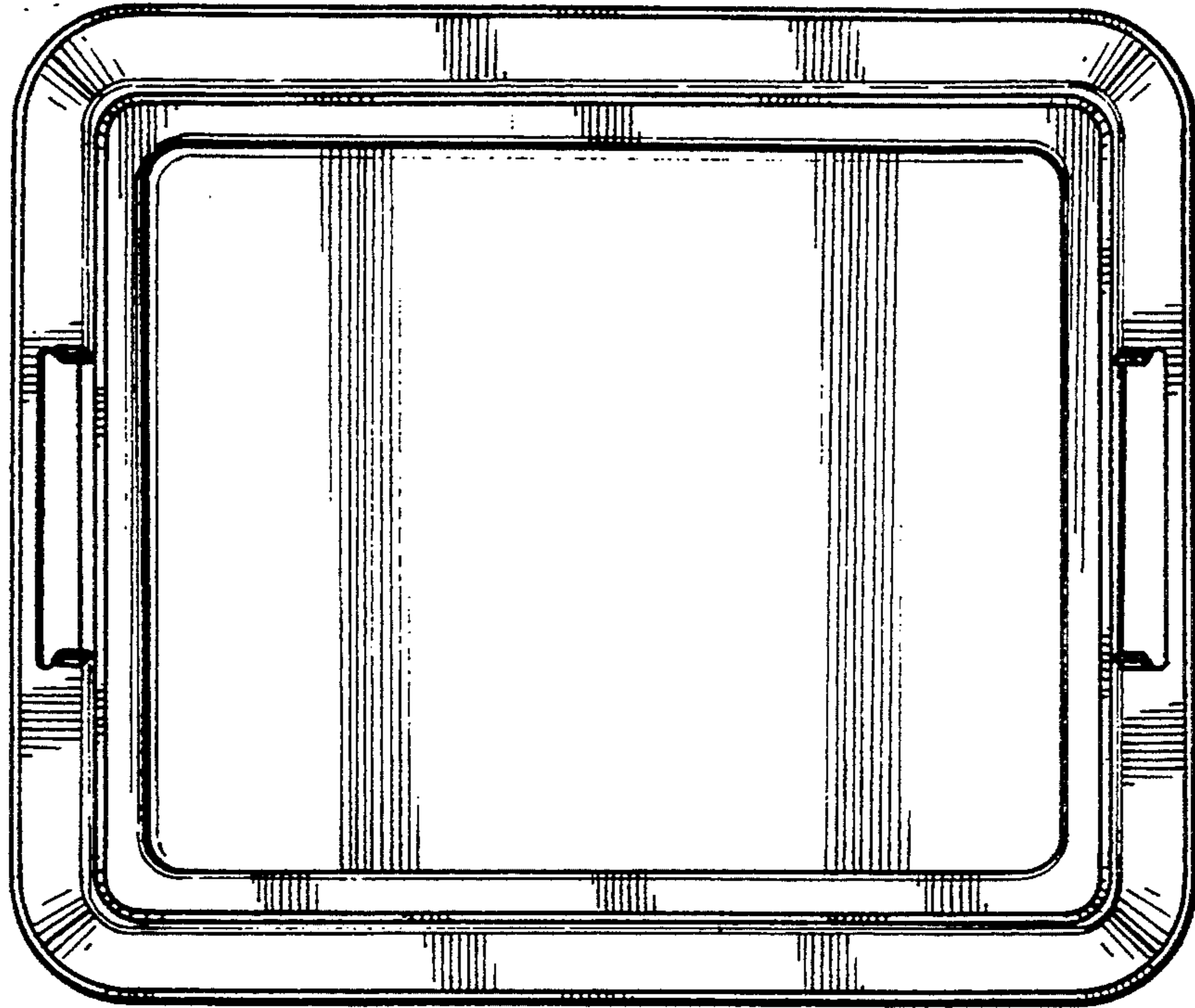


Fig-3

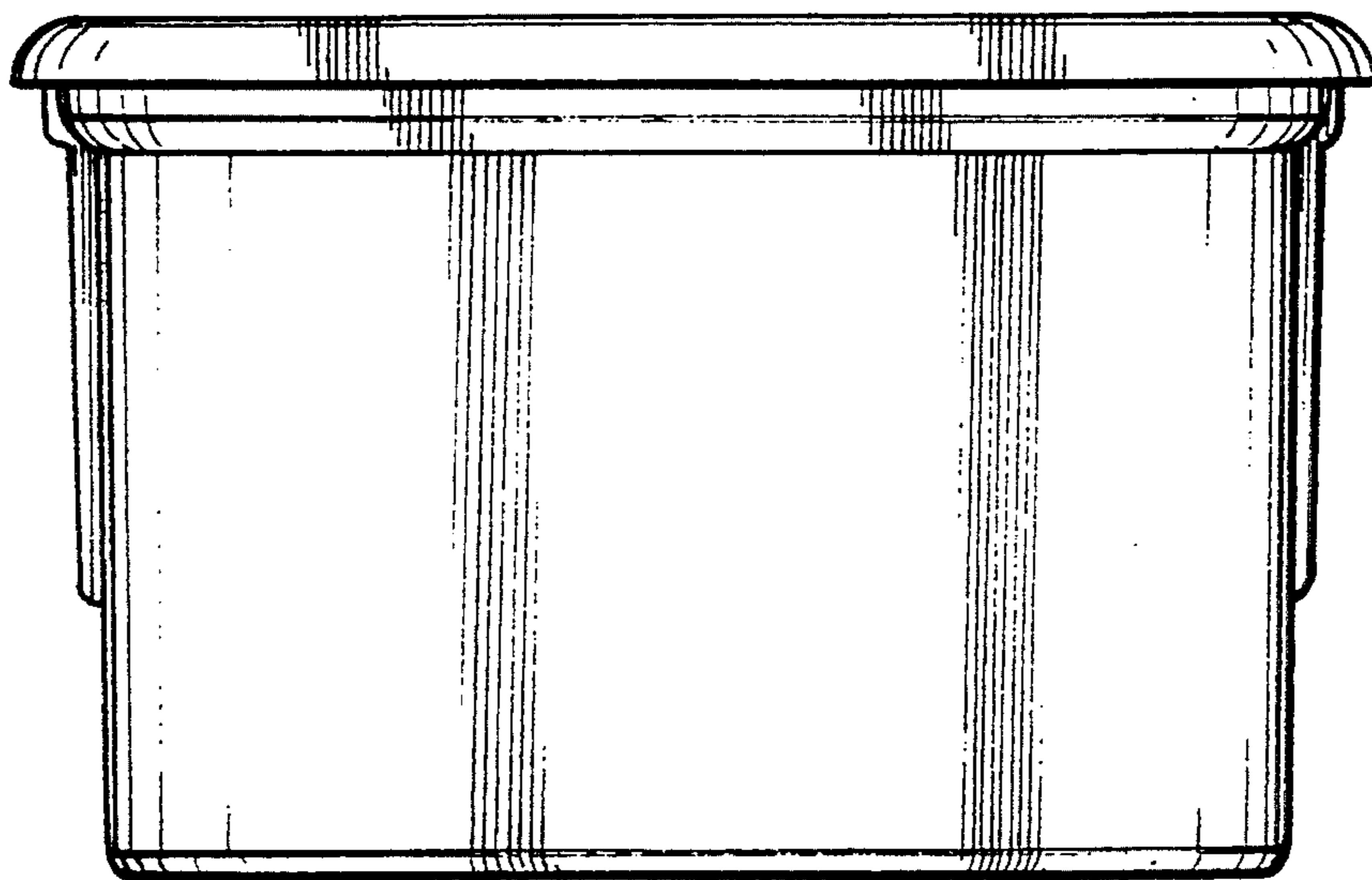


Fig-4

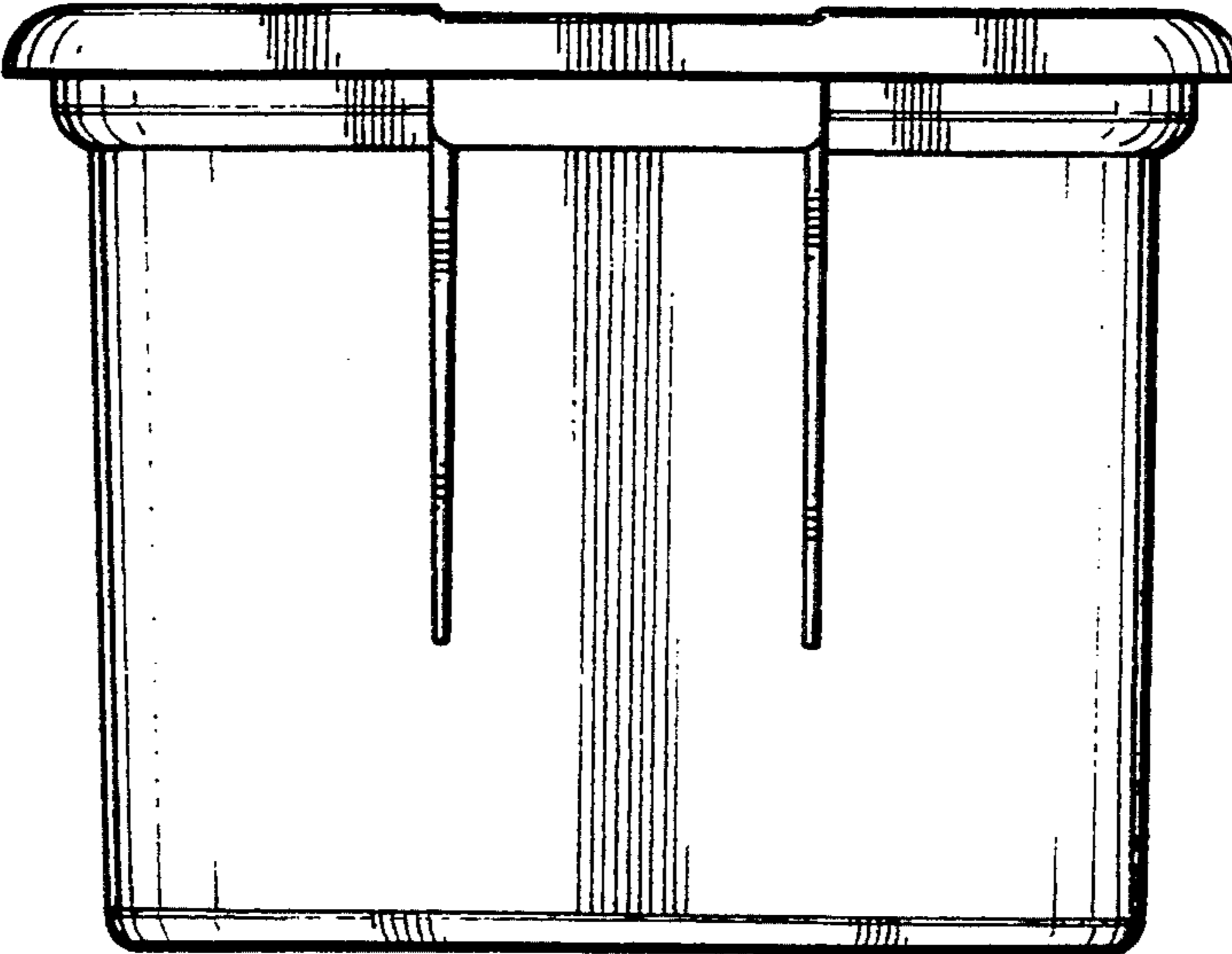


Fig-5