



US00D360892S

United States Patent [19]

[11] Patent Number: **Des. 360,892**

Birkholz et al.

[45] Date of Patent: **** Aug. 1, 1995**

[54] **CARRIAGE FOR A ROTARY BLADE PAPER TRIMMER**

5,287,783 2/1994 Mori 83/485
5,322,001 6/1994 Boda 83/485

[75] Inventors: **Douglas J. Birkholz, DeForest; James C. Boda, Merrimac, both of Wis.**

FOREIGN PATENT DOCUMENTS

1428170 1/1966 France 83/485
719649 3/1942 Germany 83/485
2158890 5/1973 Germany 83/485
670418 9/1967 Netherlands 83/614
1563 2/1887 United Kingdom 83/614

[73] Assignee: **Fiskars Inc., Wausau, Wis.**

[**] Term: **14 Years**

Primary Examiner—Cathy Anne MacCormac
Attorney, Agent, or Firm—Foley & Lardner

[21] Appl. No.: **23,290**

[57] CLAIM

[22] Filed: **May 23, 1994**

The ornamental design for a carriage for a rotary blade paper trimmer, as shown and described.

[52] U.S. Cl. **D18/34**

[58] Field of Search 241/236, 169.1, 100;
83/485, 588, 614; D19/72; D15/127; D18/34,
99

DESCRIPTION

[56] References Cited

U.S. PATENT DOCUMENTS

D. 317,939 7/1991 Judd et al. D18/34
D. 319,840 9/1991 Hatsumi et al. D18/34
821,681 5/1906 Vandermark 83/485
4,379,419 4/1983 Woock et al. 83/614
4,967,628 11/1990 Judd et al. 83/614
5,036,740 8/1991 Tsai 83/614
5,044,241 9/1991 Labrecque 83/614
5,069,097 12/1991 Mori 83/588

FIG. 1 is a front perspective view of the carriage showing our new design;

FIG. 2 is a top plan view thereof;

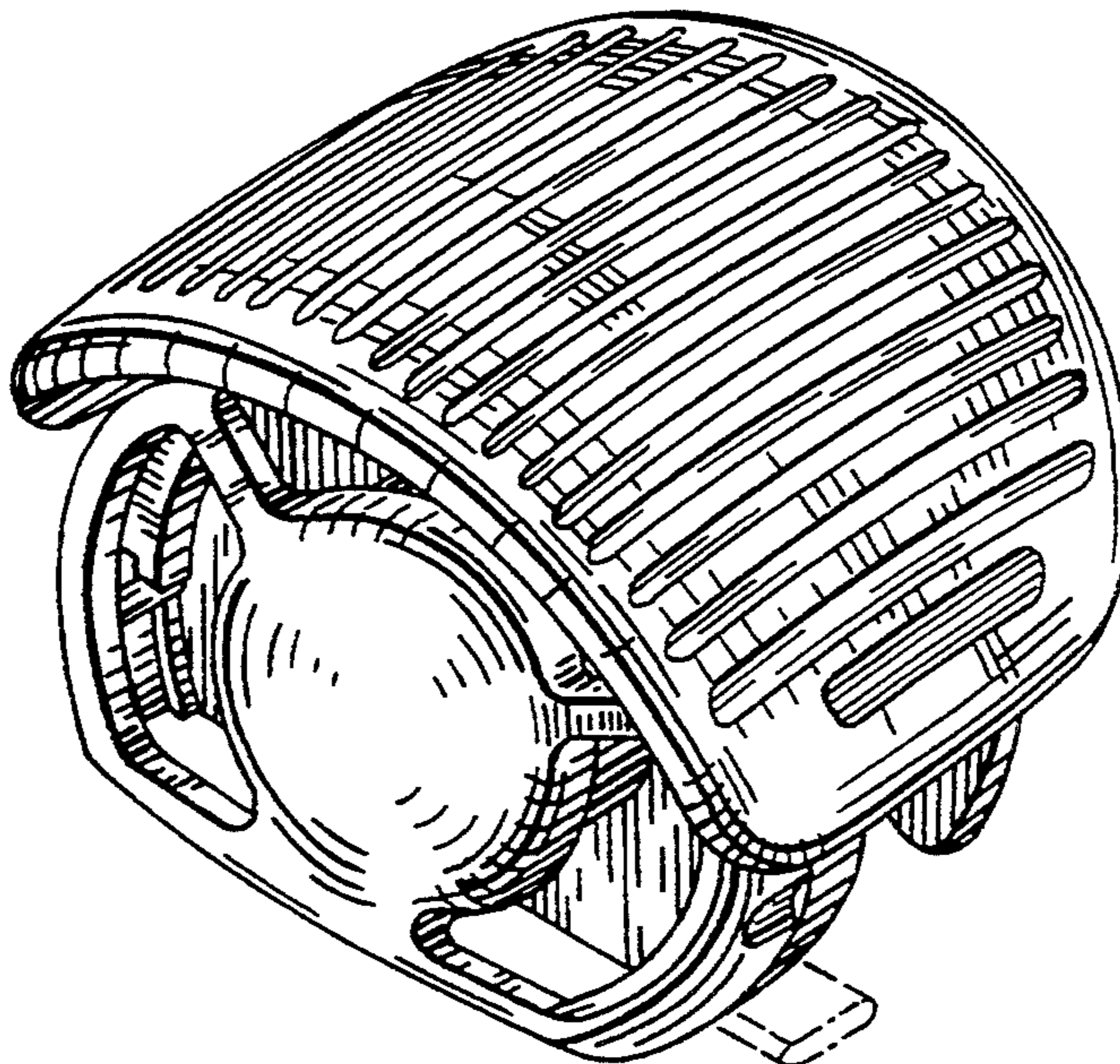
FIG. 3 is a front elevational view thereof;

FIG. 4 is a rear elevational view thereof;

FIG. 5 is a bottom plan view thereof; and,

FIG. 6 is a right side elevational view thereof, the left side elevational view is a mirror image in reverse thereof.

The broken lines are for illustrative purposes only and form no part of the claimed design.



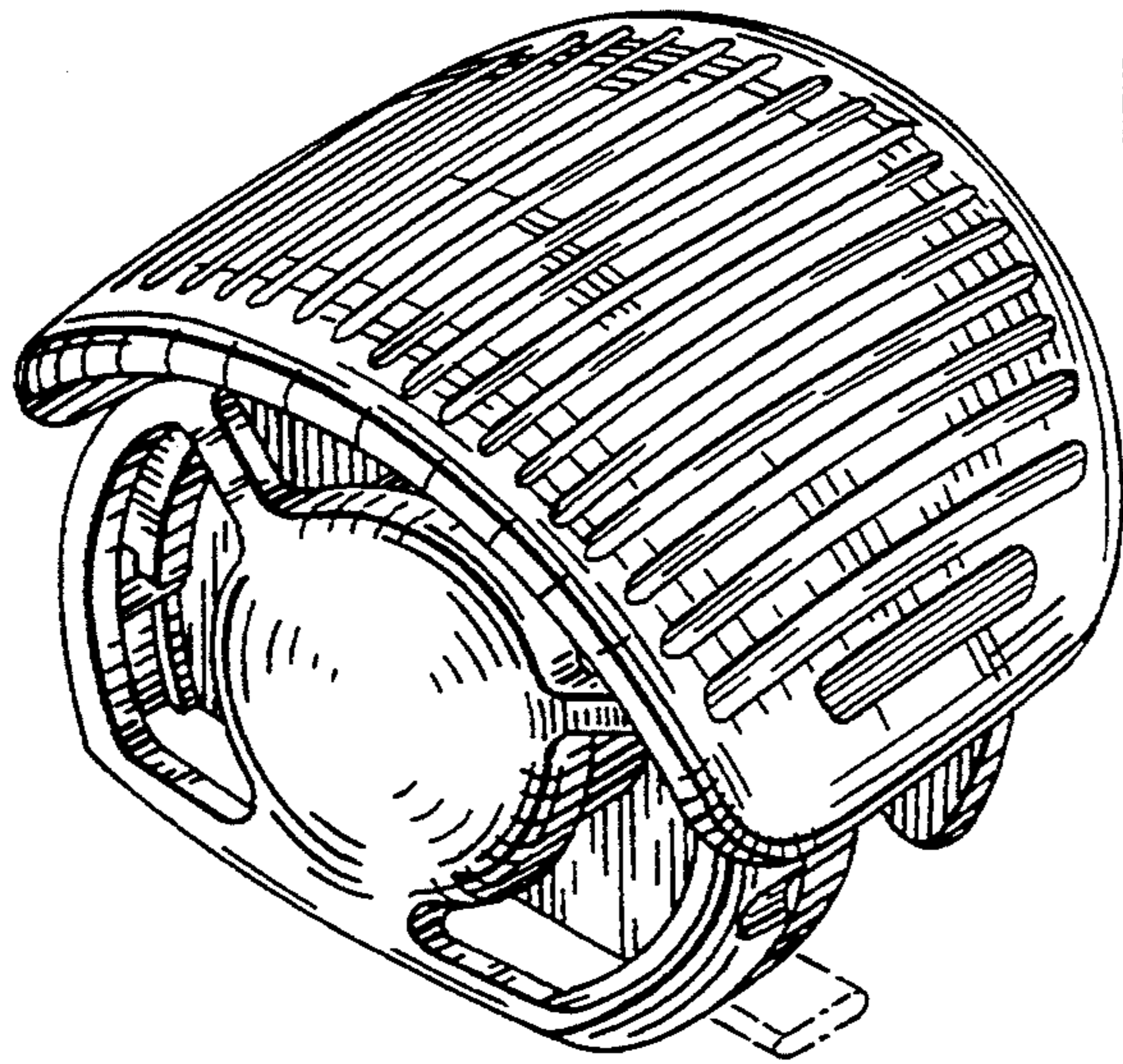


FIG. 1

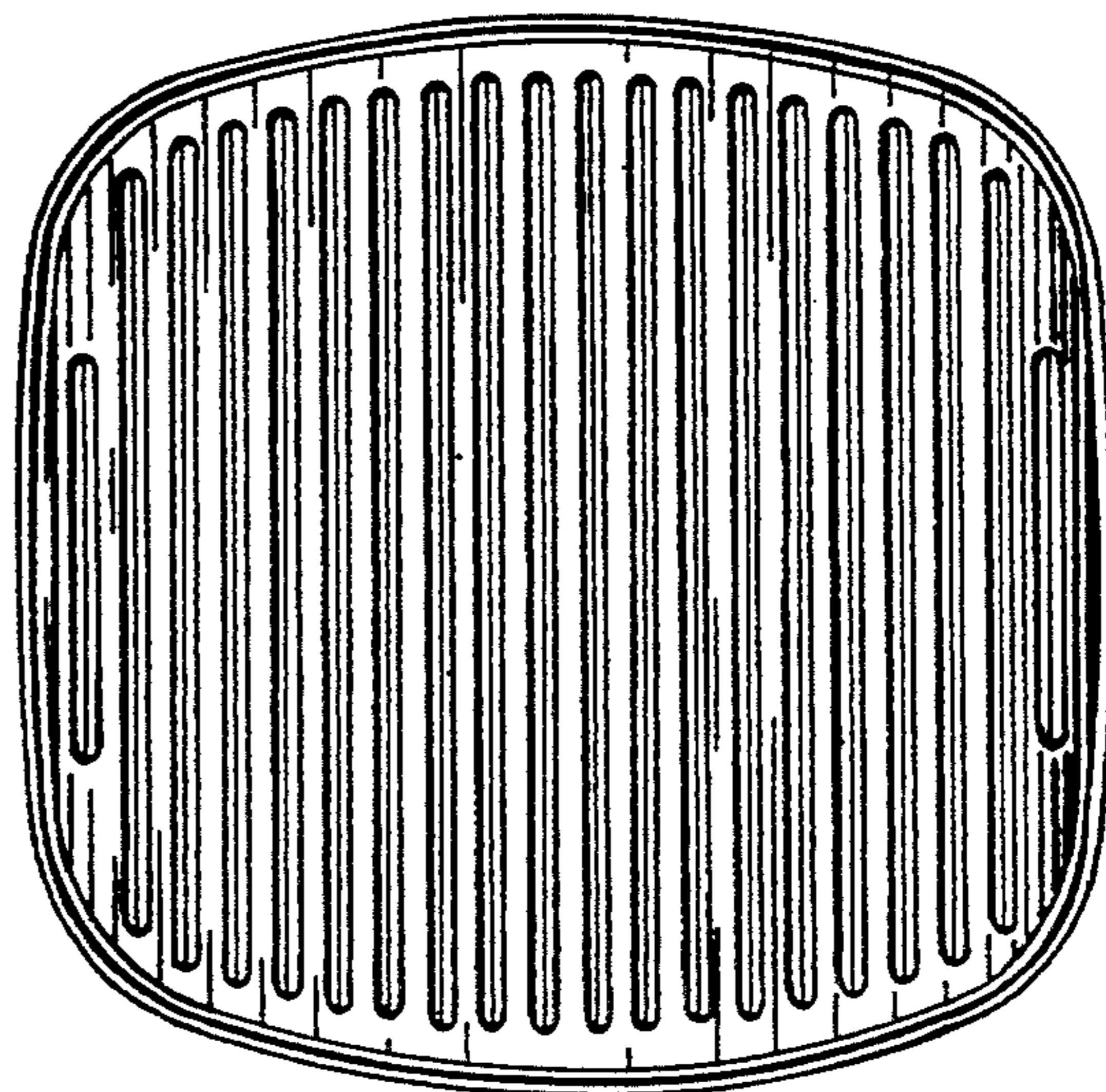


FIG. 2

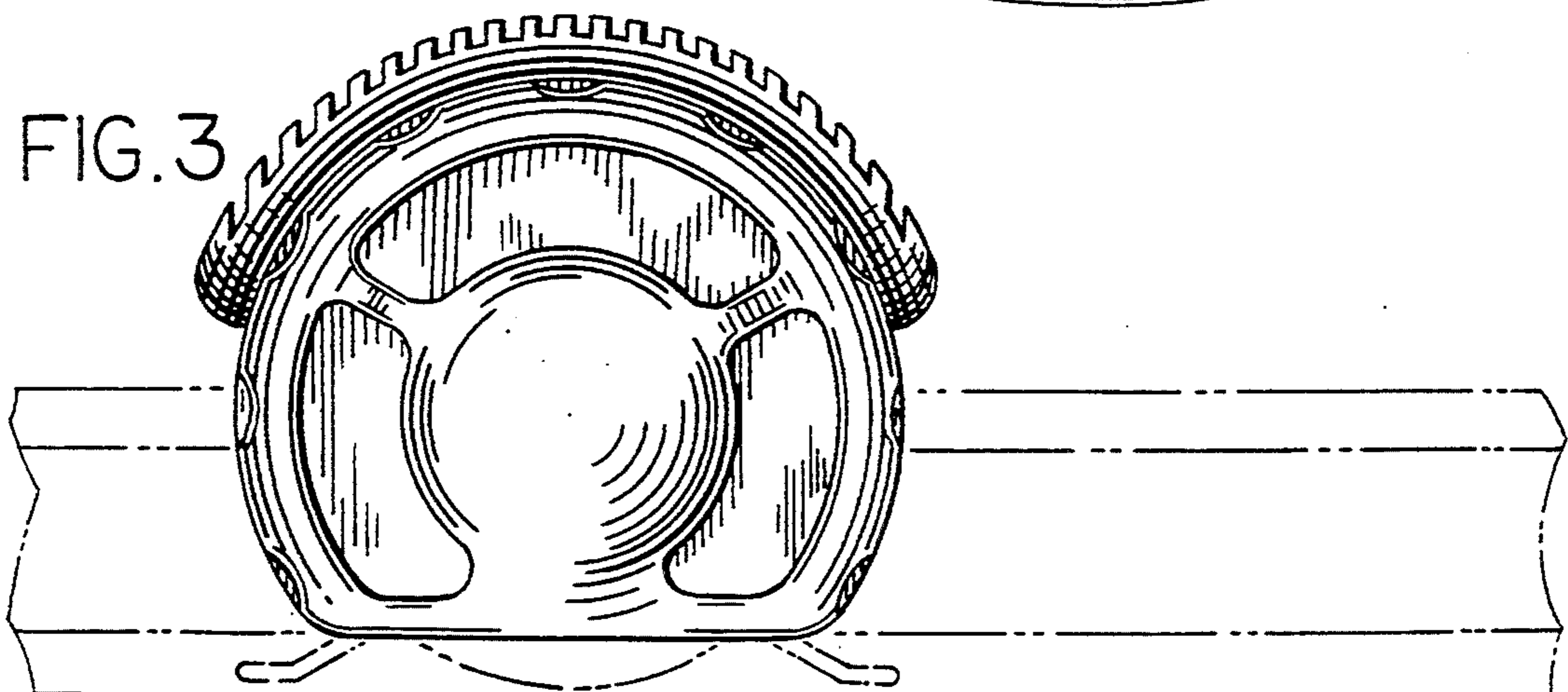


FIG. 3

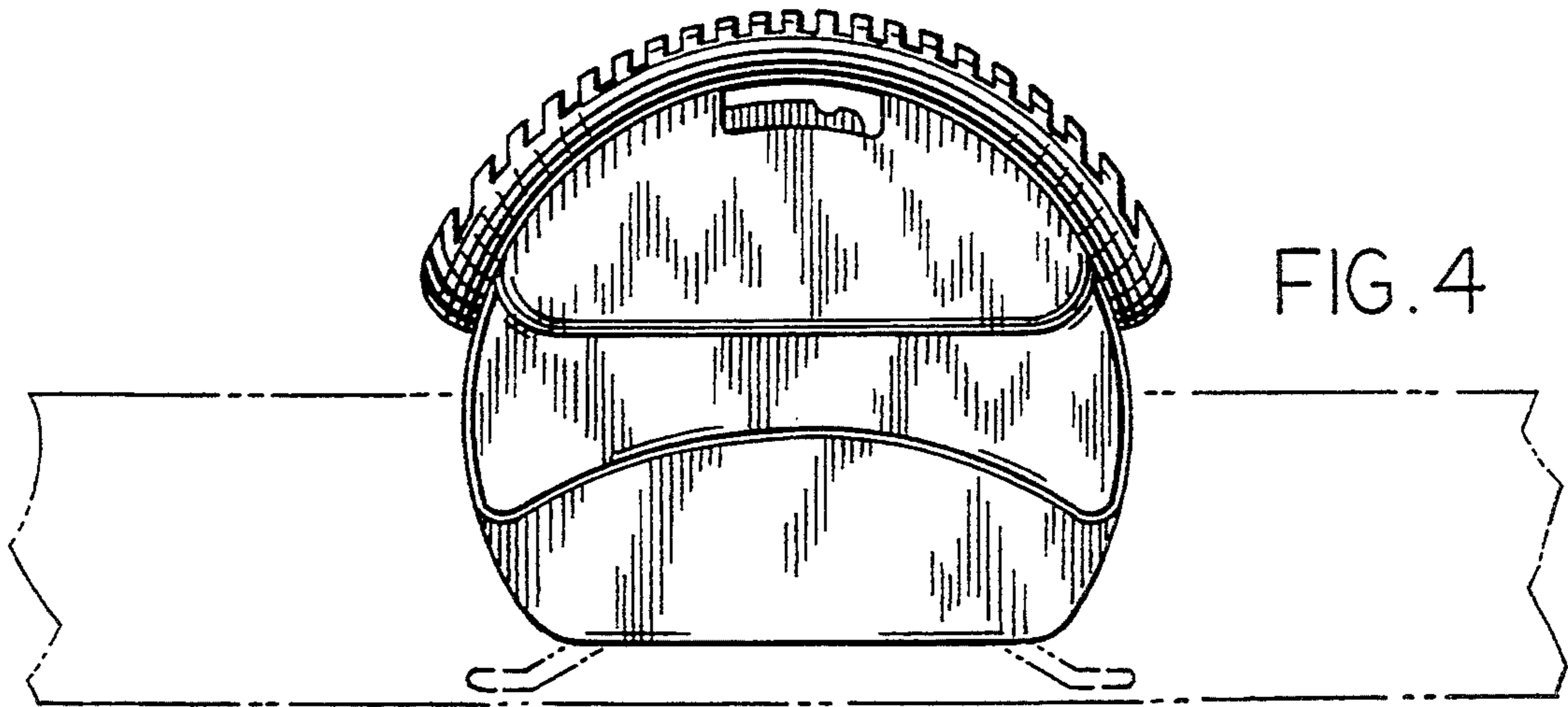


FIG. 4

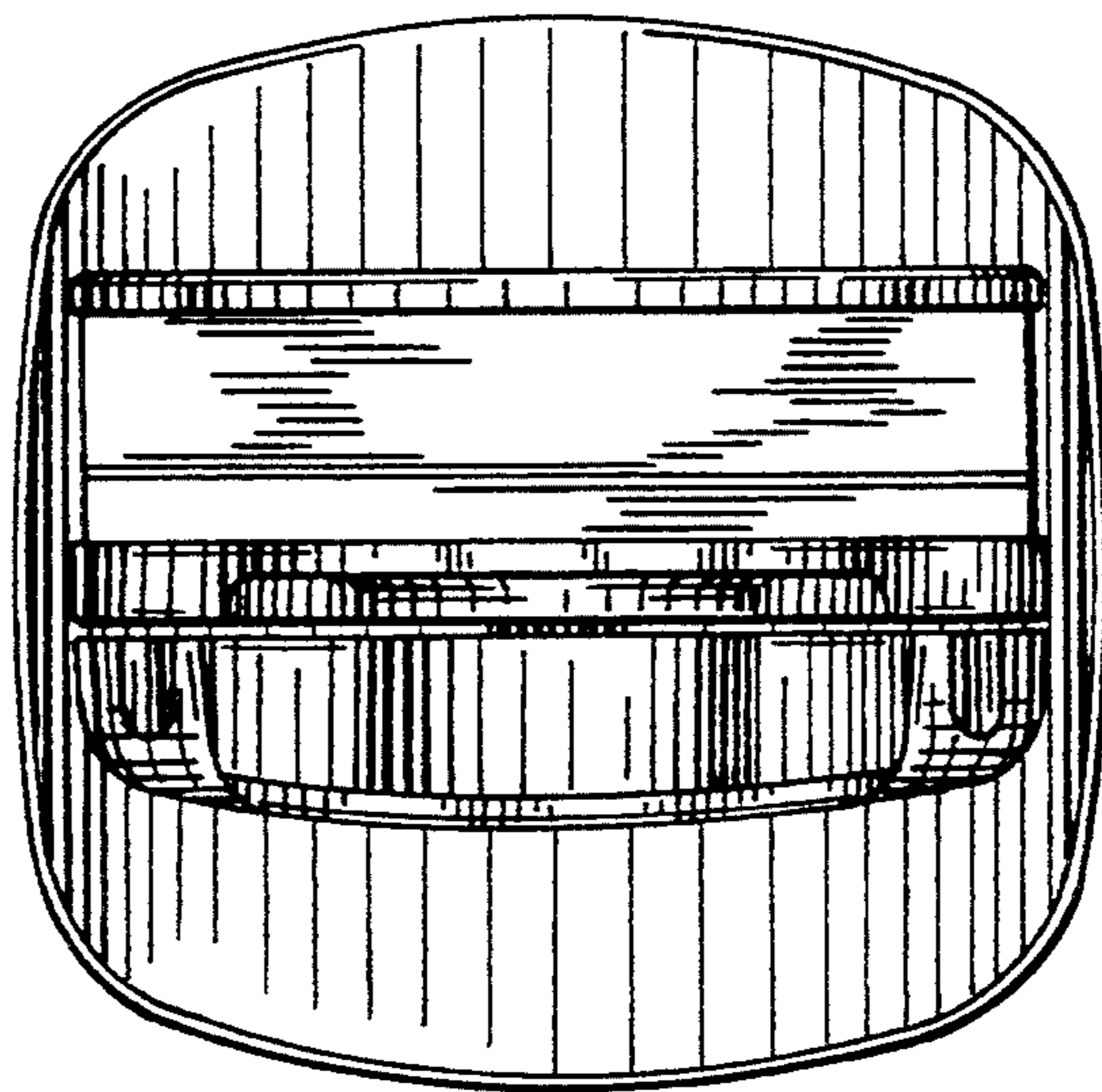


FIG. 5

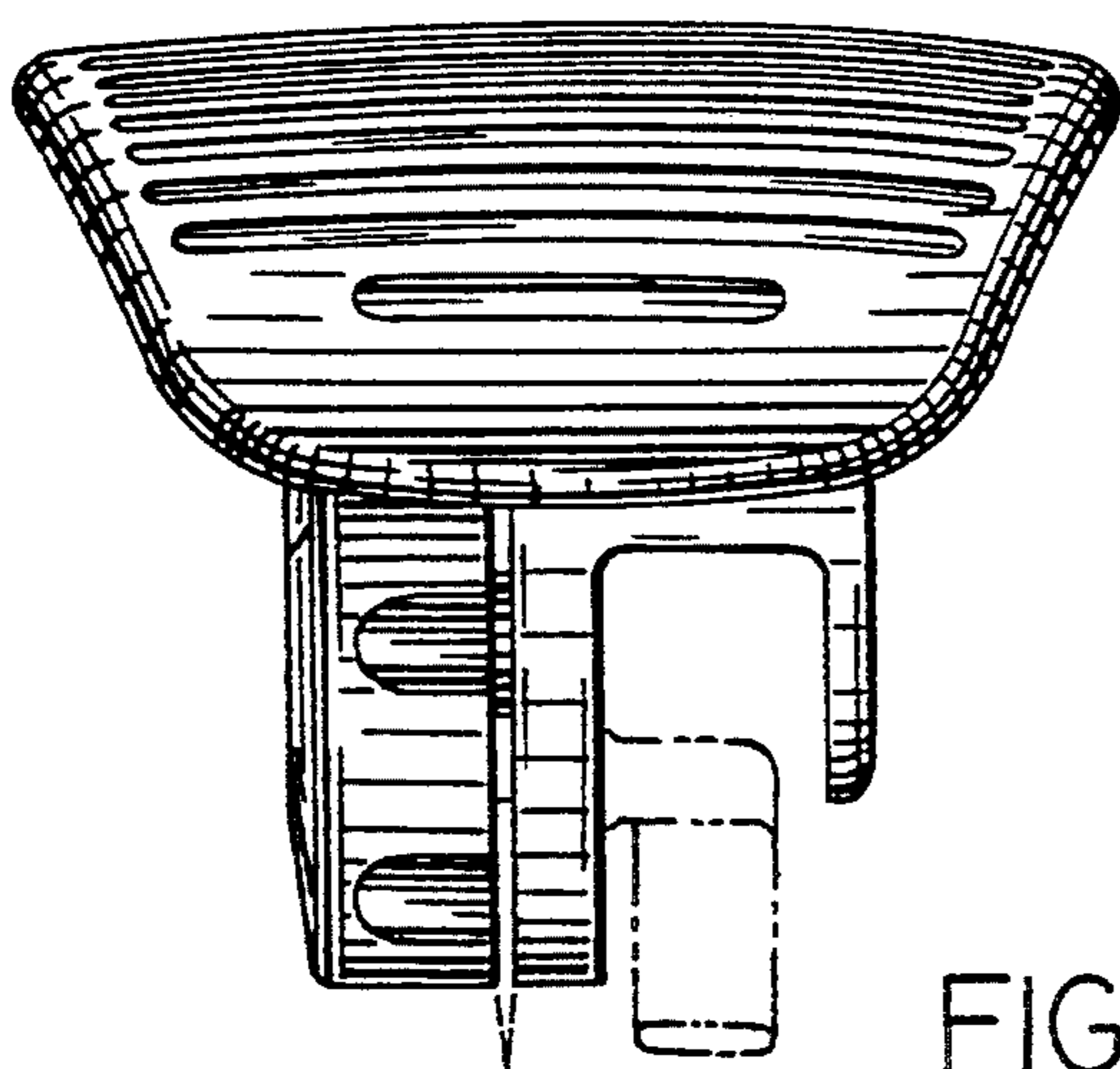


FIG. 6